

US00D761682S

(12) **United States Design Patent**
Lowery

(10) **Patent No.:** **US D761,682 S**
(45) **Date of Patent:** **** Jul. 19, 2016**

- (54) **CLOCK OR THERMOMETER STAND**
- (71) Applicant: **Robert Lowery**, Conway, SC (US)
- (72) Inventor: **Robert Lowery**, Conway, SC (US)
- (**) Term: **15 Years**
- (21) Appl. No.: **29/549,519**
- (22) Filed: **Dec. 22, 2015**

Related U.S. Application Data

- (62) Division of application No. 29/535,326, filed on Aug. 5, 2015.
- (51) **LOC (10) Cl.** **10-07**
- (52) **U.S. Cl.**
USPC **D10/128**; D10/24; D10/23
- (58) **Field of Classification Search**
USPC D10/1-29, 122-132, 51, 52, 57;
D19/86, 88, 90, 91; D20/10, 19, 22,
D20/27, 28, 40, 43; D6/300, 302, 309, 310,
D6/314
CPC G04B 29/00; G04B 37/00; G04B 37/14;
G04B 37/1473; G01K 5/00; G01K 5/62;
G02B 26/0825; G09F 3/00; G09F 2003/0254;
G09F 9/305; G08B 7/00; G08B 7/06; G04G
17/00; G04G 17/08; G04G 17/086
See application file for complete search history.

(56) **References Cited**

U.S. PATENT DOCUMENTS

D37,411 S *	4/1905	McGraw	D10/128
D45,393 S *	3/1914	Milburn	D10/128
D100,771 S *	8/1936	Guild	D10/102
D106,039 S *	9/1937	Hentschel	D10/1
D106,040 S *	9/1937	Hentschel	D10/1
2,447,382 A *	8/1948	Whittier	G01K 5/62 374/187
D158,096 S *	4/1950	Kaufman	D10/128
D182,846 S *	5/1958	Olsen	D10/51
D201,452 S *	6/1965	Shipley	D10/26
D204,621 S *	5/1966	Wildgen	D10/57

3,421,239 A *	1/1969	Smith	G09D 1/00 283/101
3,623,793 A *	11/1971	Merten	G02B 26/0825 359/846
D236,657 S *	9/1975	Reeves	D20/22
D242,329 S *	11/1976	Van Kersen	D10/57
D259,184 S *	5/1981	Francis	D10/15
D274,703 S *	7/1984	Vogel	D10/15
D279,268 S *	6/1985	Henkels	D10/26
D279,764 S *	7/1985	Rhoades	D10/23
D297,217 S *	8/1988	Wolff	D10/53
D320,622 S *	10/1991	Yasika	D20/18
5,103,581 A *	4/1992	Novak	G09F 9/305 362/554
D329,609 S *	9/1992	Wolff	D10/15
D362,123 S *	9/1995	Johnston	D6/303
D363,433 S *	10/1995	Caraballo	D10/18
D381,917 S *	8/1997	McCue	D10/23
D394,814 S *	6/1998	Chen	D10/2
D447,423 S *	9/2001	Chan	D10/6
D458,970 S *	6/2002	McCarthy	D20/22

(Continued)

Primary Examiner — Martie K Holtje
(74) *Attorney, Agent, or Firm* — QuickPatents, LLC; Kevin Prince

(57) **CLAIM**

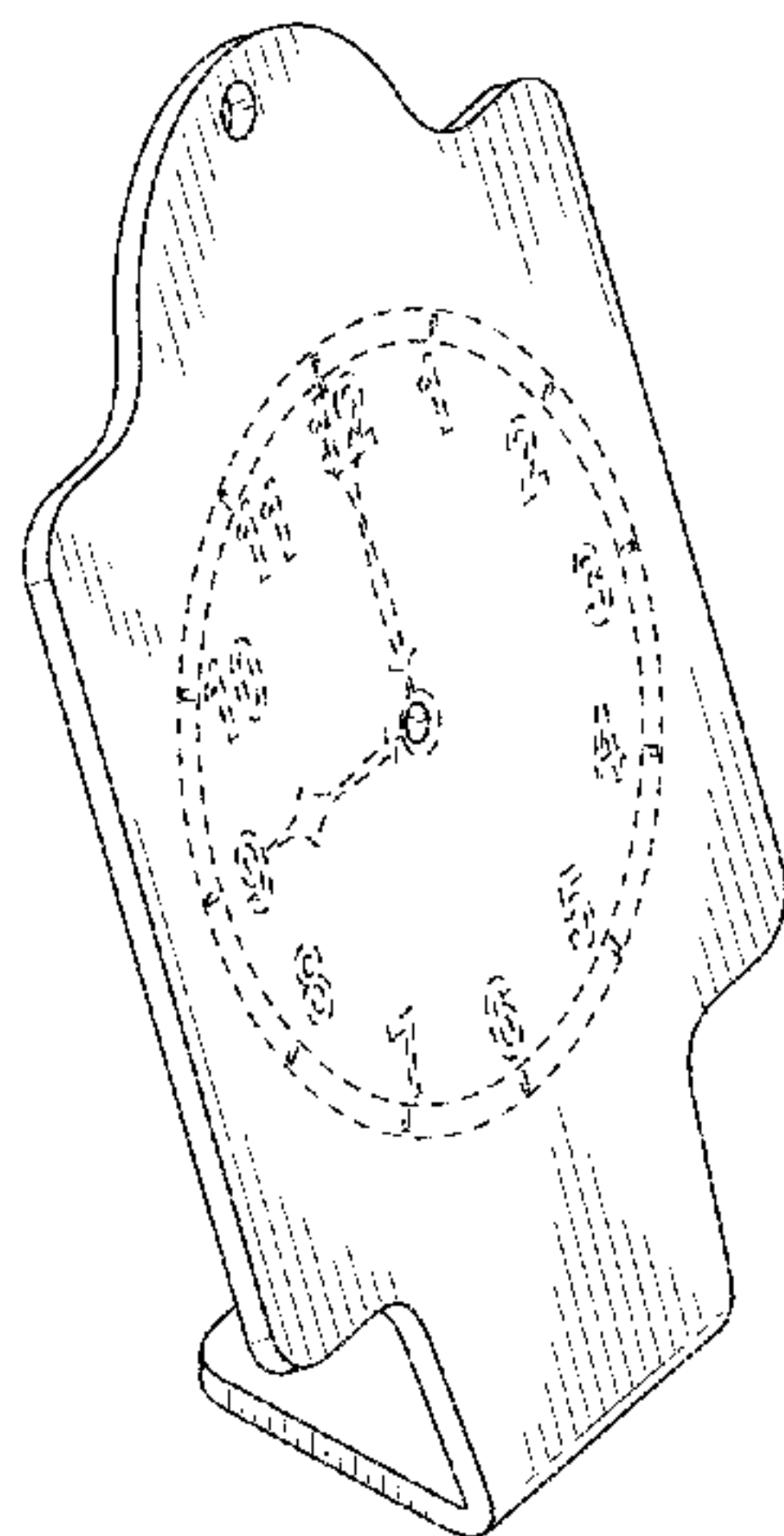
I claim the ornamental design for a clock or thermometer stand, as shown and described.

DESCRIPTION

FIG. 1 is a left front elevational view of a clock or thermometer stand showing my new design;
 FIG. 2 is a right rear perspective view thereof;
 FIG. 3 is a front elevational view thereof;
 FIG. 4 is a rear elevational view thereof;
 FIG. 5 is left side elevational view, the right side elevational view being a mirror image thereof;
 FIG. 6 is a top plan view thereof; and,
 FIG. 7 is a bottom plan view thereof.

The clock face depicted by broken lines in FIG. 1 has been shown for the purpose of illustrating environment that forms no part of the claimed design.

1 Claim, 3 Drawing Sheets



(56)

References Cited

U.S. PATENT DOCUMENTS

D511,110 S	*	11/2005	Rodela	D10/40	7,712,263 B1 *	5/2010	Lippie	E04B 1/72
D531,062 S	*	10/2006	Bhavnani	D10/23				52/101
D578,164 S	*	10/2008	Ingle	D20/27	D622,995 S *	9/2010	Beraha	D20/27
D588,823 S	*	3/2009	Butcher	D6/309	2004/0160333 A1 *	8/2004	Elliott	G08B 7/06
								340/815.4

* cited by examiner

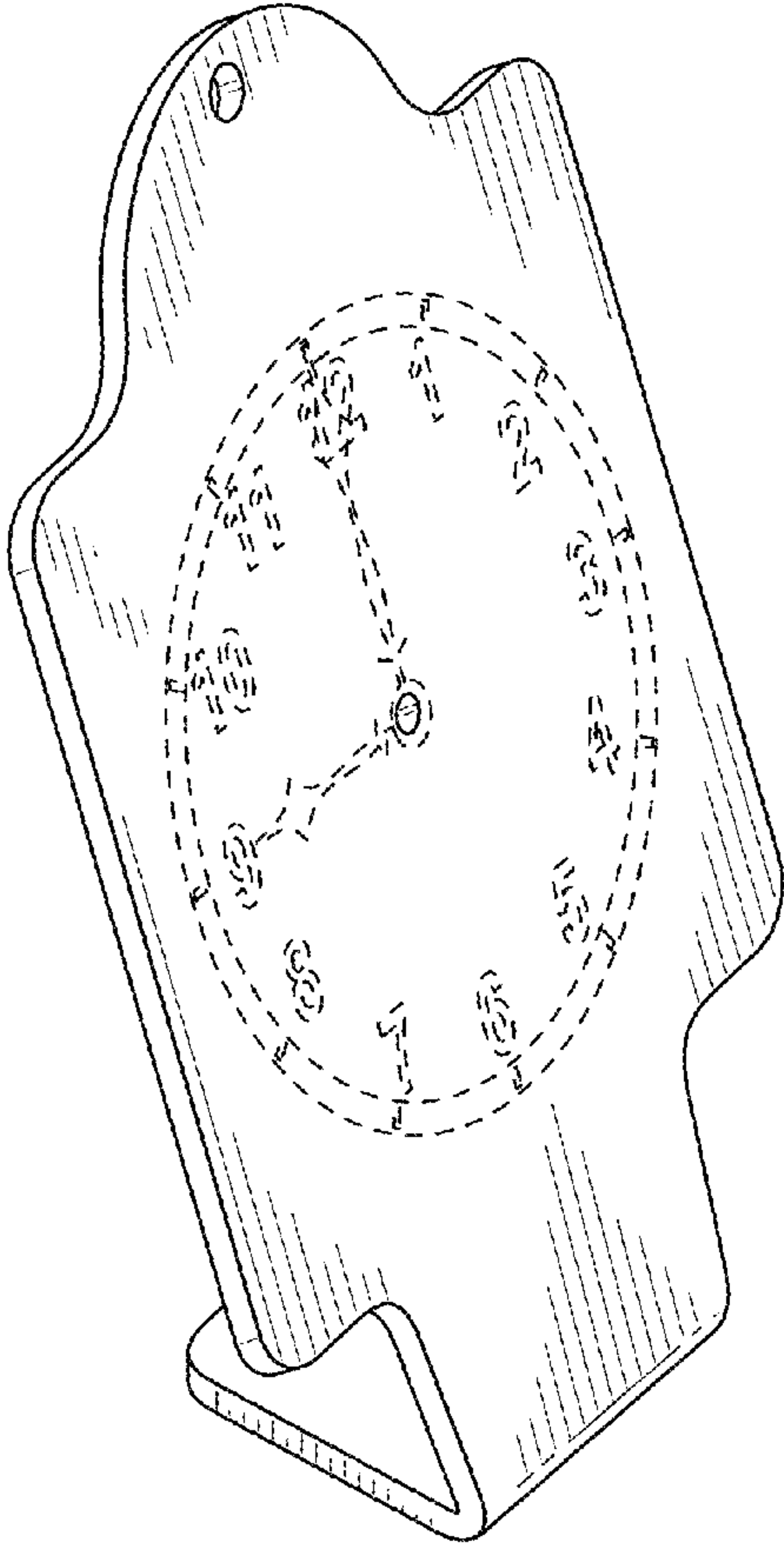


FIG. 1

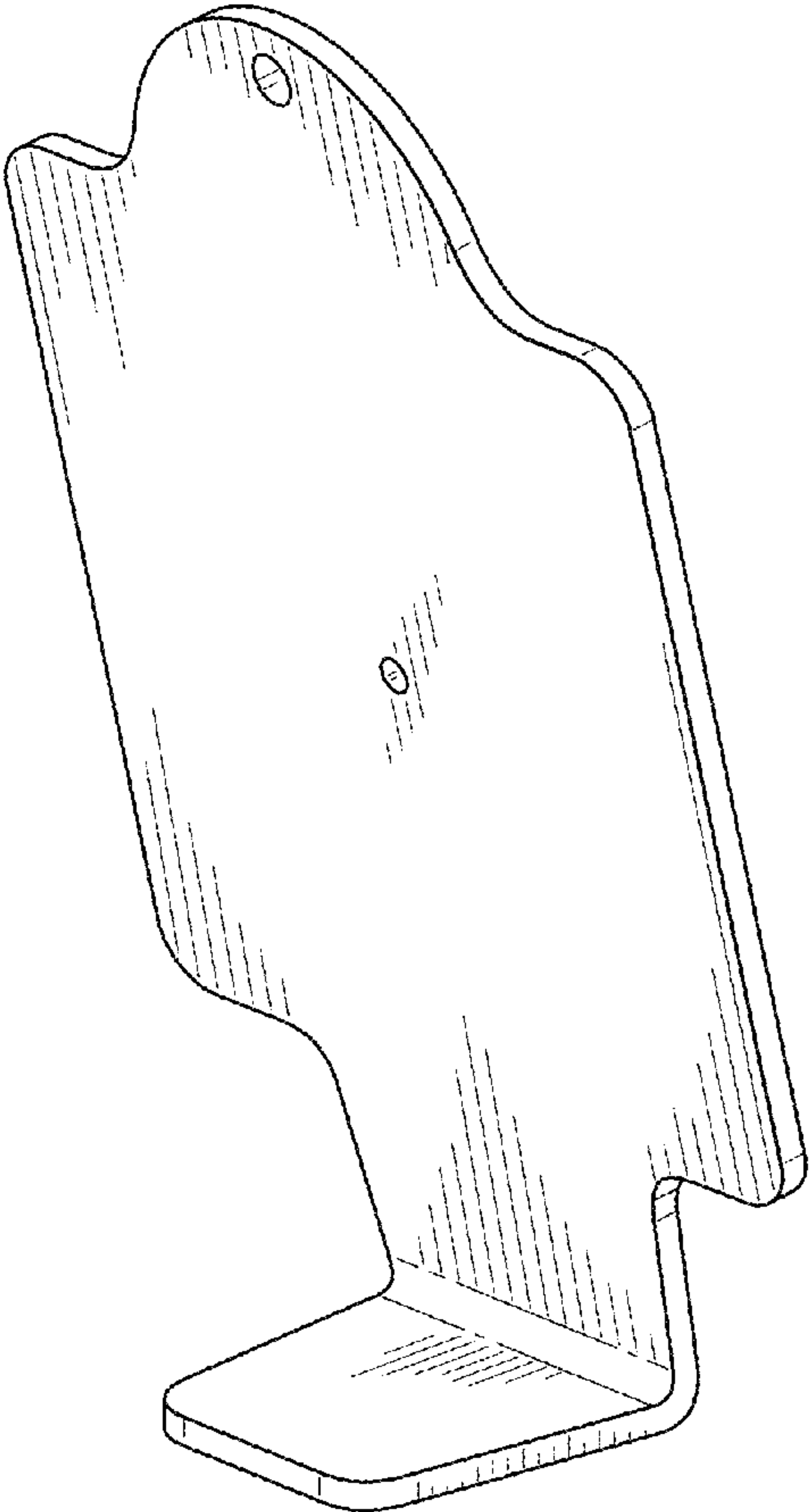


FIG. 2

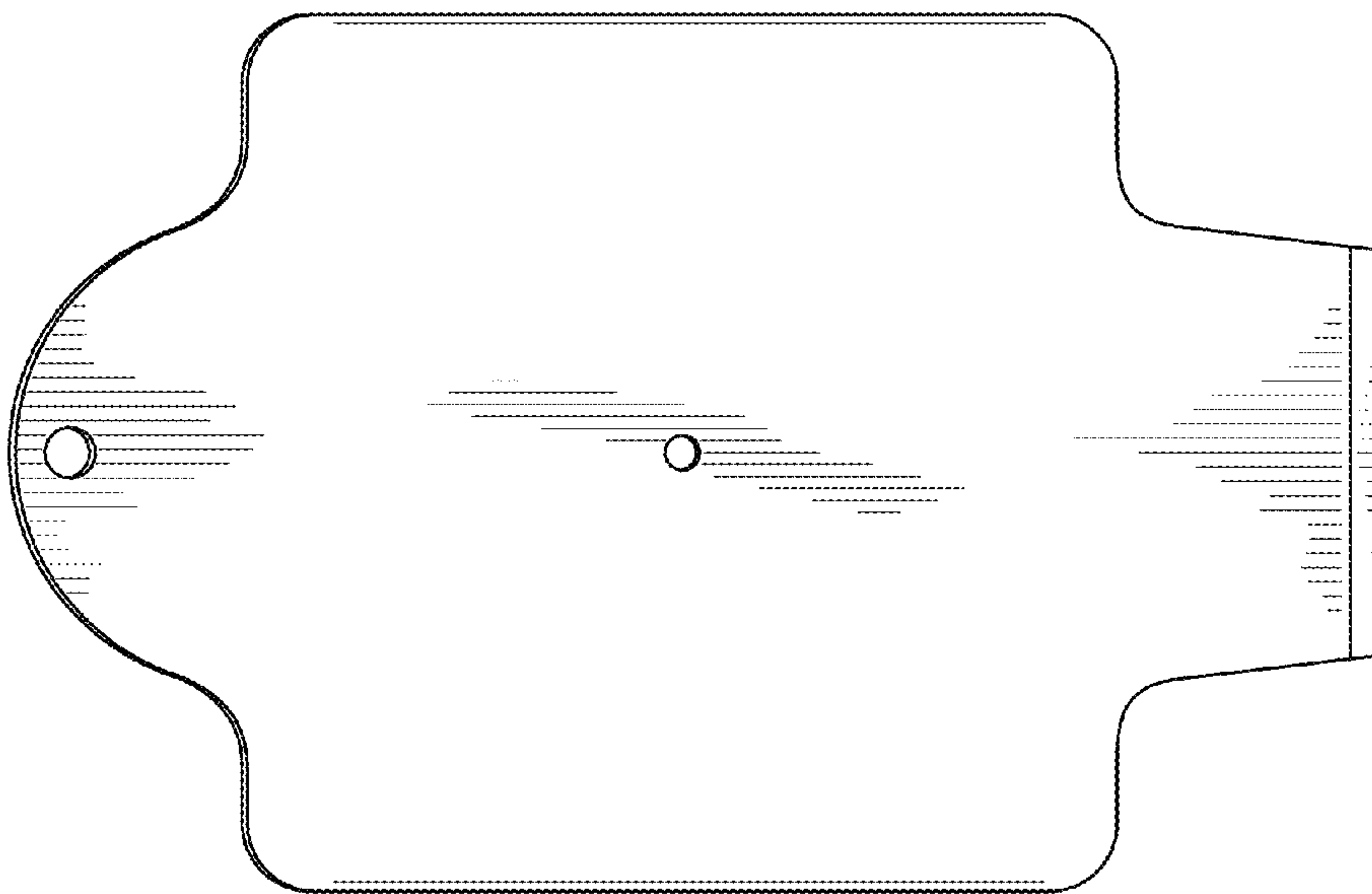


FIG. 4

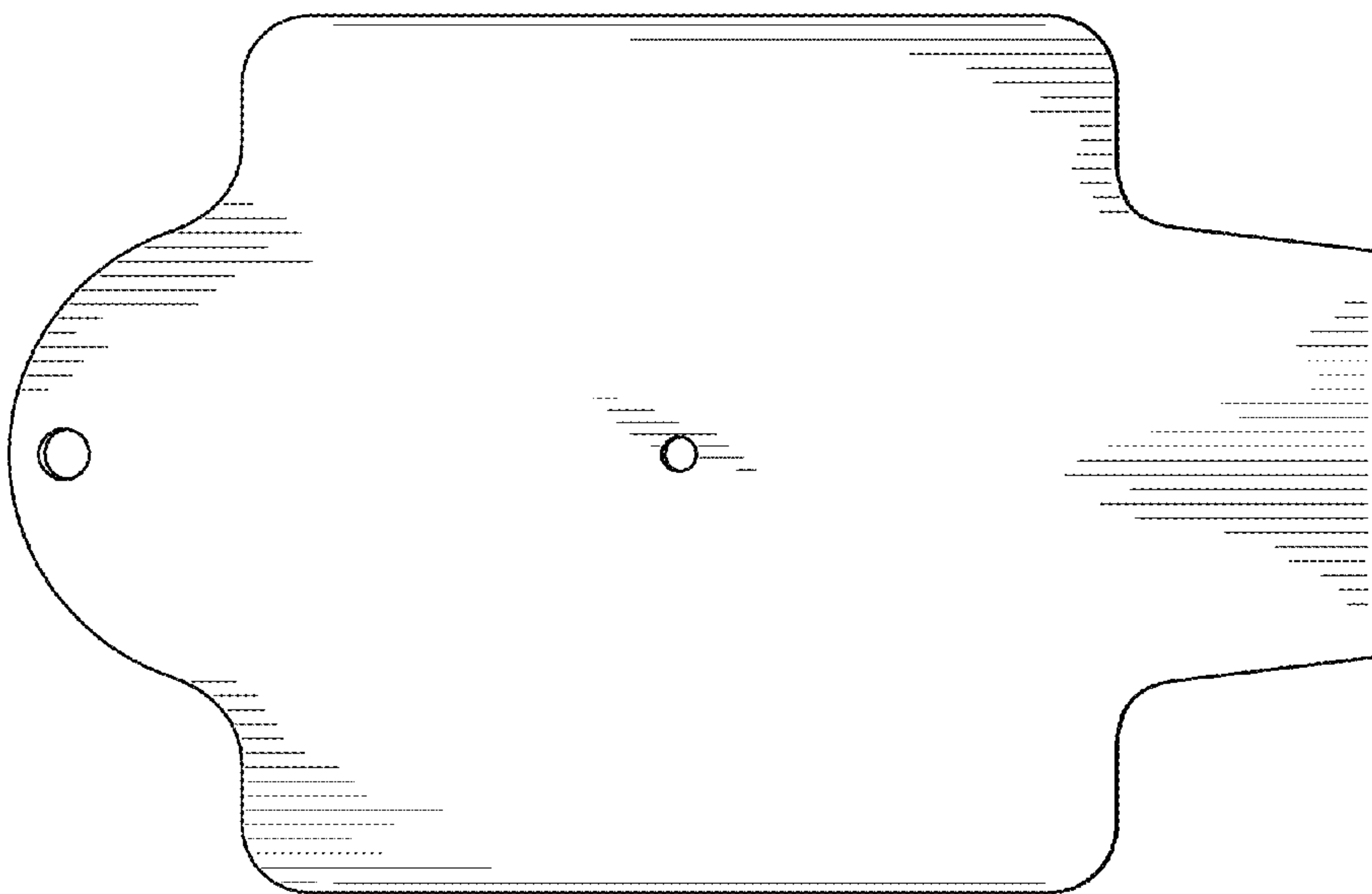


FIG. 3

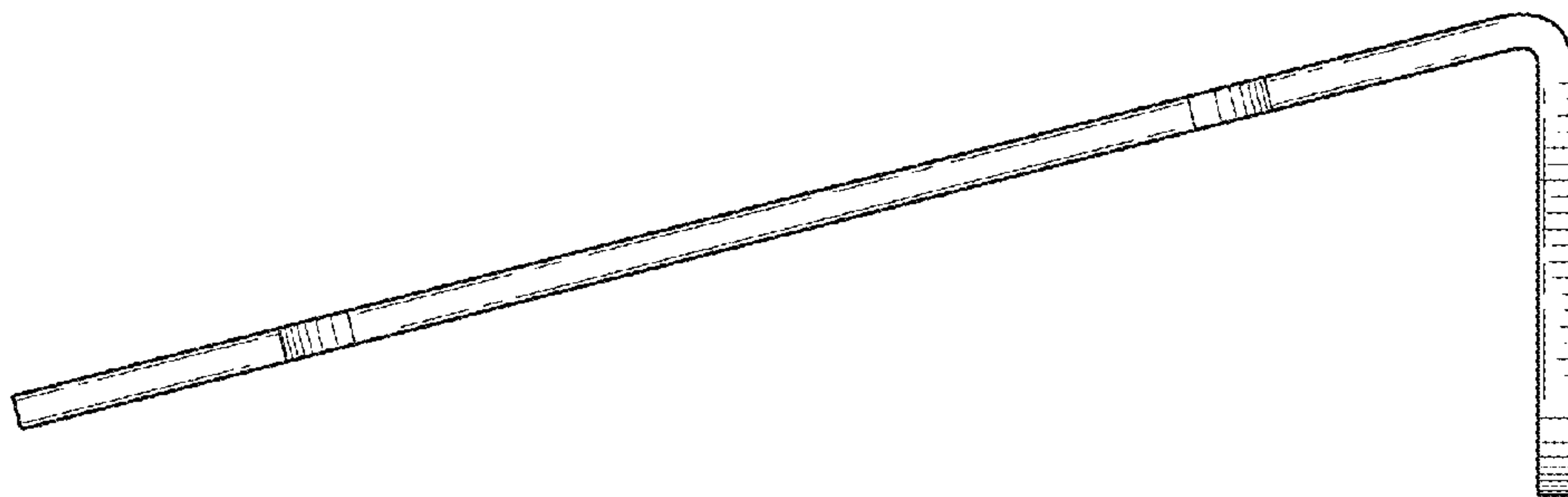


FIG. 5

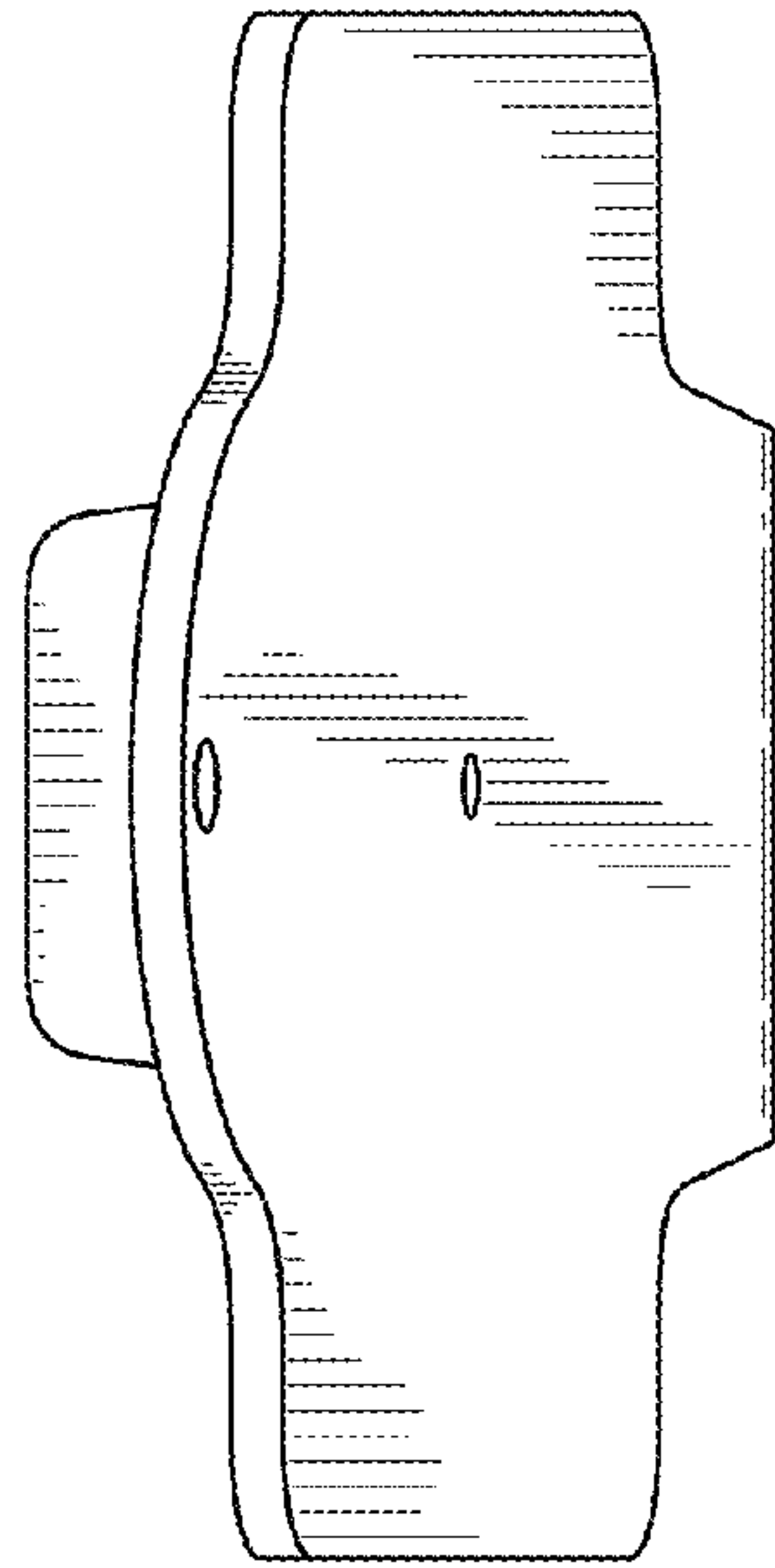


FIG. 6

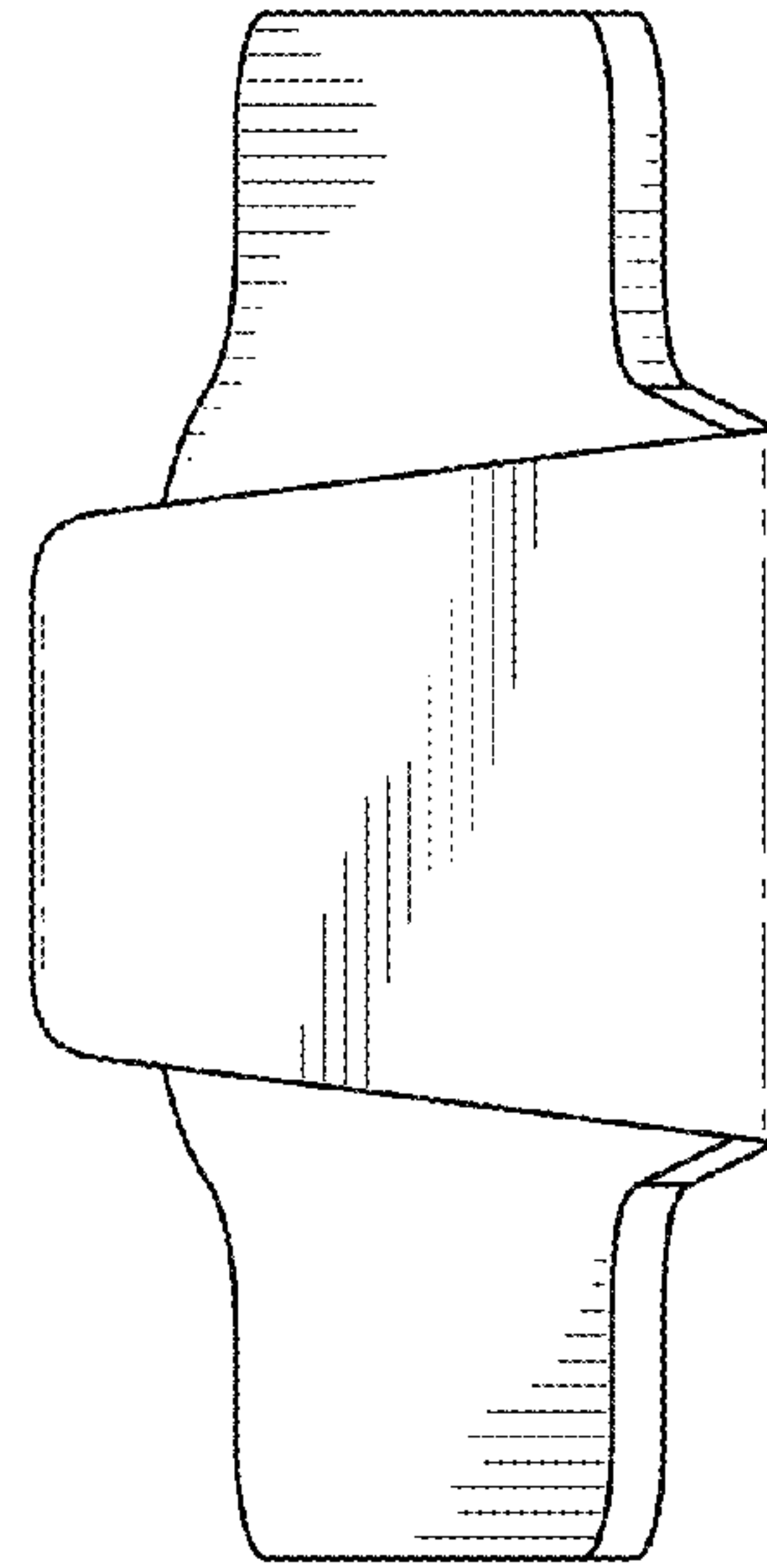


FIG. 7