



US00D761681S

(12) **United States Design Patent**
Engelbrecht

(10) **Patent No.:** **US D761,681 S**
(45) **Date of Patent:** **** Jul. 19, 2016**

- (54) **WATCH DIAL**
- (71) Applicant: **GLASHÜTTER UHRENBETRIEB GMBH**, Glashütte (DE)
- (72) Inventor: **Anika Engelbrecht**, Dresden (DE)
- (73) Assignee: **GLASHÜTTER UHRENBETRIEB GMBH**, Glashütte (DE)
- (**) Term: **15 Years**
- (21) Appl. No.: **29/536,351**
- (22) Filed: **Aug. 17, 2015**
- (30) **Foreign Application Priority Data**
Feb. 17, 2015 (WO) DM/085 628
- (51) **LOC (10) Cl.** **10-07**
- (52) **U.S. Cl.**
USPC **D10/126**
- (58) **Field of Classification Search**
USPC D10/1-39, 45, 122-132; 368/20-21, 368/28, 223; D11/44
CPC G04B 19/06; G04B 19/10; G04B 19/12; G04B 19/08; G04B 19/103; G04B 19/106; G04B 47/042; G04G 9/087
See application file for complete search history.

D685,279	S	*	7/2013	de Haas	D10/126
D685,281	S	*	7/2013	Hamel	D10/126
D695,637	S	*	12/2013	Jacquerye	D10/39
D698,687	S	*	2/2014	Boulangéot	D10/126
D698,688	S	*	2/2014	Boulangéot	D10/126
D710,735	S	*	8/2014	Monachon	D10/126
D723,408	S	*	3/2015	Ruffieux	D10/126
D736,654	S	*	8/2015	Monachon	D10/126
D744,863	S	*	12/2015	Behling	D10/126
D745,834	S	*	12/2015	Behling	D10/126
D747,994	S	*	1/2016	Stegmann	D10/125
D752,467	S	*	3/2016	Schneider	D10/126
D752,468	S	*	3/2016	Schneider	D10/126
2008/0219105	A1	*	9/2008	Vaughn	G04B 19/00 368/223
2011/0032802	A1	*	2/2011	Muller	G04B 19/23 368/22
2011/0063953	A1	*	3/2011	Hasegawa	G04C 3/143 368/80
2011/0222378	A1	*	9/2011	Vuille	G04B 19/065 368/232
2013/0148484	A1	*	6/2013	Jeanrenaud	G04B 19/14 368/232

* cited by examiner

Primary Examiner — Rosemary K Tarcza

Assistant Examiner — James Thorn, Sr.

(74) *Attorney, Agent, or Firm* — Donald J. Ranft; Kristen A. Mogavero; Collen IP

(57) **CLAIM**

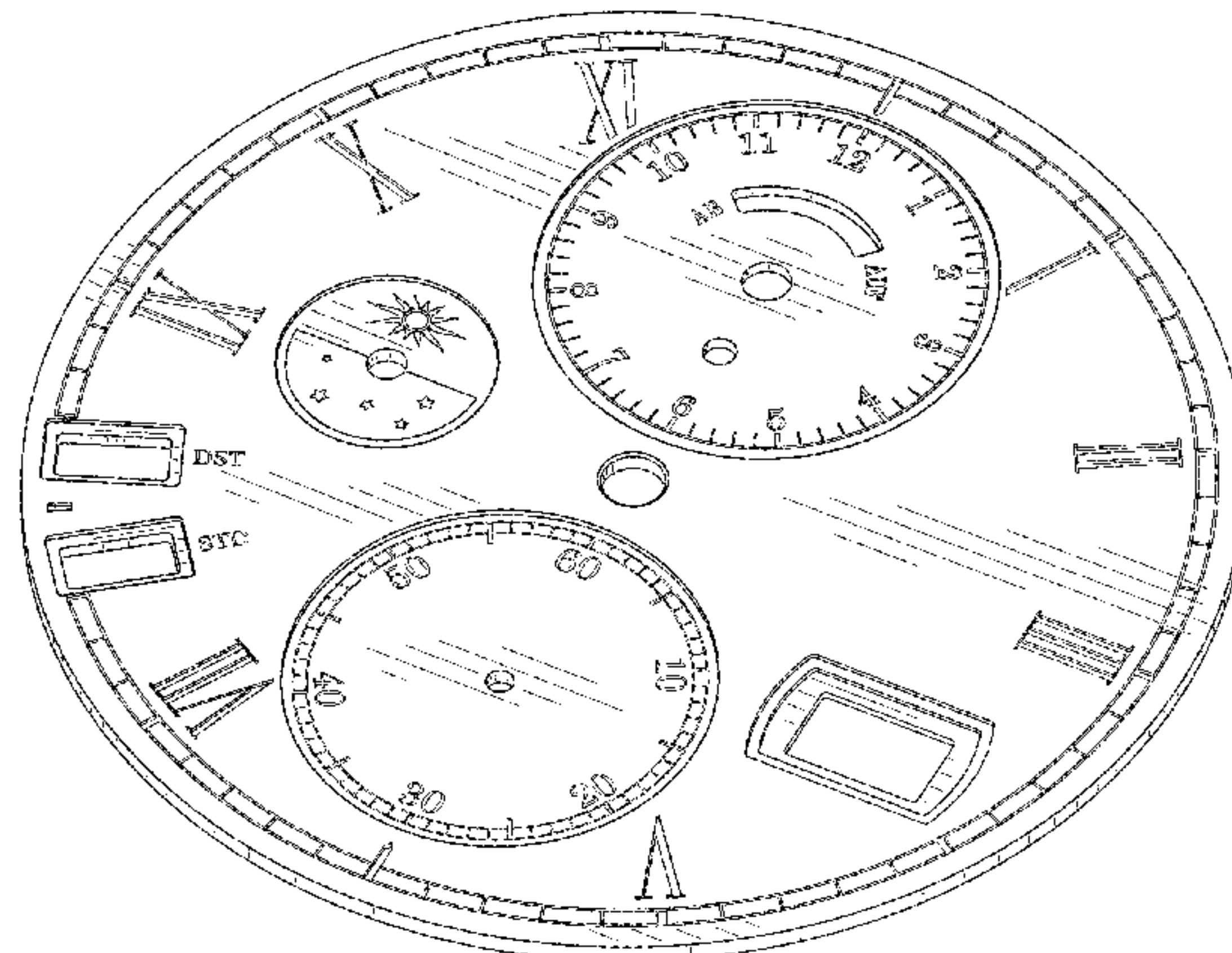
The ornamental design for a watch dial, as shown.

DESCRIPTION

FIG. 1 is a front right perspective view of a watch dial showing my new design;
 FIG. 2 is a rear left perspective view thereof;
 FIG. 3 is a front view thereof;
 FIG. 4 is a rear view thereof;
 FIG. 5 is a left side view thereof;
 FIG. 6 is a right side view thereof;
 FIG. 7 is a top view thereof; and,
 FIG. 8 is a bottom view thereof.

1 Claim, 5 Drawing Sheets

- (56) **References Cited**
U.S. PATENT DOCUMENTS
- D340,872 S * 11/1993 Schwarz D10/126
- D564,930 S * 3/2008 Kume D10/126
- D579,351 S * 10/2008 Monachon D10/39
- D580,809 S * 11/2008 Inoue D10/126
- D609,128 S * 2/2010 Rabassa D10/126
- D616,782 S * 6/2010 Chastaingt D10/126
- D619,486 S * 7/2010 Cerrato D10/126
- D656,416 S * 3/2012 Monachon D10/39
- D657,704 S * 4/2012 Cerrato D10/126
- D668,971 S * 10/2012 Tedeschi D10/39



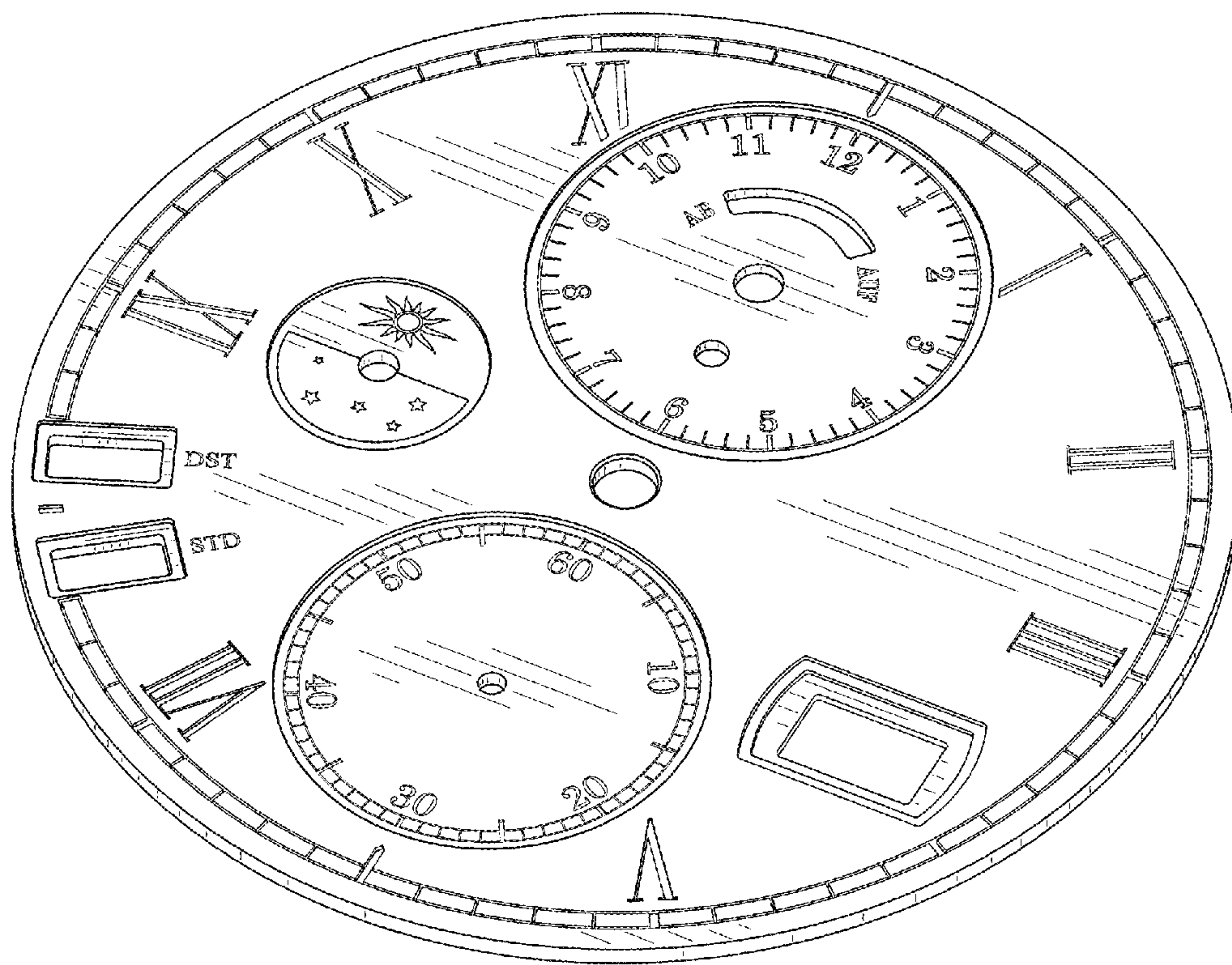


FIG. 1

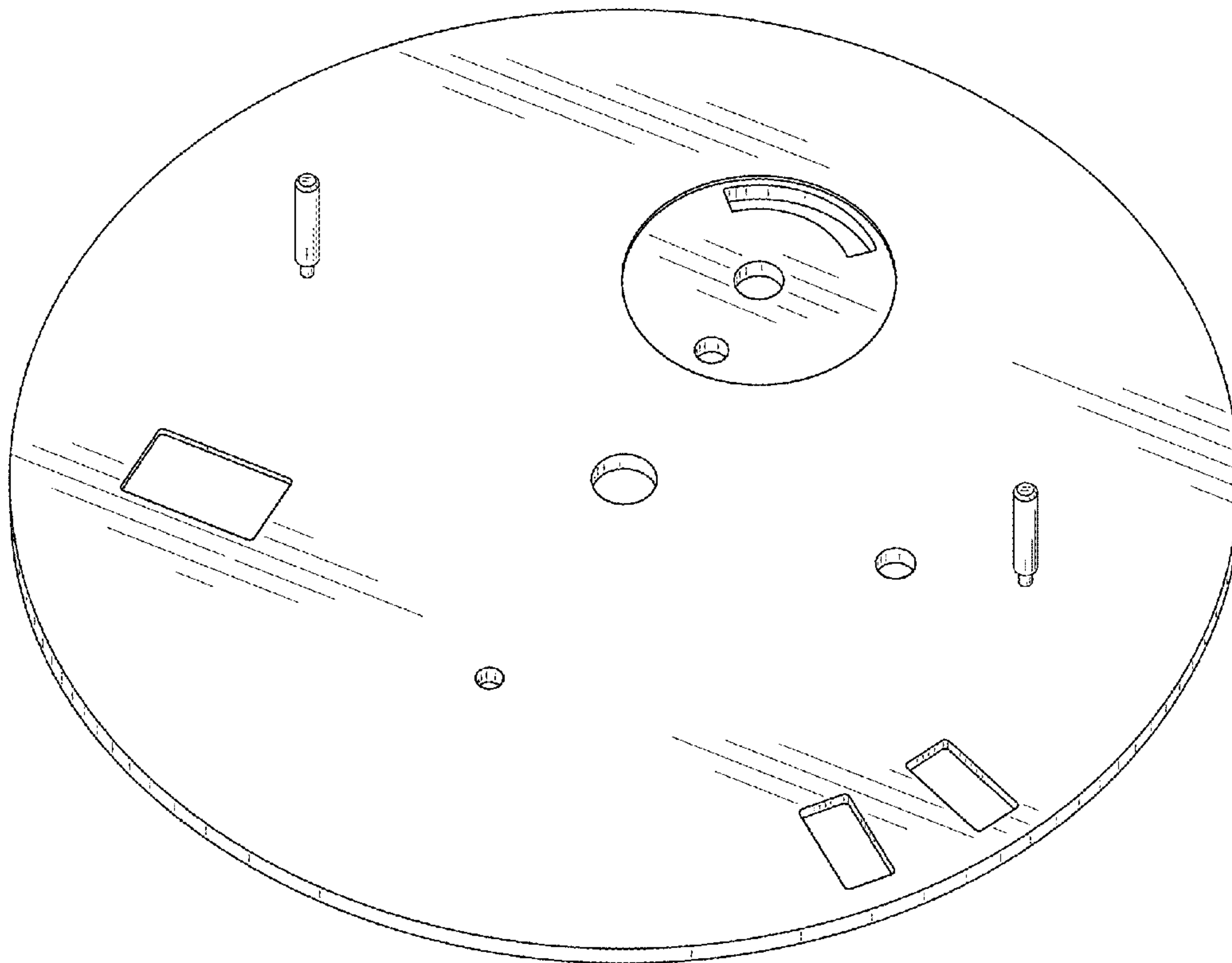


FIG. 2

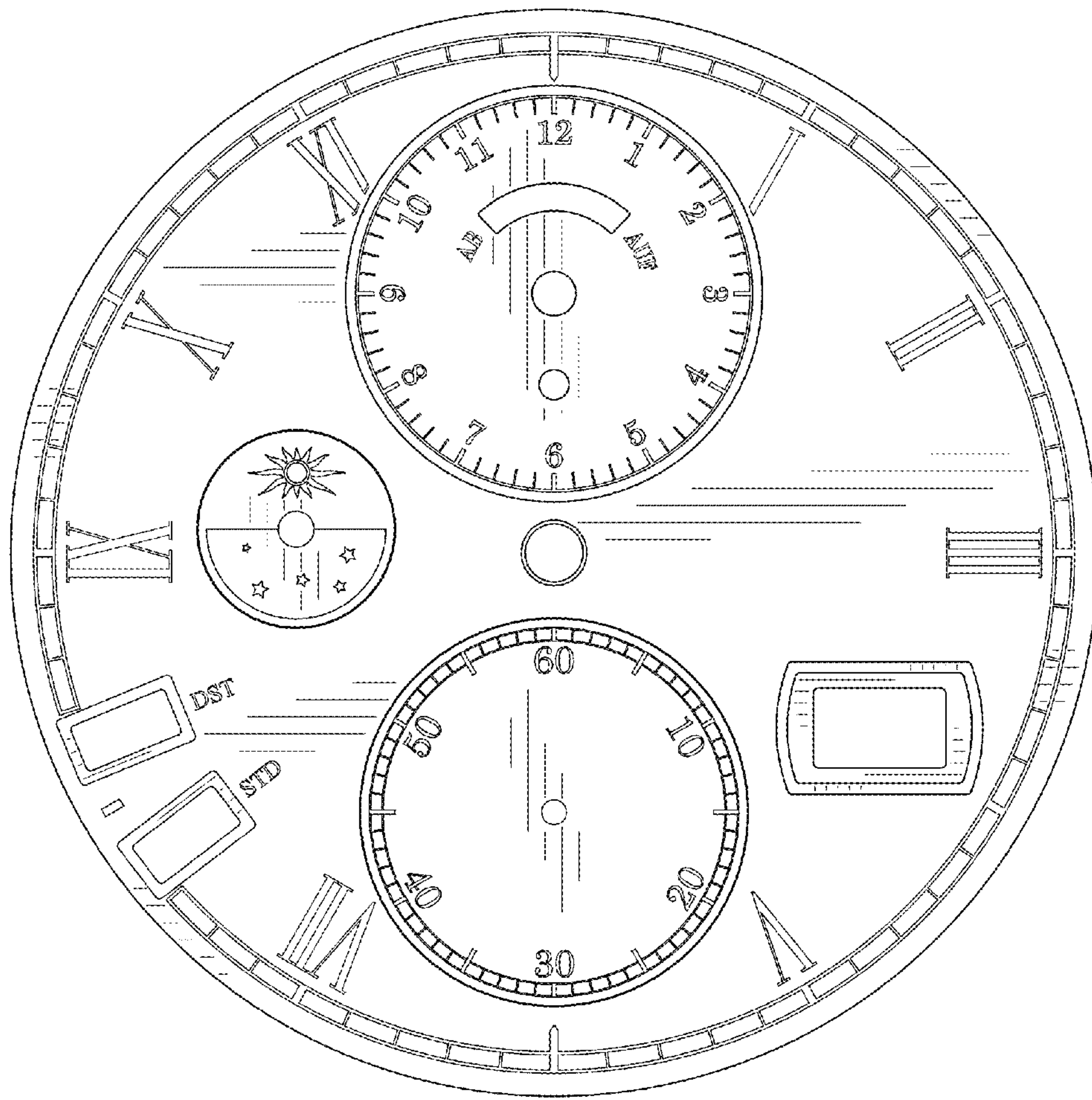


FIG. 3

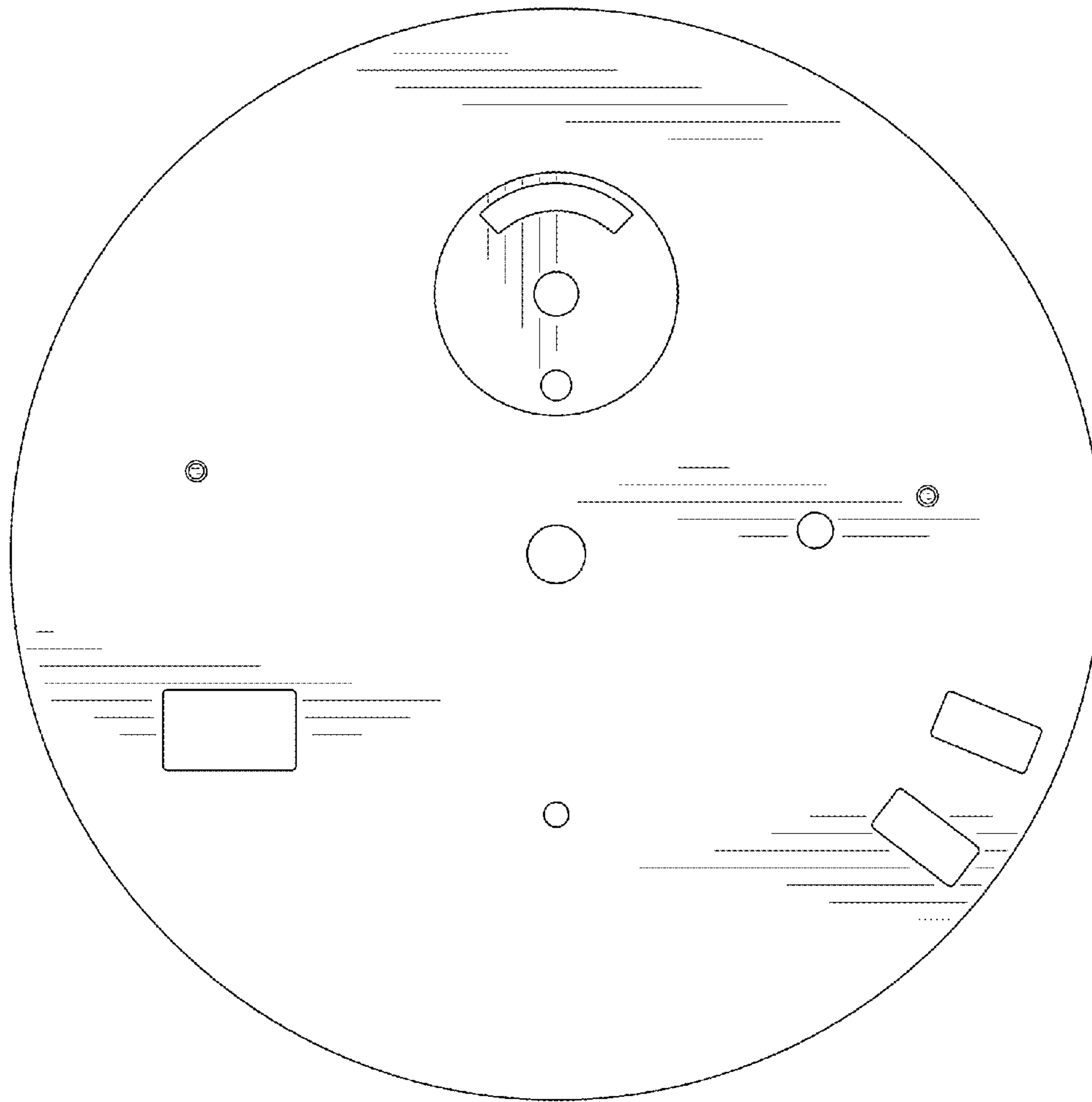


FIG. 4

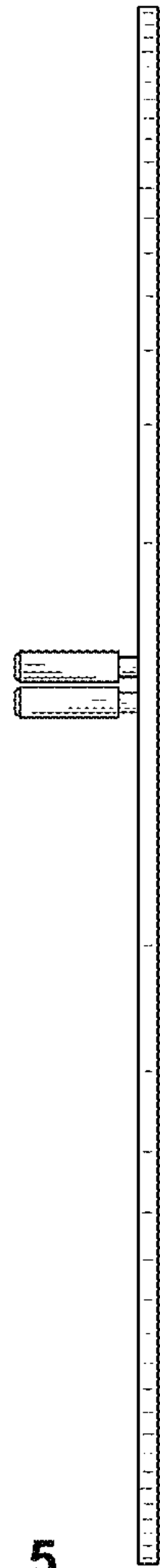


FIG. 5

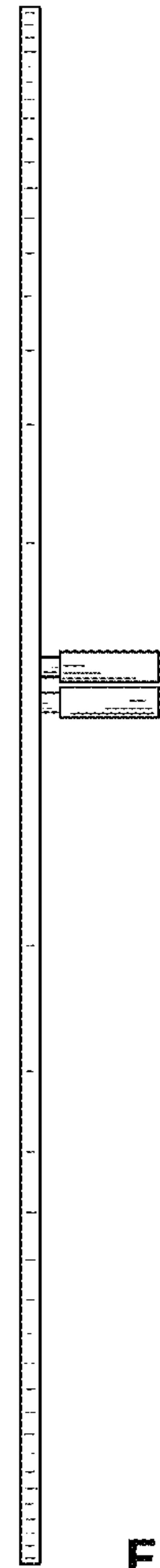


FIG. 6

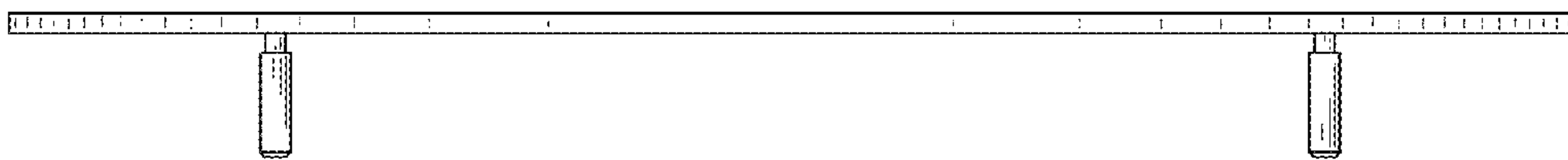


FIG. 7

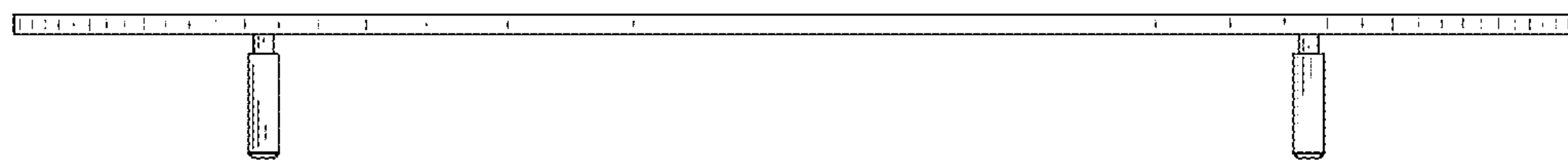


FIG. 8