

US00D761678S

(12) **United States Design Patent**  
**Cardin et al.**

(10) **Patent No.:** **US D761,678 S**  
(45) **Date of Patent:** **\*\* Jul. 19, 2016**

(54) **METER SOCKET**

(71) Applicant: **Thomas & Betts International, Inc.**,  
Wilmington, DE (US)

(72) Inventors: **Daniel D. Cardin**, Sainte-Julie (CA);  
**Marie-Ève Bernard**,  
St-Jean-sur-Richelieu (CA); **Benoît**  
**Orban**, Saint-Lambert (CA); **Patrick**  
**Mainville**, Montréal (CA); **Daniel**  
**Lalancette**, St-Jean-sur-Richelieu (CA)

(73) Assignee: **Thomas & Betts International, Inc.** DE  
(US)

(\*\*) Term: **15 Years**

(21) Appl. No.: **29/535,173**

(22) Filed: **Aug. 4, 2015**

**Related U.S. Application Data**

(62) Division of application No. 29/451,529, filed on Apr.  
3, 2013, now Pat. No. Des. 736,663.

(51) **LOC (10) Cl.** ..... **10-04**

(52) **U.S. Cl.**  
USPC ..... **D10/100**

(58) **Field of Classification Search**

USPC ..... D10/99, 100  
CPC ..... H02B 1/03; H02B 1/50; H02B 1/30;  
H02B 1/31; H02B 1/32; H02B 1/33; H02B  
1/34; H02B 1/35; H02B 1/36; H02B 1/37;  
H02B 1/38; H02B 1/46; G01R 11/04  
See application file for complete search history.

(56) **References Cited**

**U.S. PATENT DOCUMENTS**

3,158,679 A 11/1964 Ware

3,361,938 A 1/1968 Watson  
3,502,785 A 3/1970 Nickola  
3,524,477 A 8/1970 Steger  
3,614,538 A 10/1971 Nickola  
3,691,288 A 9/1972 Sturdivan

(Continued)

**FOREIGN PATENT DOCUMENTS**

CA 2062256 A1 3/1992  
CA 2311518 A1 6/1999

(Continued)

**OTHER PUBLICATIONS**

Non-Final Office Action issued in co-pending Canadian Patent  
Application No. 2,811,751 on Jul. 25, 2014.

*Primary Examiner* — Antoine D Davis

(74) *Attorney, Agent, or Firm* — Taft Stettinius & Hollister  
LLP

(57)

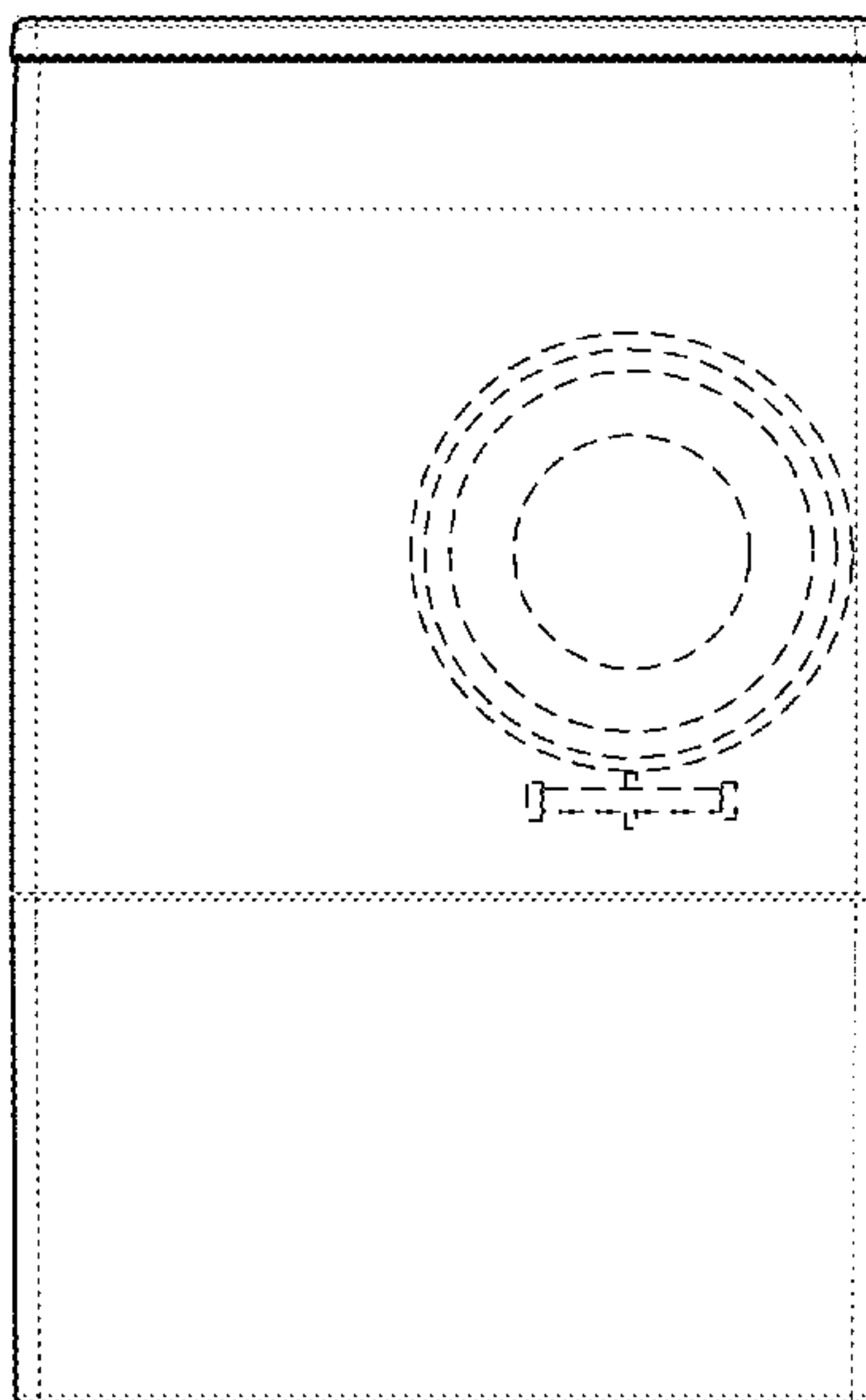
**CLAIM**

The ornamental design of a meter socket, as shown in the  
figures and described.

**DESCRIPTION**

FIG. 1 is a front view of a meter socket of the present inven-  
tion in one embodiment;  
FIG. 2 is a right-side view of the meter socket of FIG. 1;  
FIG. 3 is a left-side view of the meter socket of FIG. 1;  
FIG. 4 is a top view of the meter socket of FIG. 1; and,  
FIG. 5 is a perspective view of the meter socket of FIG. 1.  
In FIGS. 1 through 5, contours are shown with thin grey lines.  
Structure that is not part of the claimed design, but shows the  
environment in which the design is associated, is represented  
in the drawings by broken lines.

**1 Claim, 5 Drawing Sheets**



(56)

References Cited

U.S. PATENT DOCUMENTS

3,868,080	A	2/1975	Olson
3,879,641	A	4/1975	Byrd
3,936,589	A	2/1976	Teeters
3,996,415	A	12/1976	Provorse
RE31,359	E	8/1983	Nickola
4,723,580	A	2/1988	Trautwein
4,864,467	A	9/1989	Byrd
4,887,187	A	12/1989	Nickola
4,977,482	A	12/1990	Langdon
5,304,736	A	4/1994	Halfacre
5,377,074	A	12/1994	Byrd
5,400,212	A	3/1995	Hanson
5,523,529	A	6/1996	Holliday
5,614,695	A	3/1997	Benito Navazo
5,804,769	A	9/1998	Morena
5,973,264	A	10/1999	O'Connor
6,180,878	B1	1/2001	Gretz
6,247,500	B1	6/2001	McMahon
6,274,814	B1	8/2001	Iavarone
6,323,421	B1	11/2001	Pawson et al.
6,437,247	B1	8/2002	Holliday

6,646,203	B1	11/2003	Liao
7,085,128	B2	8/2006	Wilfong
7,385,148	B2	6/2008	Picard
7,819,676	B1	10/2010	Cardoso et al.
D642,083	S *	7/2011	Blanc ..... D10/100
D703,562	S *	4/2014	Lalancette ..... D10/99
9,124,078	B2 *	9/2015	Zhang ..... H02B 1/03
9,146,258	B2 *	9/2015	Rudaitis ..... G01R 11/04
2013/0279086	A1 *	10/2013	Lalancette ..... G01R 11/04 361/662

FOREIGN PATENT DOCUMENTS

CA	2270761	A1	11/1999
CA	2074971	C	7/2002
CA	2436283	A1	2/2004
CA	101947		7/2004
CA	101986		7/2004
CA	2556355	A1	9/2005
CA	107079		12/2005
CA	136298		2/2011
CA	136299		2/2011

\* cited by examiner

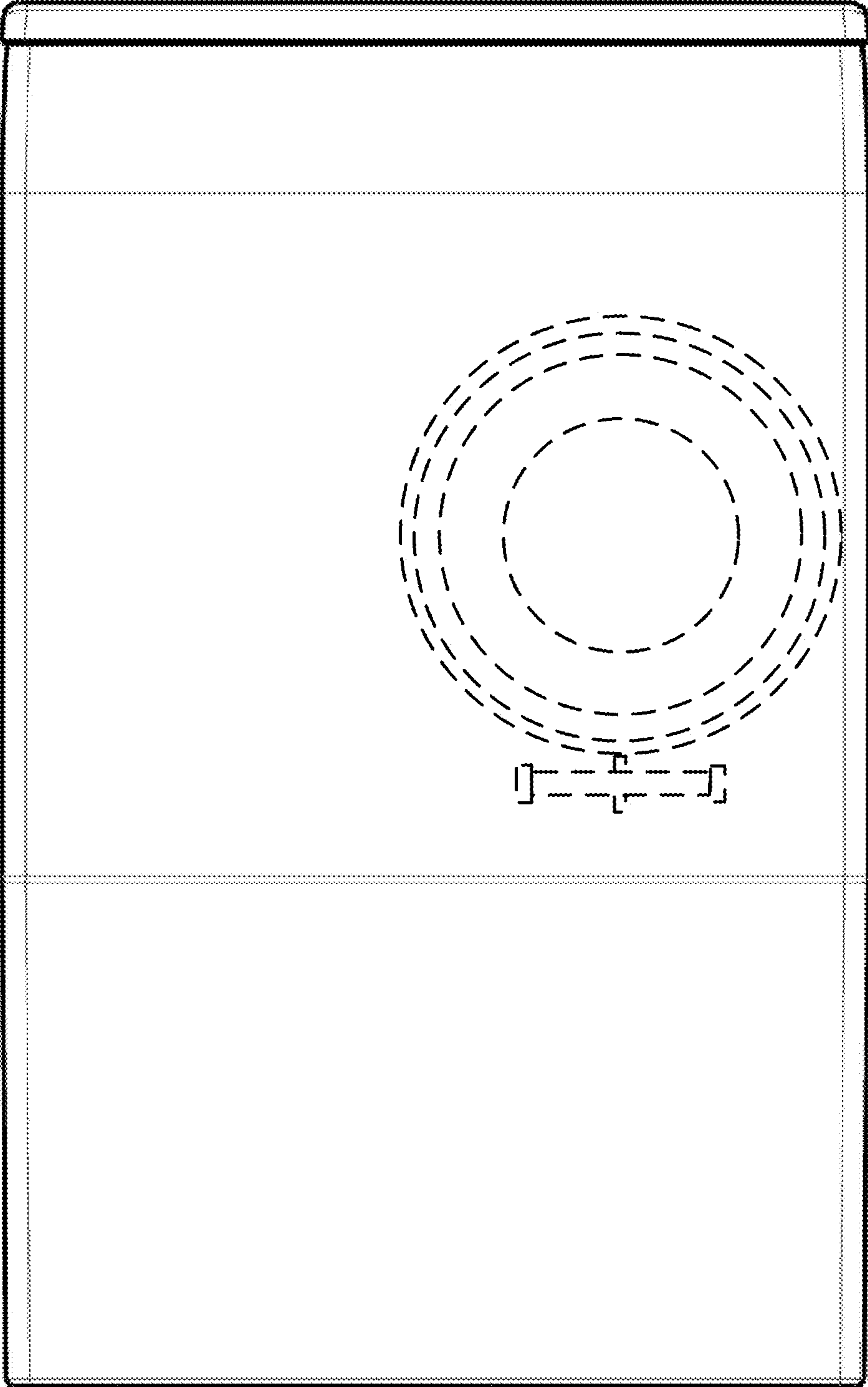


FIG. 1

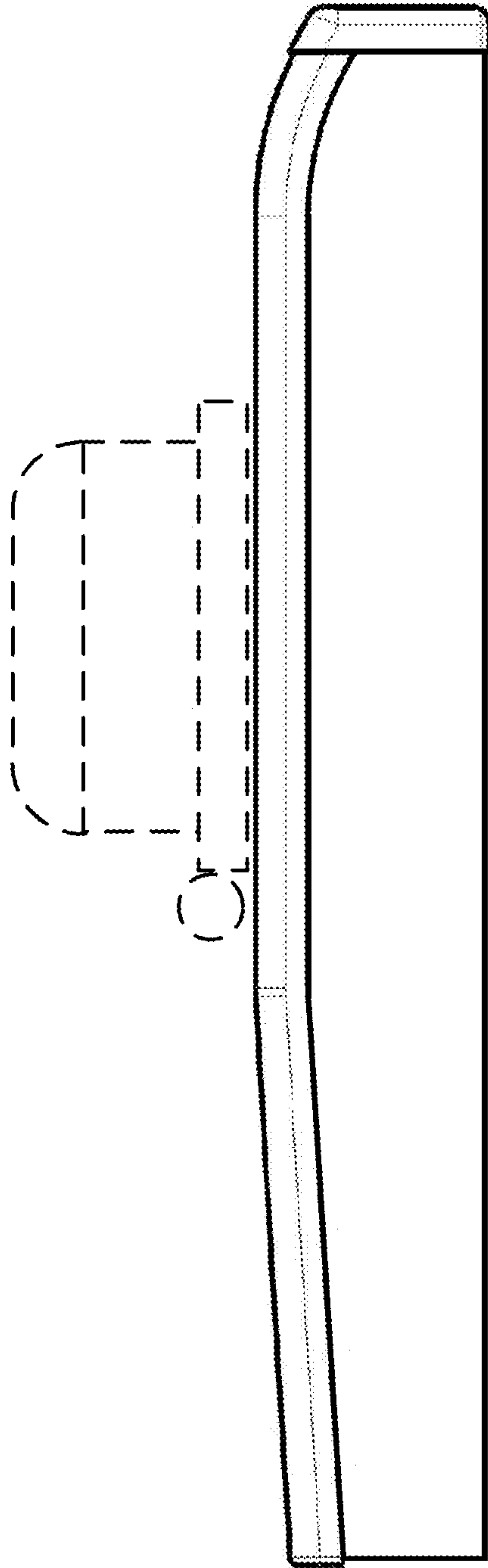


FIG. 2

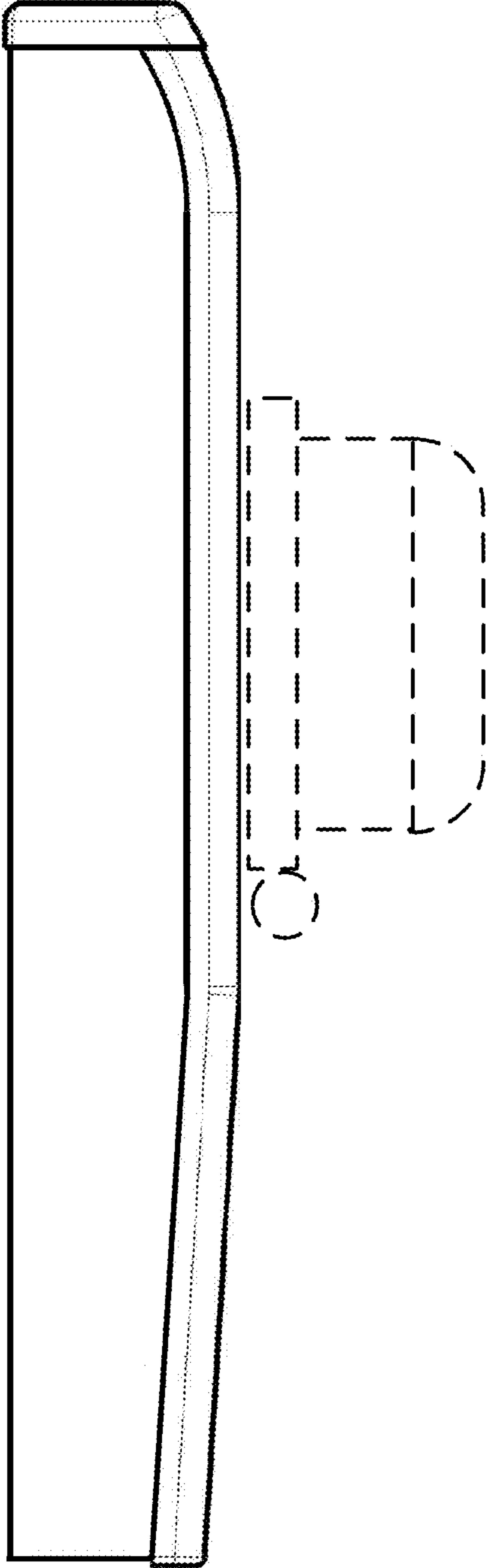


FIG. 3

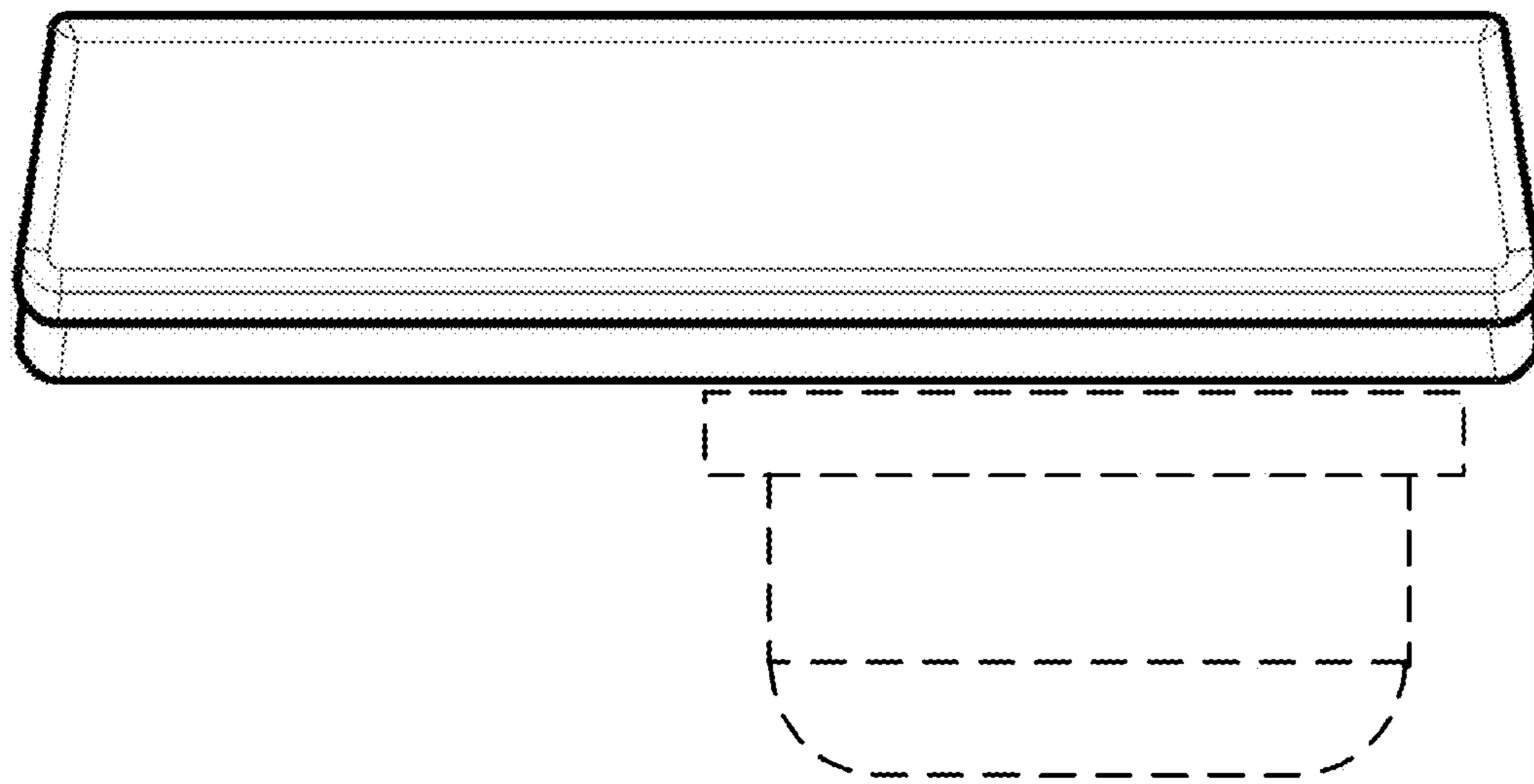


FIG. 4

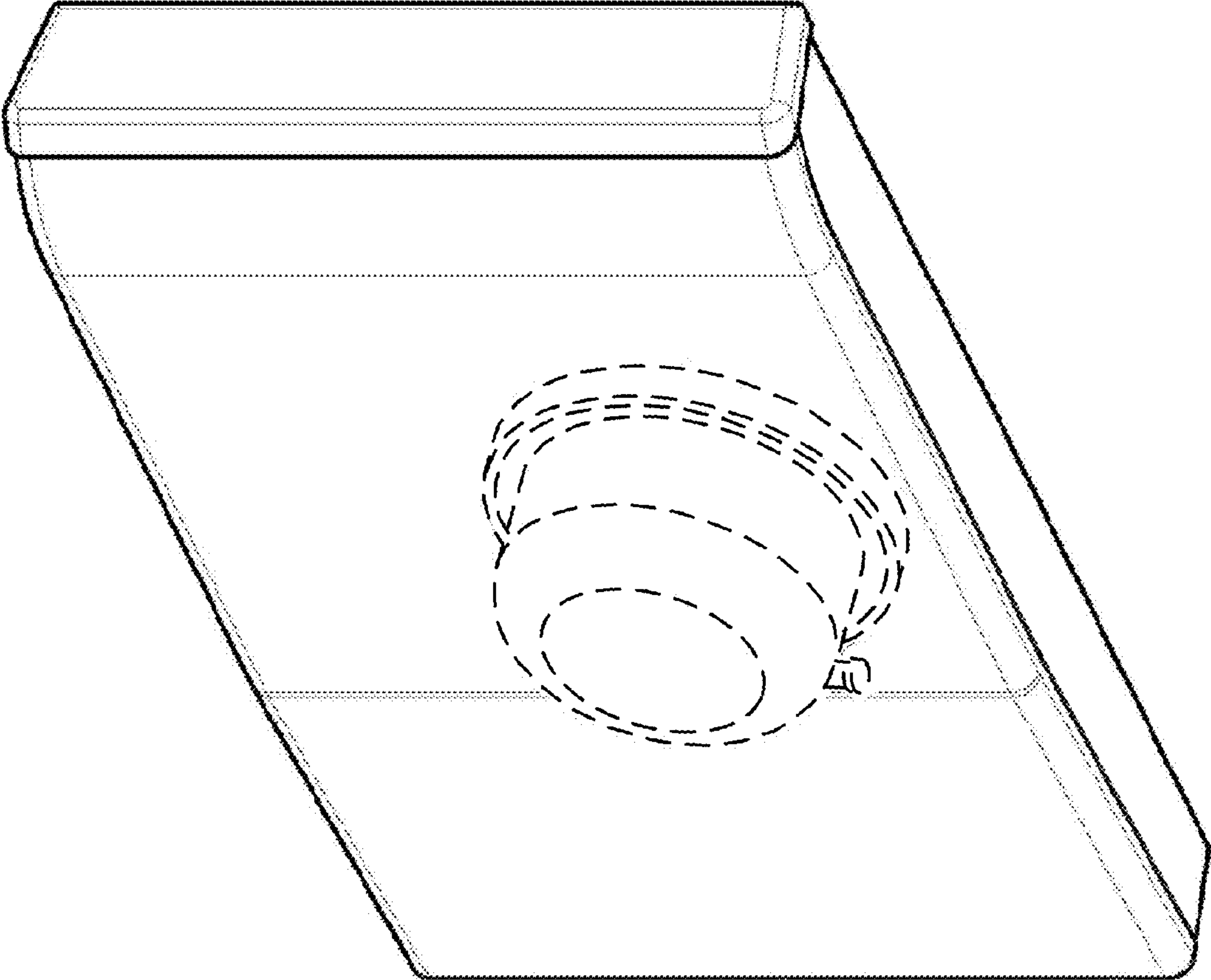


FIG. 5