



US00D761677S

(12) **United States Design Patent**
Briganti

(10) **Patent No.:** **US D761,677 S**
(45) **Date of Patent:** **** Jul. 19, 2016**

(54) **FOOT-MOUNTABLE SENSOR AND FEEDBACK DEVICE**

(71) Applicant: **JANB Holdings, LLC**, San Clemente, CA (US)

(72) Inventor: **Joseph A. Briganti**, San Clemente, CA (US)

(73) Assignee: **JANB Holdings**, San Clemente, CA (US)

(**) Term: **15 Years**

(21) Appl. No.: **29/527,043**

(22) Filed: **May 14, 2015**

(51) **LOC (10) Cl.** **10-04**

(52) **U.S. Cl.**
USPC **D10/96**

(58) **Field of Classification Search**
USPC D10/70, 96
CPC .. A63B 69/002; A63B 69/0028; A63B 69/20;
A63B 69/203; A63B 69/208; A63B 69/24;
A63B 69/26; A63B 69/32; A63B 69/325;
A63B 2220/50; A63B 2220/51; A63B
2220/52; A63B 2220/53

See application file for complete search history.

(56) **References Cited**

U.S. PATENT DOCUMENTS

5,433,437 A 7/1995 Dudley
5,782,727 A * 7/1998 Pierce A63B 21/0552
482/121
5,897,446 A 4/1999 Wiseman et al.
5,947,845 A 9/1999 Canelas

D456,596 S 5/2002 Hannah
6,808,462 B2 10/2004 Snyder et al.
6,925,851 B2 8/2005 Reinbold et al.
7,404,263 B2 7/2008 Guzman
D610,476 S * 2/2010 Daniel D10/70
8,221,291 B1 7/2012 Kantarevic
8,499,476 B2 8/2013 Berner, Jr. et al.
D710,220 S * 8/2014 Daniel D10/70
D715,664 S * 10/2014 Edgett D10/70
9,205,316 B2 * 12/2015 Fishman A63B 69/0028
2006/0047447 A1 3/2006 Brady et al.

OTHER PUBLICATIONS

Markwort. The Electronic Soccer Pro. <http://shop.markwort.com/p/the-electronic-soccer-pro>, downloaded May 14, 2015.

* cited by examiner

Primary Examiner — Antoine D Davis

(74) *Attorney, Agent, or Firm* — Henricks, Slavin & Holmes LLP

(57) **CLAIM**

The ornamental design for the foot-mountable sensor and feedback device, as shown and described.

DESCRIPTION

FIG. 1 is a top isometric view of a foot-mountable sensor and feedback device showing the new design;
FIG. 2 is a front view thereof;
FIG. 3 is a rear view thereof;
FIG. 4 is a right side view thereof;
FIG. 5 is a left side view thereof;
FIG. 6 is a top view thereof; and,
FIG. 7 is a bottom view thereof.

1 Claim, 7 Drawing Sheets

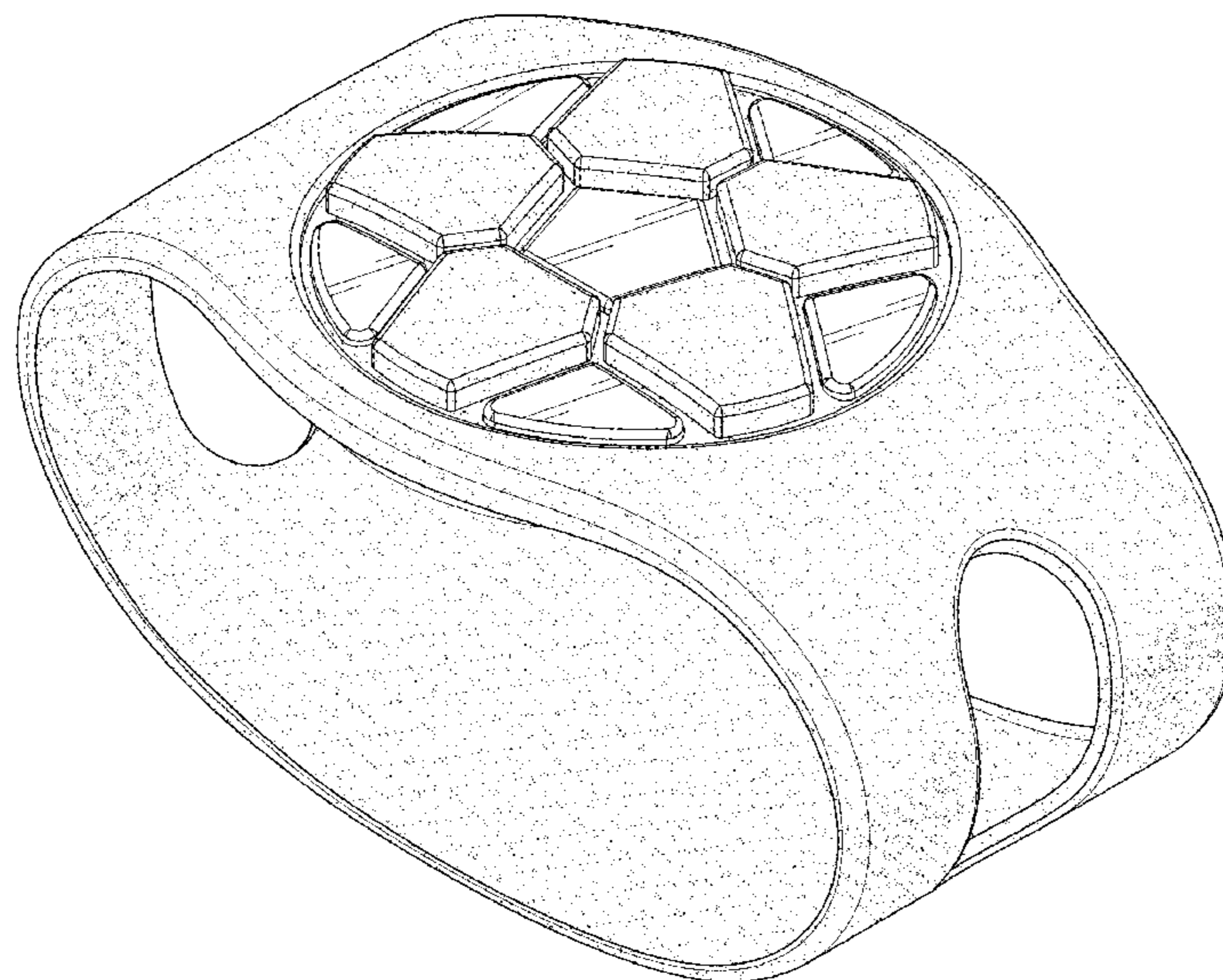
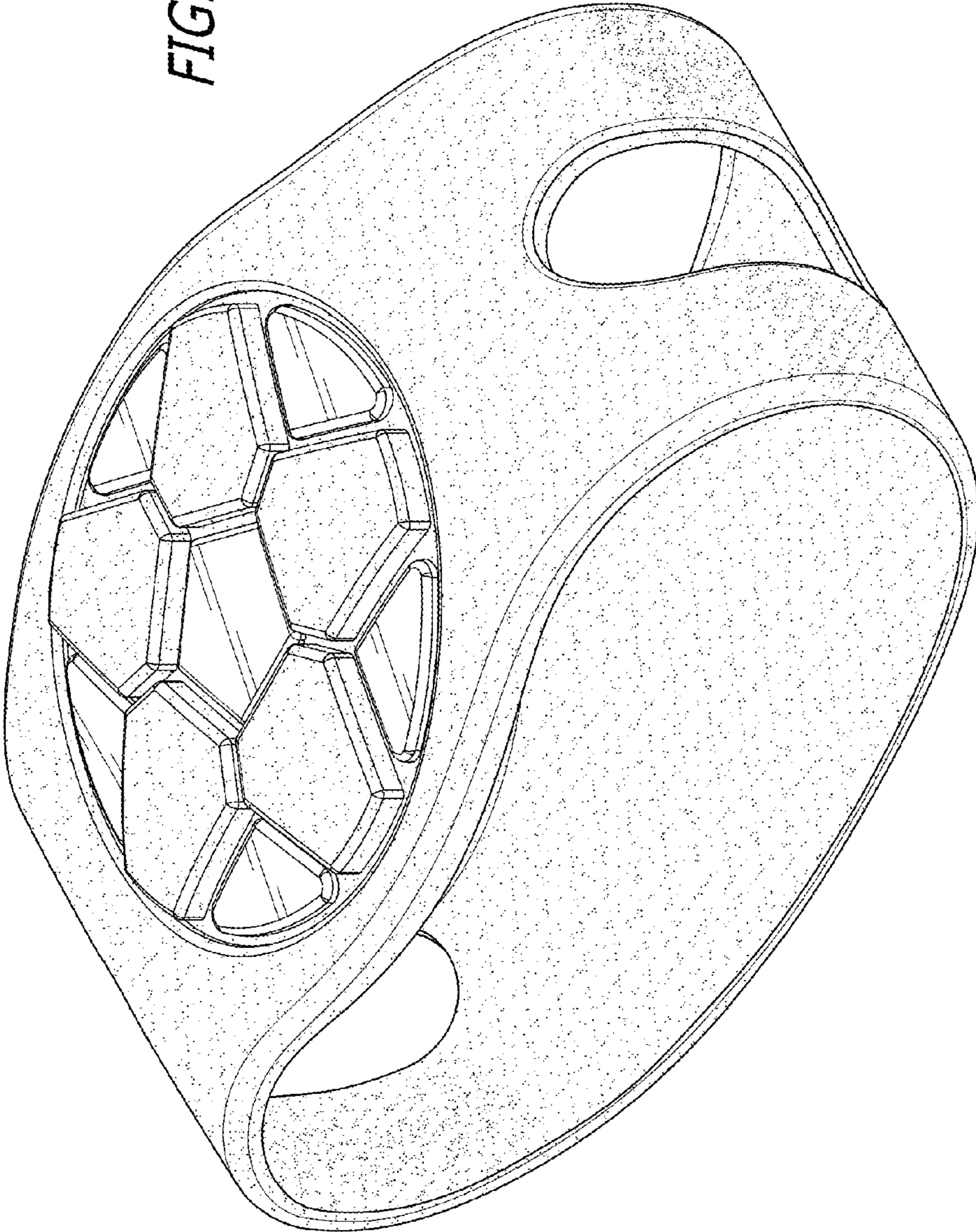


FIG. 1



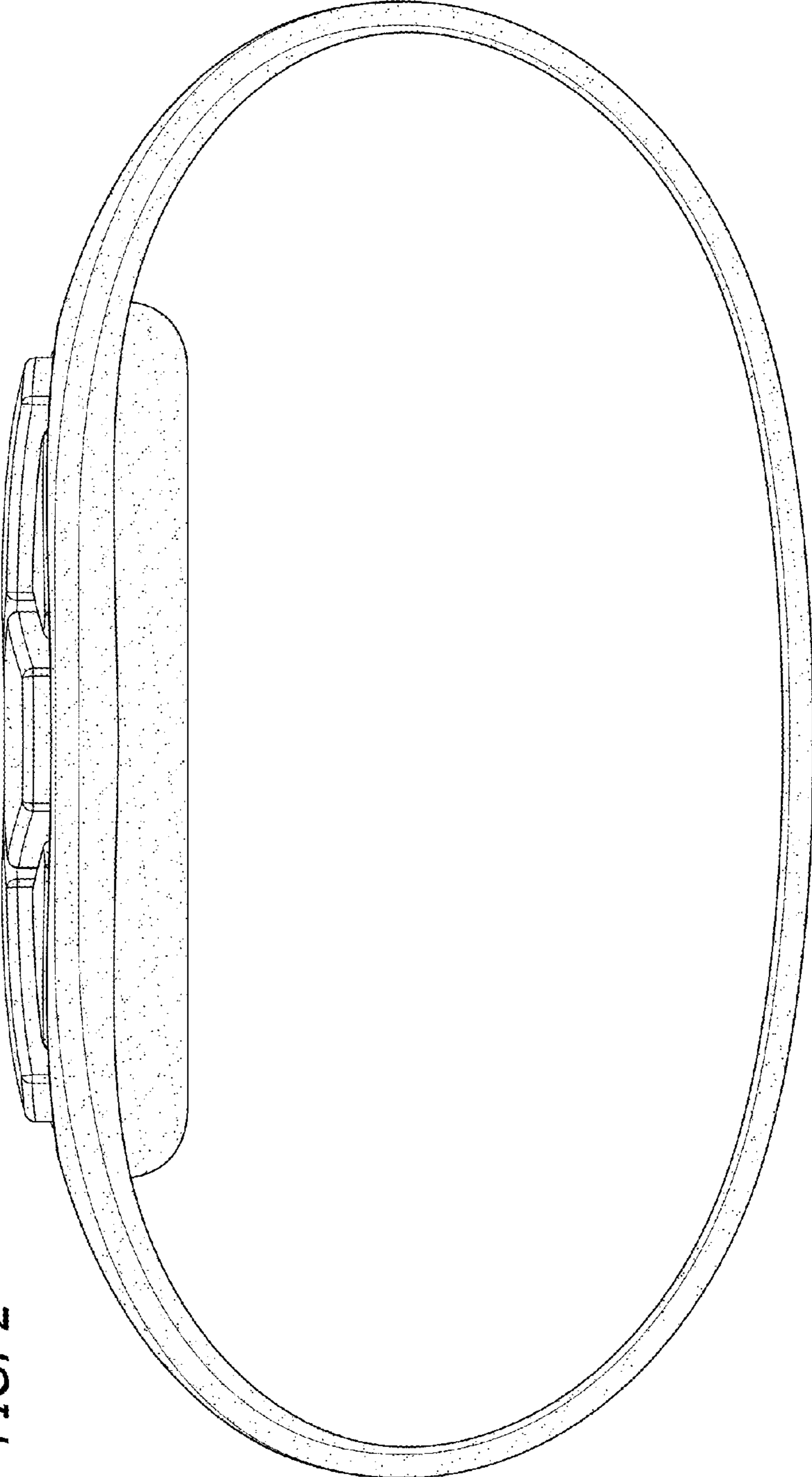


FIG. 2

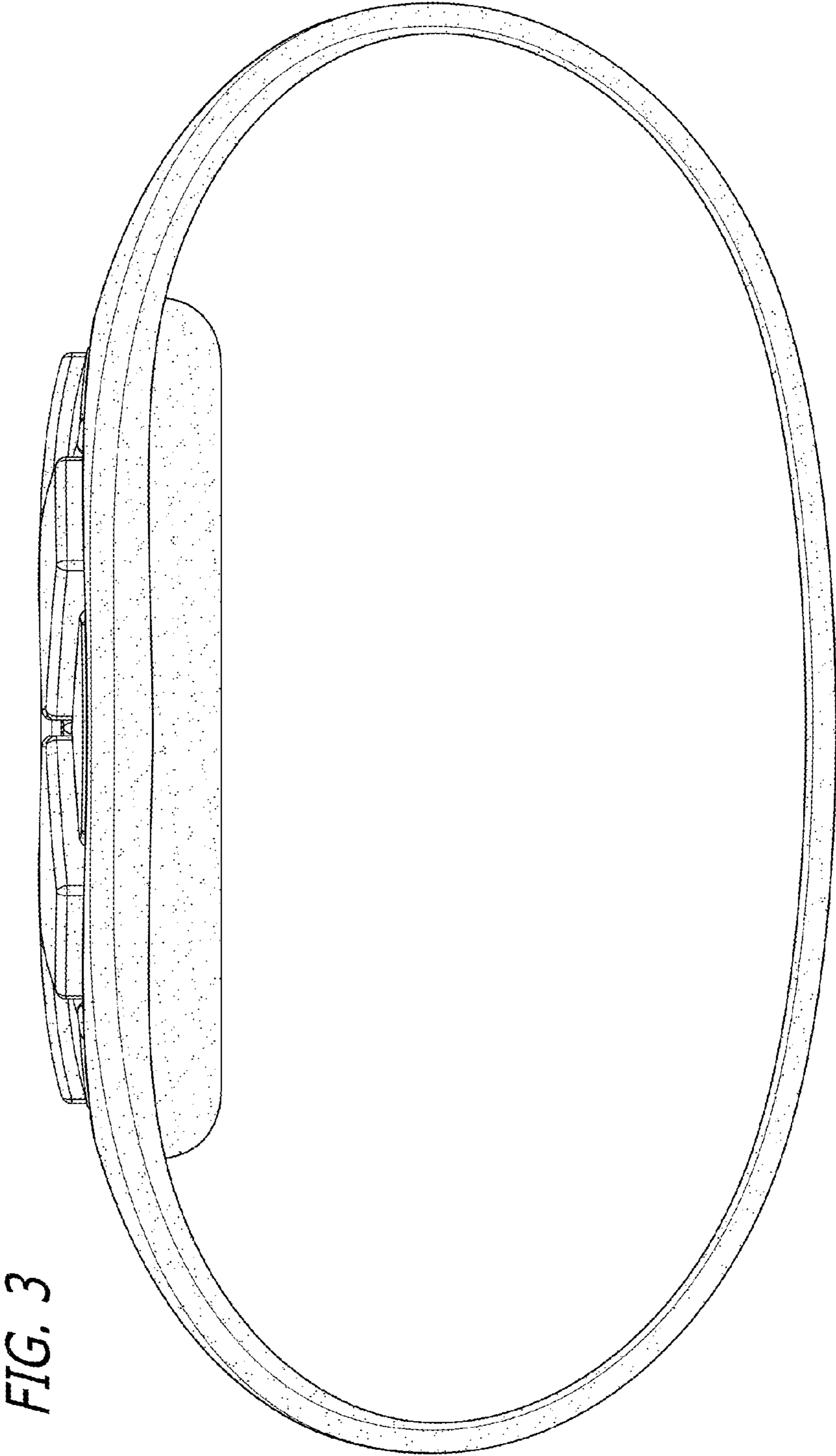


FIG. 3

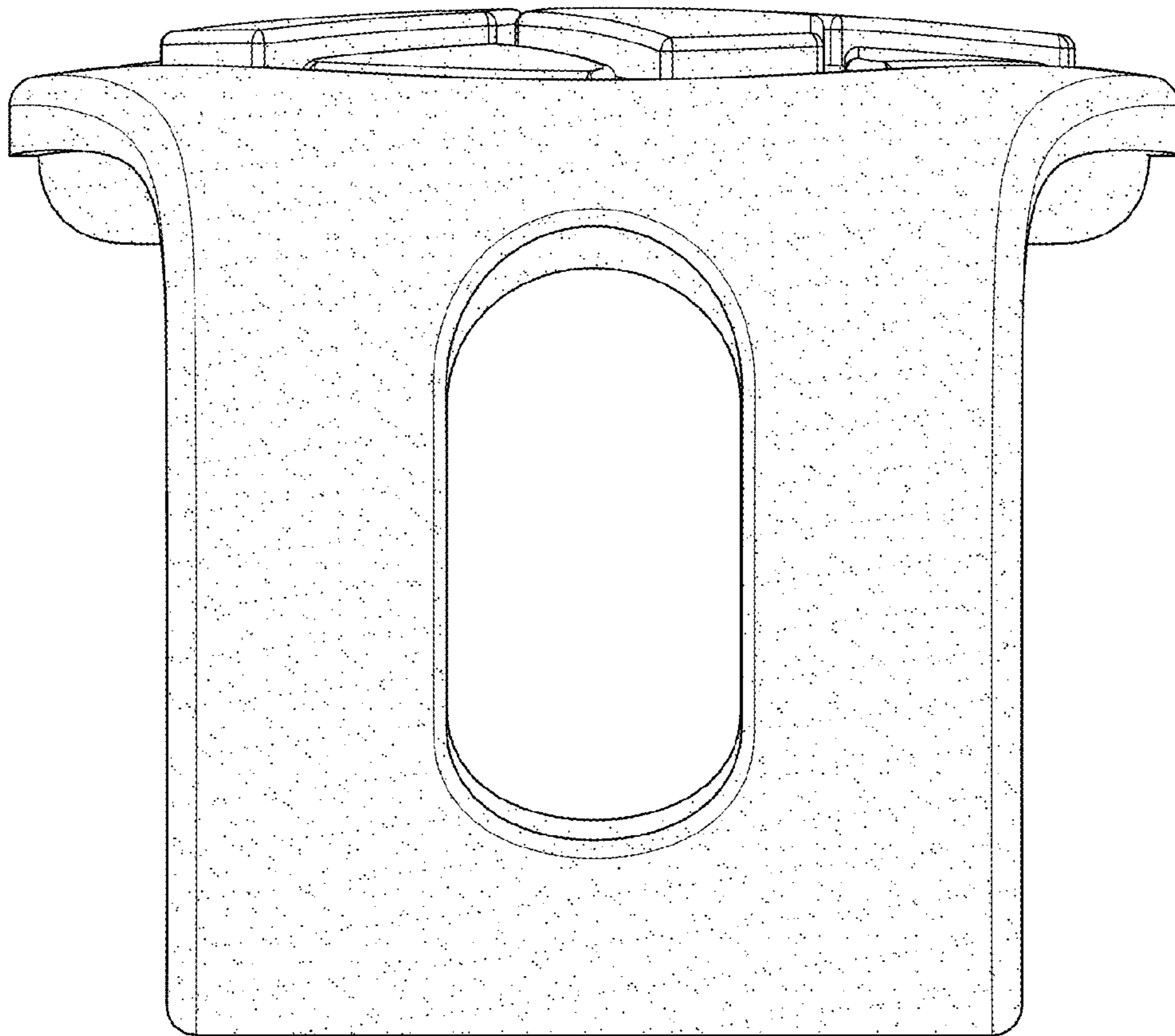


FIG. 4

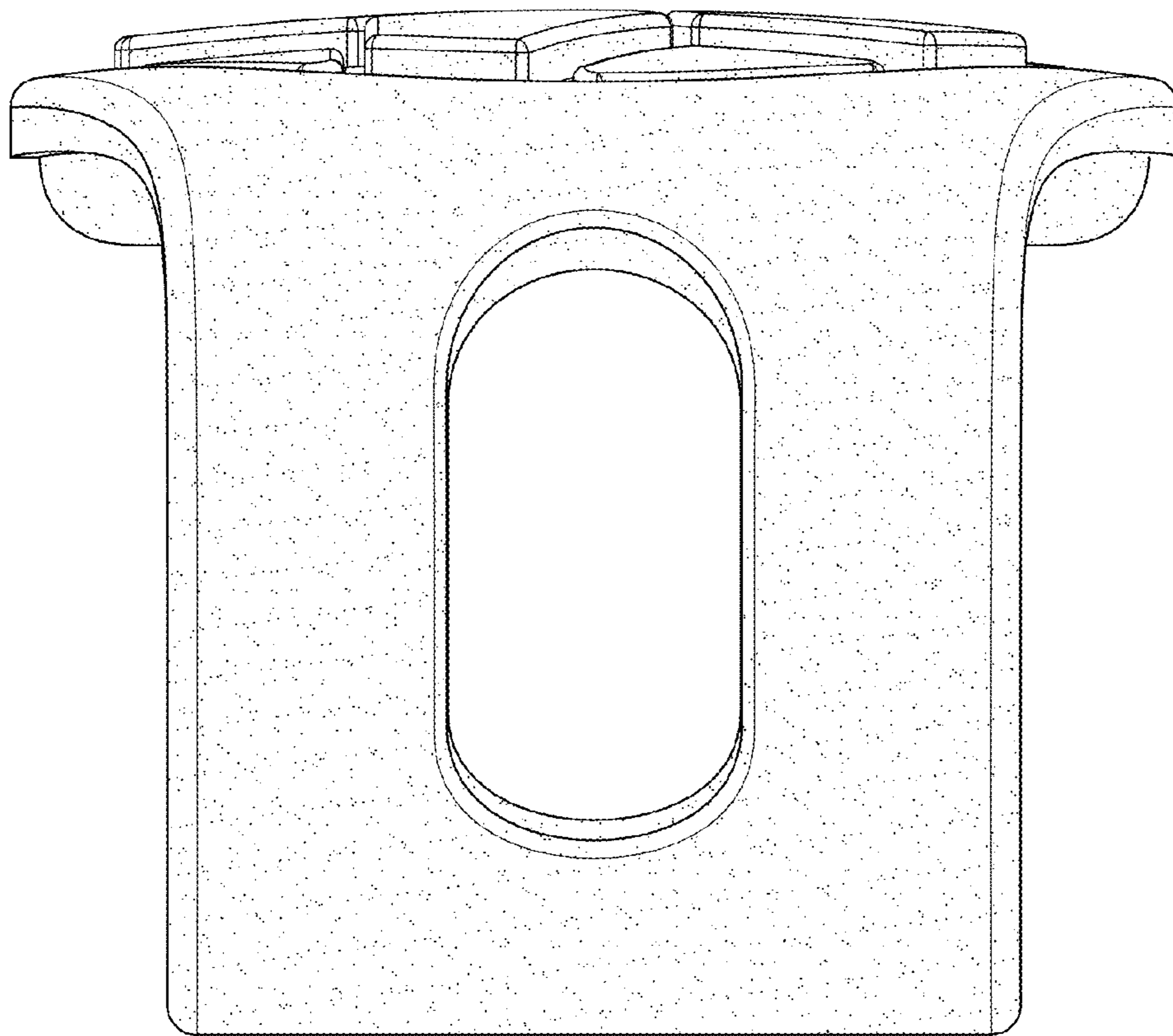


FIG. 5

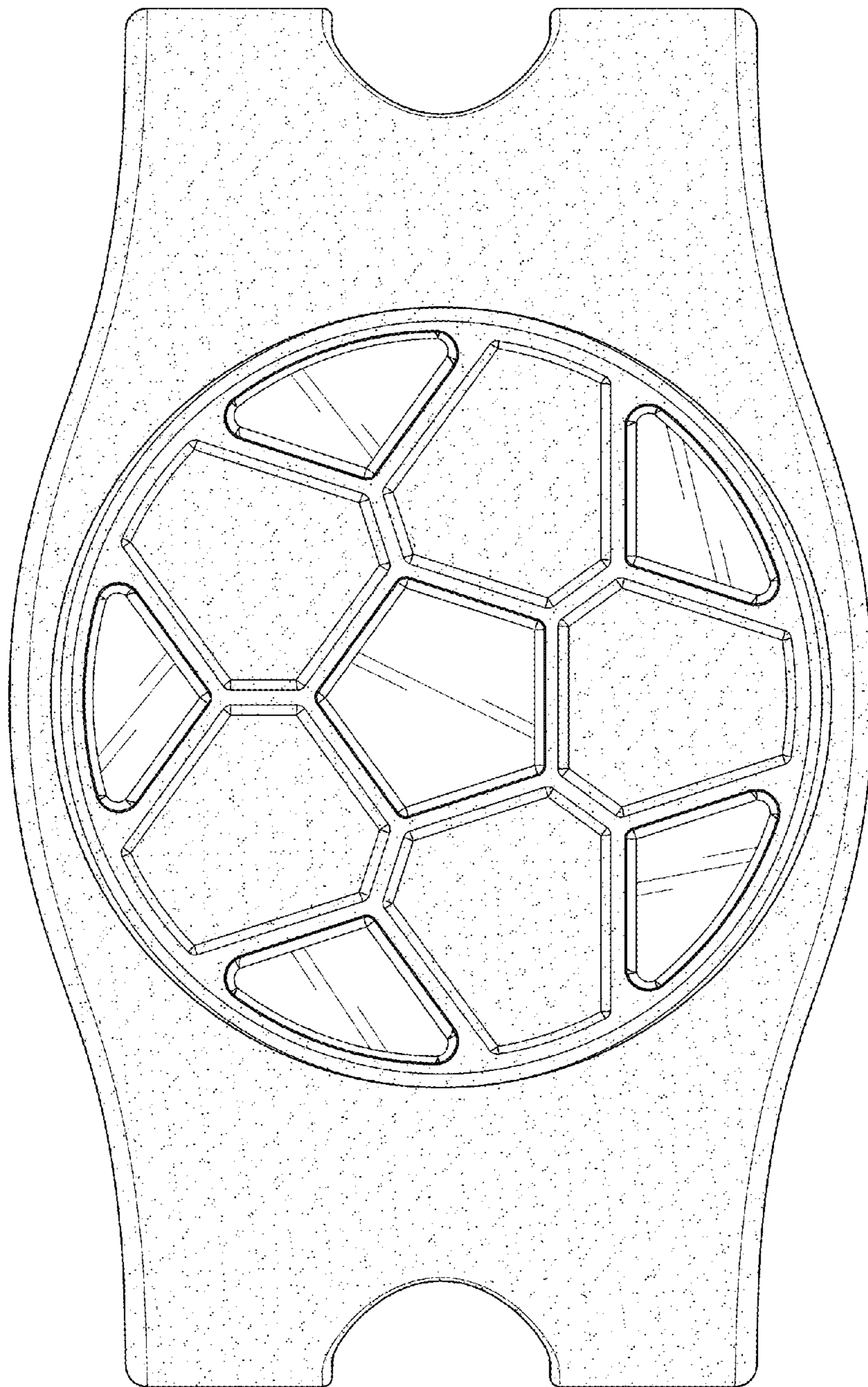


FIG. 6

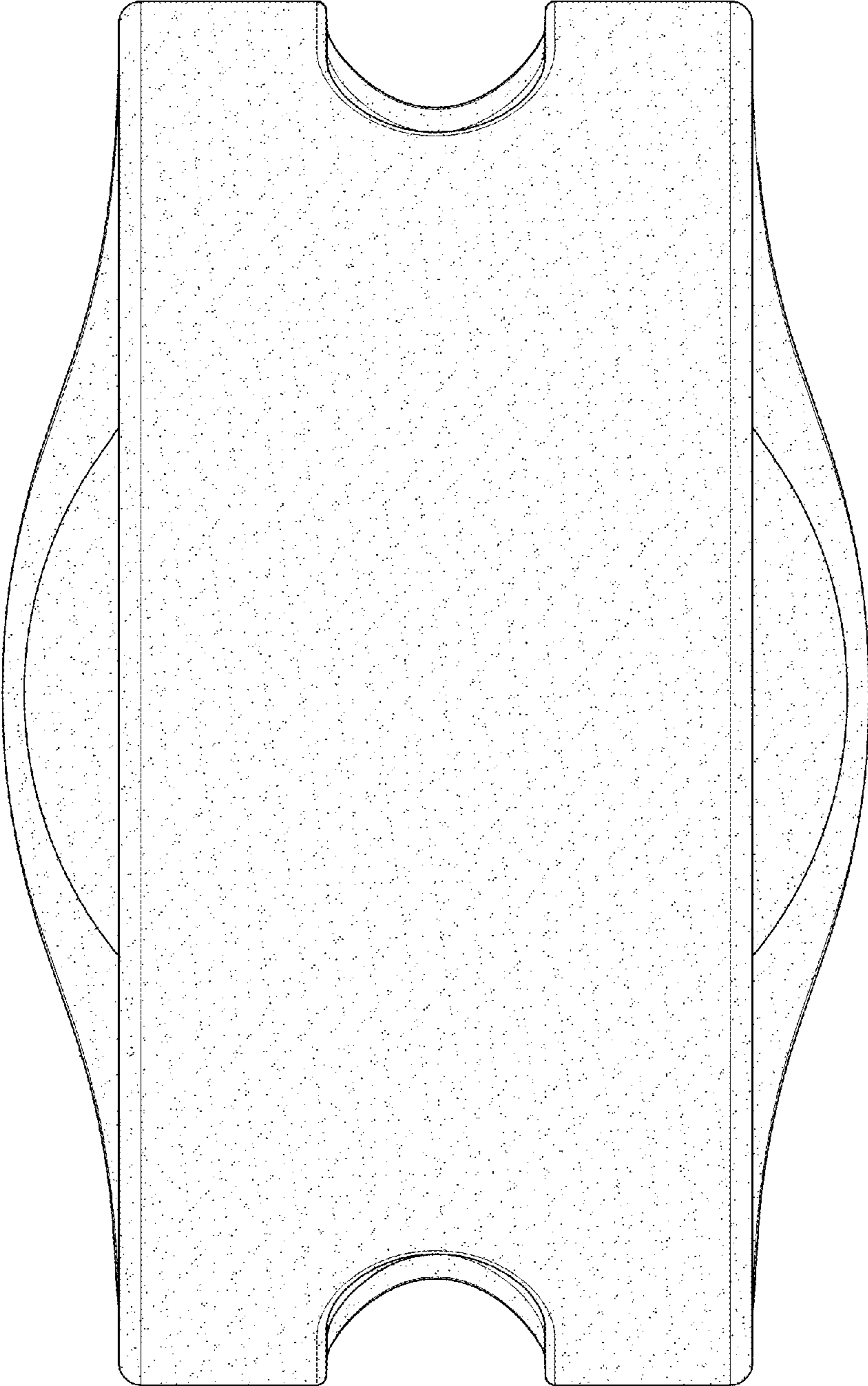


FIG. 7