



US00D761676S

(12) **United States Design Patent**  
**Golnik et al.**

(10) **Patent No.:** **US D761,676 S**  
(45) **Date of Patent:** **\*\* Jul. 19, 2016**

(54) **ACTIVITY MONITORING DEVICE**

(71) Applicant: **Misfit Wearables Corporation**, Salem, NH (US)

(72) Inventors: **Tim Golnik**, San Francisco, CA (US);  
**James Toggweiler**, San Francisco, CA (US)

(73) Assignee: **Misfit, Inc.**, Burlingame, CA (US)

(\*\*) Term: **15 Years**

(21) Appl. No.: **29/542,008**

(22) Filed: **Oct. 9, 2015**

**Related U.S. Application Data**

(62) Division of application No. 29/512,056, filed on Dec. 16, 2014, now Pat. No. Des. 743,819.

(51) **LOC (10) Cl.** ..... **10-04**

(52) **U.S. Cl.**  
USPC ..... **D10/70**; D10/30; D10/103

(58) **Field of Classification Search**  
USPC ..... D10/30, 70, 103; D11/3; D14/138 R,  
D14/203.5, 203.6, 341, 344, 347; D24/167,  
D24/168  
CPC ..... A44C 5/00-5/16; G04B 37/00-37/228;  
G04B 45/0069; G04B 47/04; G04B  
19/00-19/34; G04B 21/12; G04B 23/12;  
G04B 47/00-47/068; G01C 17/00; G01C  
21/00-21/3697

See application file for complete search history.

(56) **References Cited**

U.S. PATENT DOCUMENTS

D717,674 S \* 11/2014 Vu ..... D10/65  
D724,970 S \* 3/2015 Hasegawa ..... D10/65  
D743,819 S \* 11/2015 Golnik ..... D10/70

\* cited by examiner

*Primary Examiner* — Antoine D Davis

(74) *Attorney, Agent, or Firm* — Cooley LLP

(57) **CLAIM**

The ornamental design for an activity monitoring device, as shown and described.

**DESCRIPTION**

FIG. 1 is a perspective view of a embodiment;

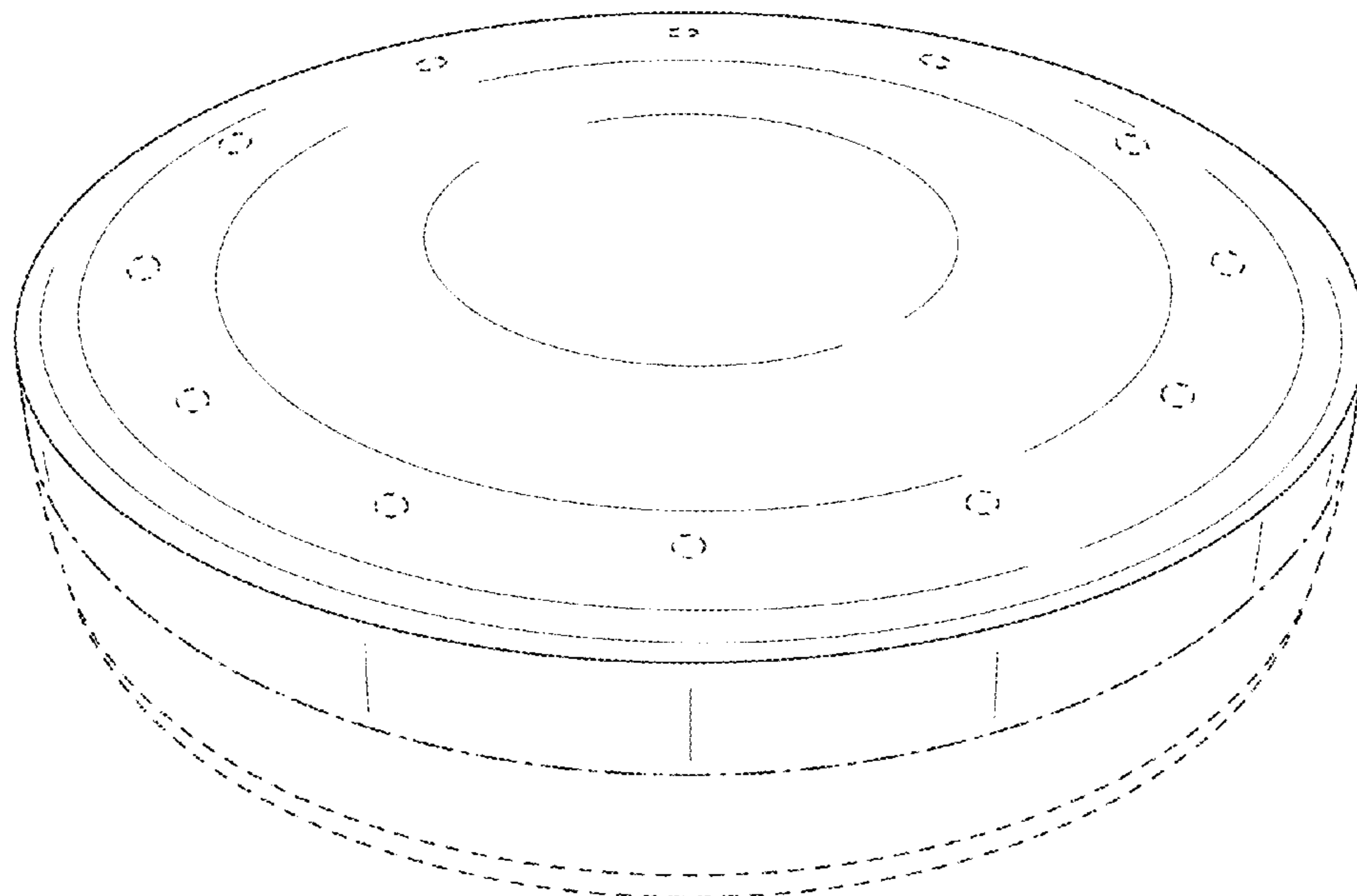
FIG. 2 is a top view of the embodiment;

FIG. 3 is a bottom view of the embodiment; and,

FIG. 4 is a side view of the embodiment.

The broken lines immediately adjacent the shaded areas represent the bounds of the claimed design while all other broken lines are directed to environment and are for illustrative purposes only; the broken lines form no part of the claimed design.

**1 Claim, 4 Drawing Sheets**



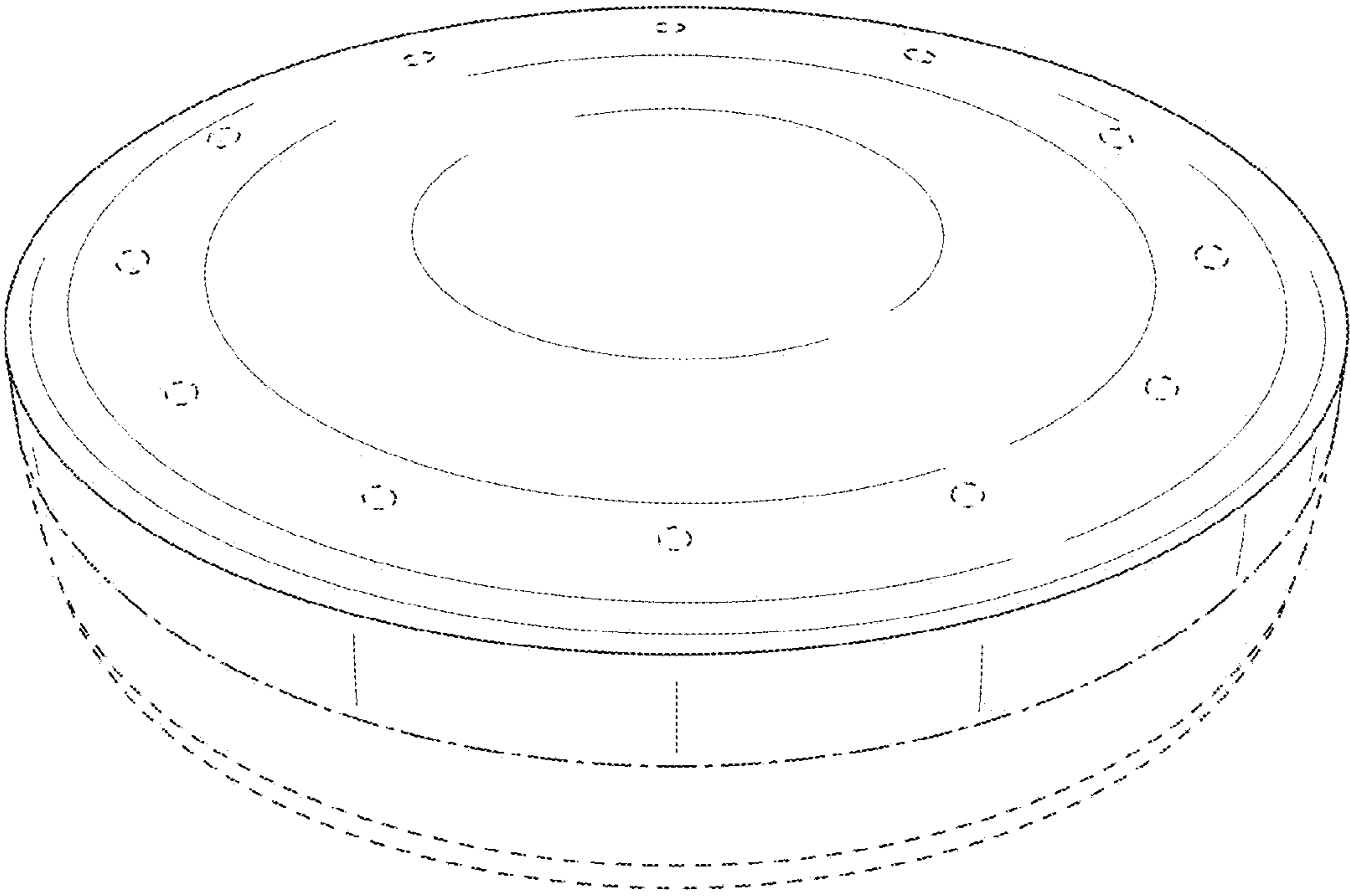


FIG. 1

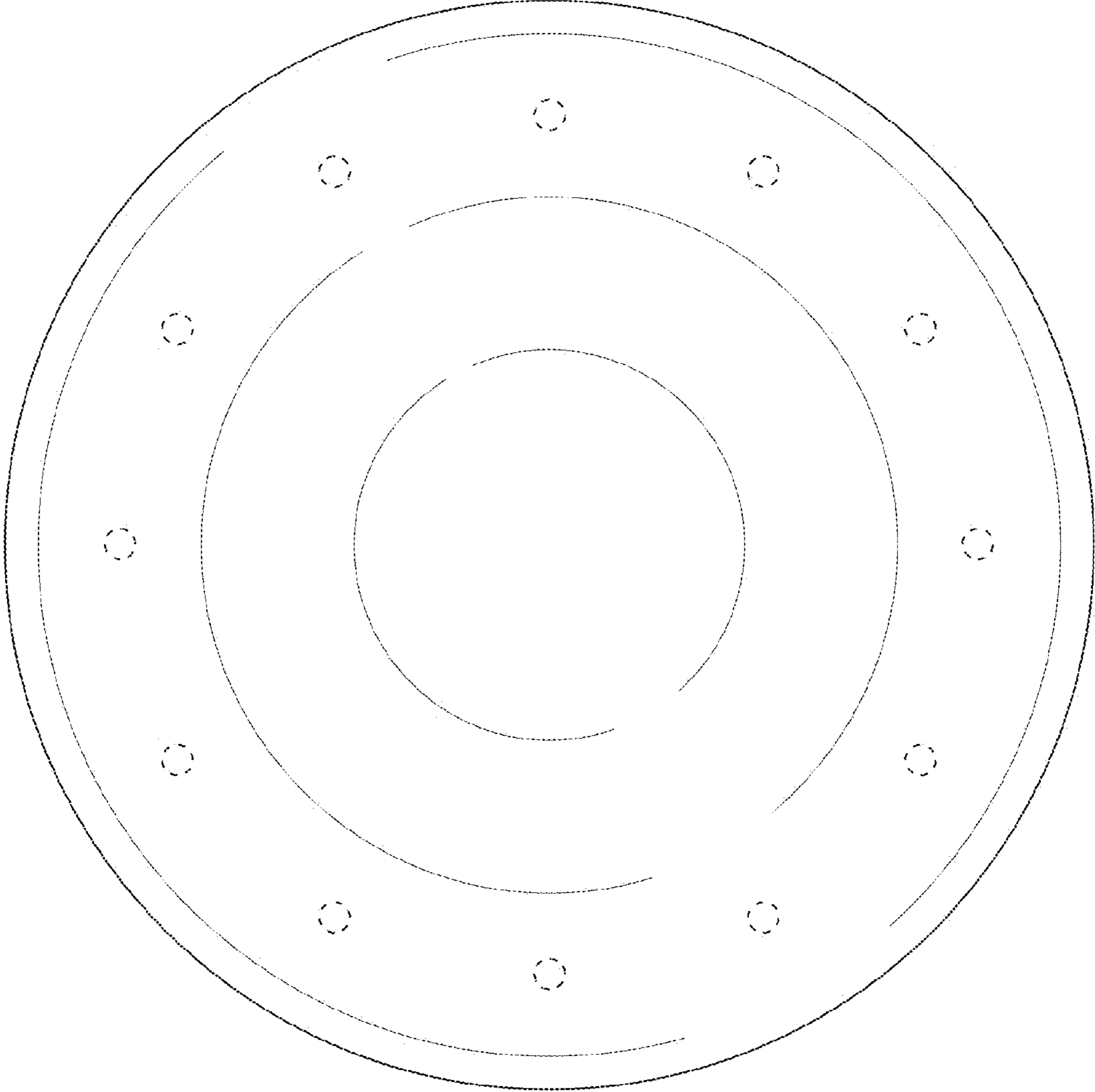


FIG.2

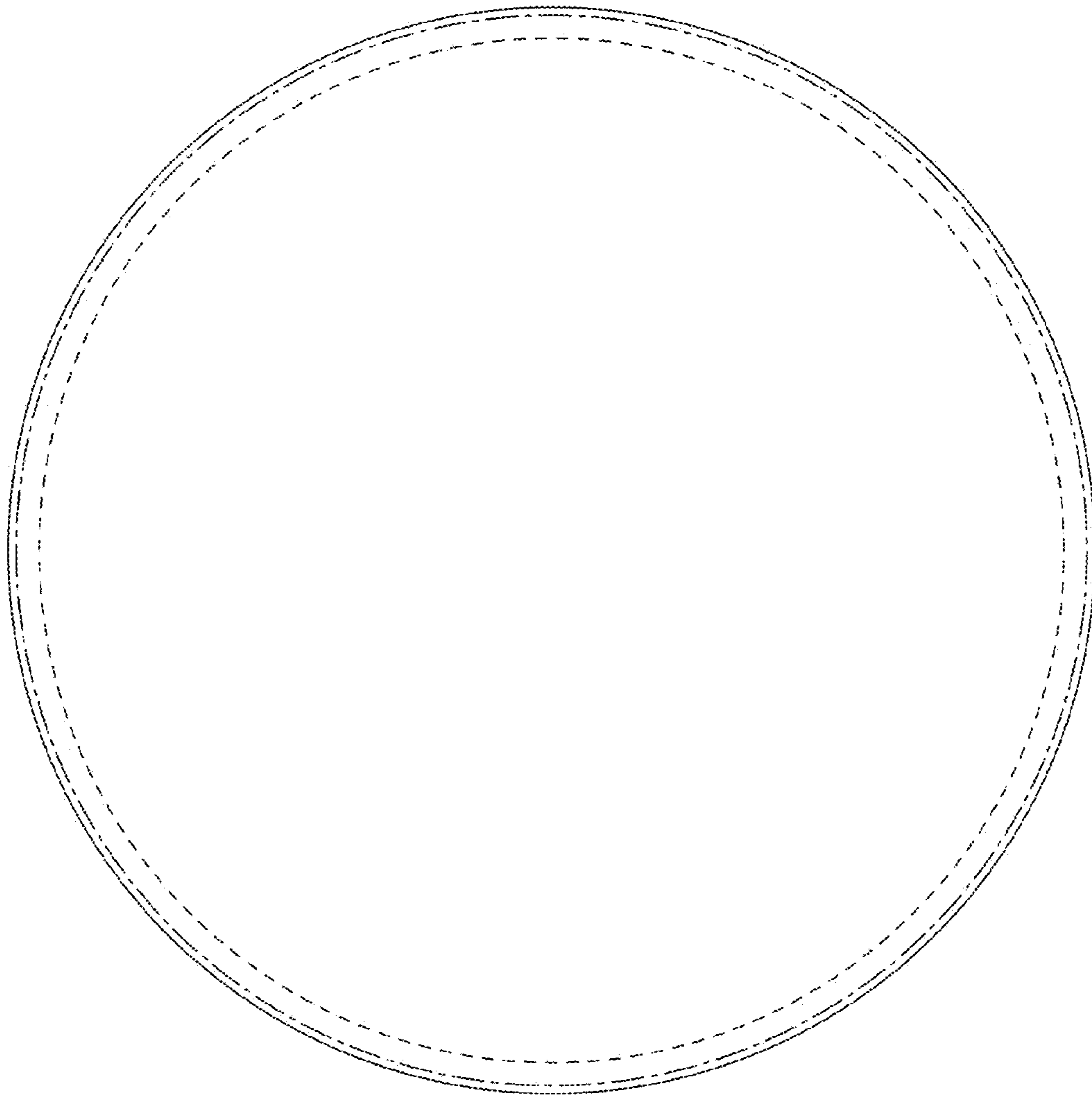


FIG.3

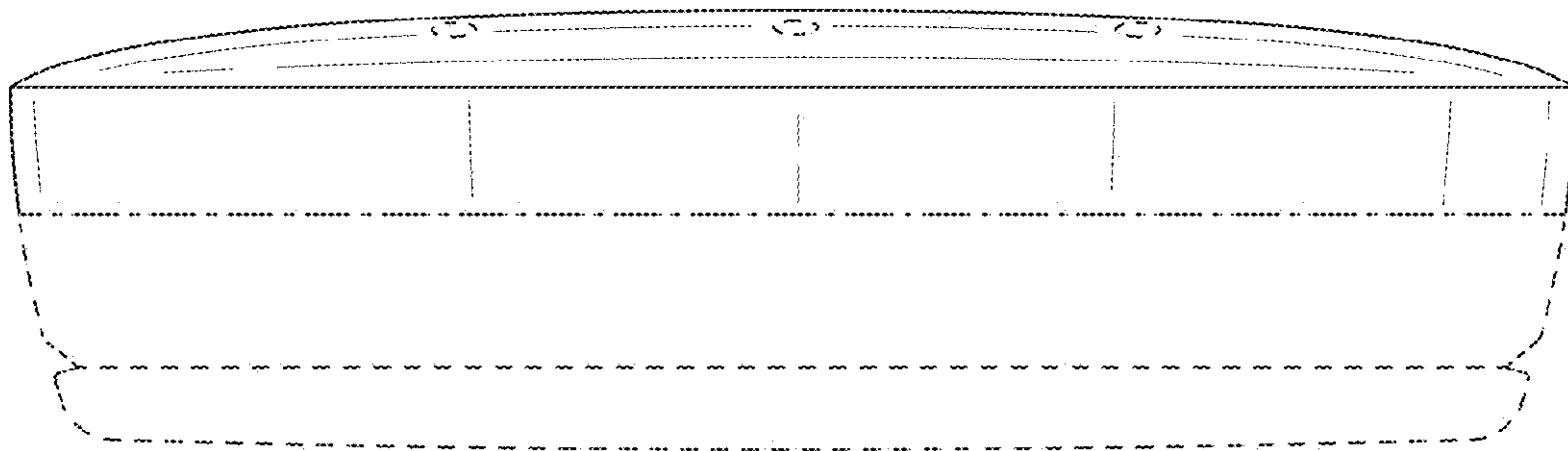


FIG.4