



US00D761675S

(12) **United States Design Patent**
Thaveeprungsriporn et al.

(10) **Patent No.:** **US D761,675 S**
(45) **Date of Patent:** **** Jul. 19, 2016**

(54) **WEARABLE BIOSENSOR WATCH**

(71) Applicant: **Nitto Denko Corporation**, Osaka (JP)

(72) Inventors: **Visit Thaveeprungsriporn**, Singapore (SG); **Juliana Chua**, Singapore (SG); **Irwan Kassim**, Singapore (SG)

(73) Assignee: **NITTO DENKO CORPORATION**, Osaka (JP)

(**) Term: **15 Years**

(21) Appl. No.: **29/528,431**

(22) Filed: **May 28, 2015**

(30) **Foreign Application Priority Data**

Dec. 31, 2014 (SG) 30201400305R
May 20, 2015 (SG) 30201501005Y

(51) **LOC (10) Cl.** **10-04**

(52) **U.S. Cl.**
USPC **D10/70; D10/38; D10/97; D10/98; D24/167; D14/344**

(58) **Field of Classification Search**
USPC D10/38, 70, 97, 98; D24/167; D14/344
CPC A44C 5/00-5/16; G04B 37/00-37/228; G04B 45/0069; G04B 47/04; G04B 19/00-19/34; G04B 21/12; G04B 23/12; G04B 47/00-47/068; G01C 17/00; G01C 21/00-21/3697

See application file for complete search history.

(56) **References Cited**

U.S. PATENT DOCUMENTS

D361,042 S * 8/1995 Nanayakkara D10/30
D528,439 S * 9/2006 Burton D10/32
D528,928 S * 9/2006 Burton D10/38
D708,534 S * 7/2014 Martin D10/104.1
D729,653 S * 5/2015 Nuovo D10/103
D741,726 S * 10/2015 Akana D10/30

D745,005 S * 12/2015 Kim D10/38
D753,510 S * 4/2016 Puttorngul D10/30
9,318,907 B2 * 4/2016 Huang H02J 7/0045

* cited by examiner

Primary Examiner — Antoine D Davis

(74) *Attorney, Agent, or Firm* — Innovation Capital Law Group, LLP; Vic Lin

(57) **CLAIM**

We claim the ornamental design for the wearable biosensor watch, as shown and described.

DESCRIPTION

FIG. 1A is a top perspective view of a wearable biosensor watch;

FIG. 1B is a bottom perspective view of the wearable biosensor watch;

FIG. 2 is a top plan view of the wearable biosensor watch;

FIG. 3 is back plan view of the wearable biosensor watch;

FIG. 4 is a right elevation view of the wearable biosensor watch;

FIG. 5 is a left elevation view of the wearable biosensor watch;

FIG. 6A is a close up, top perspective view of the wearable biosensor watch;

FIG. 6B is a close up, bottom perspective view of the wearable biosensor watch;

FIG. 7 is a close up, top plan view of the wearable biosensor watch;

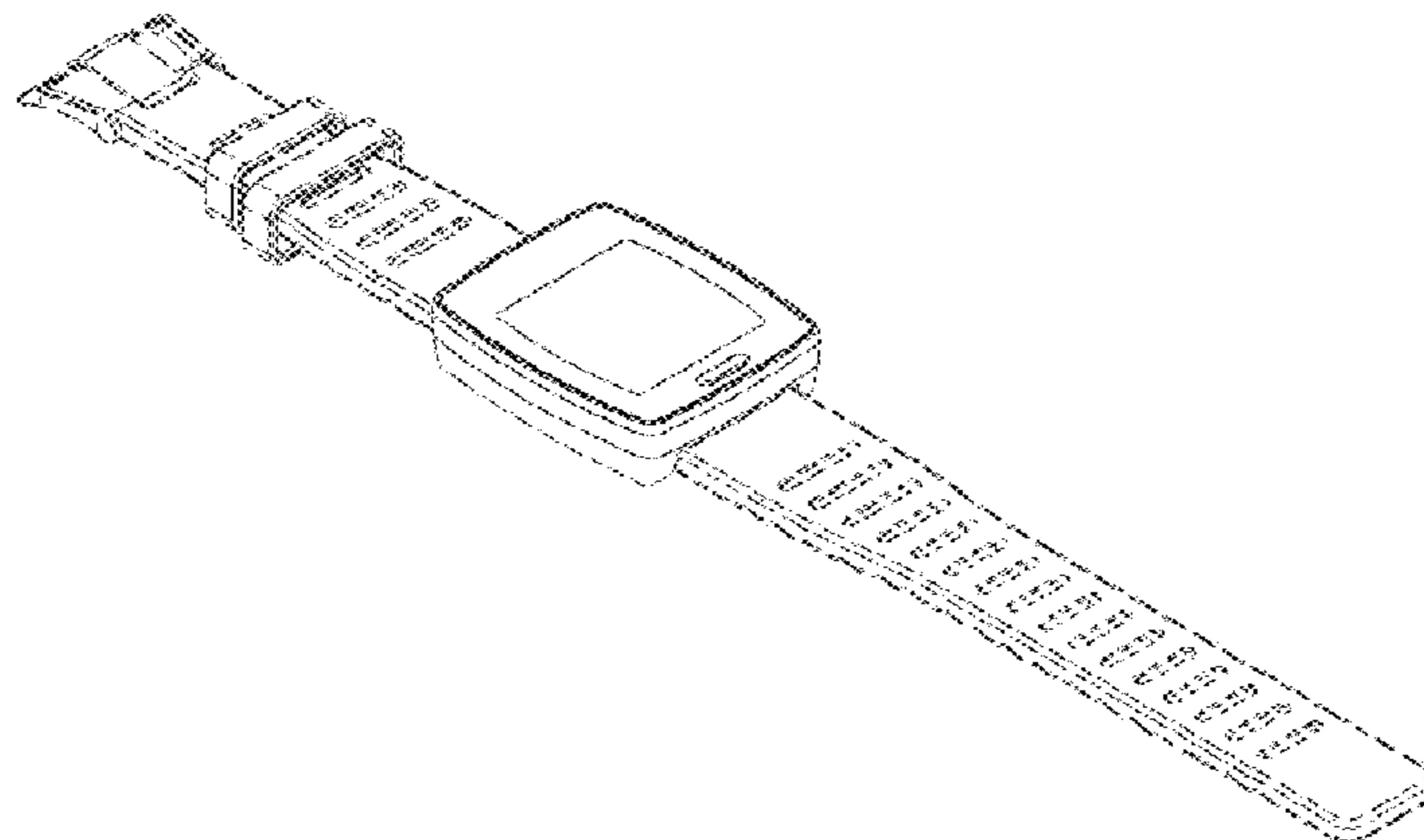
FIG. 8 is a close up, back plan view of the wearable biosensor watch;

FIG. 9 is a close up, right elevation view of the wearable biosensor watch; and,

FIG. 10 is a left elevation view of the wearable biosensor watch.

The broken lines shown in the figures are directed to environmental structure of the wearable biosensor watch and are for illustrative purposes only. The broken lines form no part of the claimed design.

1 Claim, 12 Drawing Sheets



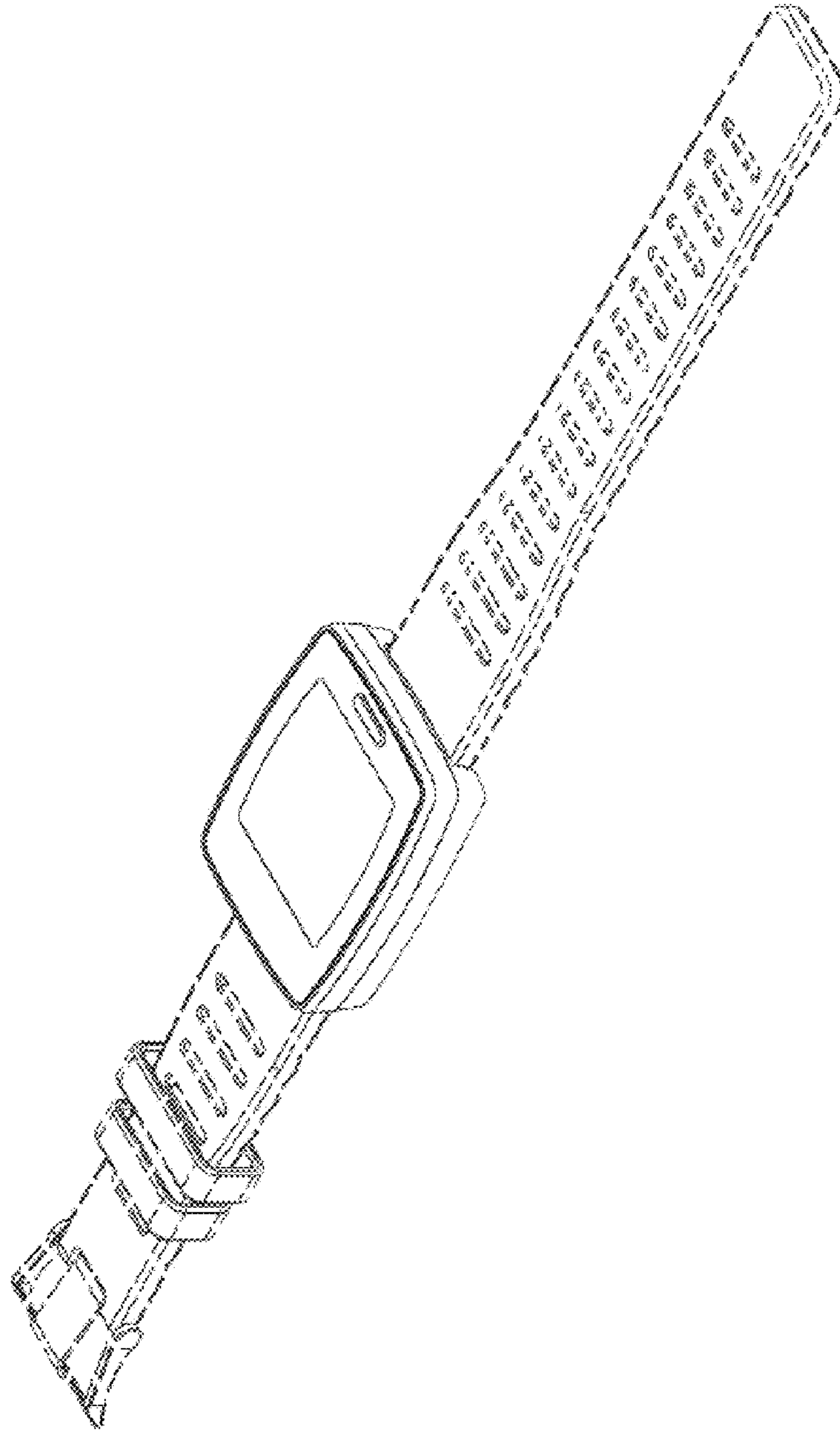


FIG. 1A

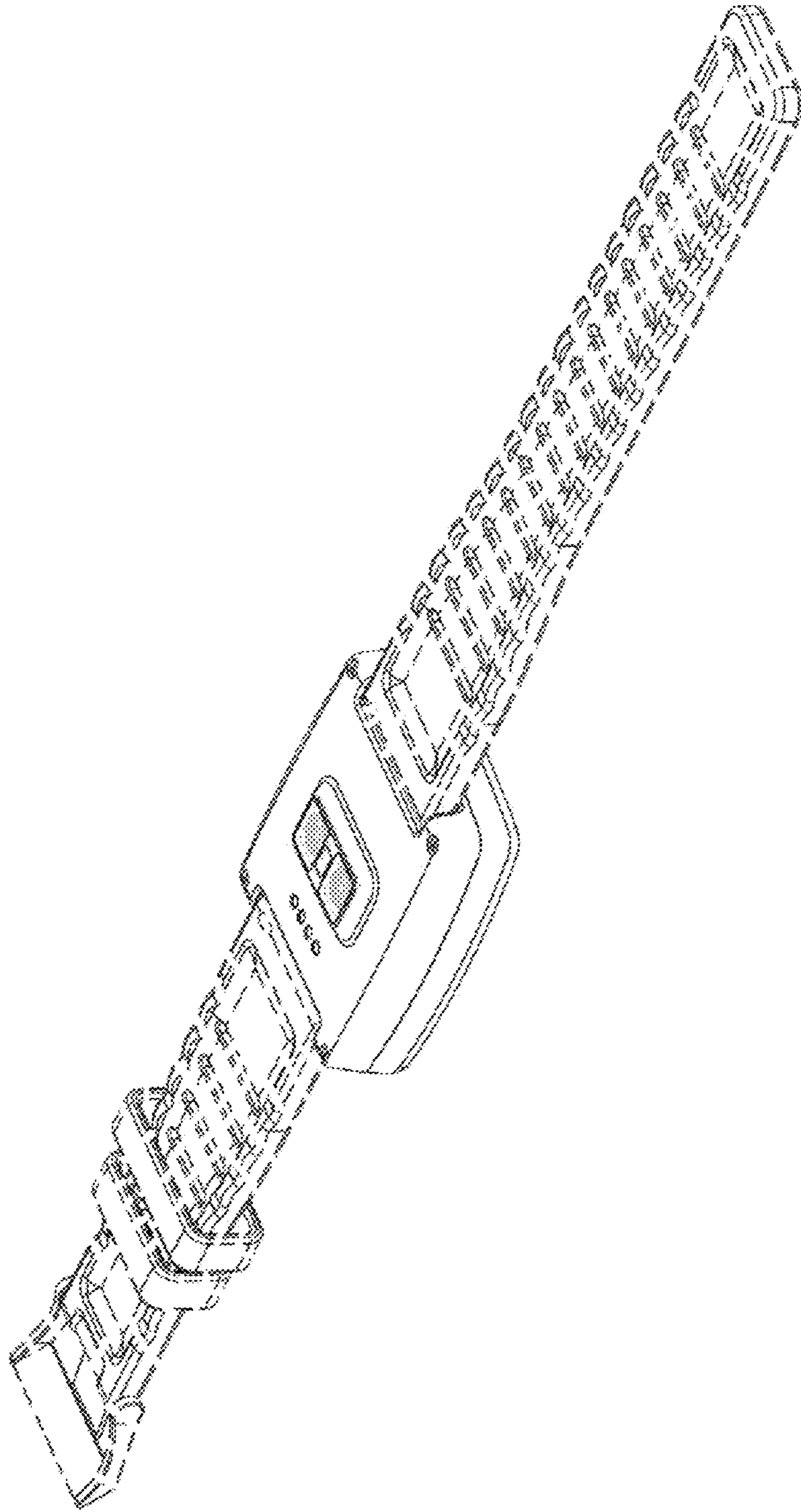


FIG. 1B

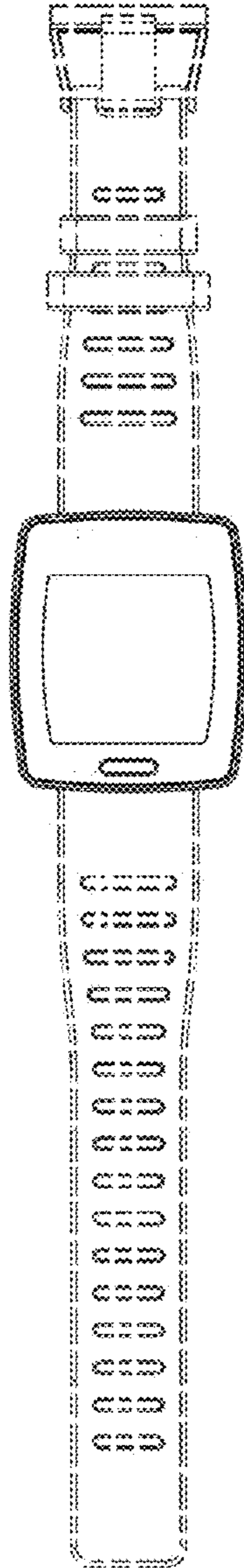


FIG. 2

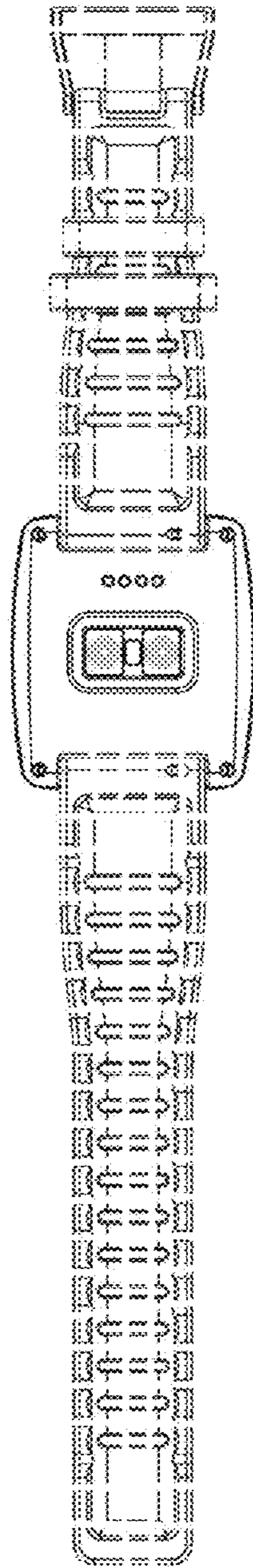


FIG. 3

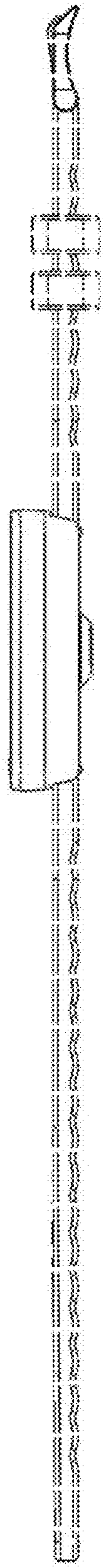


FIG. 4

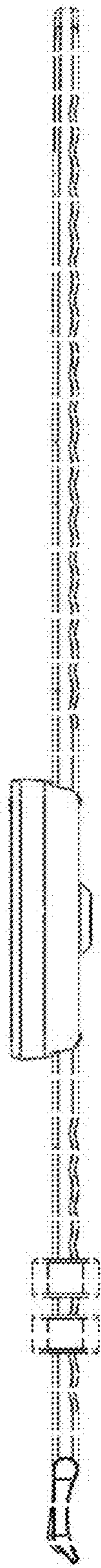


FIG. 5

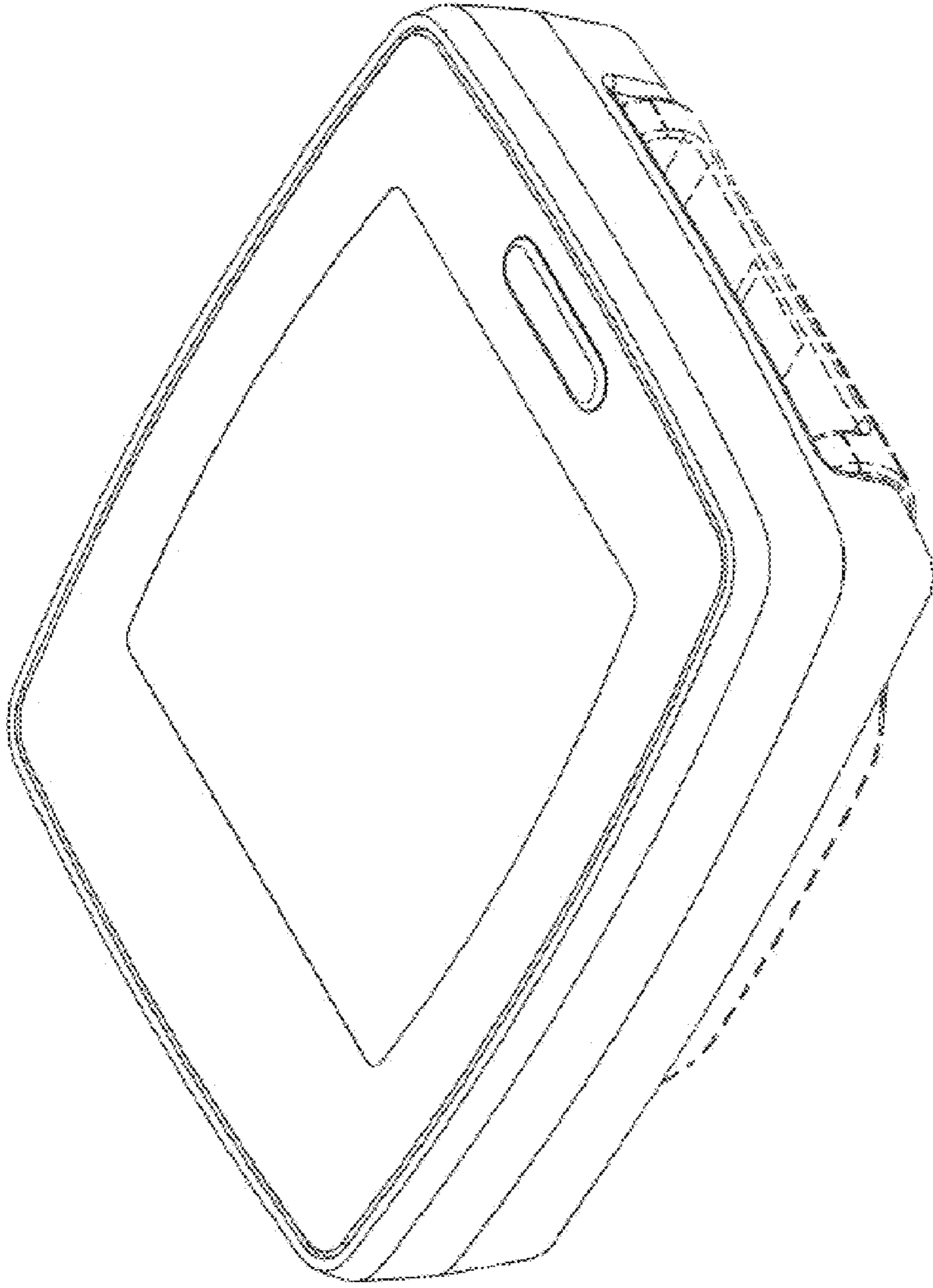


FIG. 6A

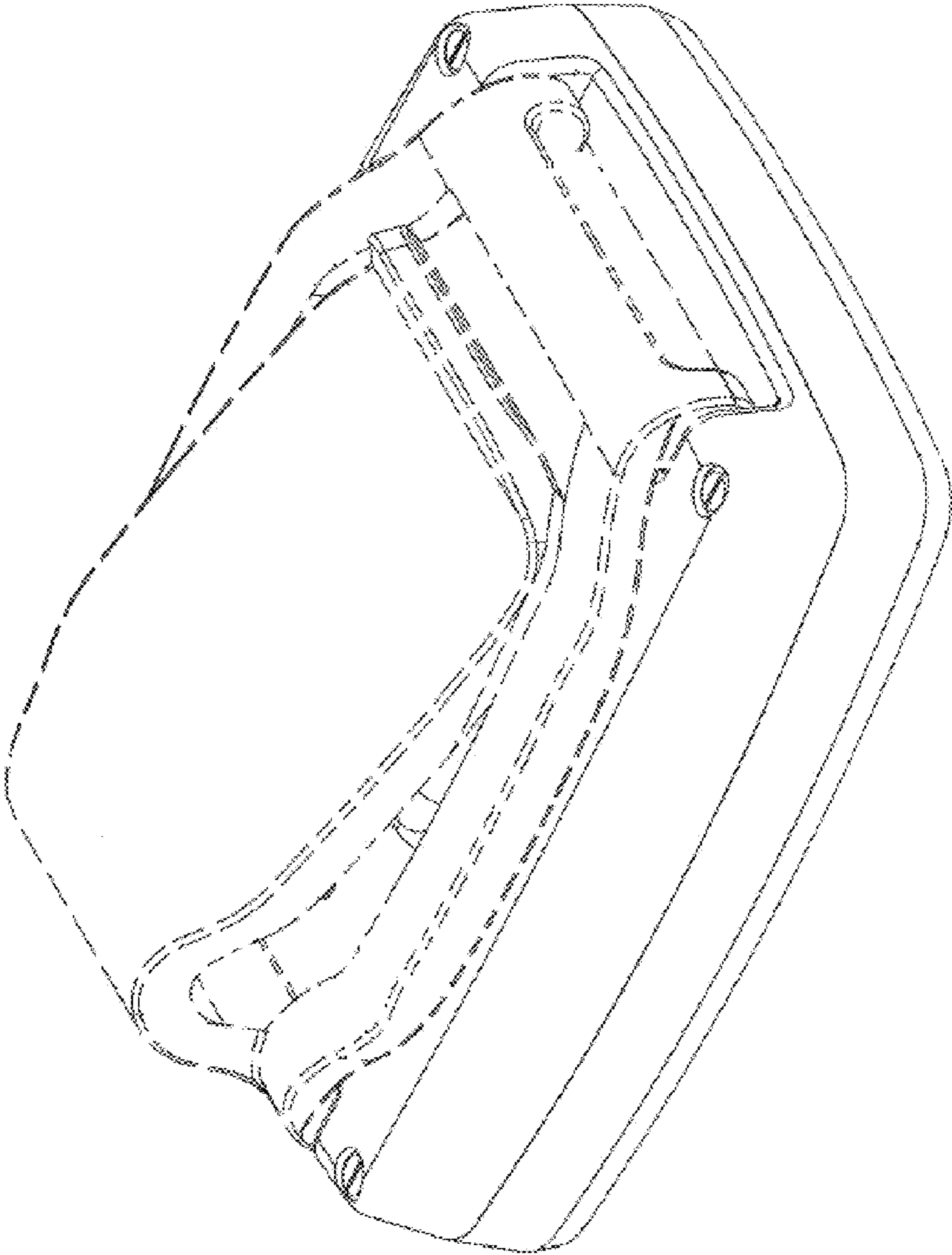


FIG. 6B

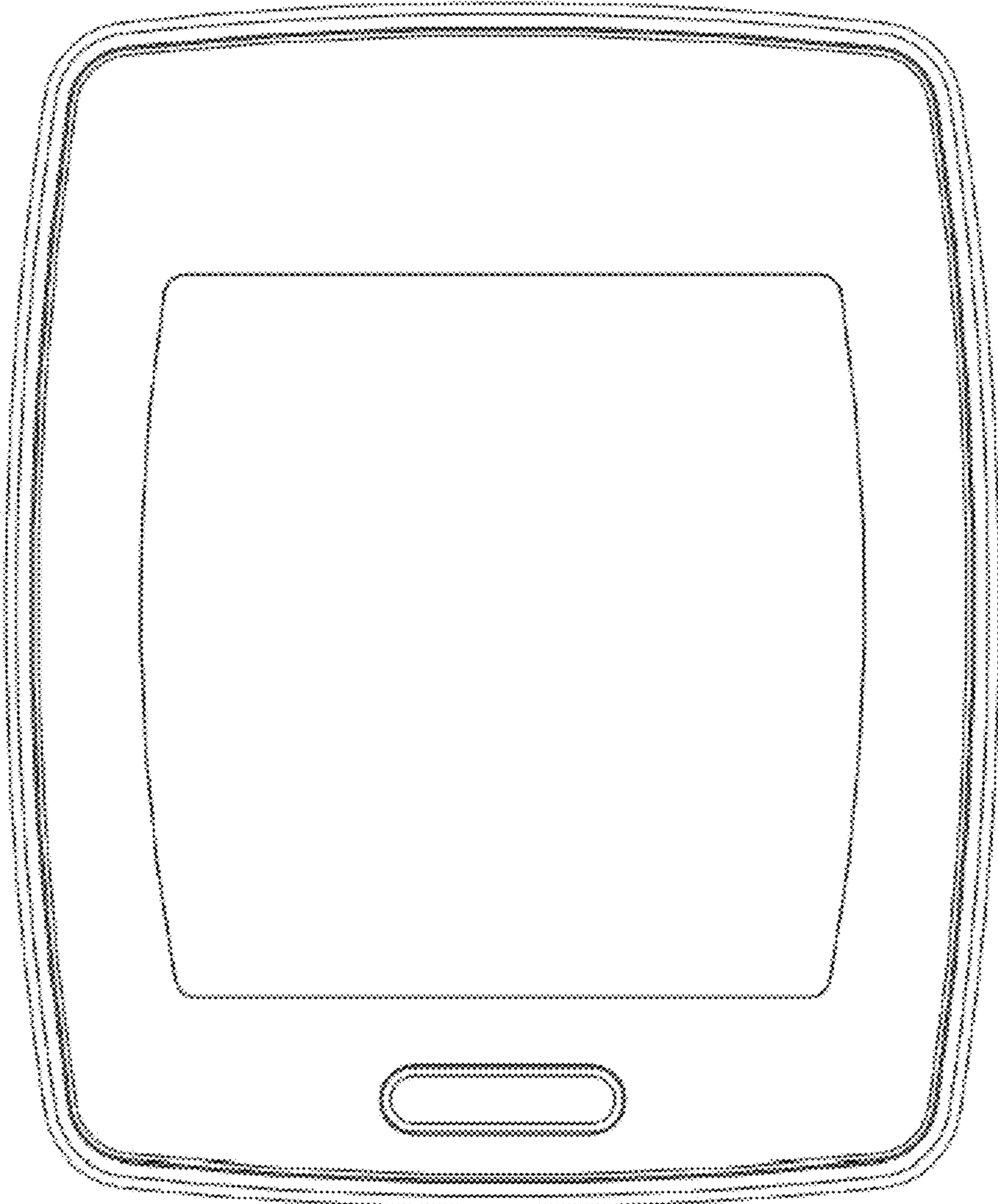


FIG. 7

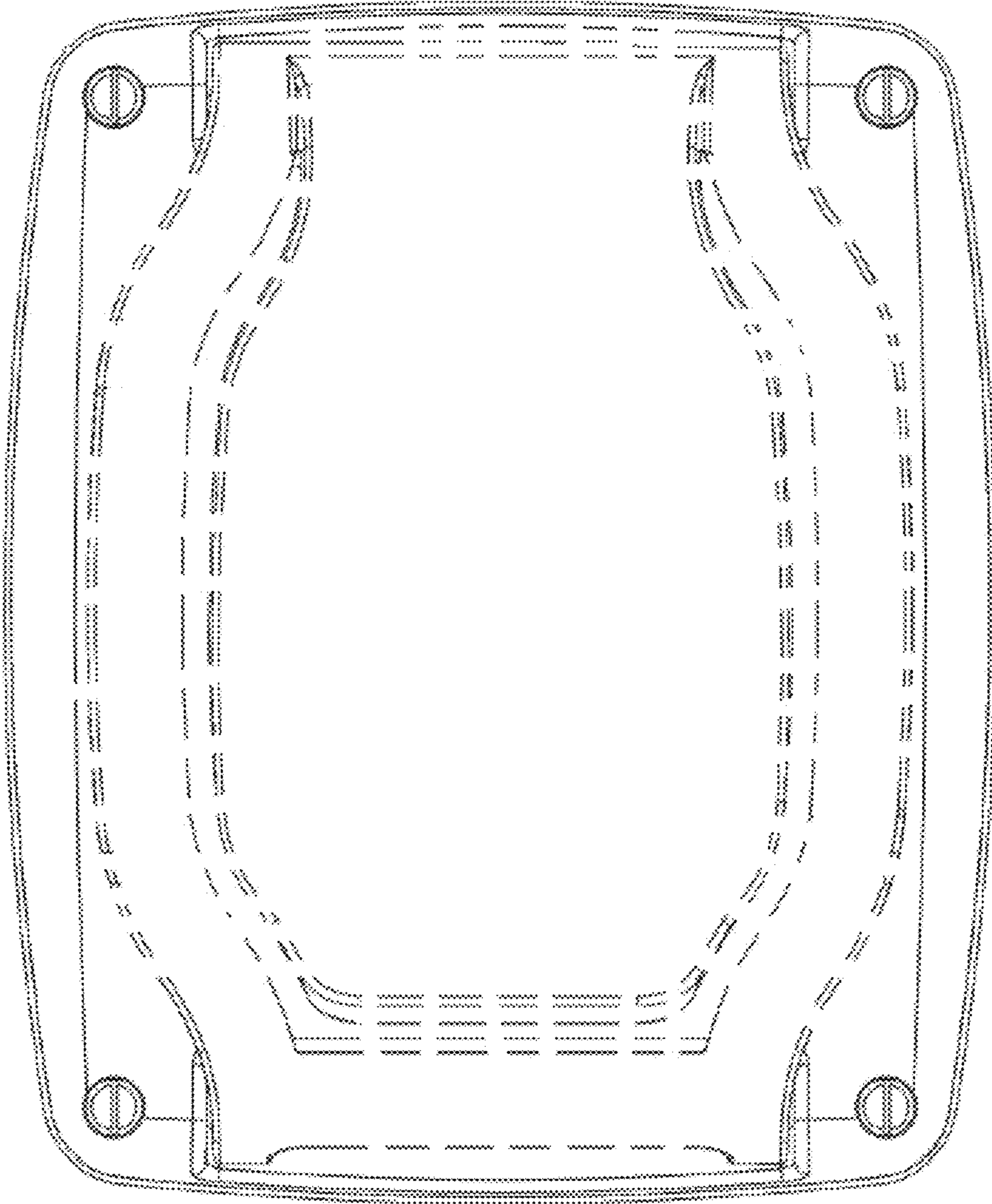


FIG. 8

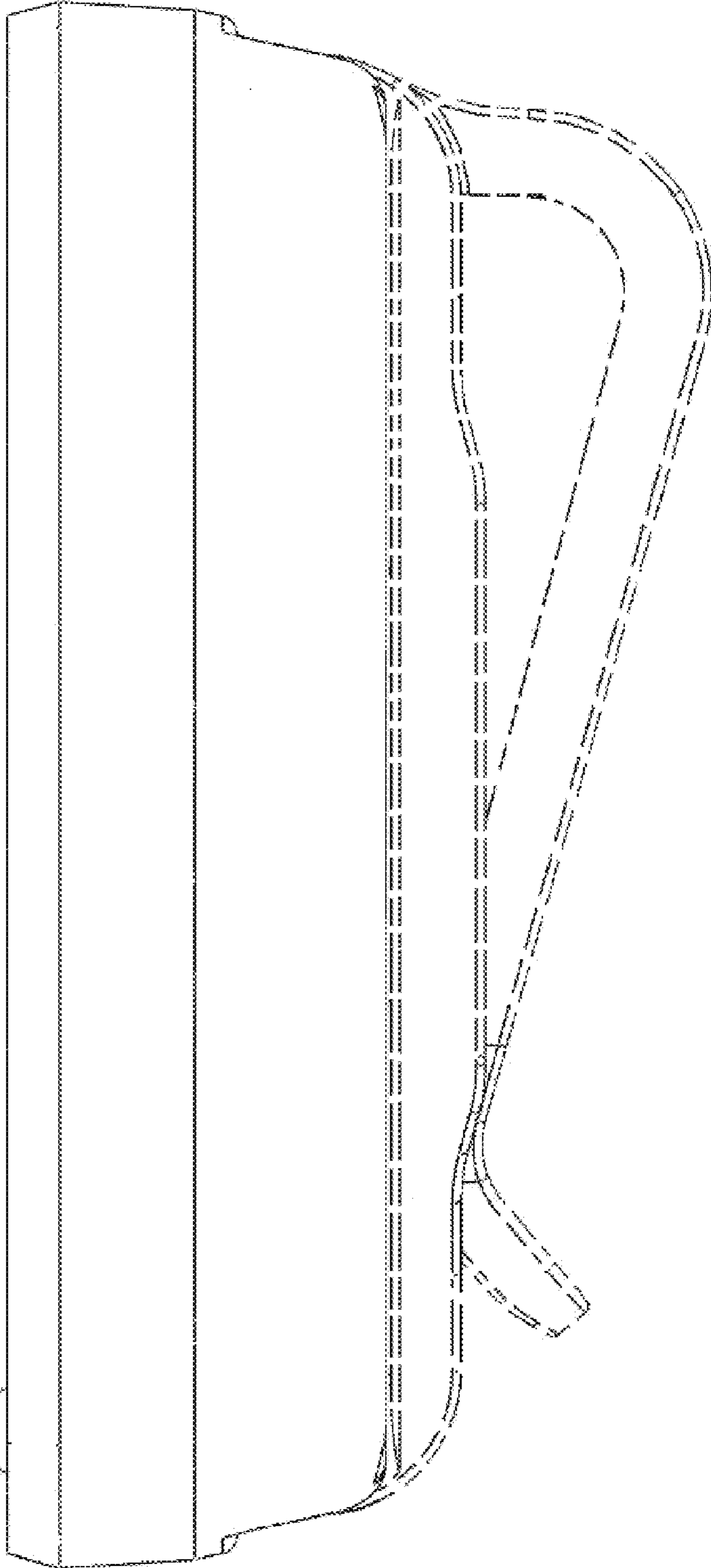


FIG. 9

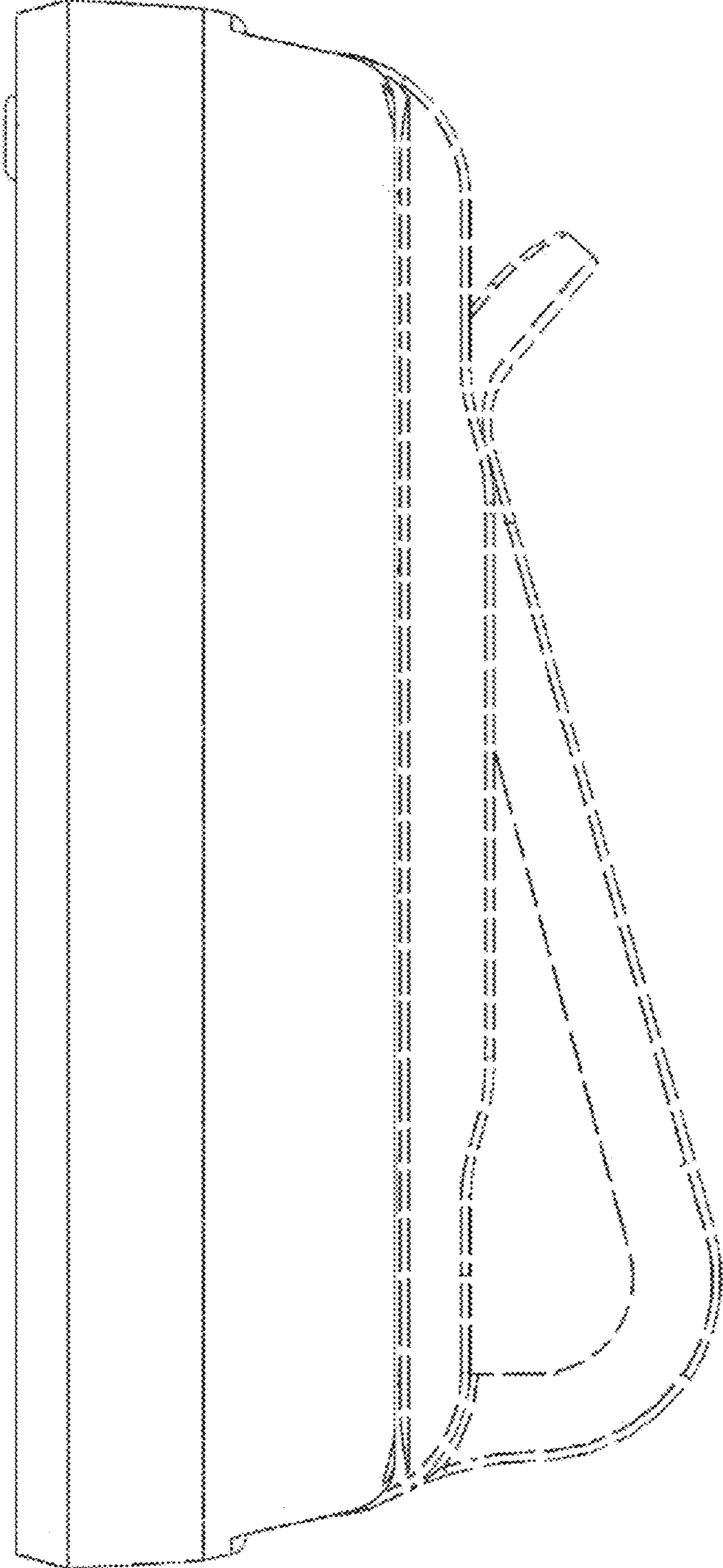


FIG. 10