



US00D761674S

(12) **United States Design Patent**  
**Nikaido**

(10) **Patent No.:** **US D761,674 S**  
(45) **Date of Patent:** **\*\* Jul. 19, 2016**

(54) **SURVEYING INSTRUMENT**

FOREIGN PATENT DOCUMENTS

- (71) Applicant: **Nikon-Trimble Co., Ltd.**, Tokyo (JP)
- (72) Inventor: **Shota Nikaido**, Tokyo (JP)
- (73) Assignee: **Nikon-Trimble Co., Ltd.** (JP)
- (\*\*) Term: **14 Years**
- (21) Appl. No.: **29/522,211**
- (22) Filed: **Mar. 27, 2015**

JP	1377999	1/2010
JP	1378000	1/2010
JP	1378001	1/2010
JP	1378087	1/2010
JP	1378088	1/2010
JP	1378089	1/2010
JP	1457861	12/2012
JP	1457862	12/2012
JP	1458073	12/2012
JP	1458074	12/2012

\* cited by examiner

(30) **Foreign Application Priority Data**

Sep. 30, 2014 (JP) ..... 2014-021691

(51) **LOC (10) Cl.** ..... **10-04**

(52) **U.S. Cl.**  
USPC ..... **D10/66**

(58) **Field of Classification Search**  
USPC ..... D10/65, 66, 70  
CPC ..... G01C 15/00; G01C 15/06; G01C 15/002;  
G01C 15/004; G01C 15/08; G01C 15/10;  
G01C 15/105; G01C 15/12; G01C 15/14;  
G01C 21/16; G01C 21/165; G01C 25/00;  
G01C 1/04; G01C 3/08; G01S 19/49; G01S  
19/51; G01S 5/12; G01S 5/16  
See application file for complete search history.

(56) **References Cited**

U.S. PATENT DOCUMENTS

- D629,314 S \* 12/2010 Ogasawara ..... D10/66
- 8,537,376 B2 \* 9/2013 Brown ..... G01C 15/002  
356/614
- D705,678 S \* 5/2014 Steffey ..... D10/66
- D723,953 S \* 3/2015 Ishii ..... D10/66

*Primary Examiner* — Antoine D Davis

(74) *Attorney, Agent, or Firm* — Schwegman Lundberg & Woessner, P.A.

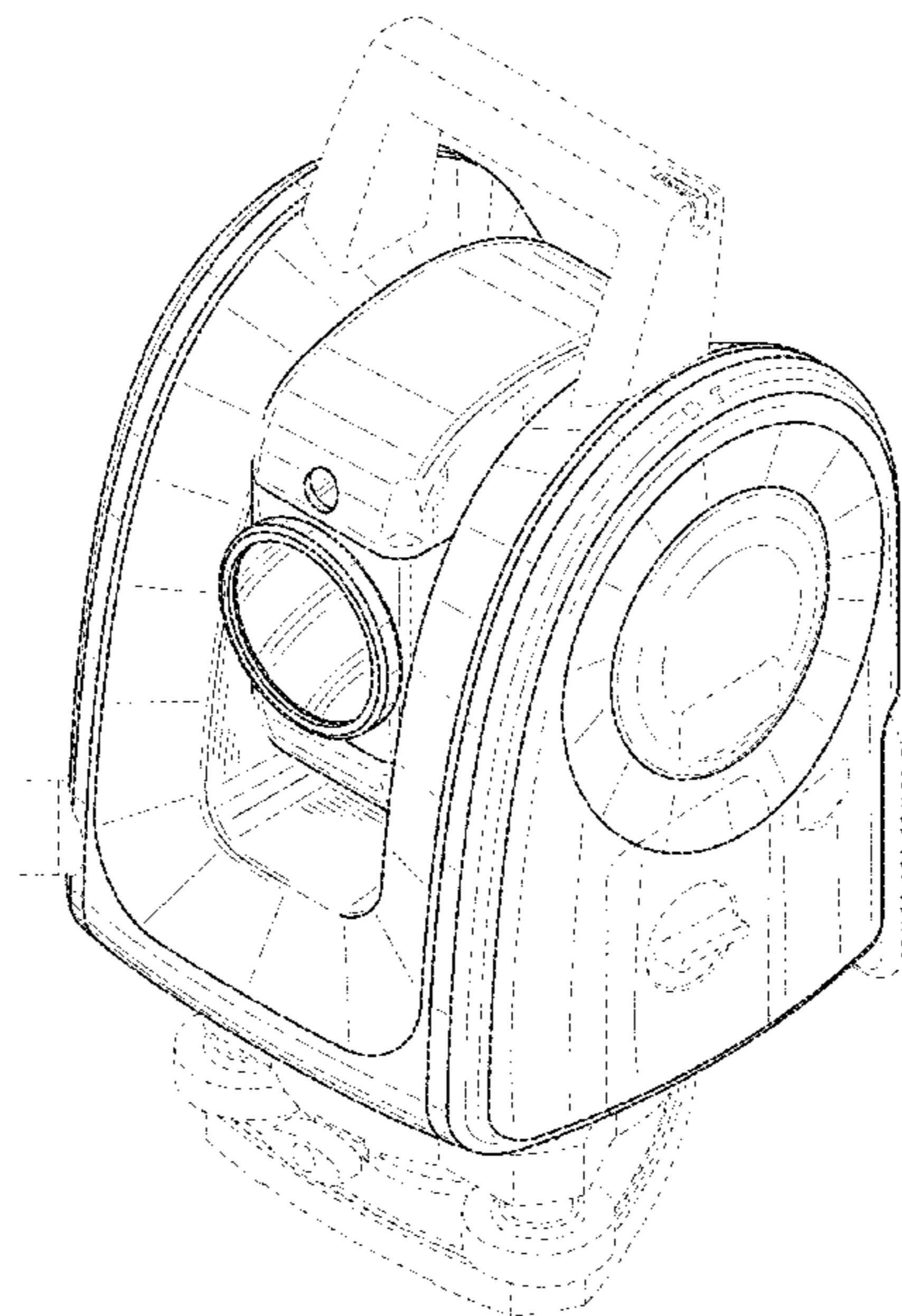
(57) **CLAIM**

The ornamental design for a surveying instrument, as shown and described.

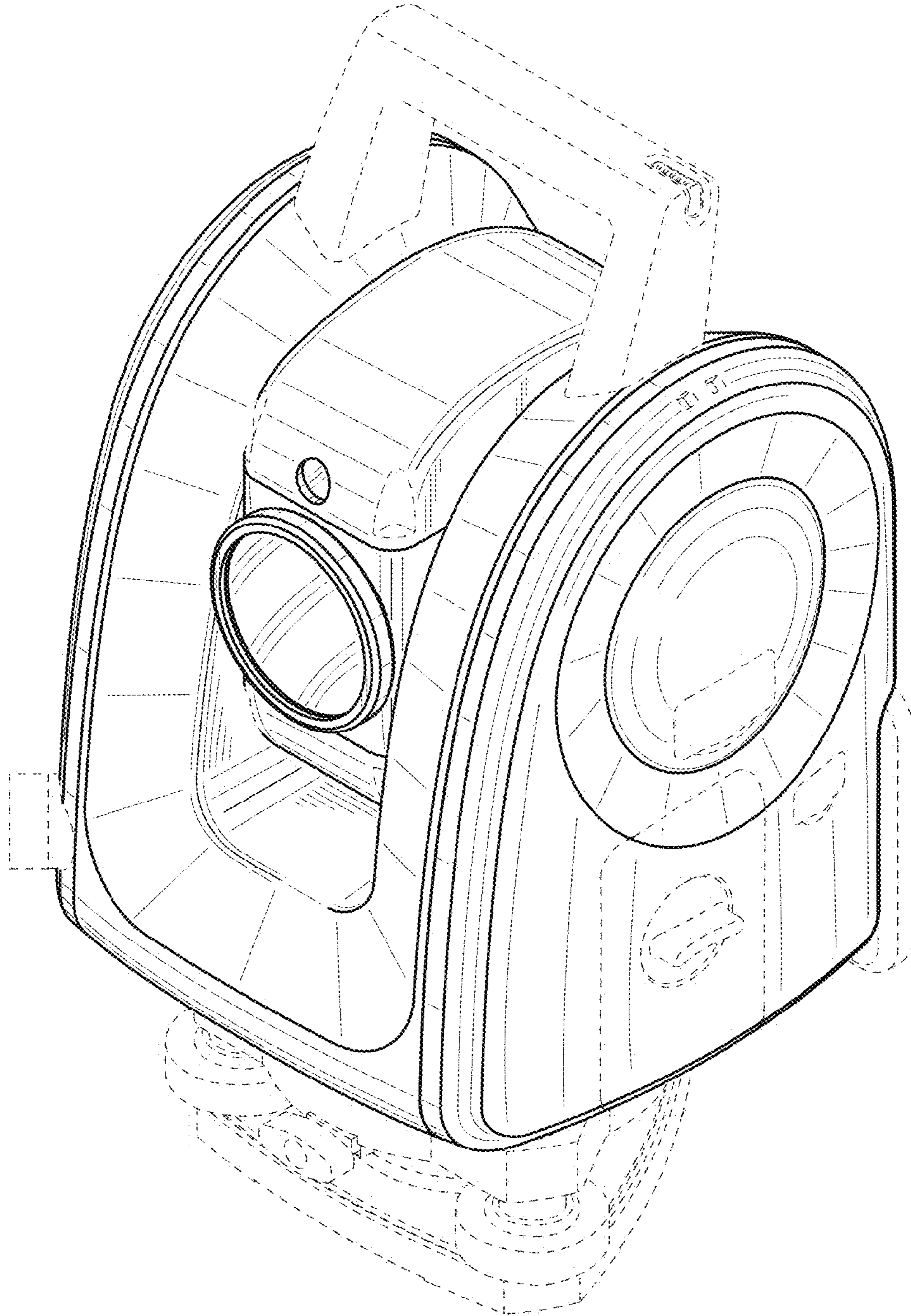
**DESCRIPTION**

FIG. 1 is a front, top, and right side perspective view of a surveying instrument showing my new design;  
 FIG. 2 is a rear, top, and left side perspective view thereof;  
 FIG. 3 is a front elevational view thereof;  
 FIG. 4 is a rear elevational view thereof;  
 FIG. 5 is a top plan view thereof;  
 FIG. 6 is a bottom plan view thereof;  
 FIG. 7 is a right side elevational view thereof; and,  
 FIG. 8 is a left side elevational view thereof.  
 The features shown in broken lines in the drawings depict environmental subject matter only and form no part of the claimed design.

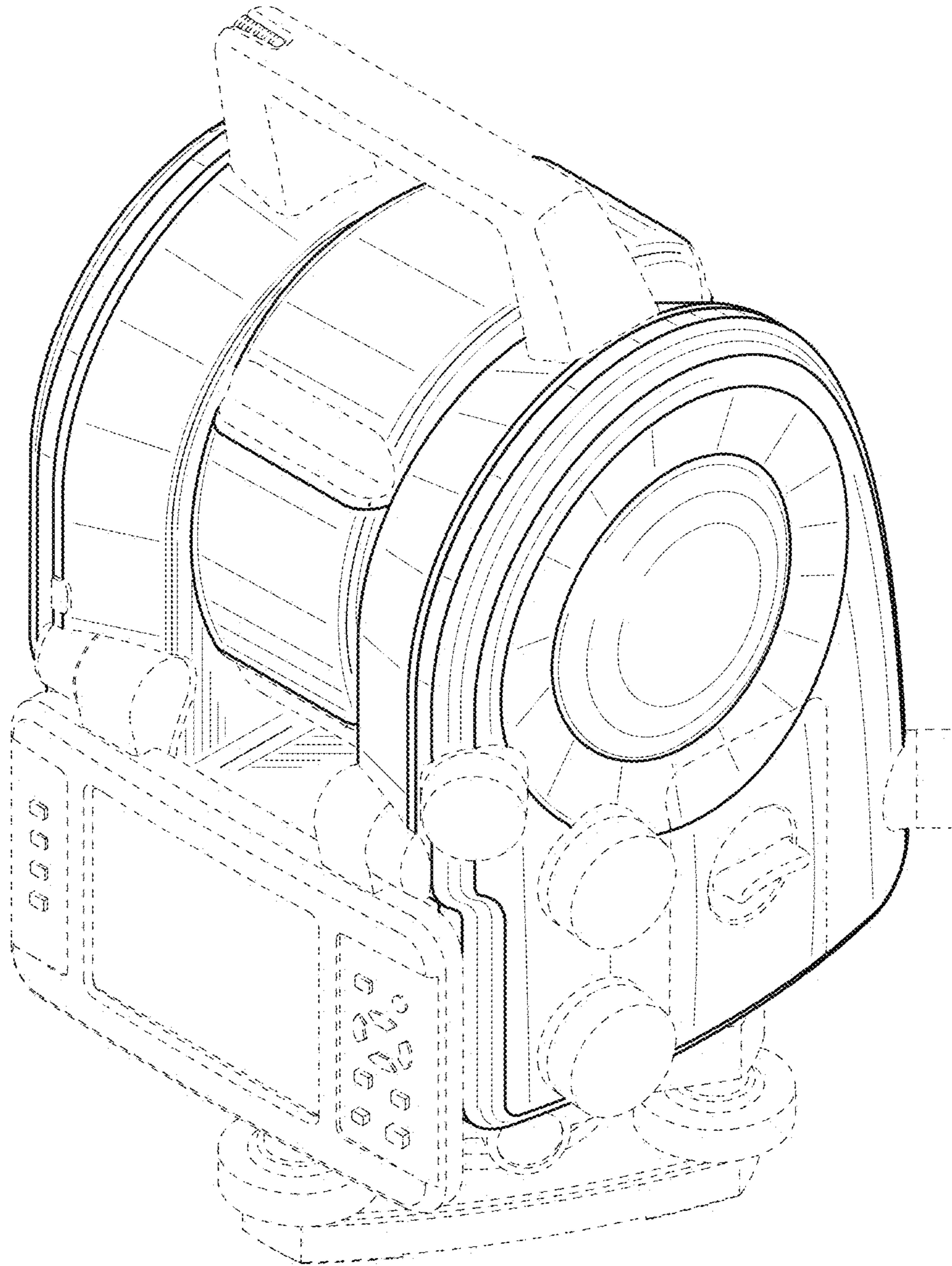
**1 Claim, 8 Drawing Sheets**



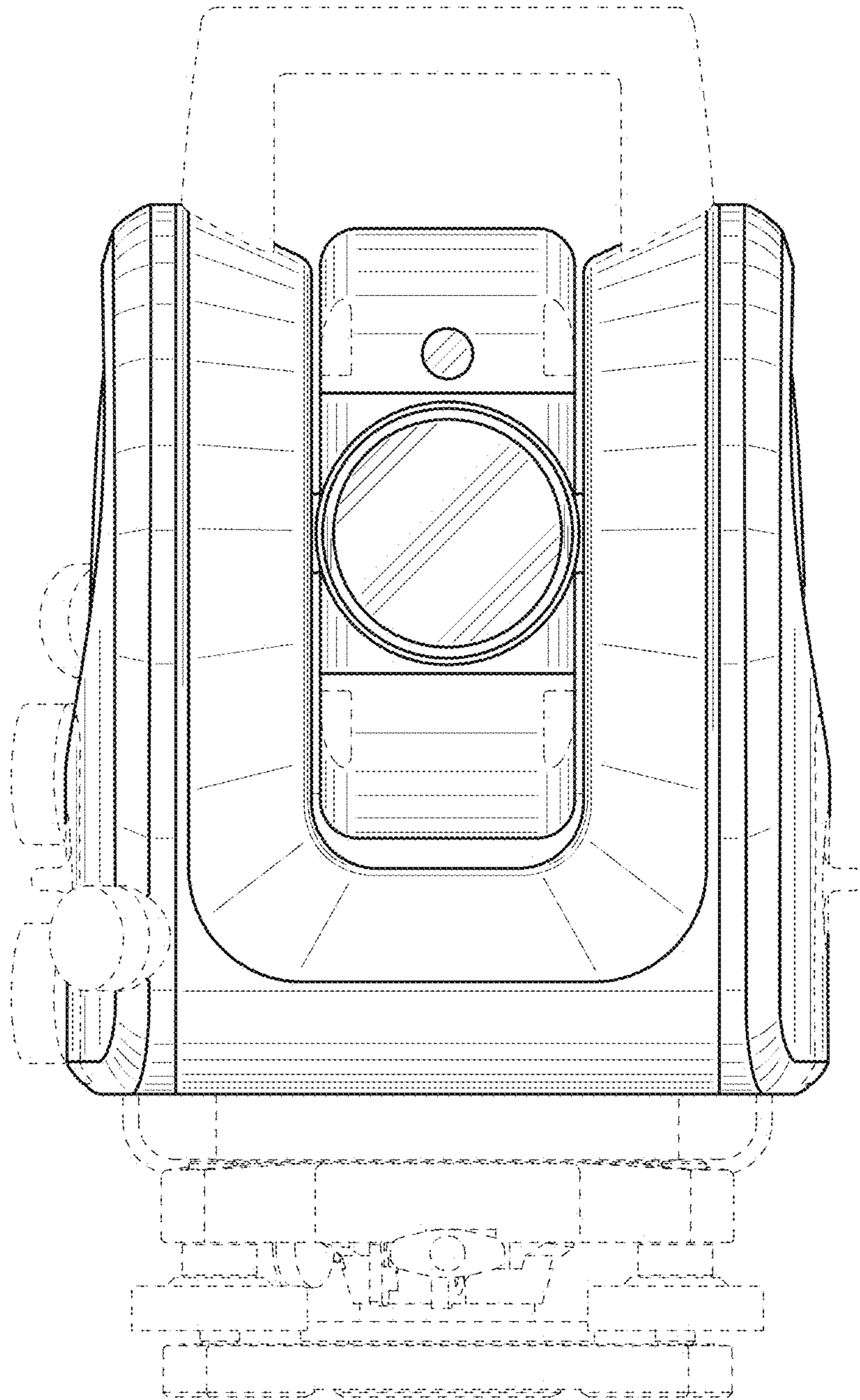
**FIG. 1**



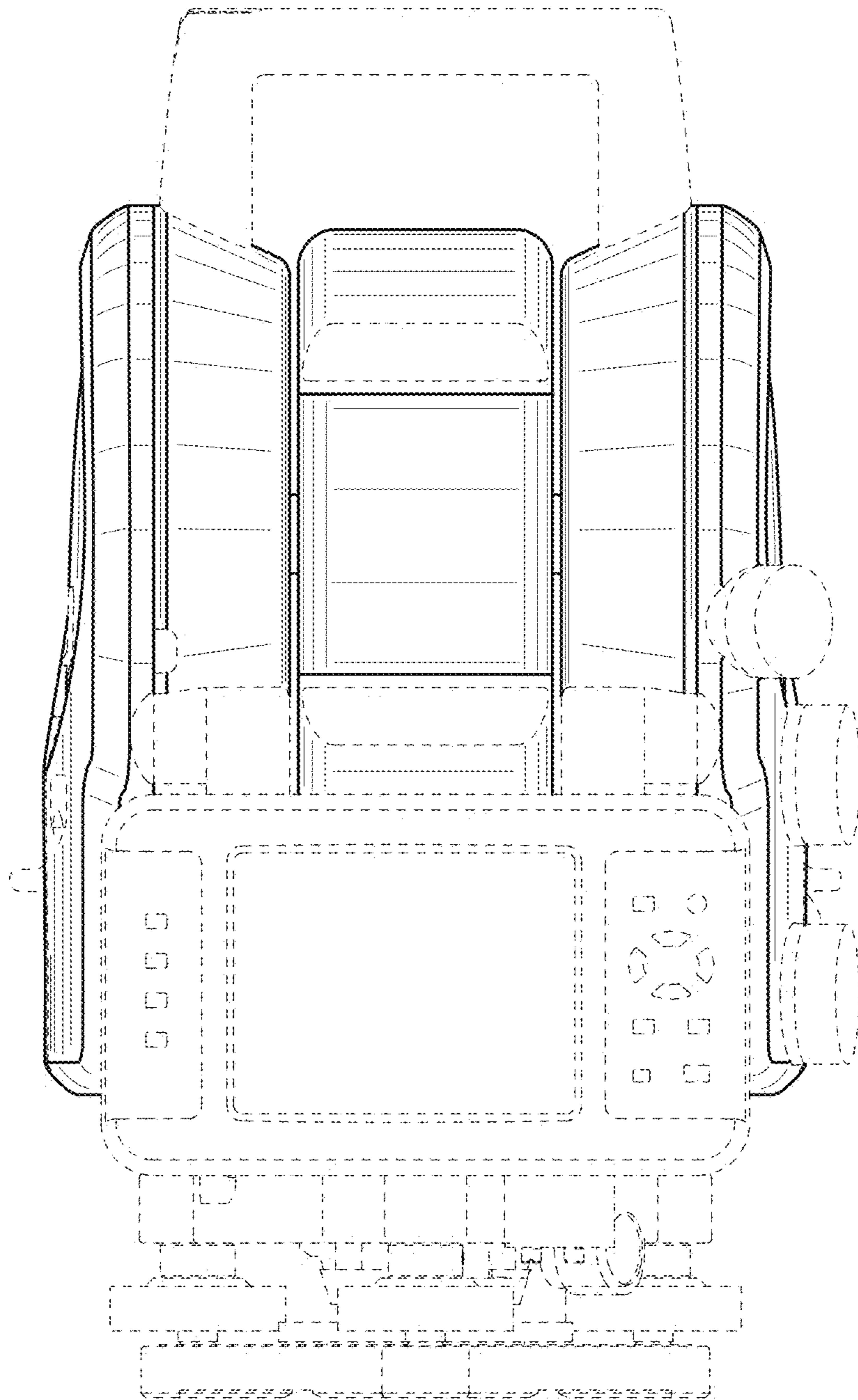
**FIG. 2**



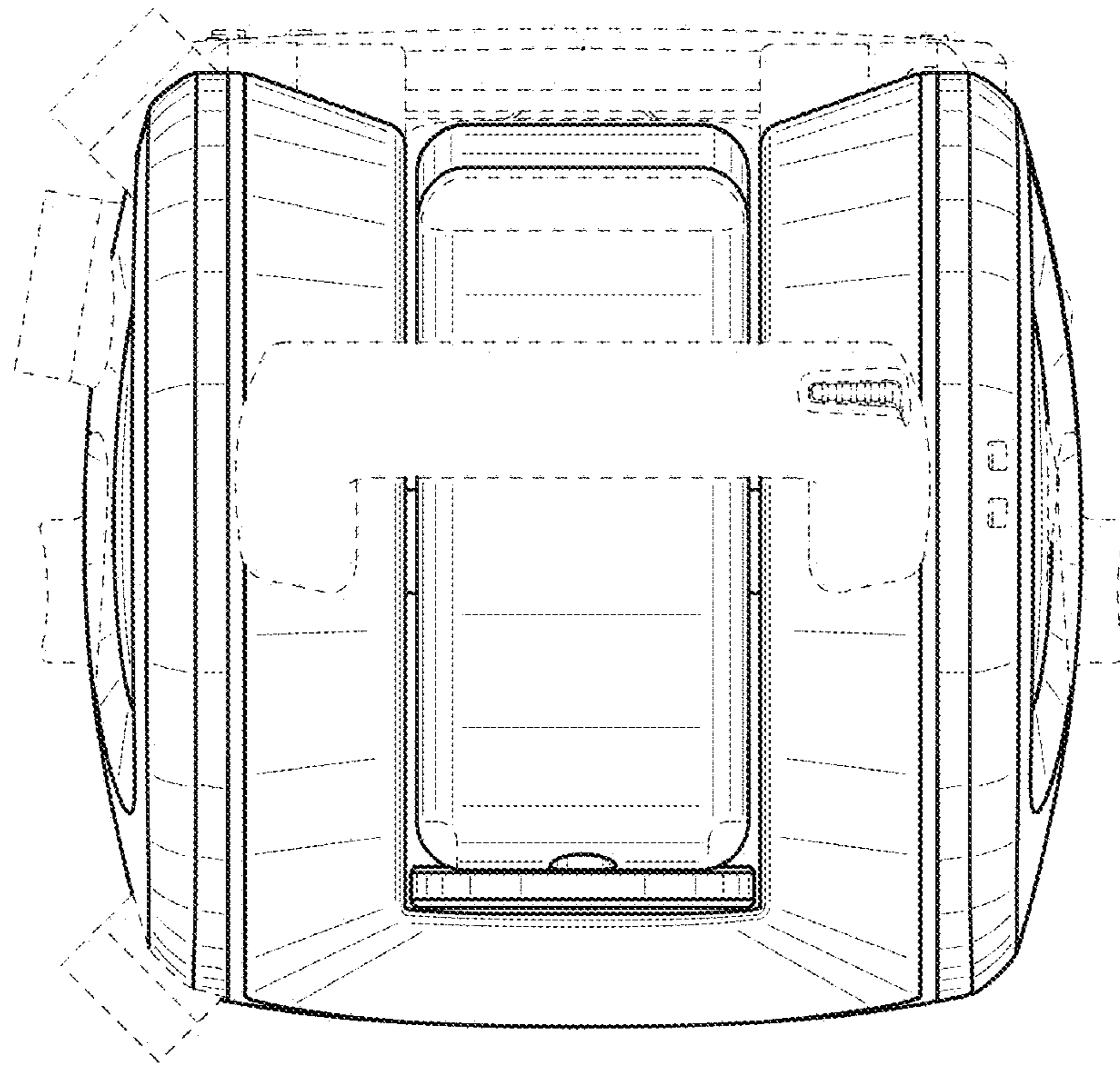
*FIG. 3*



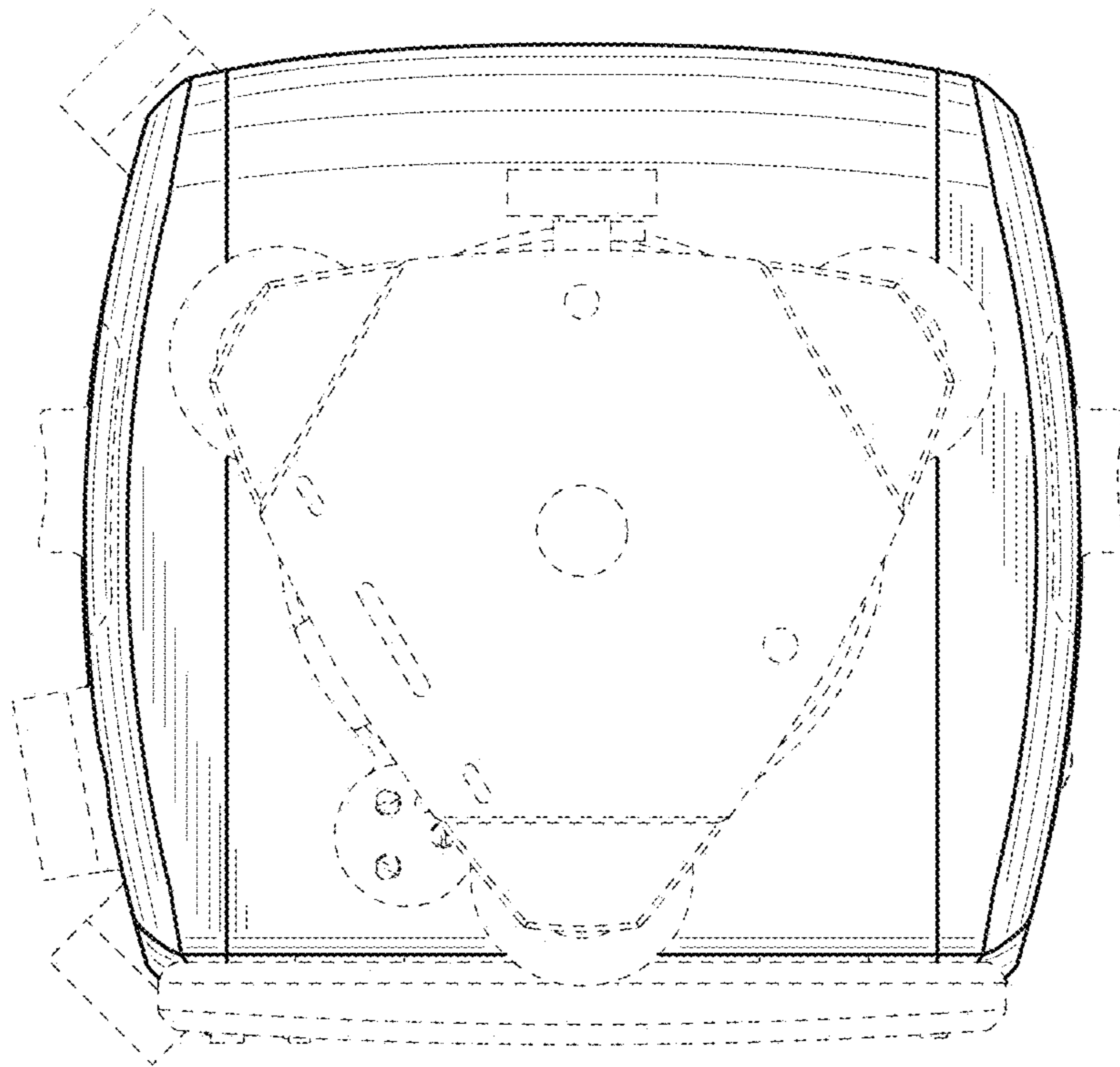
*FIG. 4*



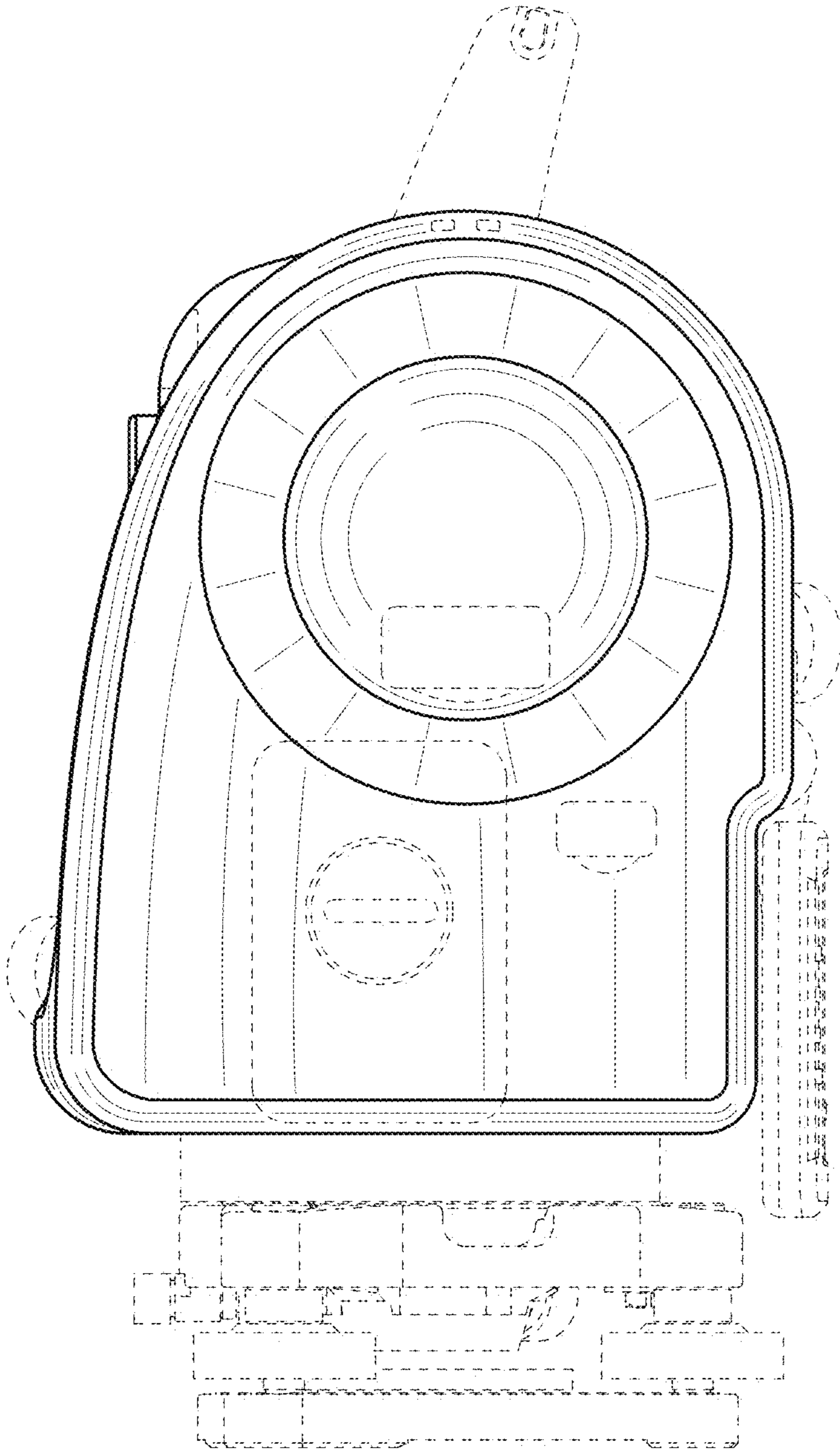
*FIG. 5*



**FIG. 6**



**FIG. 7**





**FIG. 8**

