



US00D761672S

(12) **United States Design Patent**
Repp

(10) **Patent No.:** **US D761,672 S**
(45) **Date of Patent:** **** Jul. 19, 2016**

(54) **TEMPERATURE DISPLAY DEVICE**

7,066,644 B2 * 6/2006 Padgett G01K 1/02
116/216

(71) Applicant: **Weber-Stephen Products LLC**,
Palatine, IL (US)

7,128,466 B2 10/2006 Chang et al.
7,201,099 B2 4/2007 Harris, Jr. et al.

(Continued)

(72) Inventor: **Timothy C. Repp**, Barkhamsted, CT
(US)

OTHER PUBLICATIONS

(73) Assignee: **Weber-Stephen Products LLC**,
Palatine, IL (US)

No Author. Brookstone, Grill Alert™ Talking Remote Meat Ther-
mometer Instructions, Mar. 18, 2005. 6 pages.

(Continued)

(**) Term: **15 Years**

Primary Examiner — Antoine D Davis

(21) Appl. No.: **29/546,028**

(74) *Attorney, Agent, or Firm* — Niro Law, Ltd.

(22) Filed: **Nov. 18, 2015**

(57) **CLAIM**

The ornamental design for a temperature display device, as
shown and described.

Related U.S. Application Data

DESCRIPTION

(62) Division of application No. 29/508,287, filed on Nov.
4, 2014, now Pat. No. Des. 744,875.

(51) **LOC (10) Cl.** **10-04**

(52) **U.S. Cl.**
USPC **D10/57**

(58) **Field of Classification Search**
USPC D10/57, 58, 60, 103; 374/120–152,
374/170, 171, 208
CPC G01J 5/00–2005/626; G01K 1/00–1/26;
G01K 3/00–2003/145; G01K 5/00–5/72;
G01K 7/00–7/427; G01K 9/00; G01K
11/00–2011/324; G01K 13/00–13/125; G01K
15/00–15/007
See application file for complete search history.

FIG. 1 is a right perspective view of a first embodiment of a
temperature display device showing the present invention;
FIG. 2 is a front elevational view thereof;
FIG. 3 is a rear elevational view thereof;
FIG. 4 is a left side elevational view thereof; and
FIG. 5 is a right side elevational view thereof.
FIG. 6 is a top plan view thereof; and
FIG. 7 is a bottom plan view thereof.
FIG. 8 is a right perspective view of a second embodiment of
a temperature display device showing the present invention;
FIG. 9 is a front elevational view thereof;
FIG. 10 is a rear elevational view thereof;
FIG. 11 is a left side elevational view thereof; and
FIG. 12 is a right side elevational view thereof.
FIG. 13 is a top plan view thereof; and,
FIG. 14 is a bottom plan view thereof.

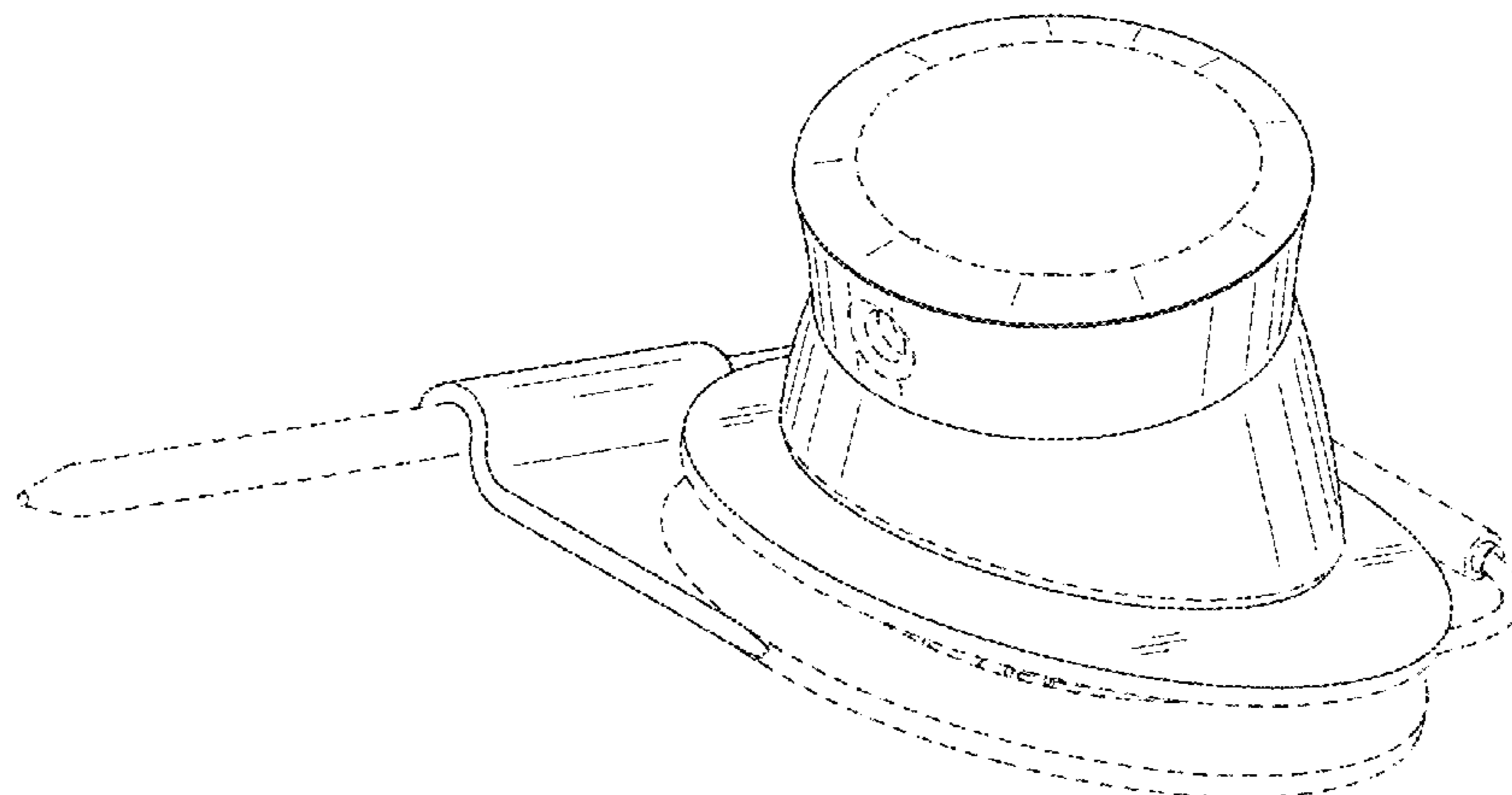
The broken lines in the figures show structure or boundaries
that form no part of the claimed design, but rather show the
environment in which the design is associated, or show por-
tions of the article in which the design is embodied or applied
that are not considered part of the claimed design.

(56) **References Cited**

U.S. PATENT DOCUMENTS

5,746,114 A 5/1998 Harris
6,046,674 A 4/2000 Irwin et al.
6,080,972 A 6/2000 May
6,539,842 B1 4/2003 Chapman et al.
6,712,505 B2 3/2004 Chapman et al.
6,811,308 B2 11/2004 Chapman et al.
6,850,861 B1 2/2005 Faiola et al.

1 Claim, 14 Drawing Sheets



(56)

References Cited

U.S. PATENT DOCUMENTS

D565,438 S * 4/2008 Serre D10/57
7,372,368 B2 5/2008 Chapman et al.
7,703,389 B2 4/2010 McLemore et al.
D666,929 S * 9/2012 Tyler D10/57
8,931,400 B1 1/2015 Allen
D724,448 S * 3/2015 Lee D10/50
D725,285 S * 3/2015 Wohlstadter D14/336

D750,980 S * 3/2016 Takach D10/50
2003/0202558 A1 10/2003 Chung et al.
2010/0303972 A1 12/2010 Srivastava

OTHER PUBLICATIONS

No Author. Weber Style™ Digital Thermometer (available prior to May 28, 2009). Accessed May 28, 2010. <http://store.weber.com/items/WeberStyle/Detail.aspx?pid=1131>. 1page.

* cited by examiner

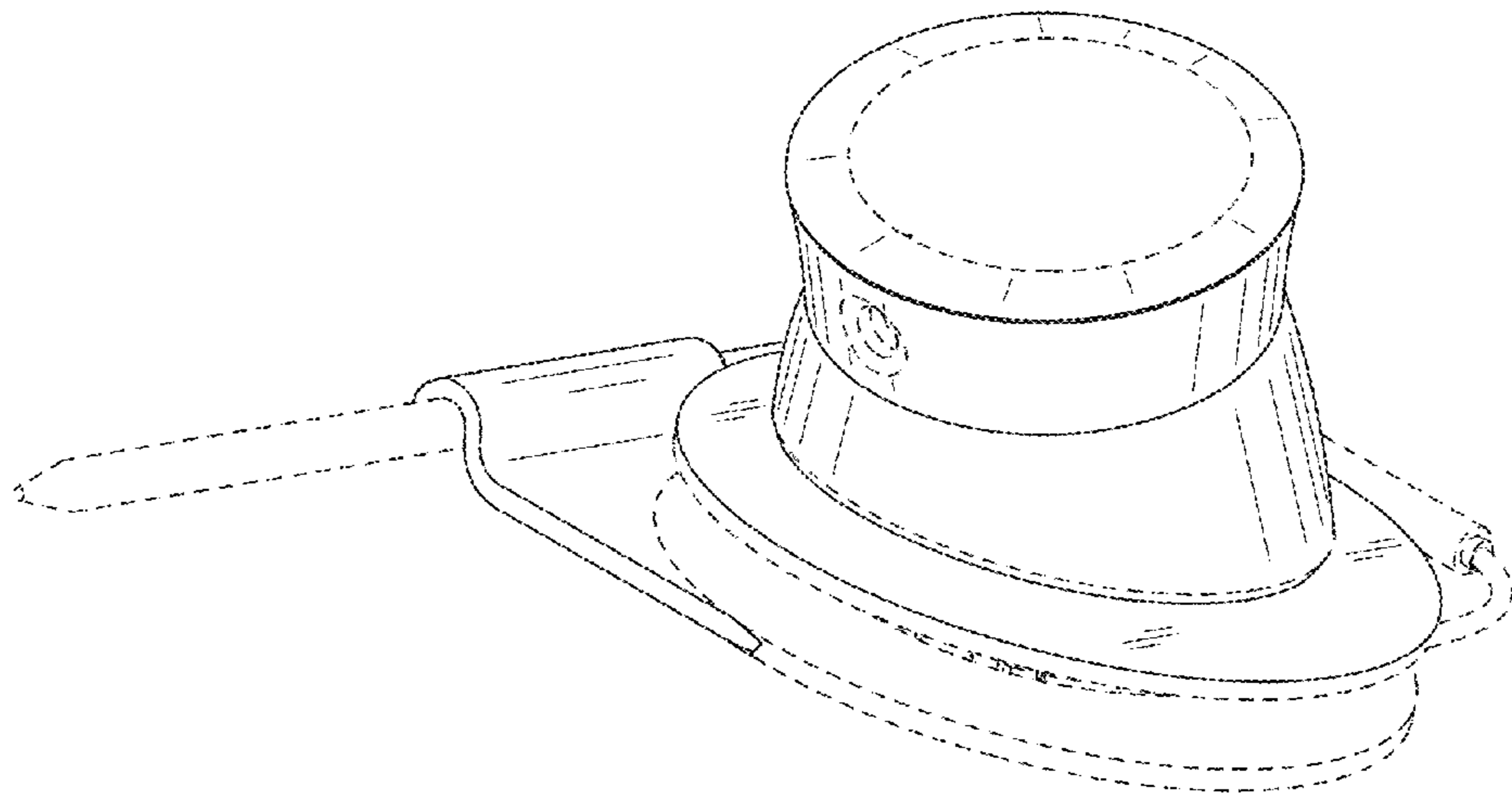


FIG. 1

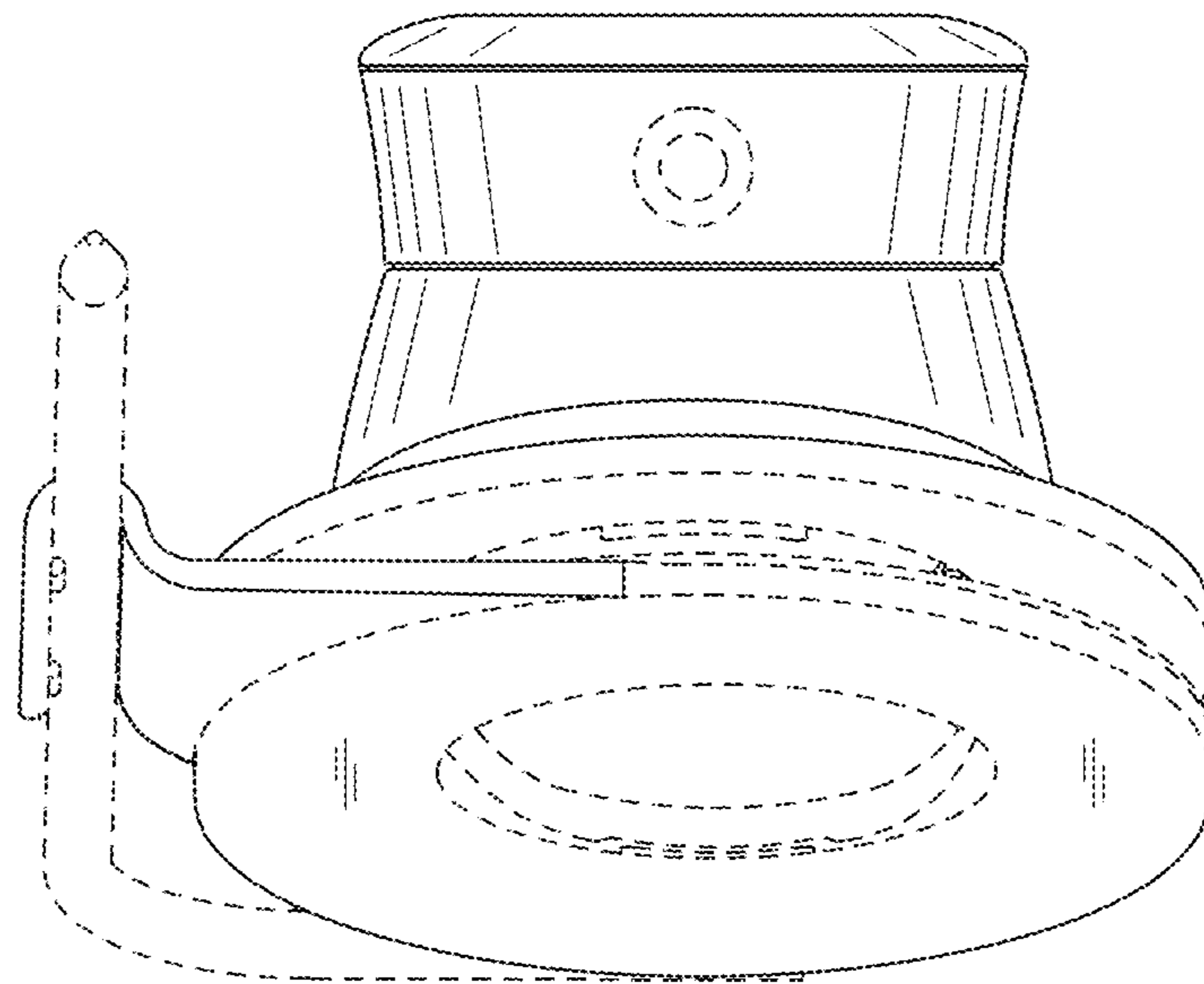


FIG. 2

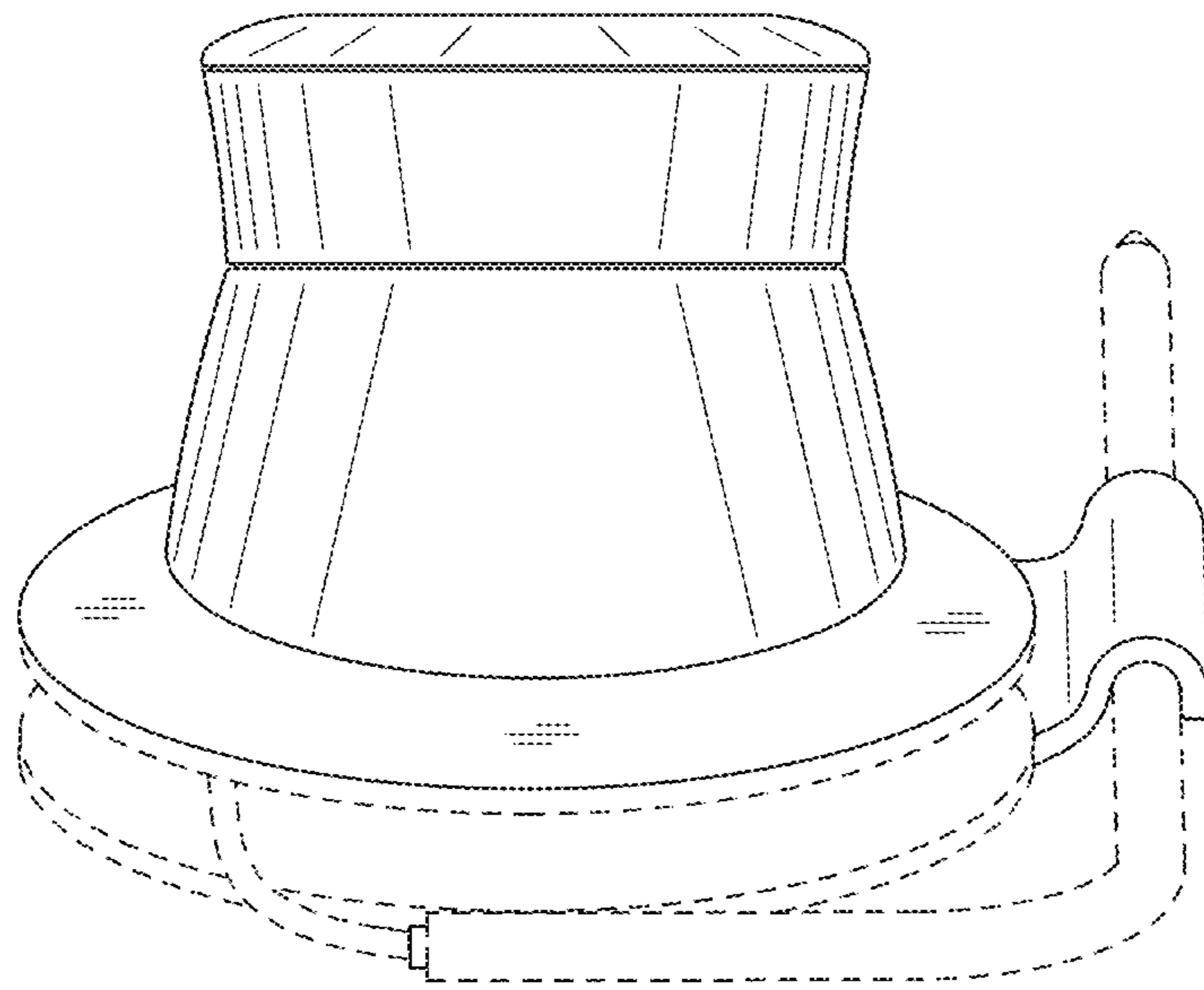


FIG. 3

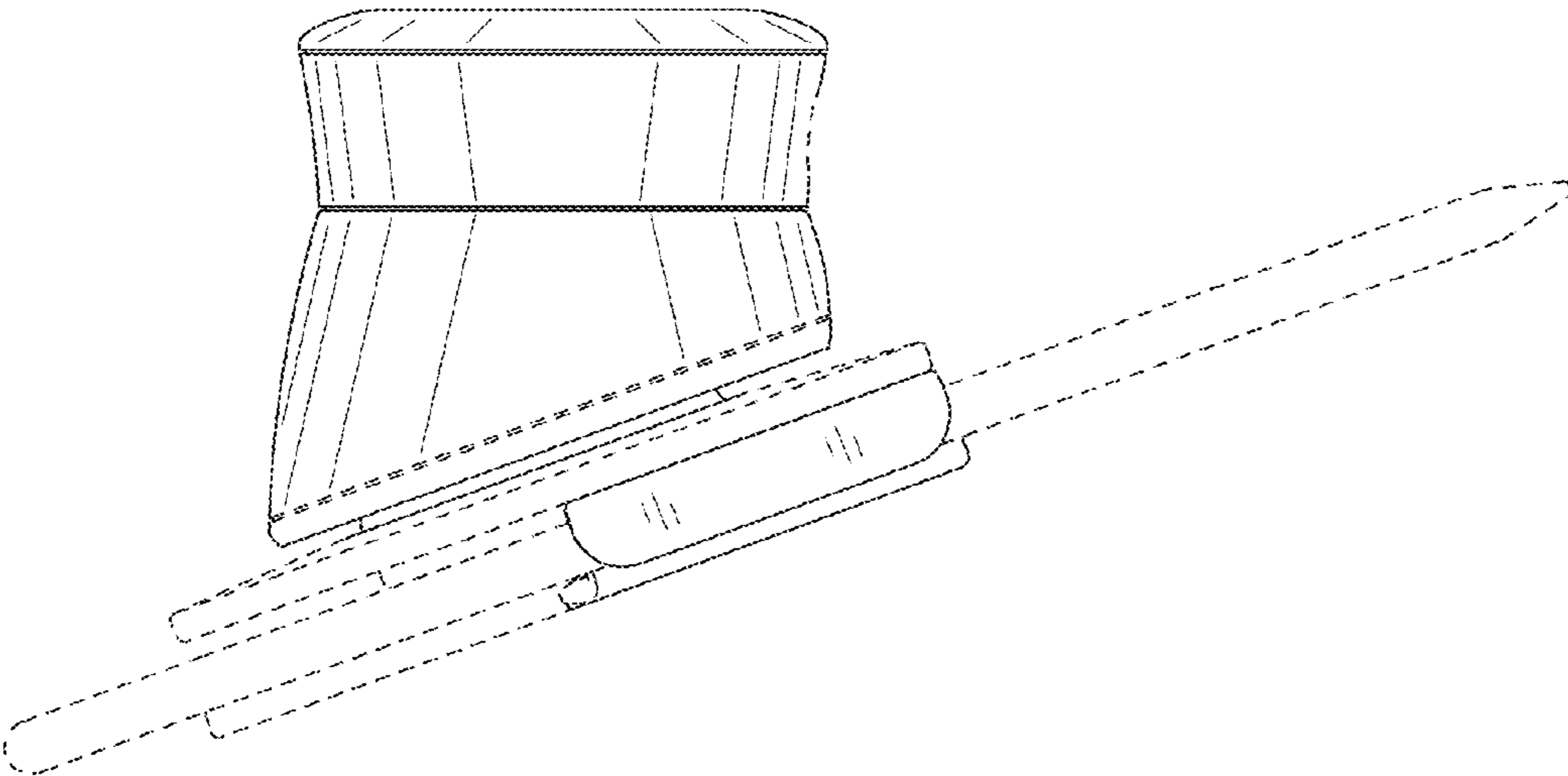


FIG. 4

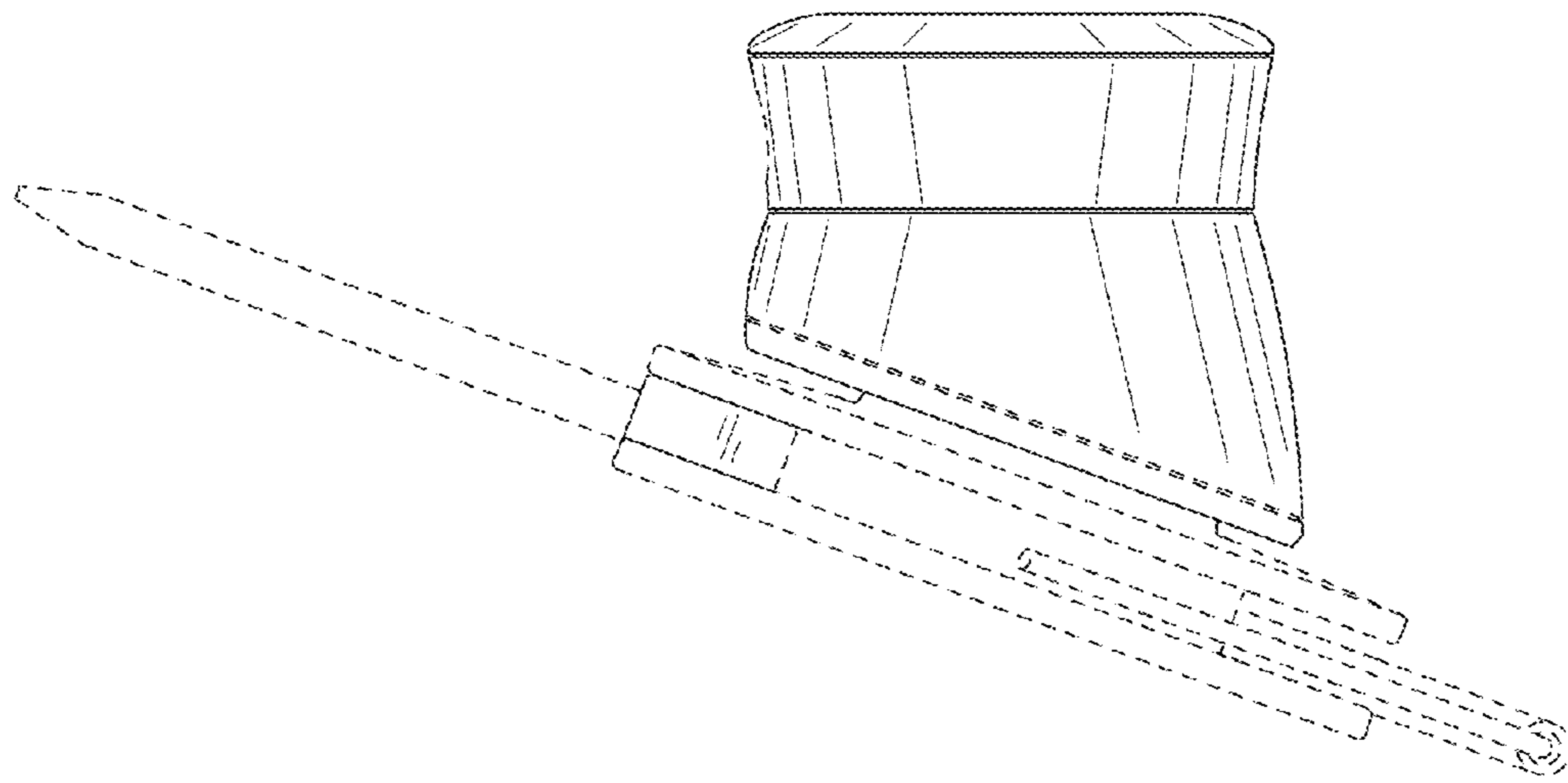


FIG. 5

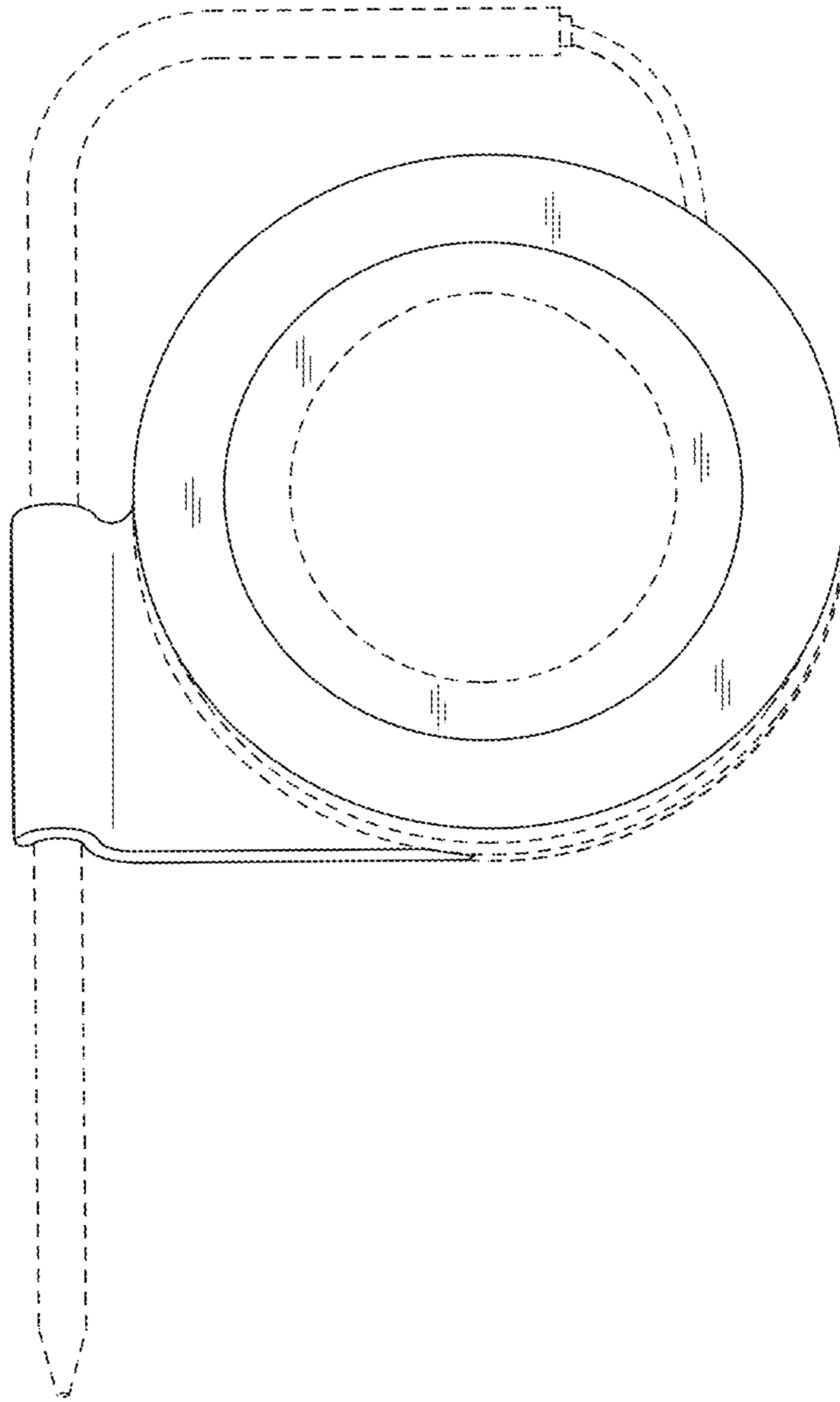


FIG. 6

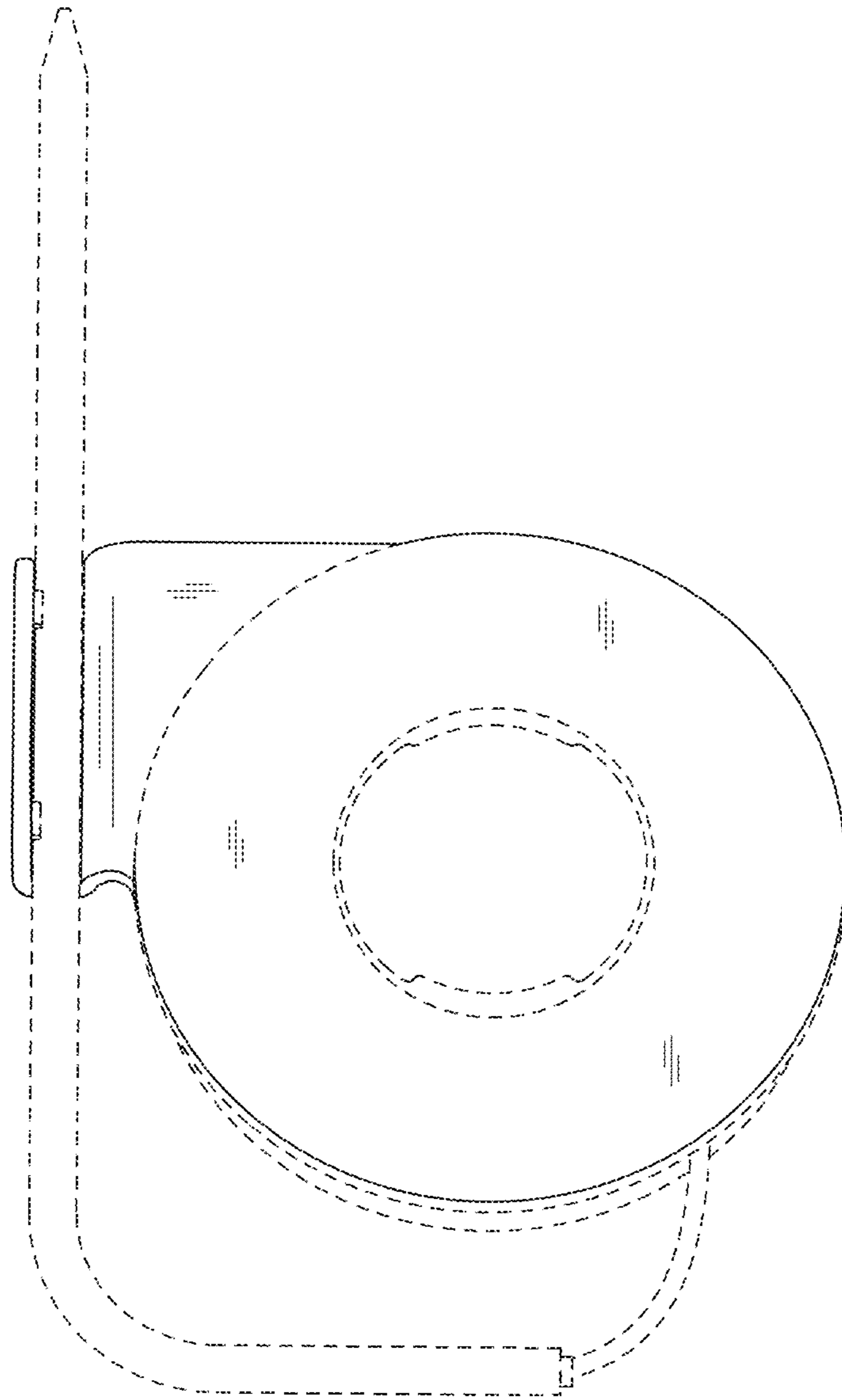


FIG. 7

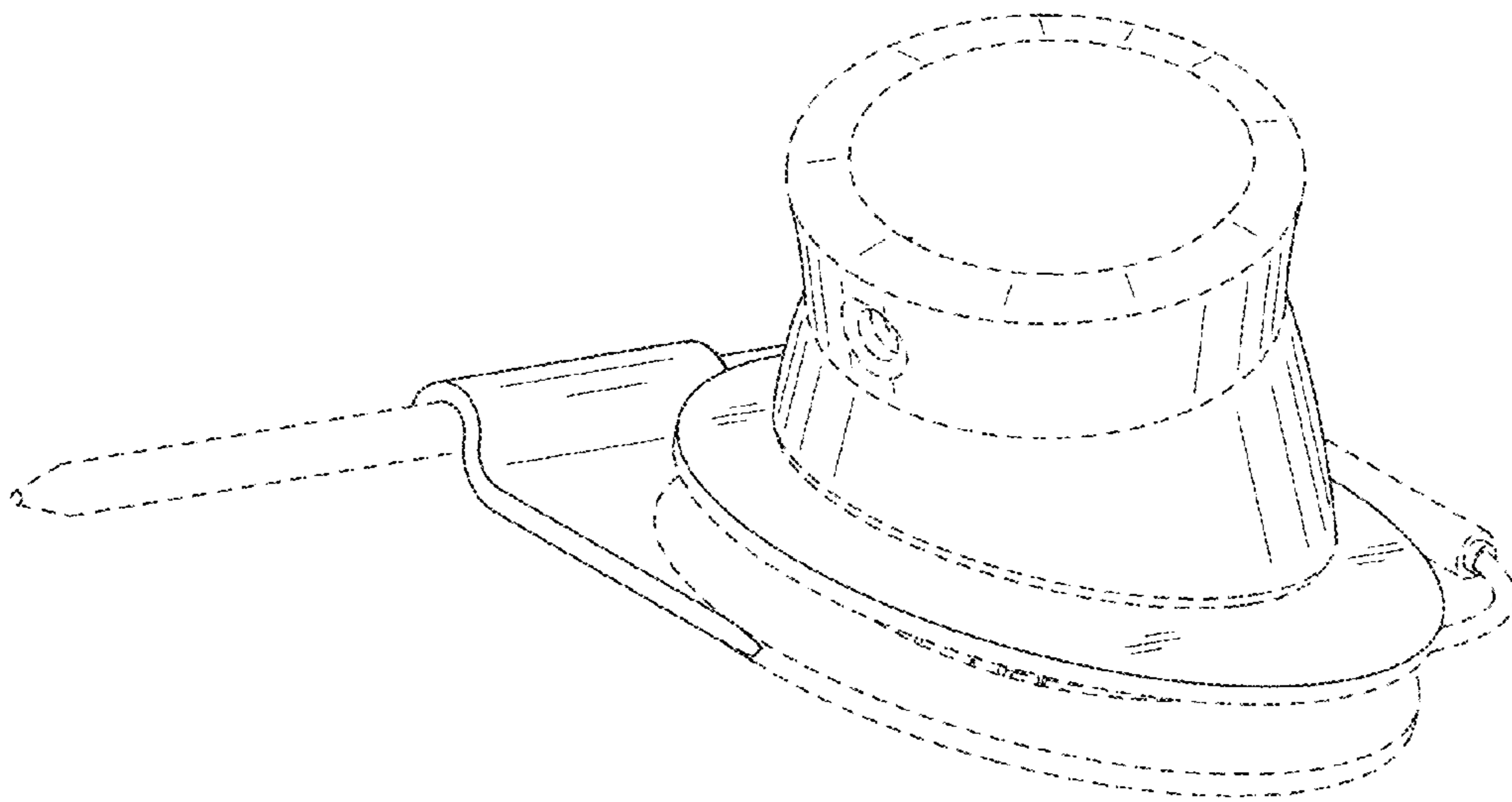


FIG. 8

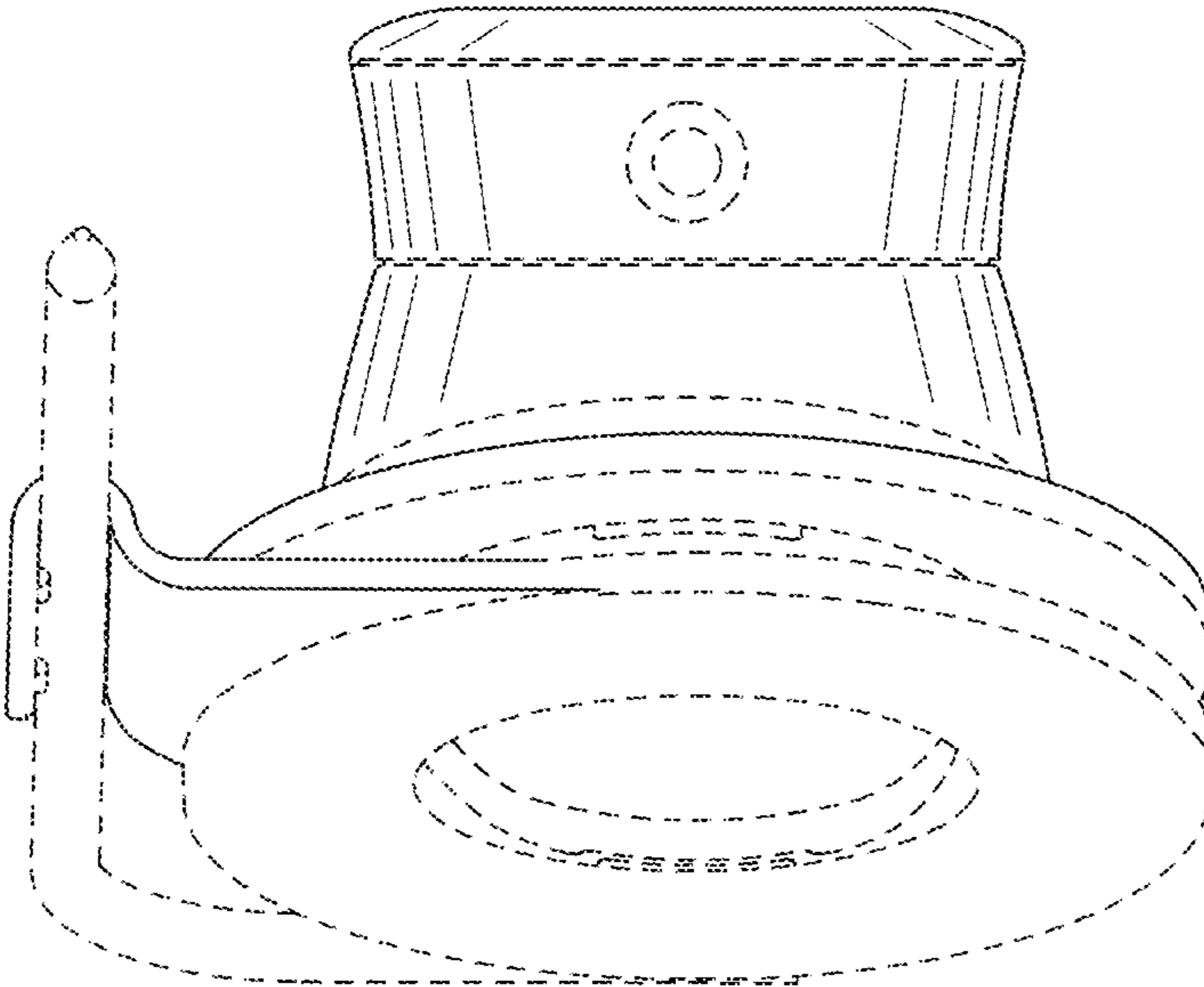


FIG. 9

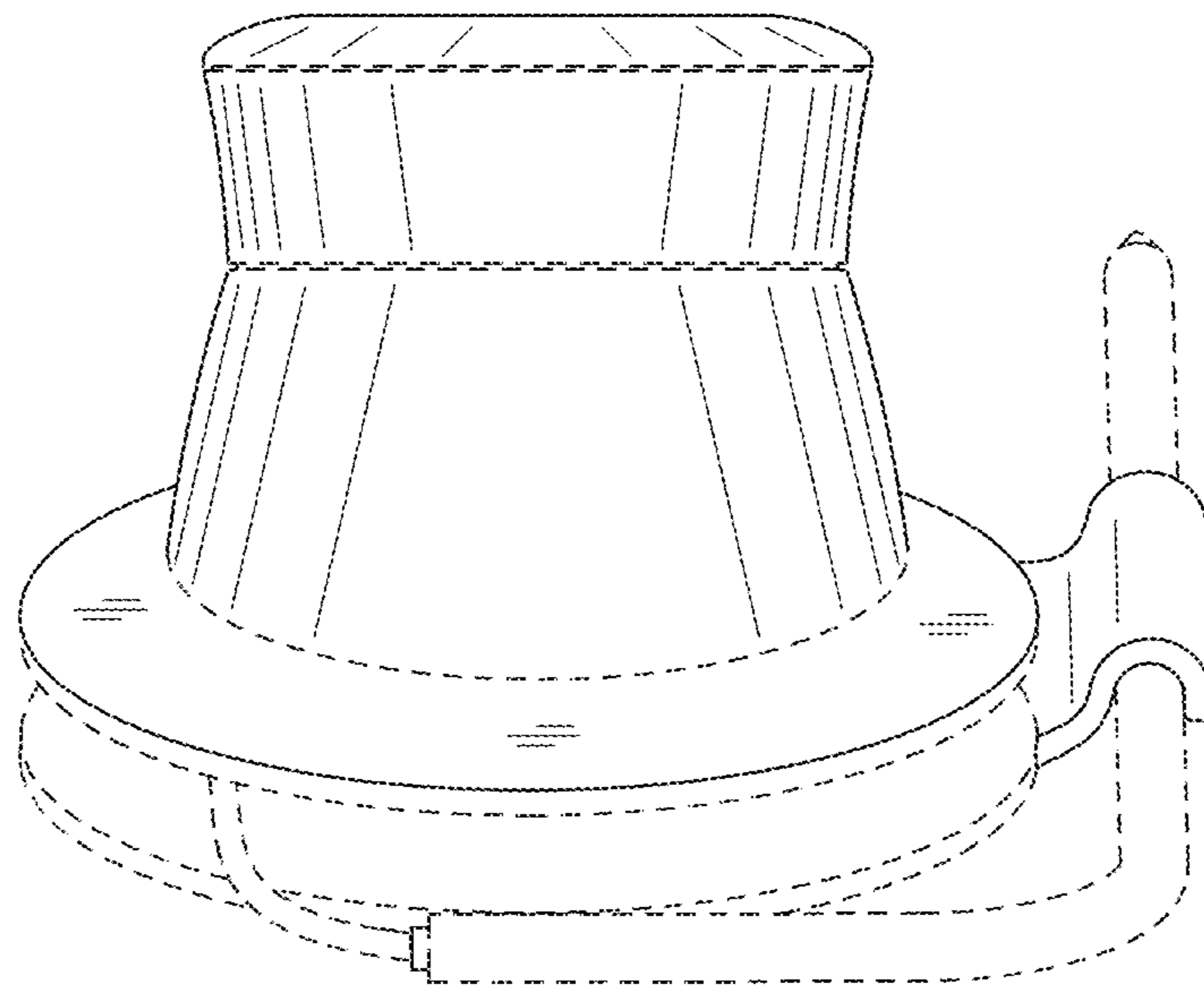


FIG. 10

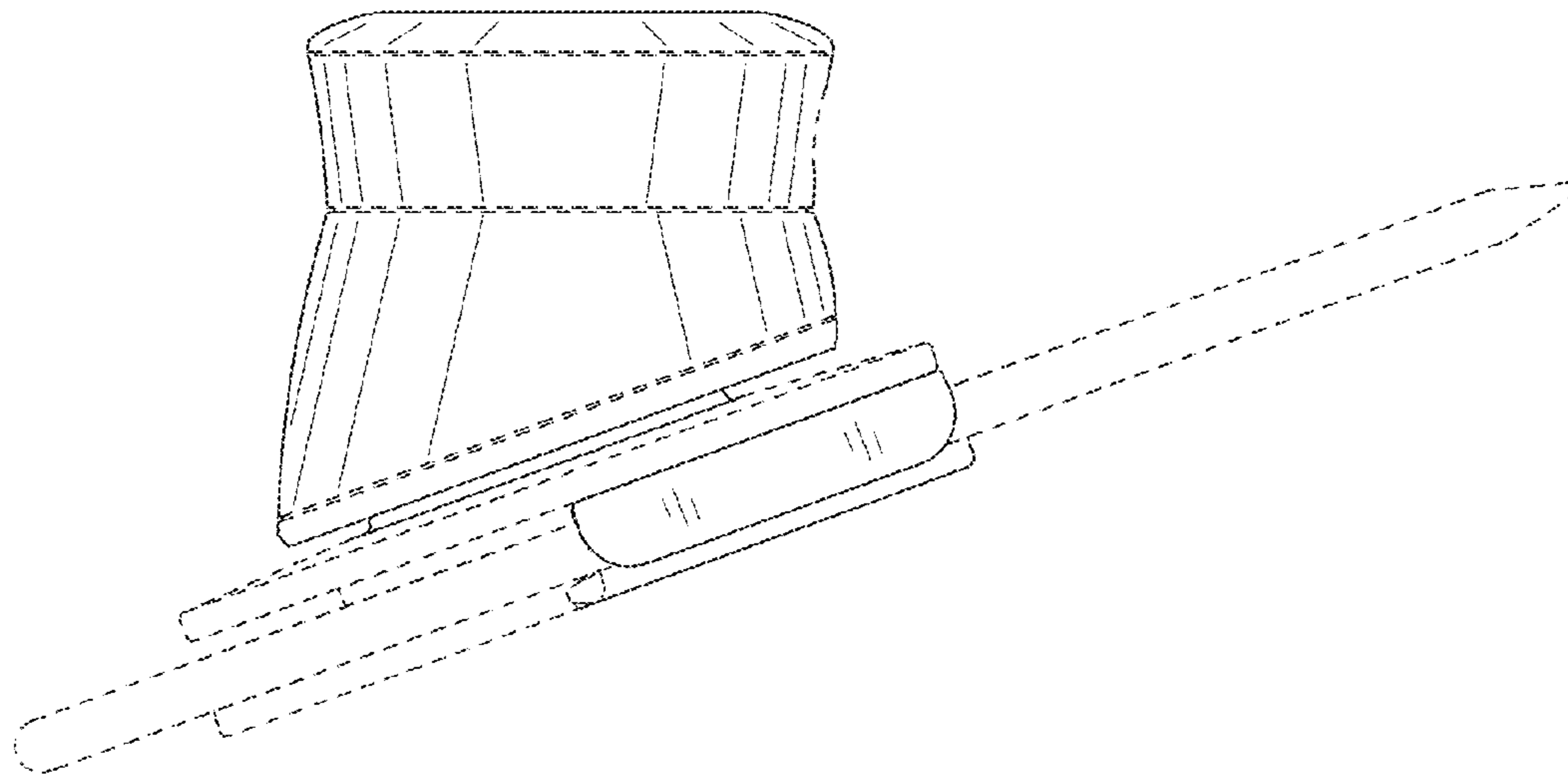


FIG. 11

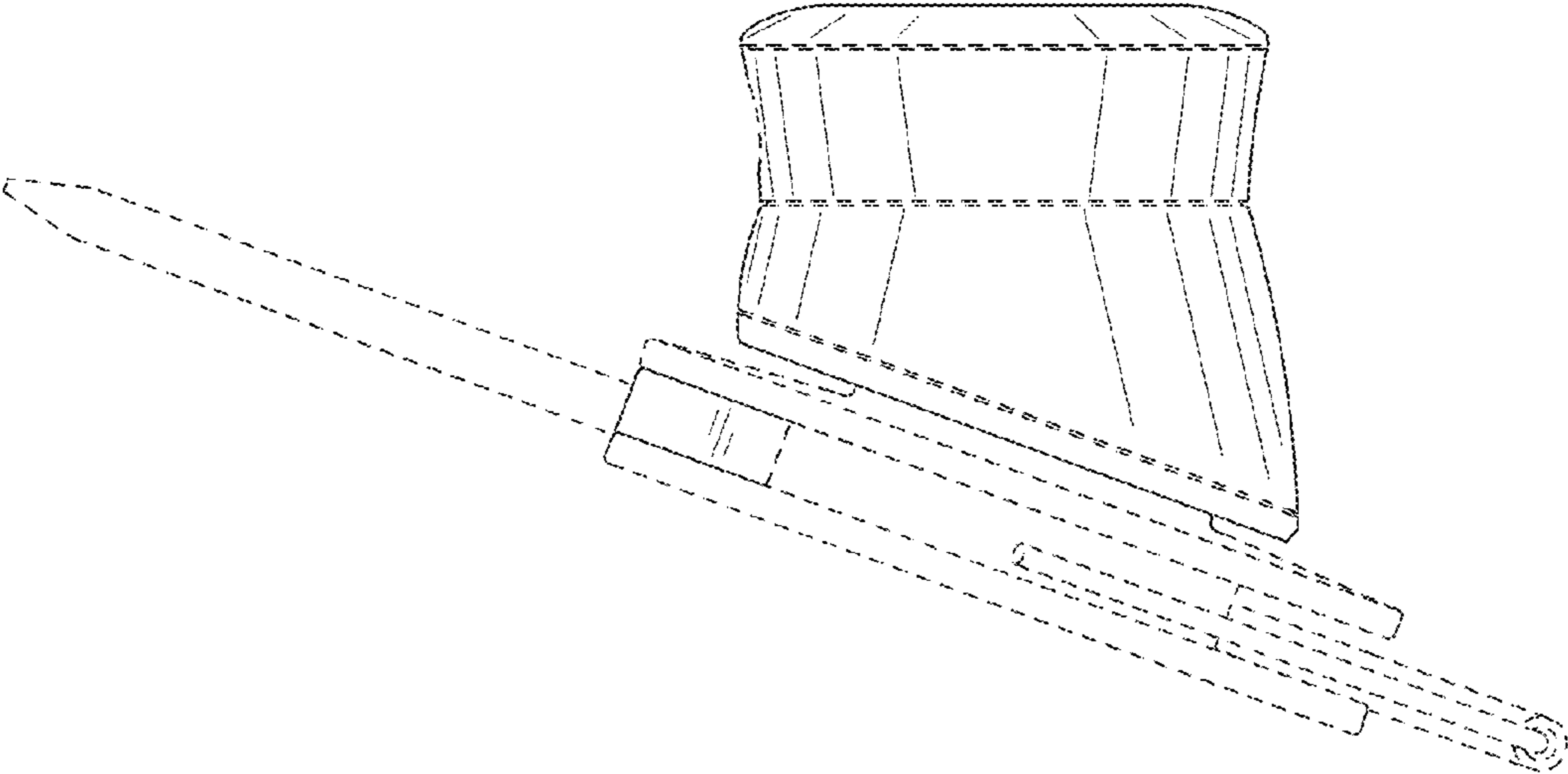


FIG. 12

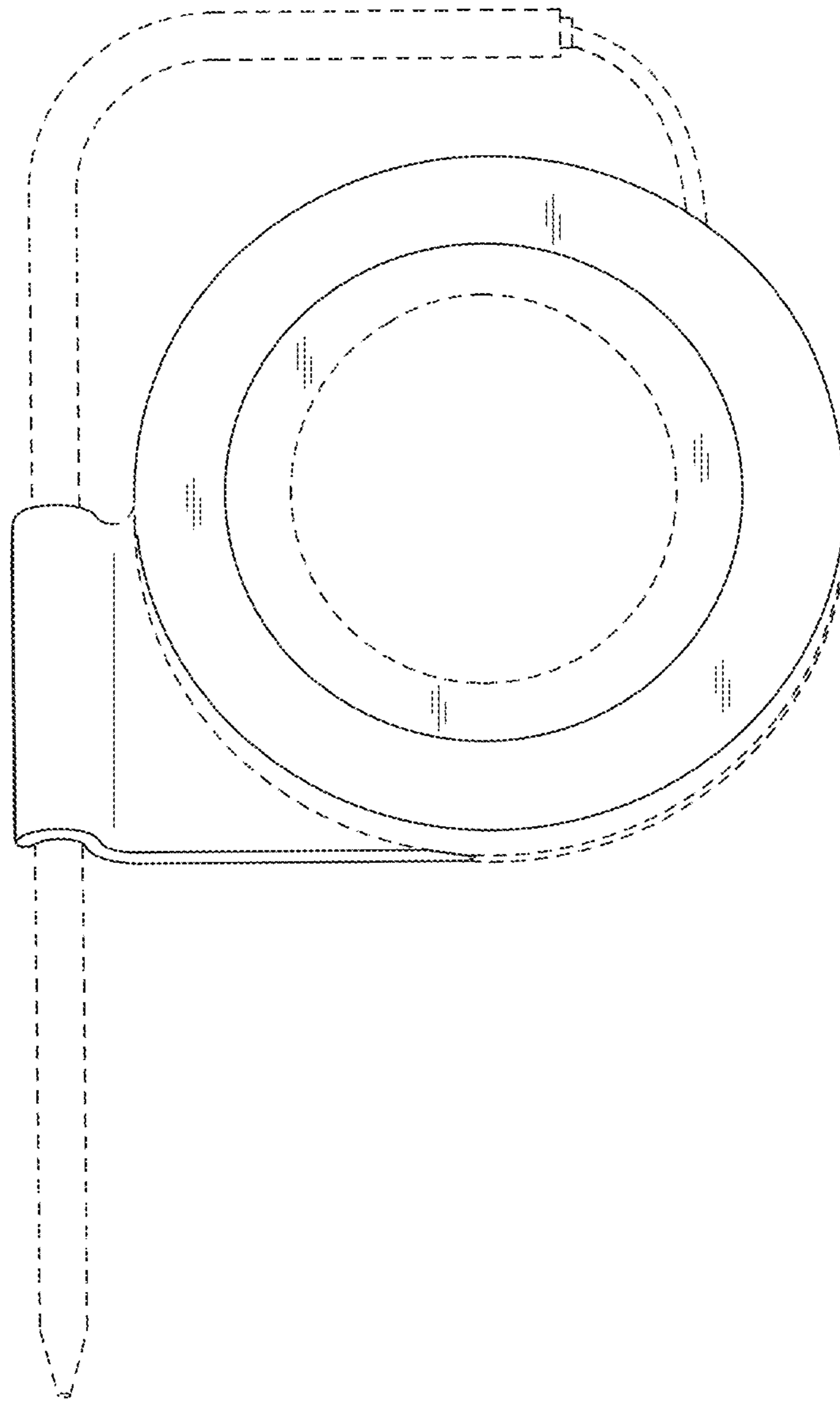


FIG. 13

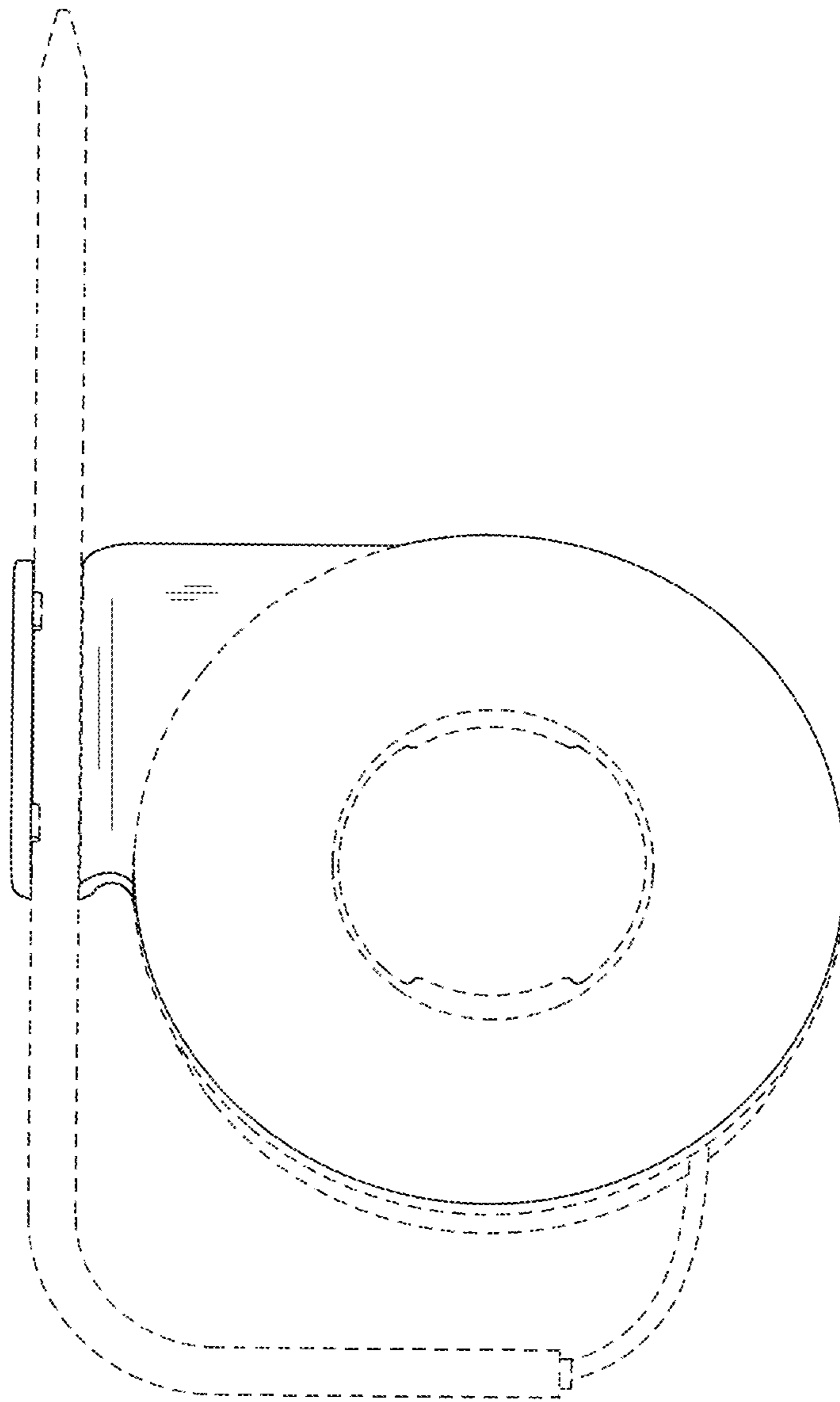


FIG. 14