

US00D761670S

(12) **United States Design Patent**
Belamich

(10) **Patent No.:** **US D761,670 S**
(45) **Date of Patent:** **** Jul. 19, 2016**

(54) **WATCH**

(56) **References Cited**

U.S. PATENT DOCUMENTS

(71) Applicant: **Bell & Ross B.V.**, Zoetermeer (NL)

(72) Inventor: **Bruno Belamich**, Paris (FR)

(73) Assignee: **BELL & ROSS B.V.**, Zoetermeer (NL)

(**) Term: **15 Years**

(21) Appl. No.: **29/548,735**

(22) Filed: **Dec. 16, 2015**

Related U.S. Application Data

(62) Division of application No. 29/497,423, filed on Jul. 24, 2014.

(30) **Foreign Application Priority Data**

Feb. 12, 2014 (EM) 001 402 861-0001
Feb. 12, 2014 (EM) 001 402 861-0002
Feb. 12, 2014 (EM) 001 402 861-0003

(51) **LOC (10) Cl.** **10-02**

(52) **U.S. Cl.**
USPC **D10/39; D10/126**

(58) **Field of Classification Search**
USPC D10/30-39, 1-29, 122-132
CPC G04B 15/00; G04B 15/06; G04B 19/00;
G04B 19/06; G04B 19/065; G04B 19/08;
G04B 19/10; G04B 19/24; G04B 37/00;
G04B 37/0008; G04B 37/0058; G04B
37/1486; G04B 45/00; G04B 45/0069; G04F
7/00; G04F 7/06; G04F 7/08; G04F 7/0866
See application file for complete search history.

2,232,300	A	2/1941	Arbey	
3,395,531	A	8/1968	Caprara	
4,218,873	A	8/1980	Lang	
4,390,288	A	6/1983	Arnoux	
4,620,798	A	11/1986	Scarizzi	
D287,470	S *	12/1986	Houlihan	D10/30
6,587,400	B1	7/2003	Line	
D537,371	S	2/2007	Belamich	
D565,972	S *	4/2008	Rochat	D10/39
D568,181	S *	5/2008	Rabassa	D10/39
D577,611	S	9/2008	Lalo	
D578,412	S	10/2008	Belamich	
D582,793	S *	12/2008	Lalo	D10/38
D588,025	S	3/2009	Belamich	
D594,352	S	6/2009	Belamich	
D598,304	S	8/2009	Belamich	
7,628,530	B2	12/2009	Andren et al.	
D630,530	S *	1/2011	Nunes	D10/38
D630,531	S *	1/2011	Nunes	D10/38
D632,593	S	2/2011	Nunes	
D635,867	S	4/2011	Nunes	
D636,692	S *	4/2011	Pospieszny	D10/129
D658,527	S *	5/2012	Ikezu	D10/124
D668,970	S	10/2012	Nunes	
D678,082	S *	3/2013	Mille	D10/39
D717,669	S *	11/2014	Tak	D10/38
D726,556	S *	4/2015	Lasserre	D10/39

* cited by examiner

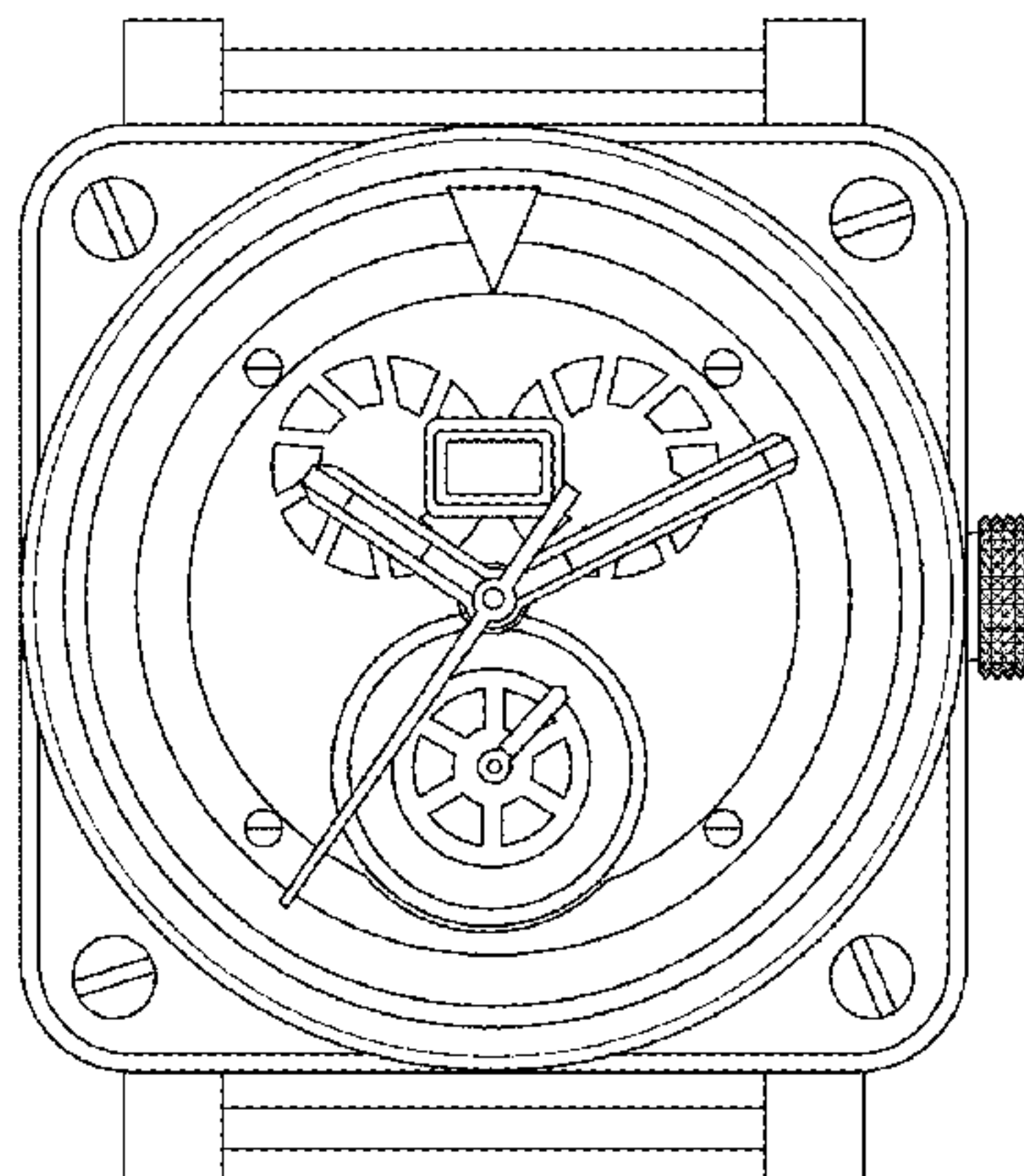
Primary Examiner — Martie K Holtje
(74) *Attorney, Agent, or Firm* — Volpe and Koenig, P.C.

(57) **CLAIM**
The ornamental design for a watch, as shown and described.

DESCRIPTION

FIG. 1 is top plan view of the watch according to my design;
FIG. 2 is a right side elevational view thereof;
FIG. 3 is a front elevational view thereof;
FIG. 4 is a rear elevational view thereof;
FIG. 5 is a left side elevational view thereof;
FIG. 6 is a bottom plan view thereof; and,
FIG. 7 is a top, right front perspective view thereof.

1 Claim, 3 Drawing Sheets



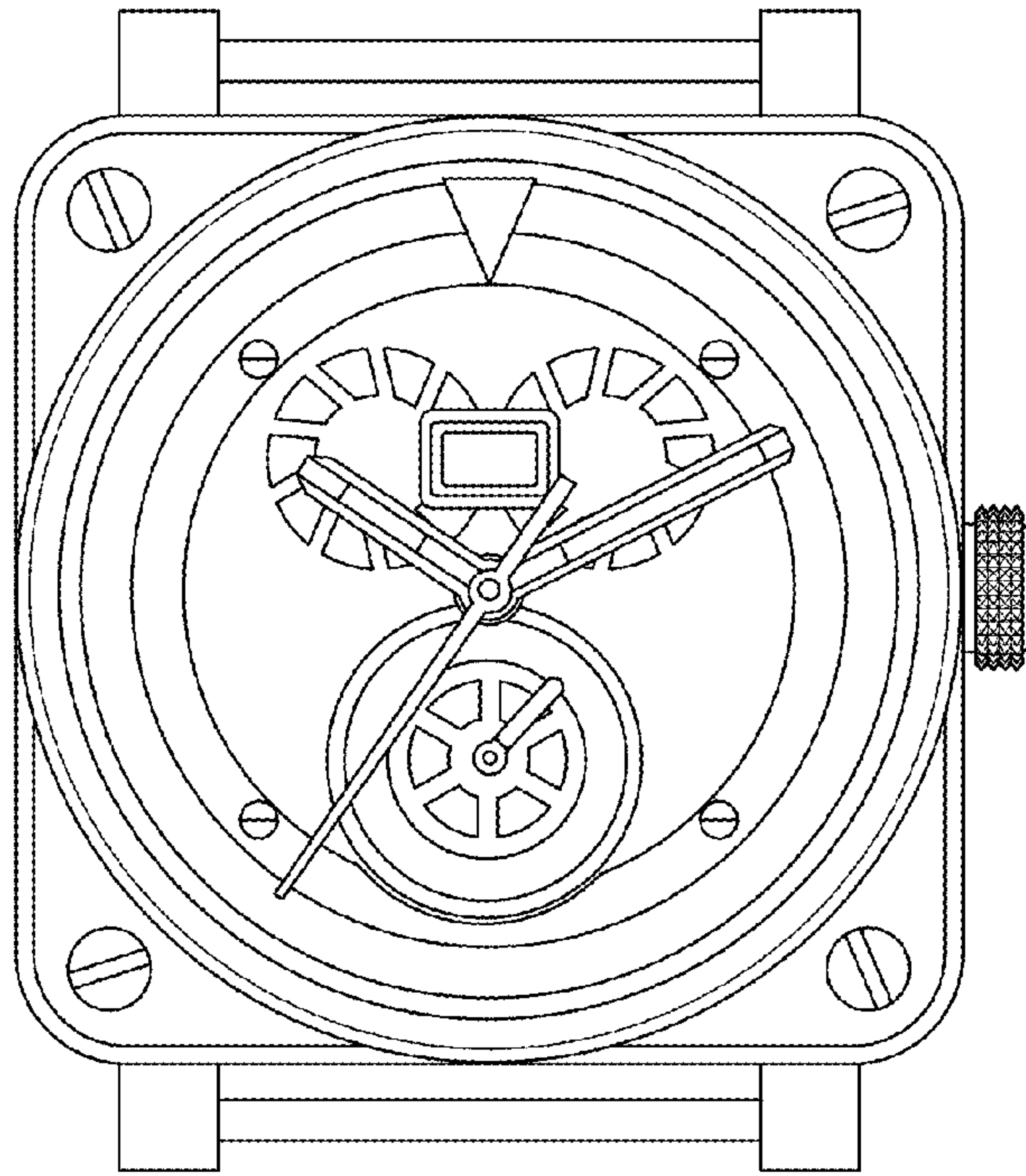


FIG. 1

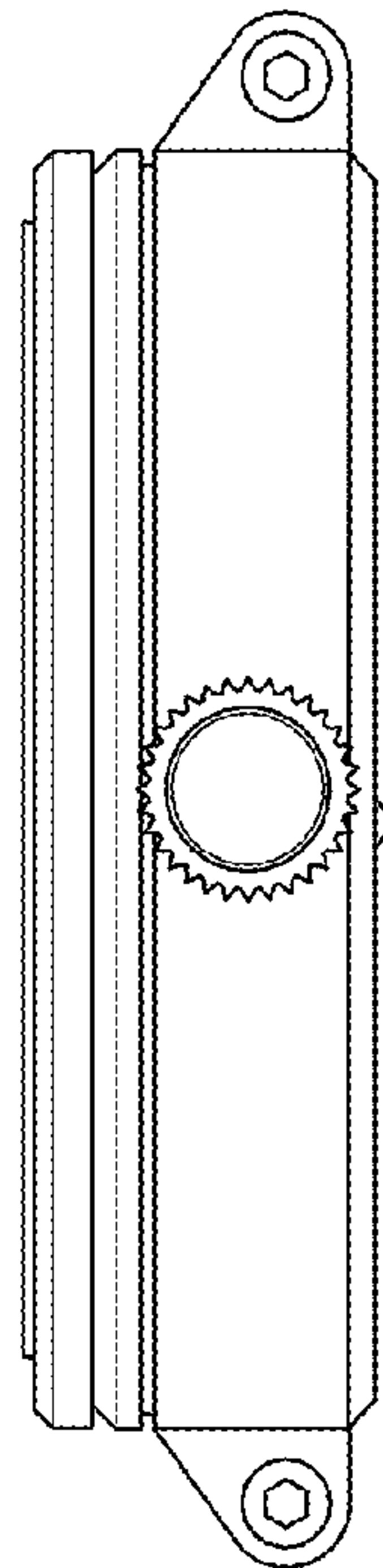


FIG. 2

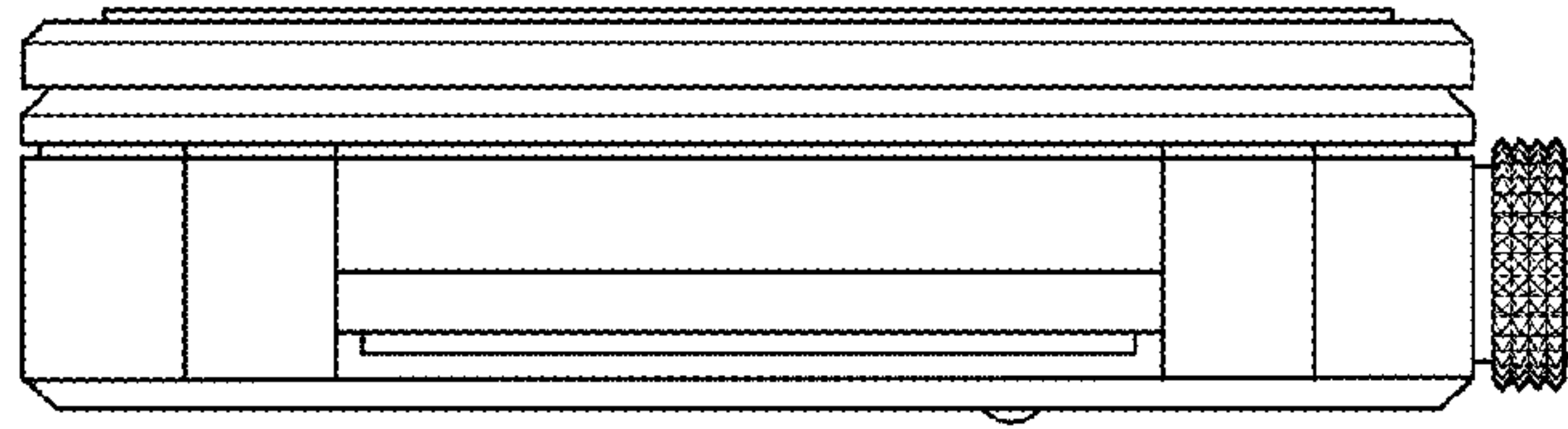


FIG. 3

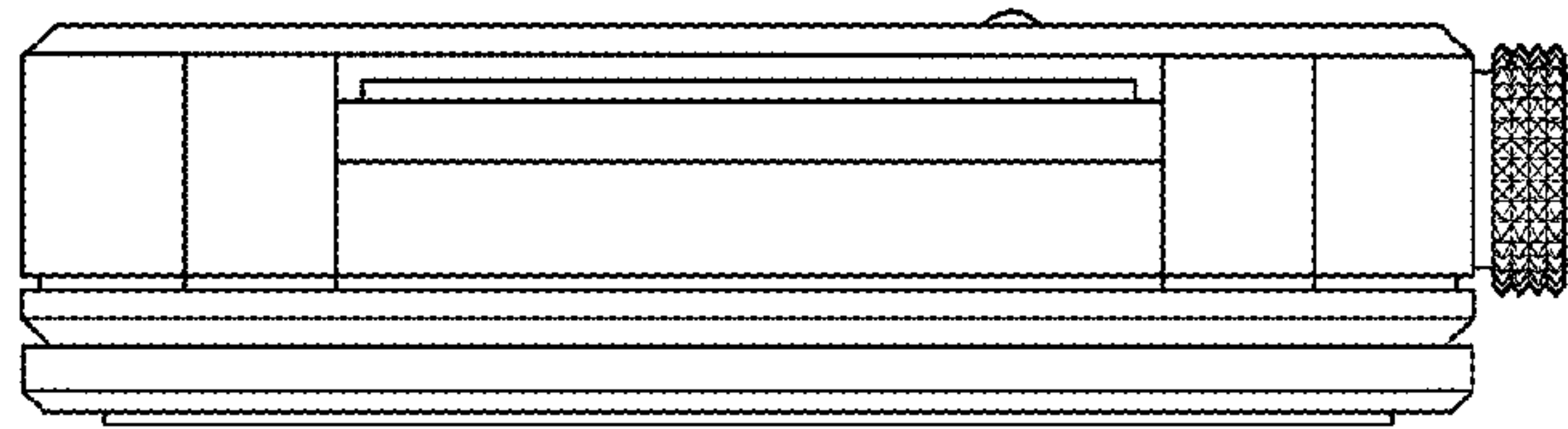


FIG. 4

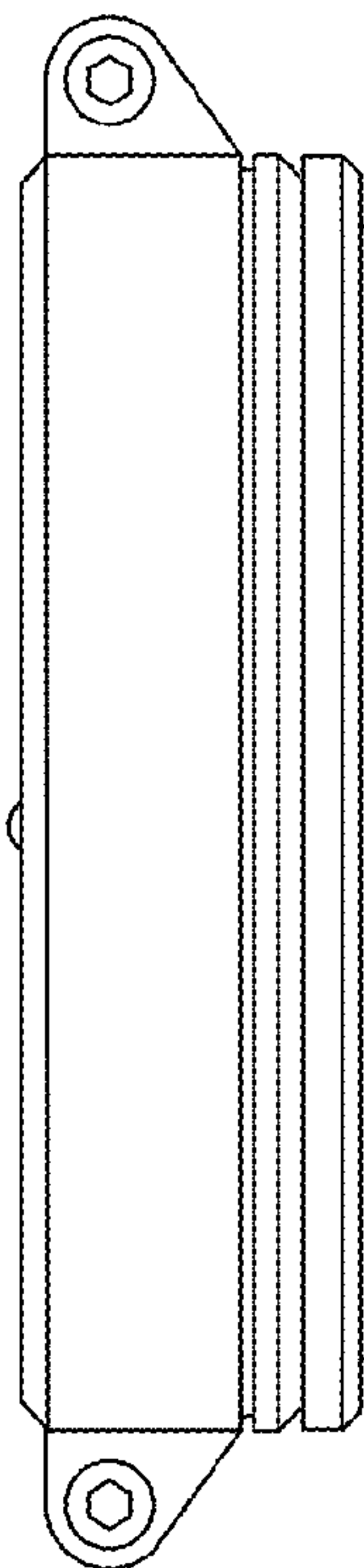


FIG. 5

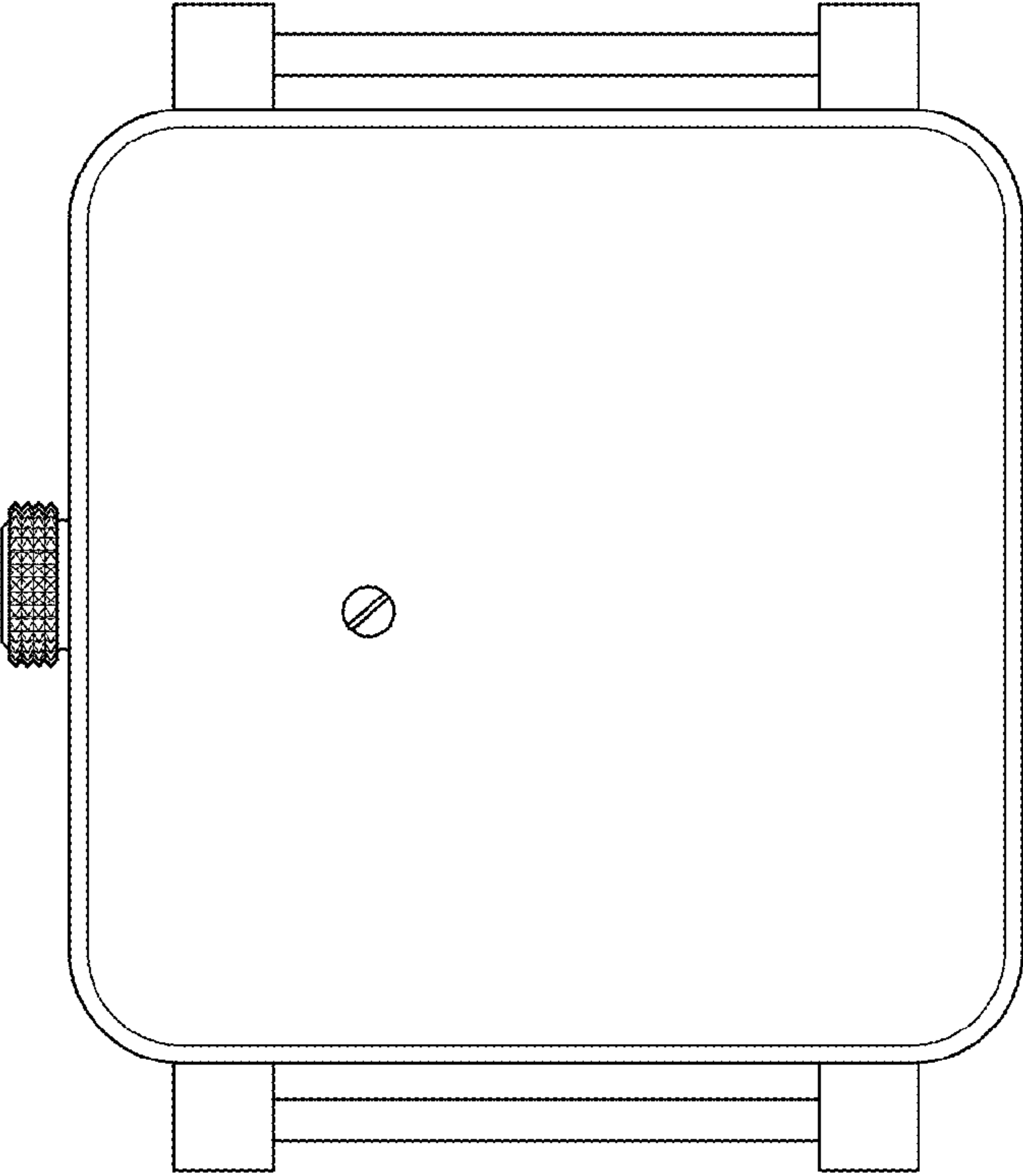


FIG. 6

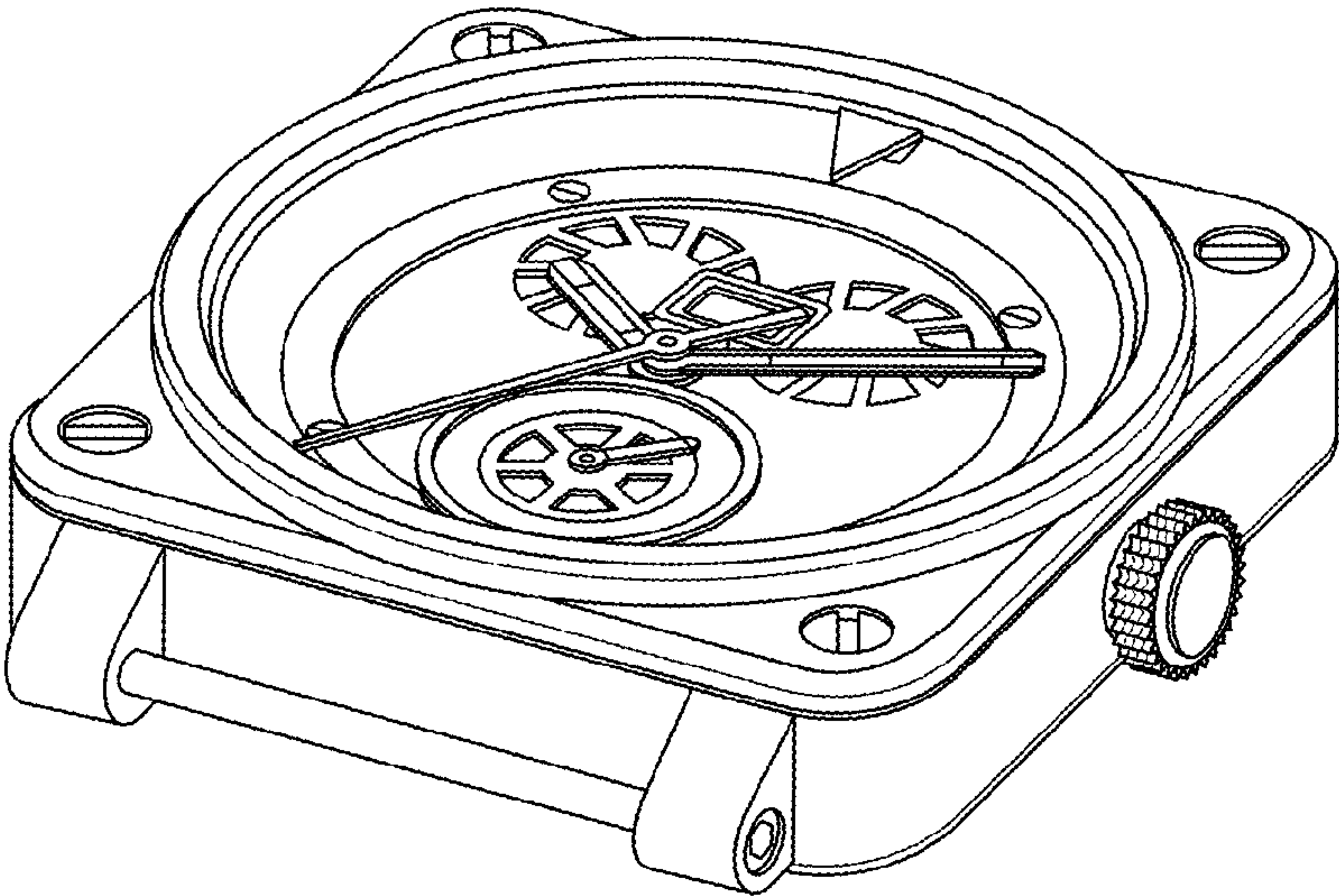


FIG. 7