



US00D761669S

(12) **United States Design Patent**
Belamich

(10) **Patent No.:** **US D761,669 S**
(45) **Date of Patent:** **** Jul. 19, 2016**

(54) **WATCH**

(56) **References Cited**

(71) Applicant: **Bell & Ross B.V.**, Zoetermeer (NL)

U.S. PATENT DOCUMENTS

(72) Inventor: **Bruno Belamich**, Paris (FR)

| | | | |
|---------------|---------|----------------|------------------------|
| 2,232,300 A | 2/1941 | Arbey | |
| 3,395,531 A | 8/1968 | Caprara | |
| 3,427,800 A * | 2/1969 | Blum | G04B 19/283 368/223 |
| 4,218,873 A | 8/1980 | Lang | |
| 4,390,288 A | 6/1983 | Arnoux | |
| 4,620,798 A | 11/1986 | Scarizzi | |
| D287,470 S * | 12/1986 | Houlihan | D10/30 |
| 6,587,400 B1 | 7/2003 | Line | |
| D537,371 S | 2/2007 | Belamich | |
| D565,972 S * | 4/2008 | Rochat | D10/39 |
| D568,181 S * | 5/2008 | Rabassa | D10/39 |
| D577,611 S | 9/2008 | Lalo | |
| D578,412 S | 10/2008 | Belamich | |
| D583,259 S * | 12/2008 | Arpa | D10/39 |
| D585,769 S * | 2/2009 | Belamich | D10/39 |
| D585,770 S * | 2/2009 | Belamich | D10/39 |
| D588,025 S | 3/2009 | Belamich | |
| D594,352 S | 6/2009 | Belamich | |
| D598,304 S | 8/2009 | Belamich | |
| D606,424 S * | 12/2009 | Inoue | D10/39 |
| 7,628,530 B2 | 12/2009 | Andren et al. | |
| D630,530 S * | 1/2011 | Nunes | D10/38 |

(73) Assignee: **BELL & ROSS B.V.**, Zoetermeer (NL)

(**) Term: **15 Years**

(21) Appl. No.: **29/548,730**

(22) Filed: **Dec. 16, 2015**

Related U.S. Application Data

(62) Division of application No. 29/497,423, filed on Jul. 24, 2014.

(30) **Foreign Application Priority Data**

Feb. 12, 2014 (EM) 001 402 861-0001
Feb. 12, 2014 (EM) 001 402 861-0002
Feb. 12, 2014 (EM) 001 402 861-0003

(51) **LOC (10) Cl.** **10-02**

(52) **U.S. Cl.**
USPC **D10/39; D10/126**

(58) **Field of Classification Search**

USPC D10/30-39, 1-29, 122-132
CPC G04B 15/00; G04B 15/06; G04B 19/00;
G04B 19/06; G04B 19/065; G04B 19/08;
G04B 19/10; G04B 19/24; G04B 19/283;
G04B 37/00; G04B 37/0008; G04B 37/0058;
G04B 37/1486; G04B 45/00; G04B 45/0069;
G04F 7/00; G04F 7/06; G04F 7/08; G04F
7/0866

See application file for complete search history.

(Continued)

Primary Examiner — Martie K Holtje

(74) *Attorney, Agent, or Firm* — Volpe and Koenig, P.C.

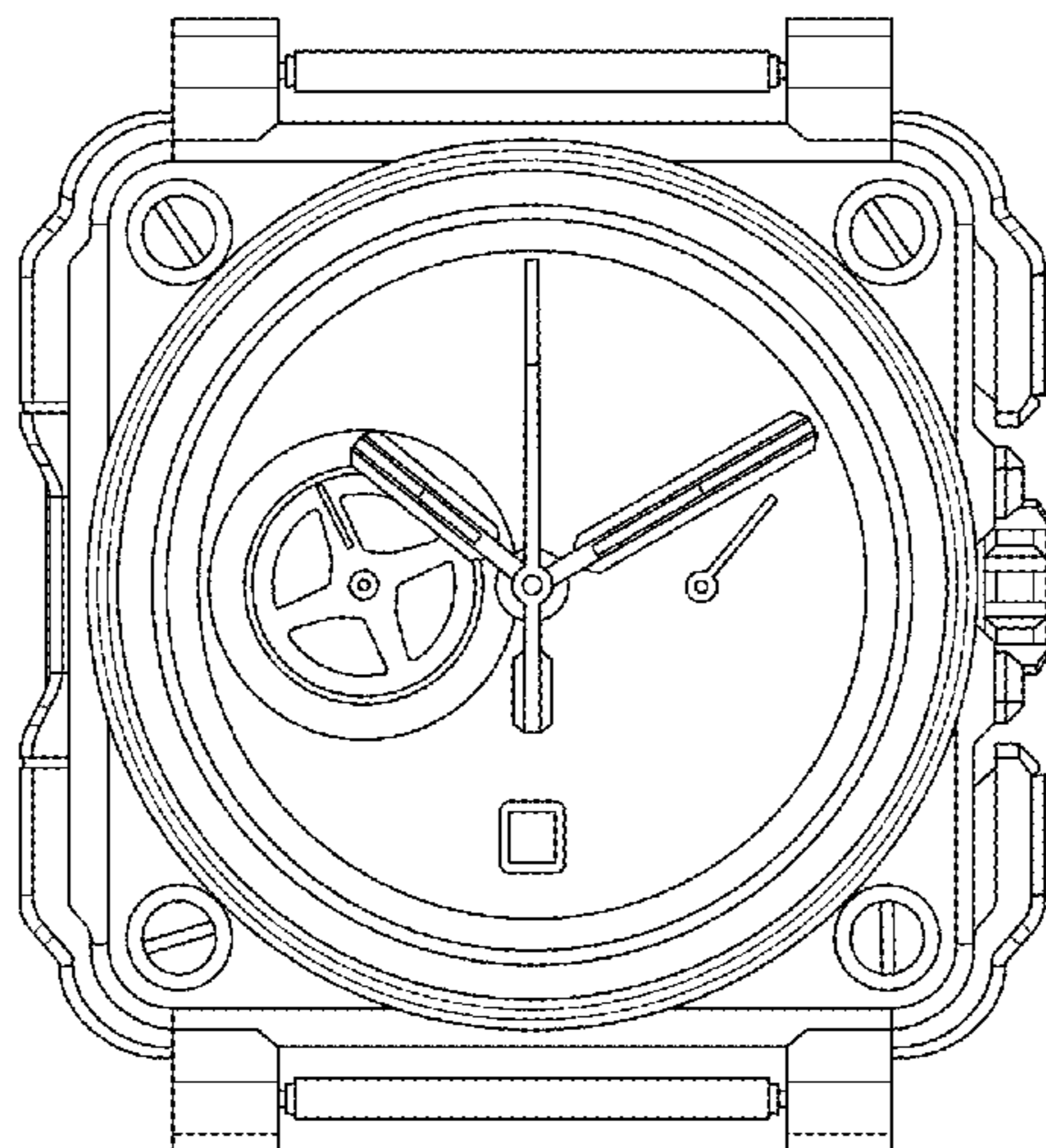
(57) **CLAIM**

The ornamental design for a watch, as shown and described.

DESCRIPTION

FIG. 1 is top plan view of the watch according to my design;
FIG. 2 is a right side elevational view thereof;
FIG. 3 is a left side elevational view thereof;
FIG. 4 is a rear elevational view thereof;
FIG. 5 is a front elevational view thereof;
FIG. 6 is a top, right front perspective view thereof; and,
FIG. 7 is a bottom plan view thereof.
The structural features depicted by broken lines in FIG. 7
have been shown for the purpose of illustrating portions of the
watch that form no part of the claimed design.

1 Claim, 4 Drawing Sheets



US D761,669 S

Page 2

(56)

References Cited

U.S. PATENT DOCUMENTS

D630,531 S * 1/2011 Nunes D10/38
D632,593 S 2/2011 Nunes
D635,867 S 4/2011 Nunes

D668,970 S 10/2012 Nunes
D705,088 S * 5/2014 Emch D10/39
D717,669 S * 11/2014 Tak D10/38
D726,556 S * 4/2015 Lasserre D10/39

* cited by examiner

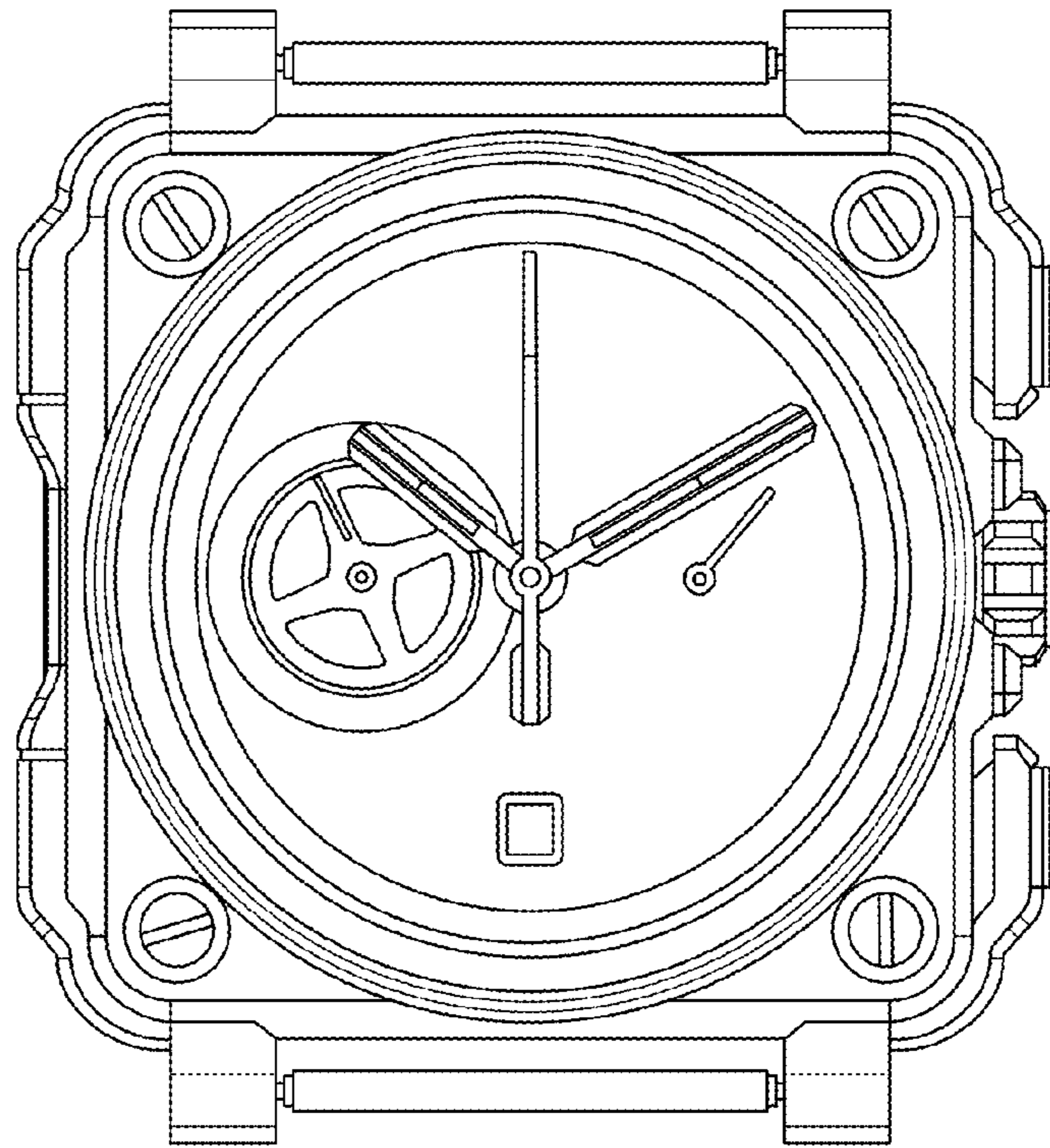


FIG. 1

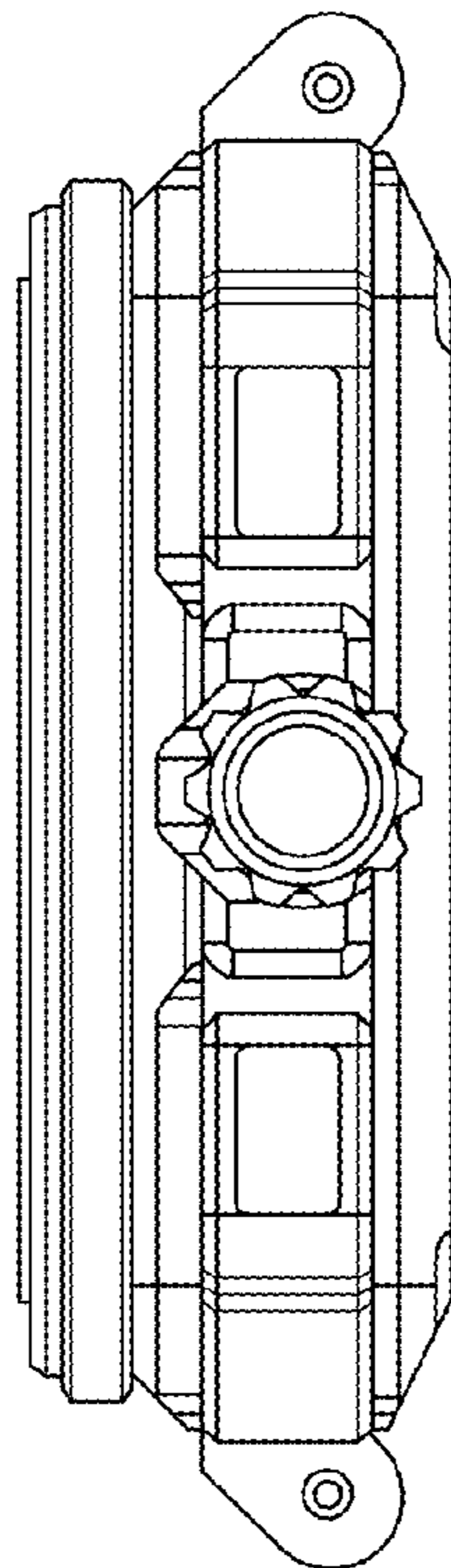


FIG. 2

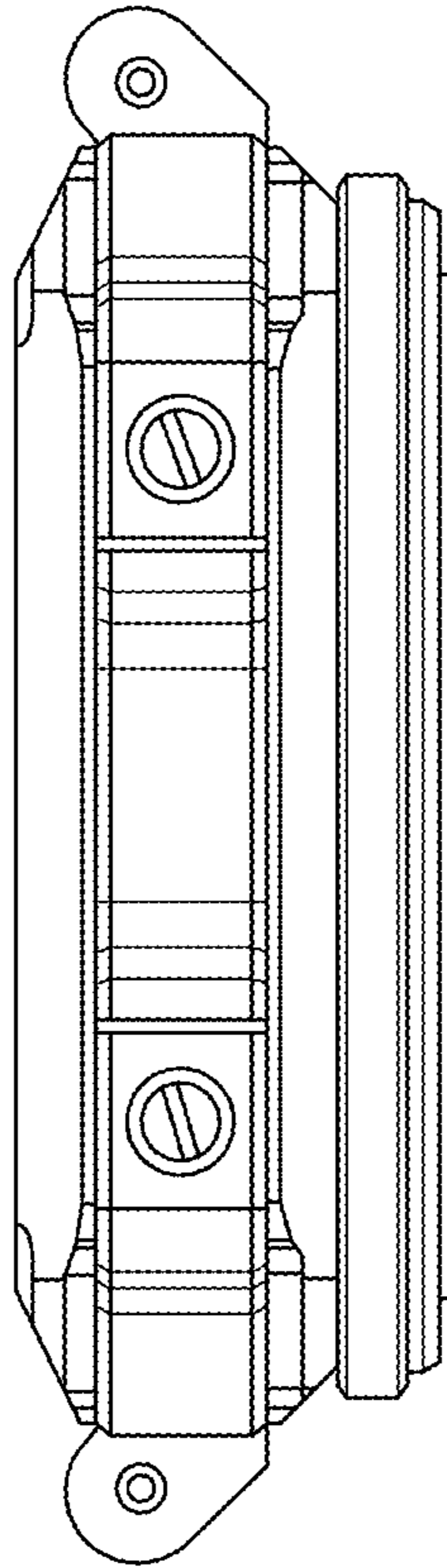


FIG. 3

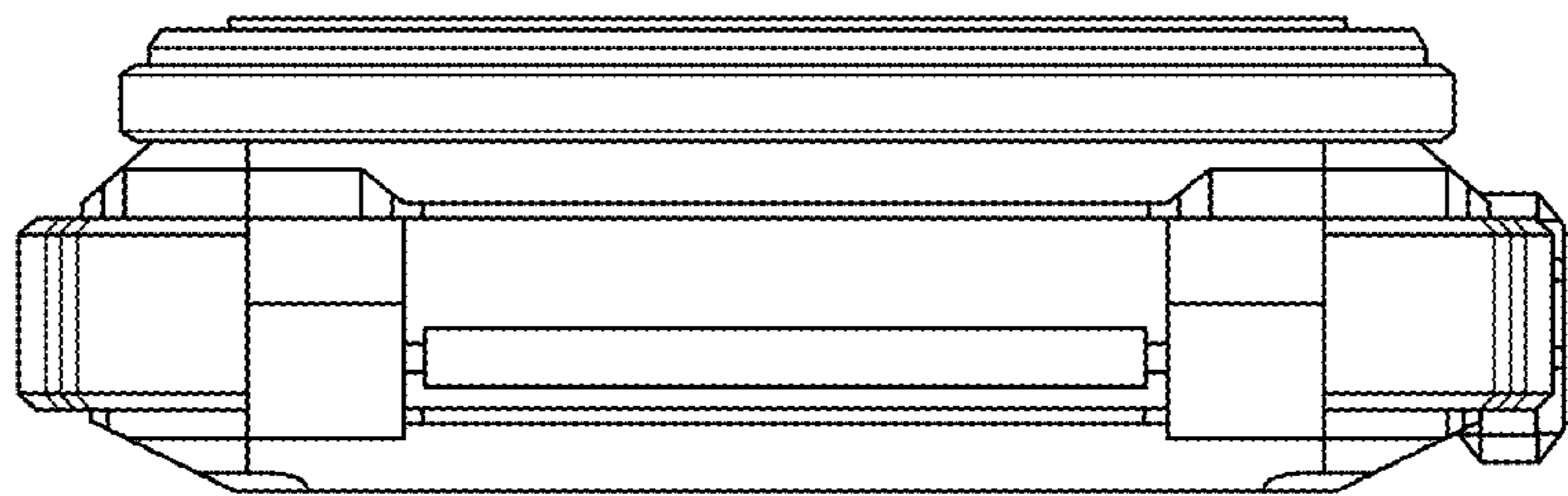


FIG. 4

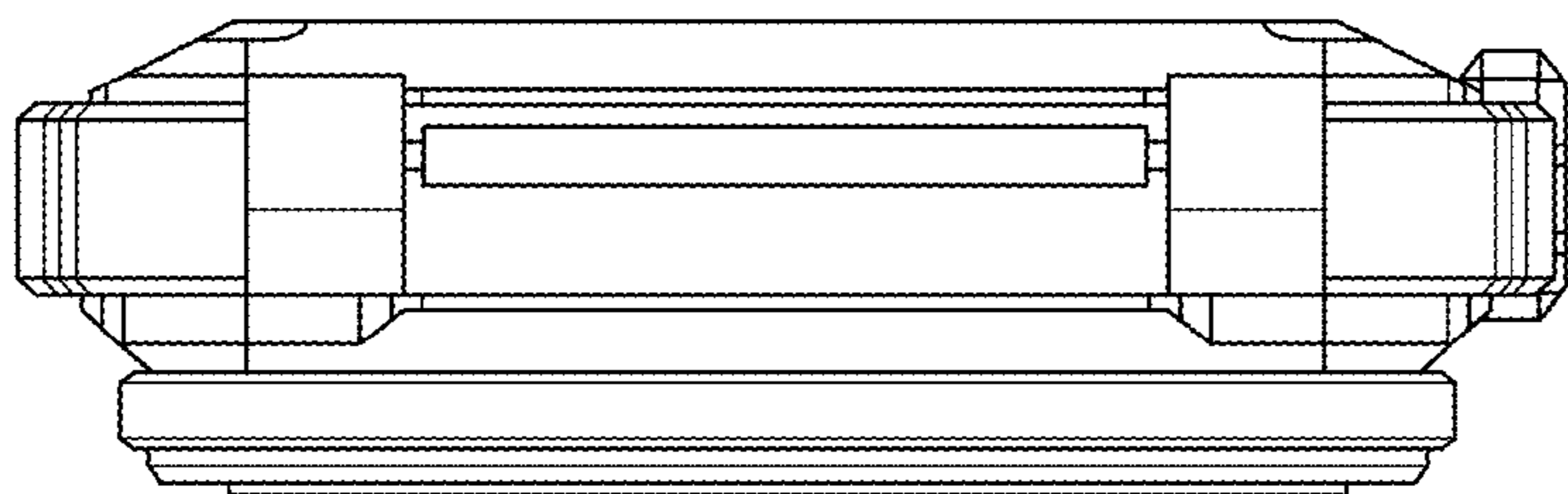


FIG. 5

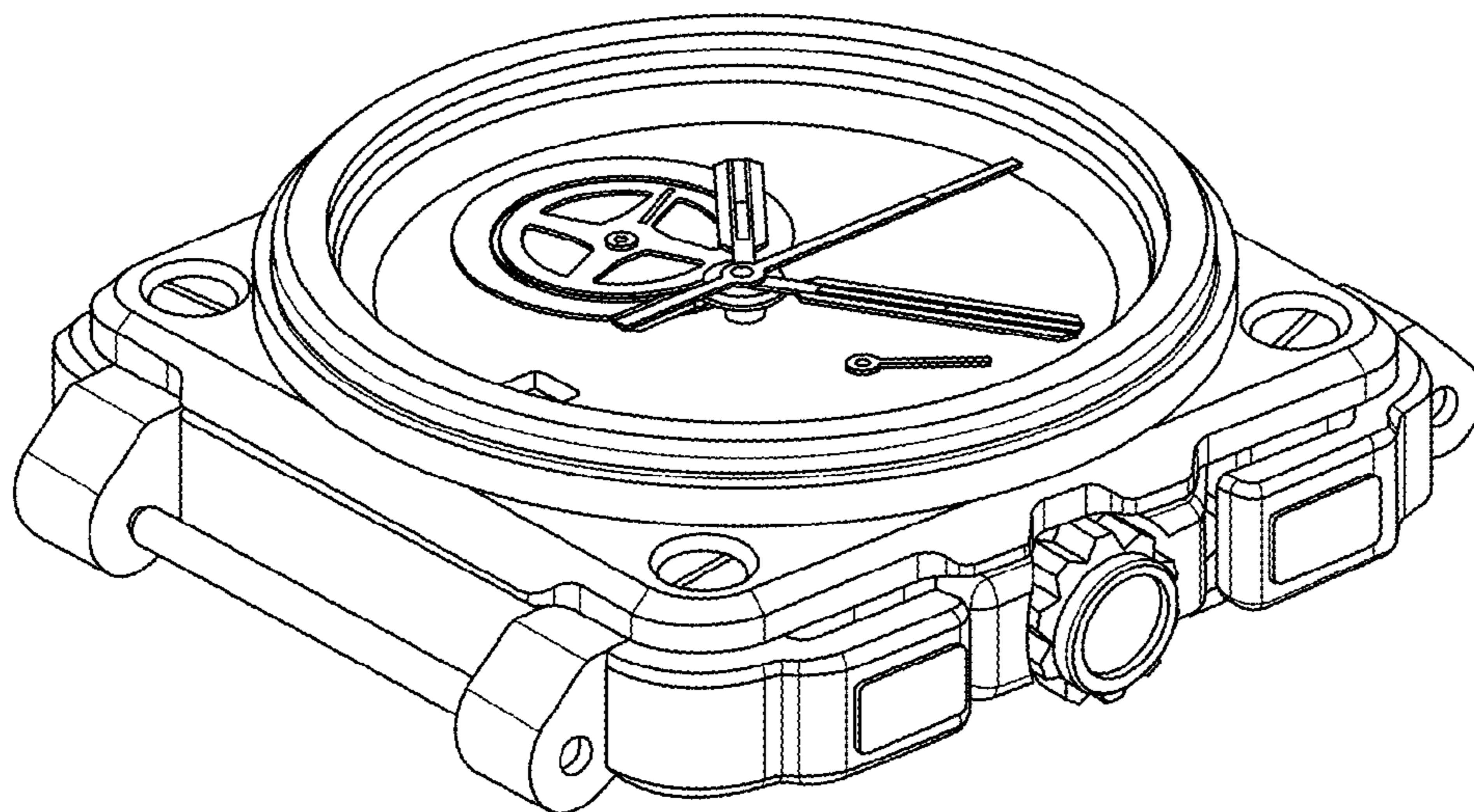


FIG. 6

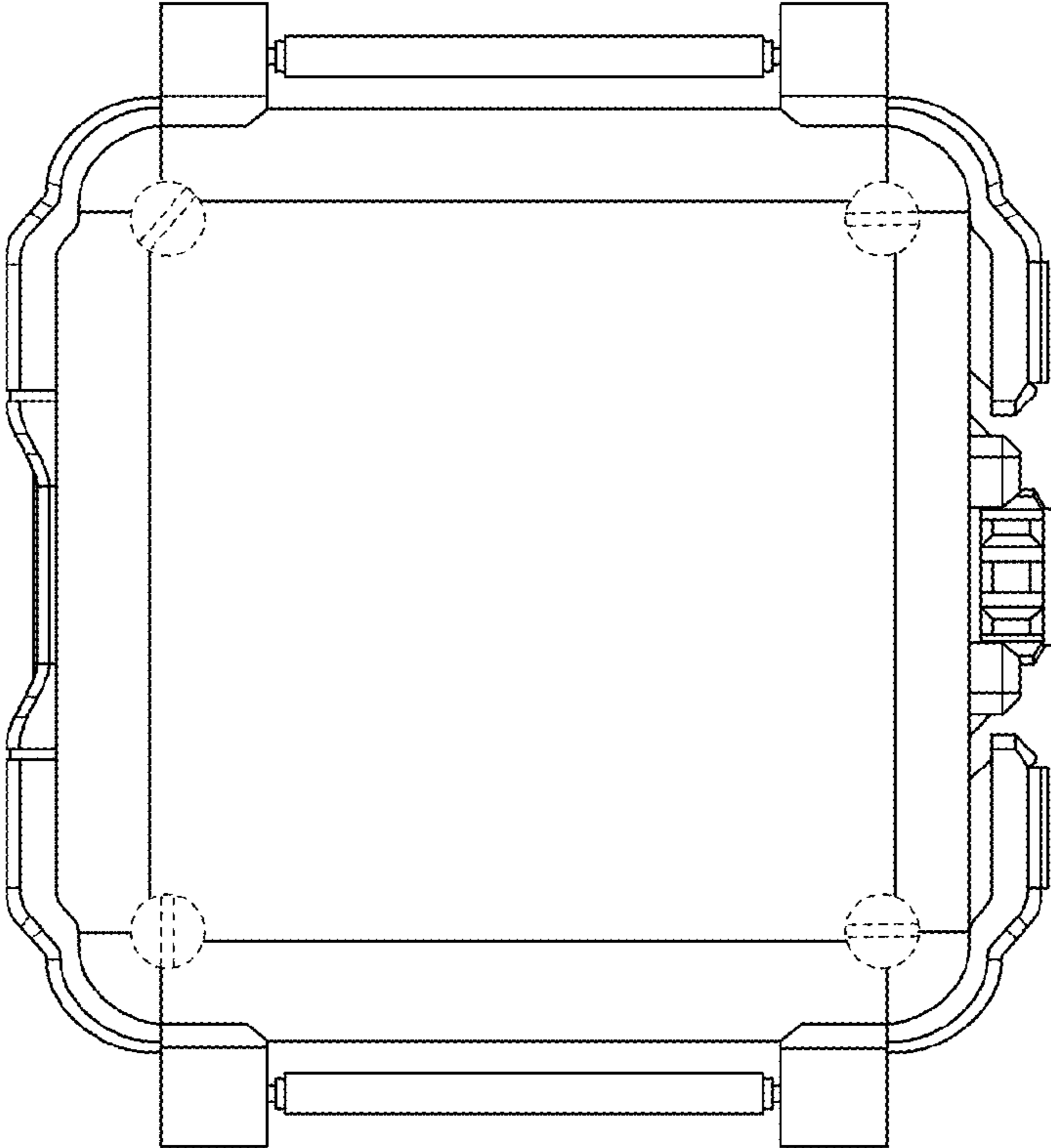


FIG. 7