



US00D761668S

(12) **United States Design Patent**
Duval

(10) **Patent No.:** **US D761,668 S**
(45) **Date of Patent:** **** Jul. 19, 2016**

(54) TIMEPIECE	4,020,787 A *	5/1977	Castro	G09F 7/00 116/291
(71) Applicant: SEVENFRIDAY AG , Zurich (CH)	D257,963 S *	1/1981	Sticker	D10/126
(72) Inventor: Arnaud Duval , Bienne (CH)	D302,394 S *	7/1989	Merrell	D10/102
(73) Assignee: Sevenfriday AG (CH)	5,051,968 A *	9/1991	Calabrese	G04B 19/20 368/221
(**) Term: 15 Years	D360,593 S *	7/1995	McLaughlin	D10/126
(21) Appl. No.: 29/529,037	D471,822 S *	3/2003	Goeckeritz	D10/32
(22) Filed: Jun. 3, 2015	D522,886 S *	6/2006	Bolt	D10/34
	D588,025 S *	3/2009	Belamich	D10/39
	7,527,423 B2 *	5/2009	Ruchonnet	G04B 17/285 368/127
	D630,530 S *	1/2011	Nunes	D10/38
	D632,593 S *	2/2011	Nunes	D10/39
	D659,042 S *	5/2012	Gruosi	D10/125
	D749,433 S *	2/2016	Duval	D10/125

(30) **Foreign Application Priority Data**

Feb. 10, 2015 (CH) 1412/81

(51) **LOC (10) Cl.** **10-02**

(52) **U.S. Cl.**
USPC **D10/39**; D10/30; D10/126

(58) **Field of Classification Search**
USPC D10/30-39, 1-29, 122-132
CPC G04B 19/00; G04B 19/06; G04B 19/065;
G04B 19/08; G04B 19/10; G04B 19/20;
G04B 19/202; G04B 19/04; G04B 19/046;
G04B 7/00; G04G 9/00; G04G 9/06; G04G
17/00; G04G 17/08
See application file for complete search history.

(56) **References Cited**

U.S. PATENT DOCUMENTS

1,475,800 A * 11/1923 Creasy G04B 19/20
326/233

D103,489 S * 3/1937 Brown D10/102

2,892,304 A * 6/1959 Eaves G04B 7/00
116/DIG. 26

* cited by examiner

Primary Examiner — Martie K Holtje

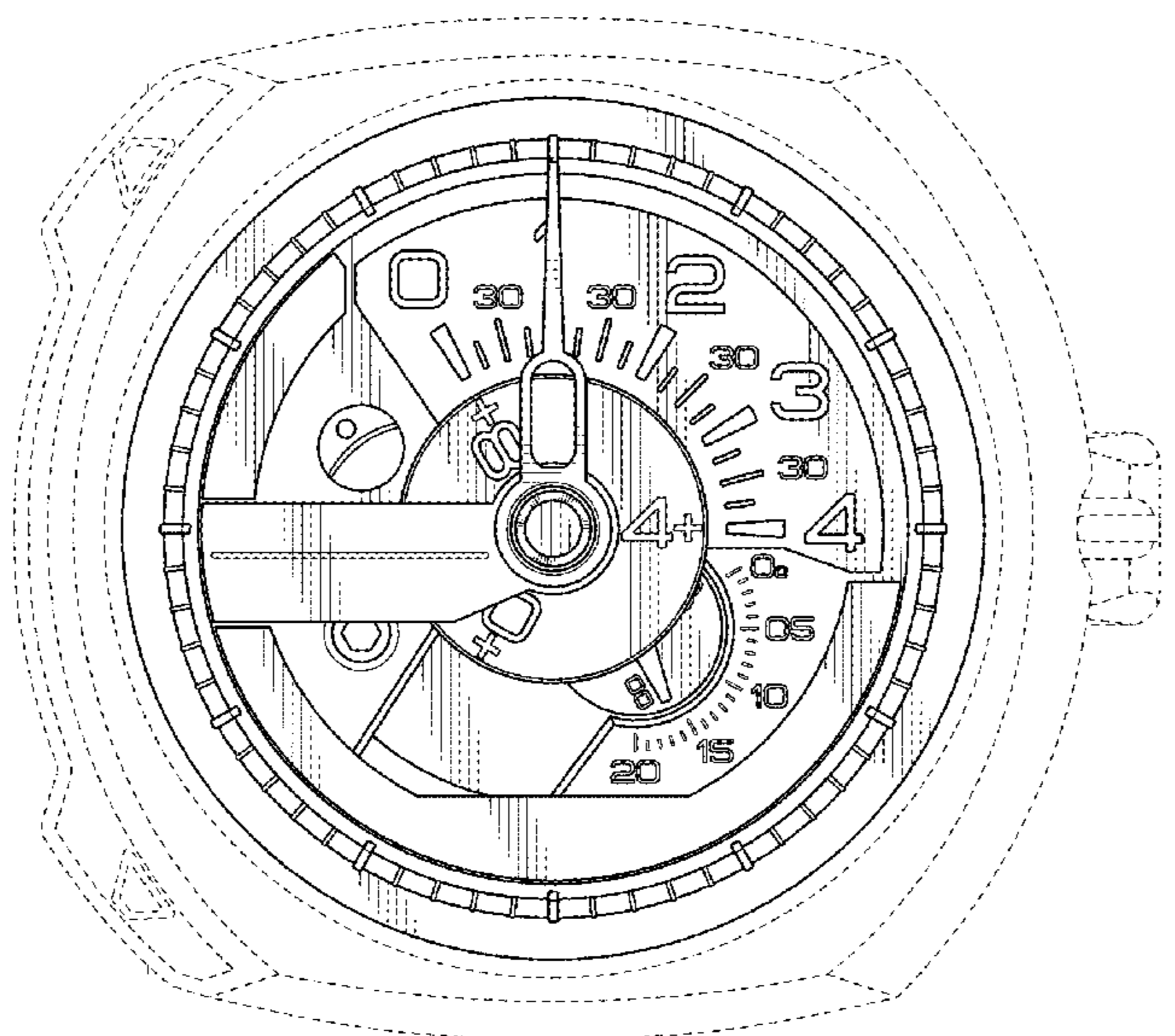
(74) *Attorney, Agent, or Firm* — Baker & Hostetler LLP

(57) **CLAIM**
The ornamental design for a timepiece, as shown and described.

DESCRIPTION

FIG. 1 is a top perspective view of a timepiece according to my new design;
FIG. 2 is a bottom perspective view thereof;
FIG. 3 is a left elevation view thereof;
FIG. 4 is a right elevation view thereof;
FIG. 5 is a rear elevation view thereof, the front elevation view being a mirror image of the rear elevation view;
FIG. 6 is a top view thereof; and,
FIG. 7 is a bottom view thereof.
The broken lines shown are included for the purpose of illustrating portions of the timepiece that form no part of the claim.

1 Claim, 5 Drawing Sheets



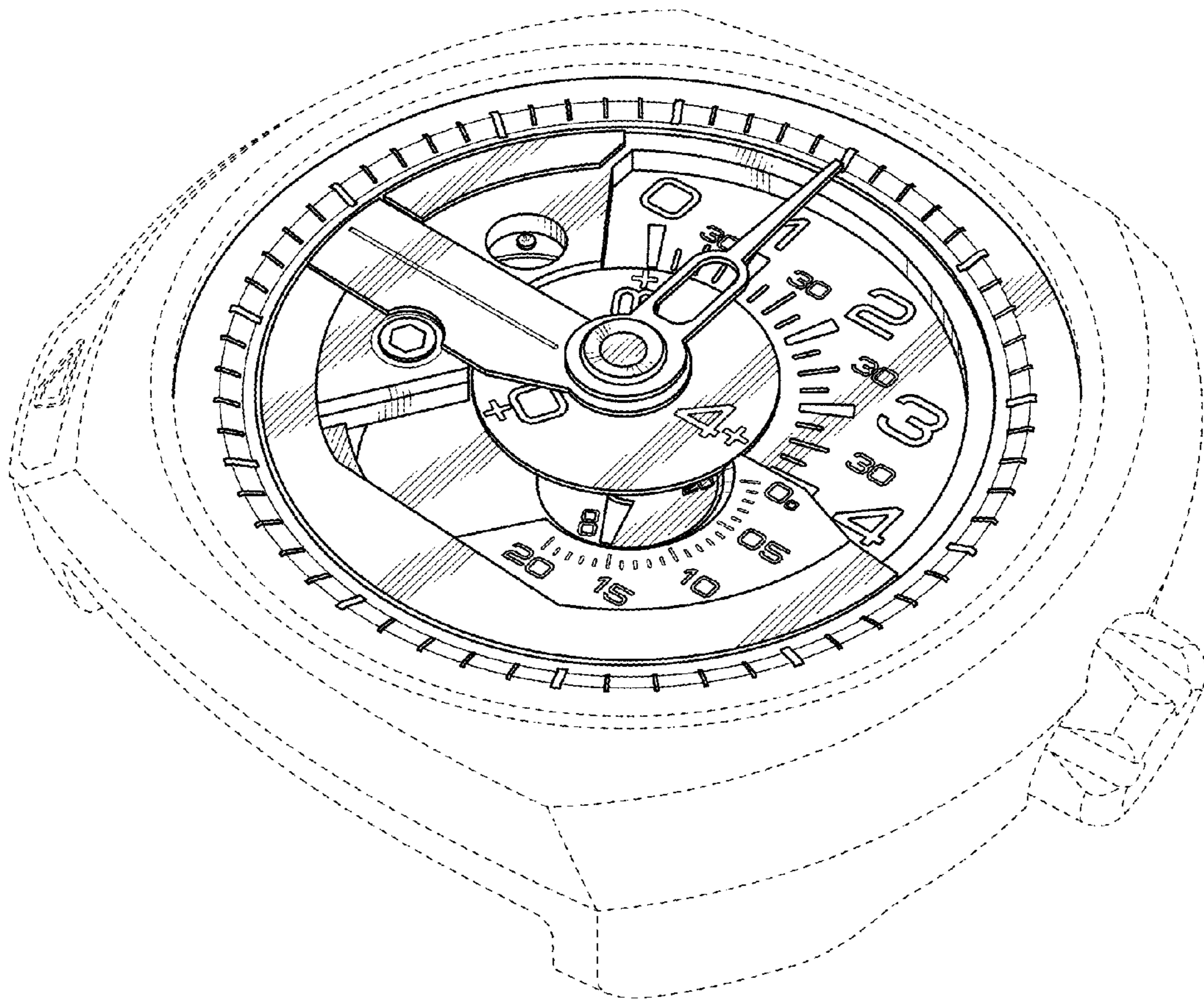


FIG. 1

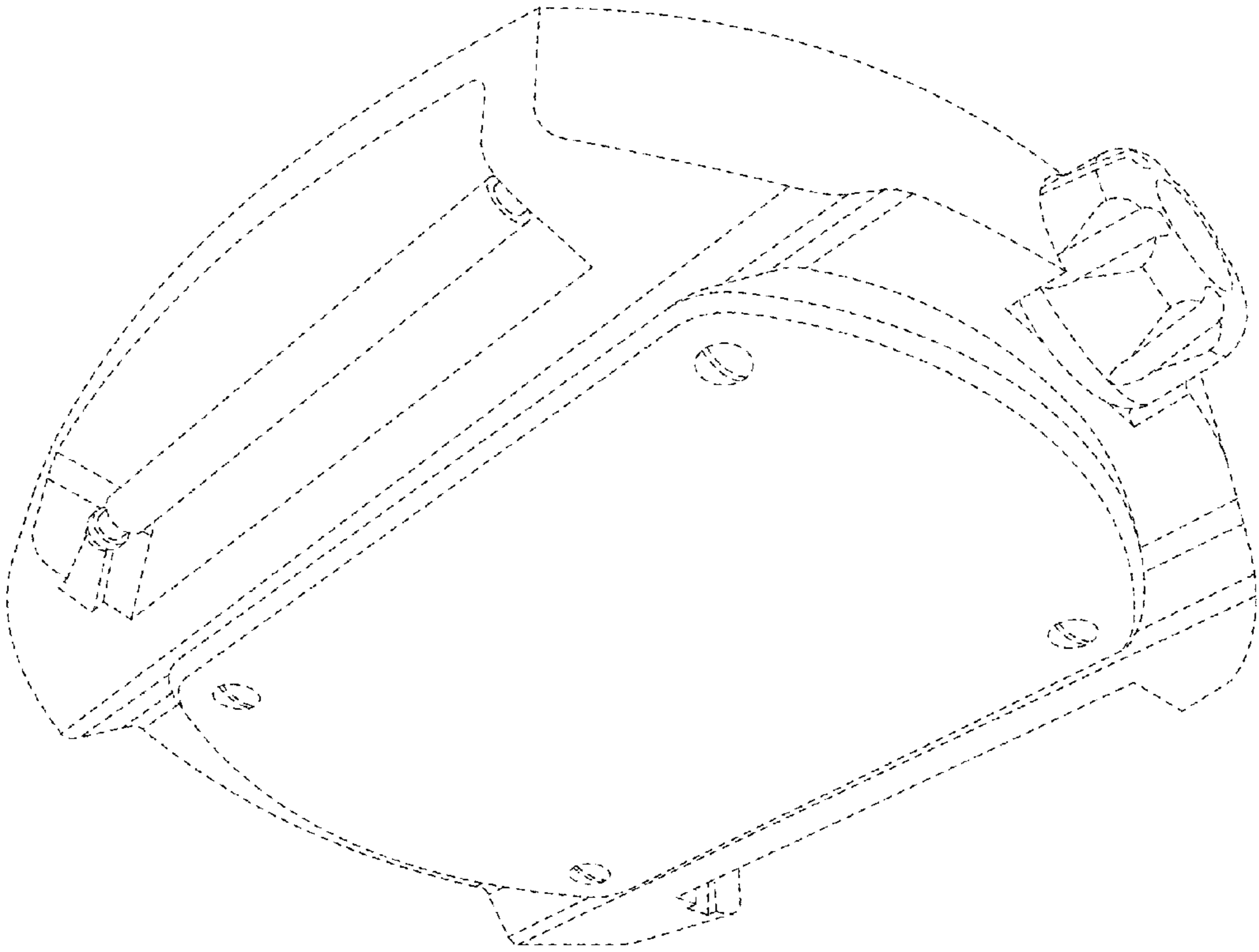


FIG. 2

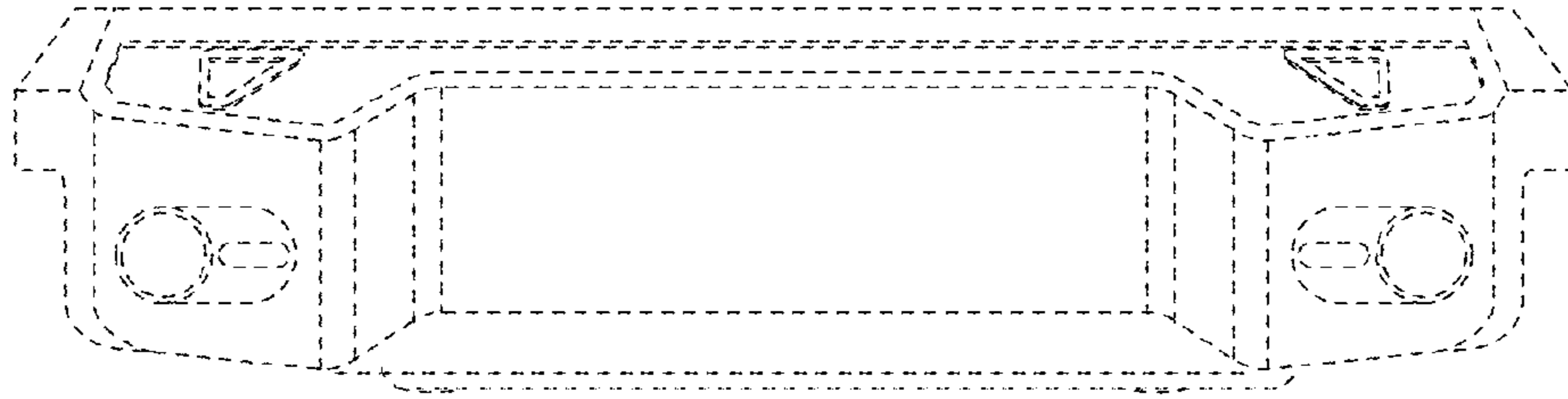


FIG. 3

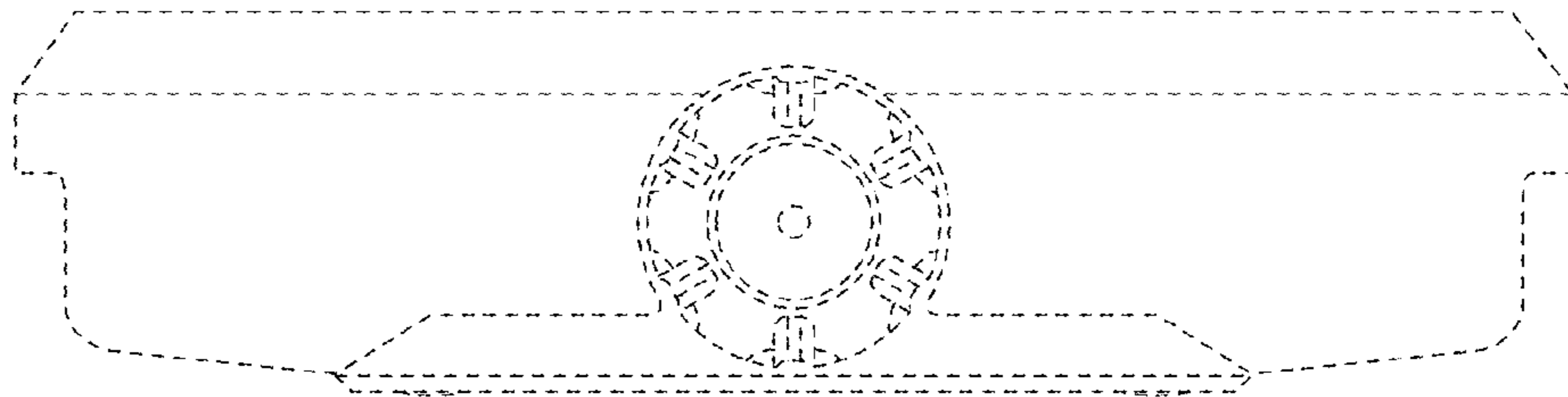


FIG. 4

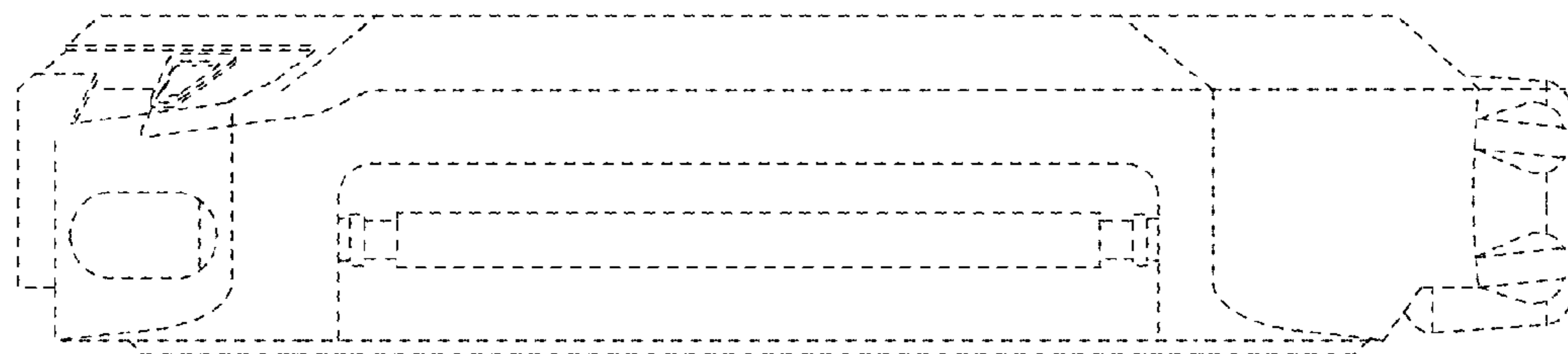


FIG. 5

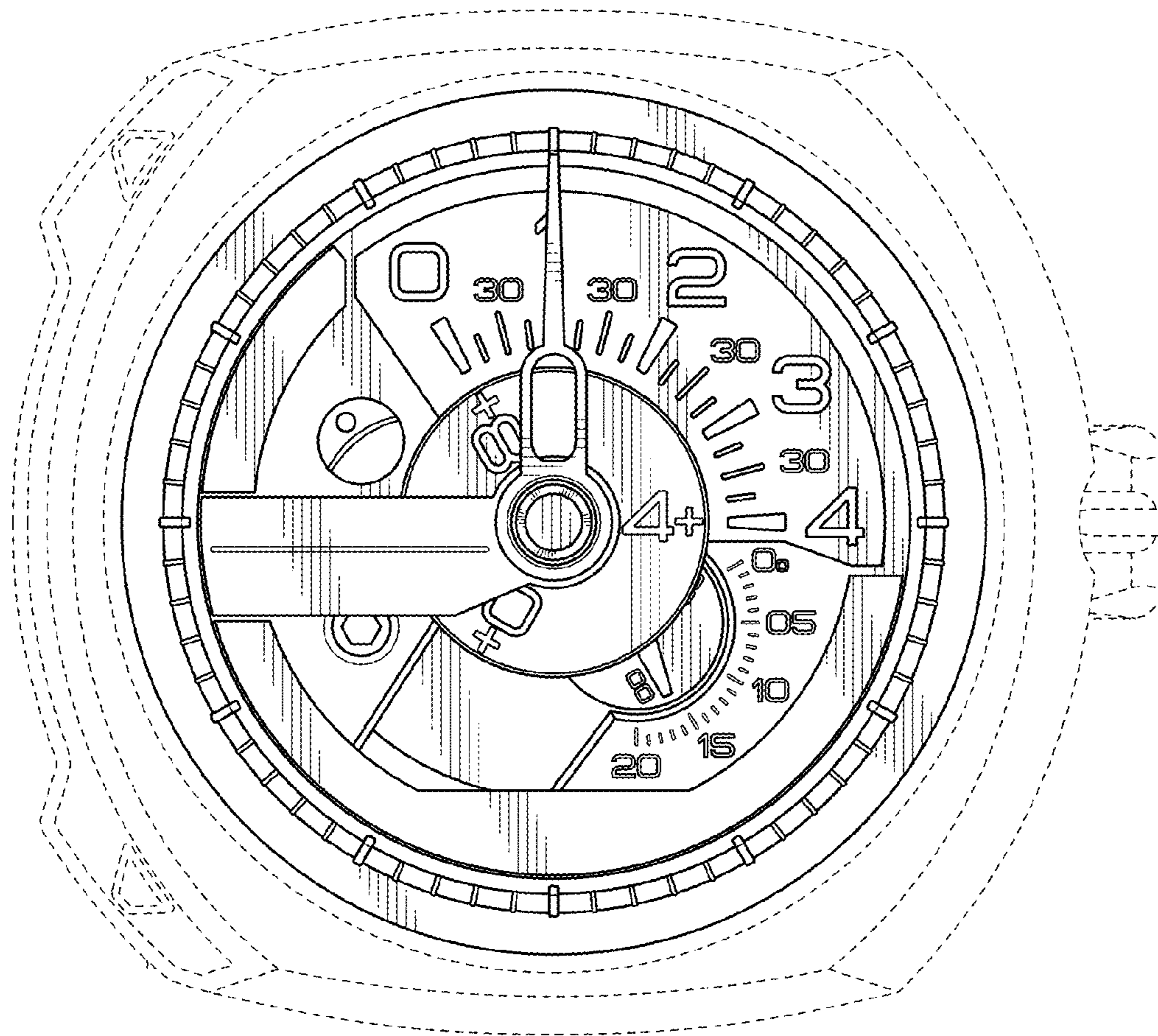


FIG. 6

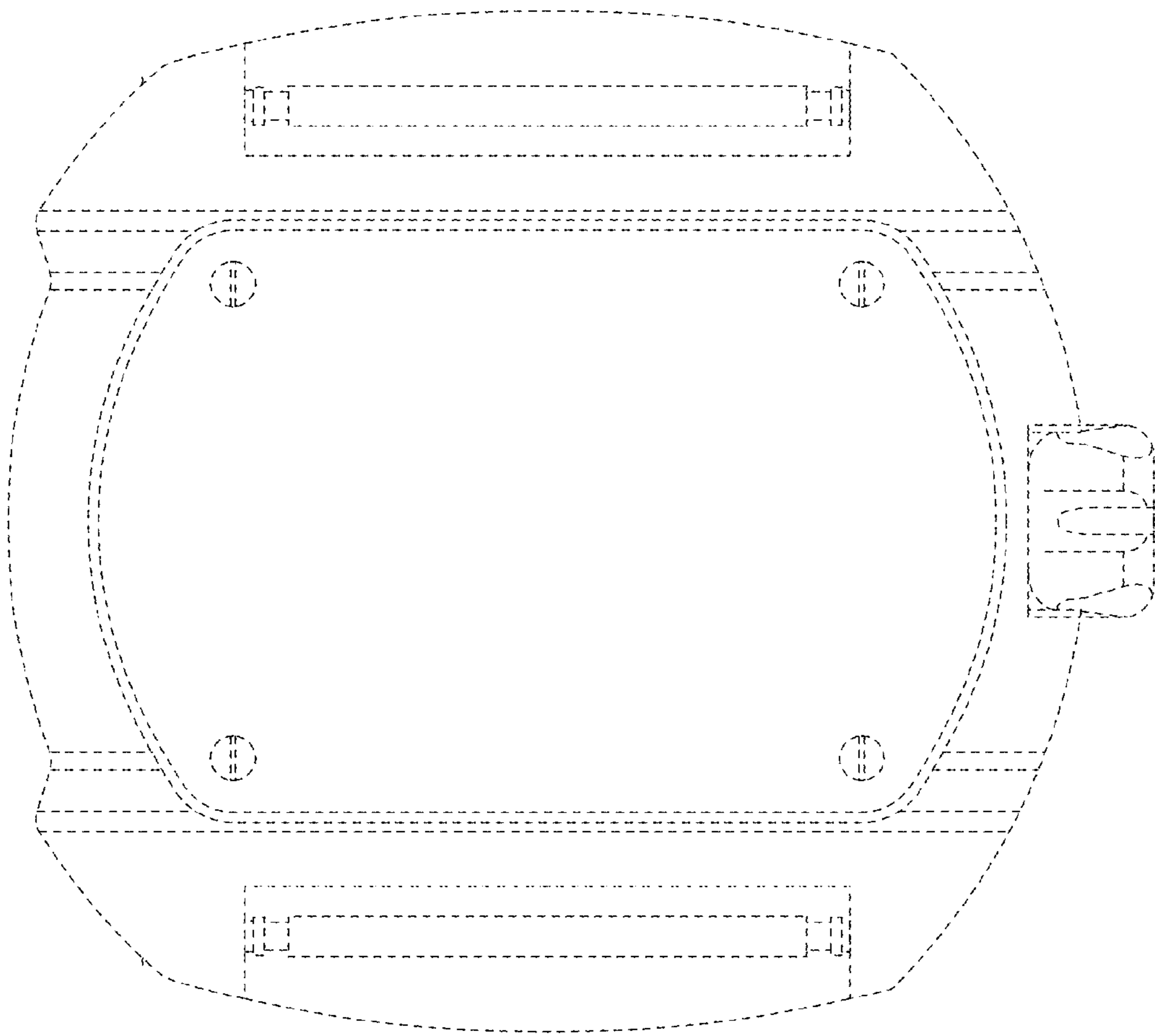


FIG. 7