

US00D761664S

(12) **United States Design Patent**
Rodriguez

(10) **Patent No.:** **US D761,664 S**
(45) **Date of Patent:** **** Jul. 19, 2016**

(54) **SEPARATABLE FOOD PACKAGING**

- (71) Applicant: **Joel A. Rodriguez**, Hackensack, NJ
(US)
- (72) Inventor: **Joel A. Rodriguez**, Hackensack, NJ
(US)
- (**) Term: **14 Years**
- (21) Appl. No.: **29/497,725**
- (22) Filed: **Jul. 28, 2014**
- (51) **LOC (10) Cl.** **09-01**
- (52) **U.S. Cl.**
USPC **D9/732**
- (58) **Field of Classification Search**
USPC D9/414, 424, 456, 702, 707, 732, 737,
D9/756, 759, 761; 206/261, 461, 462, 467,
206/469, 470, 471, 528, 530, 531, 532, 534,
206/534.1, 534.2, 535-540; D24/227, 229,
D24/230; 229/87.01, 87.06, 87.08, 87.11
CPC B65D 75/327; B65D 2585/56; B65D
75/367; B65D 75/32; B65D 2575/3227;
B65D 83/0445; B65D 2575/367; B65D
2575/3245; B65D 83/04; B65D 75/22; B65D
75/5855; B65D 75/323; B65D 2543/00296;
B65D 5/4204; B65D 25/04; B65D 75/52;
B65D 75/585; B65D 73/0035; B65D 73/0085;
B65D 75/58; B65D 2543/00194; B65D 1/36;
B65D 73/0078; B65D 2543/00805; B65D
73/0042; B65D 75/225; B65D 77/30; B65D
2543/00092; B65D 75/522; B65D 1/0223

See application file for complete search history.

(56) **References Cited**

U.S. PATENT DOCUMENTS

3,288,280	A *	11/1966	Bostrom	B65D 75/36 206/461
3,325,000	A *	6/1967	Edwards	B65D 1/36 206/256
3,550,764	A *	12/1970	Tigner	B29C 37/0057 206/484
3,812,963	A *	5/1974	Zahuranec	B65D 75/366 206/468
4,218,155	A *	8/1980	Weidner	A47L 25/08 206/484
D304,679	S *	11/1989	Corella	D9/415
D355,593	S *	2/1995	Bell	D7/635
D390,457	S *	2/1998	Hoska	D9/707
D480,971	S *	10/2003	DeLuca	D9/456
D580,749	S *	11/2008	Miller	D9/416
D680,267	S *	4/2013	Drought	D28/8.1
D685,651	S *	7/2013	Hjalmarsson	D9/732
D718,086	S *	11/2014	Lewis	D7/391

* cited by examiner

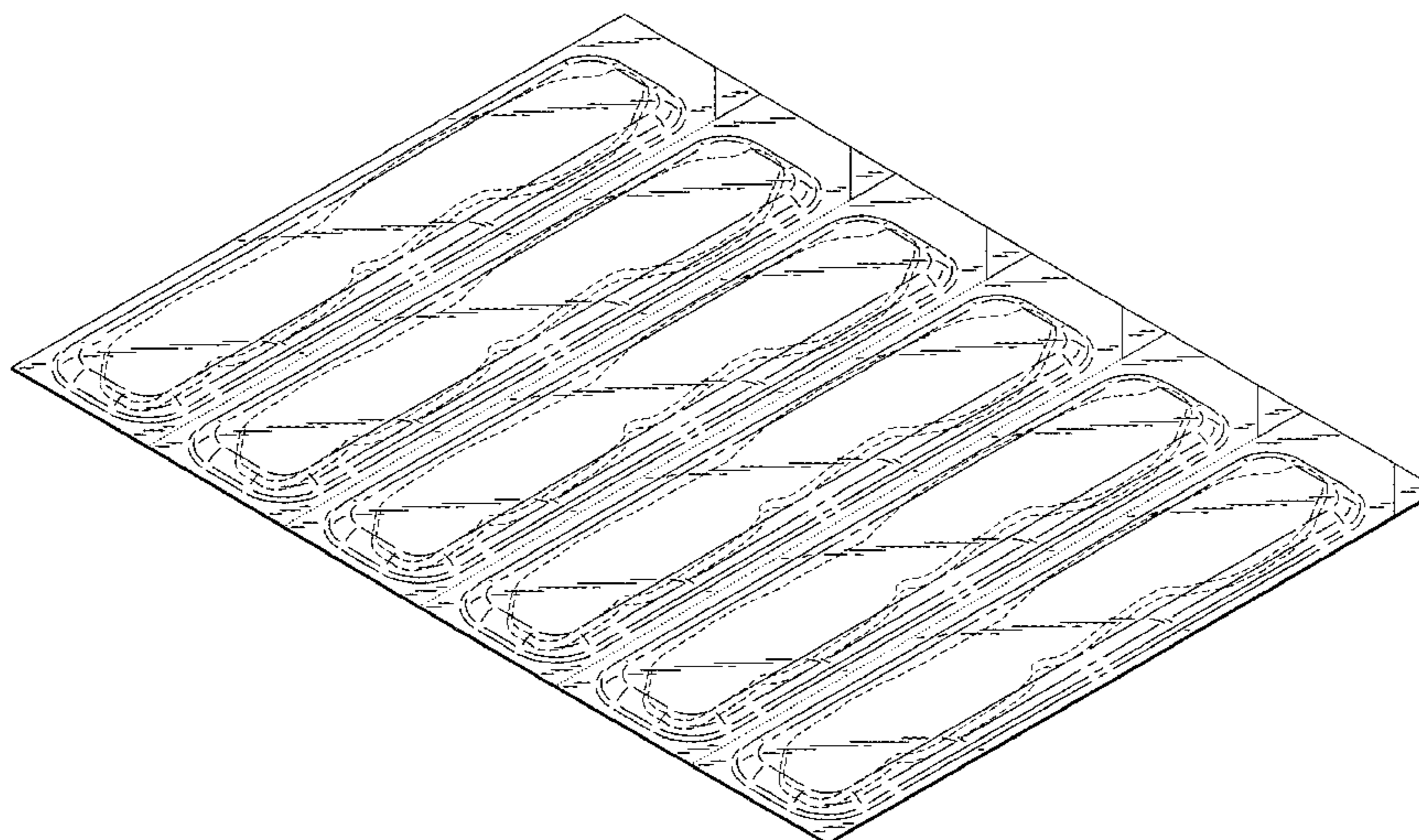
Primary Examiner — Derrick Holland
Assistant Examiner — Lauren Calve
(74) *Attorney, Agent, or Firm* — Dale J. Ream

(57) **CLAIM**
The ornamental design for a separatable food packaging, as shown and described.

DESCRIPTION

FIG. 1 is a perspective view of a separatable food packaging showing my new design in environmental use;
FIG. 2 is a front view of the separatable food packaging;
FIG. 3 is a back view thereof;
FIG. 4 is a right side view thereof;
FIG. 5 is a left side view thereof;
FIG. 6 is a top view thereof; and,
FIG. 7 is a bottom view thereof.
The broken lines shown in FIG. 1 represent unclaimed subject matter and form no part of the claimed design.
The dotted lines shown in FIGS. 1, 6 and 7 represent perforation and form part of the claimed design.

1 Claim, 5 Drawing Sheets



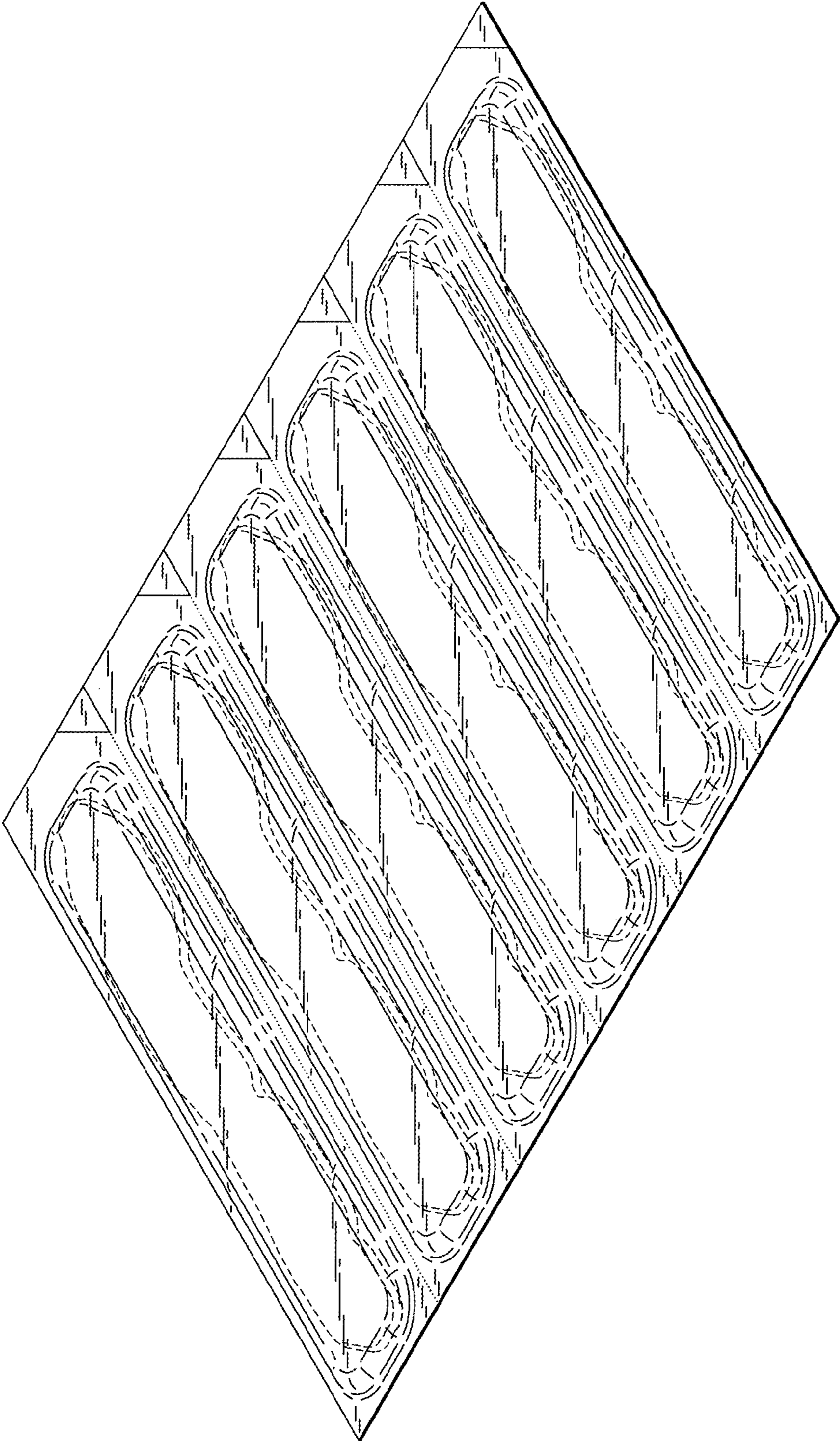


FIG. 1



FIG. 2



FIG. 3



FIG. 4



FIG. 5

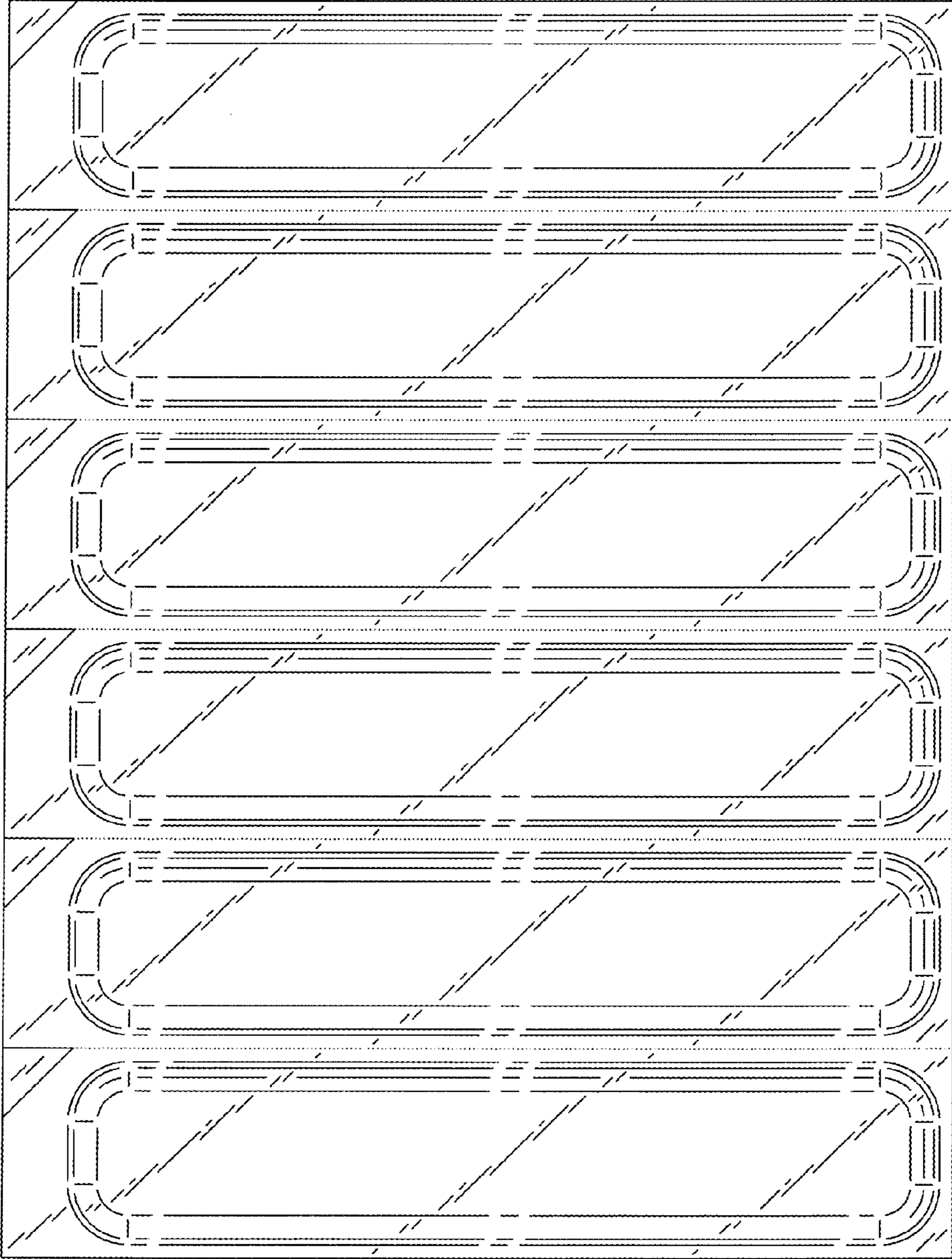


FIG. 6

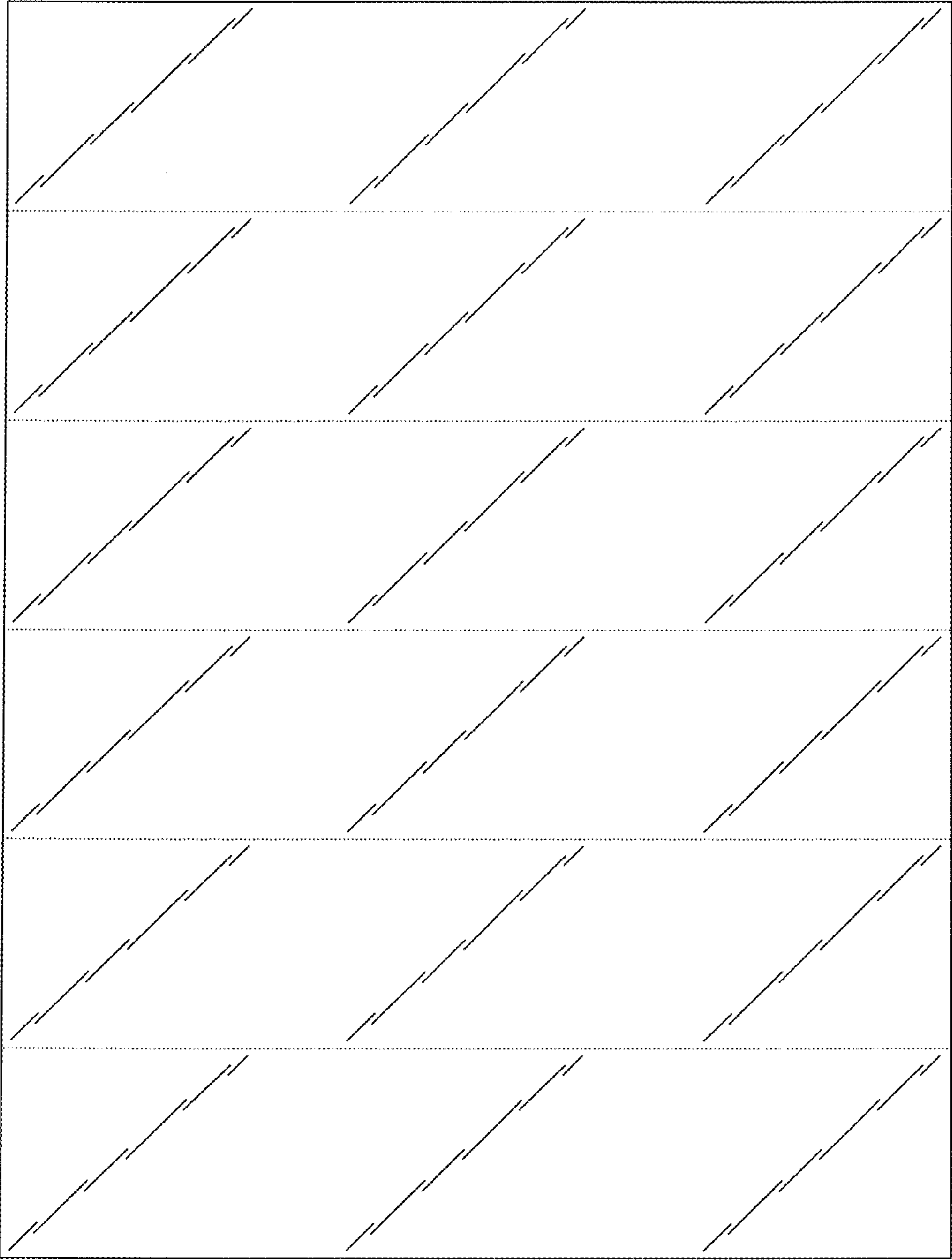


FIG. 7