

US00D761660S

(12) **United States Design Patent**
Giles

(10) **Patent No.:** **US D761,660 S**

(45) **Date of Patent:** **** Jul. 19, 2016**

(54) **FOOTBALL BOTTLE**

(71) Applicant: **Carleton J Giles**, Columbia, SC (US)

(72) Inventor: **Carleton J Giles**, Columbia, SC (US)

(**) Term: **14 Years**

(21) Appl. No.: **29/522,342**

(22) Filed: **Mar. 30, 2015**

(51) **LOC (10) Cl.** **09-01**

(52) **U.S. Cl.**
USPC **D9/668**

(58) **Field of Classification Search**
USPC D3/270, 271.1-271.4; D7/514-520,
D7/599, 604, 613, 619.2, 623, 628, 901;
D9/600, 668, 500, 502-505, 516,
D9/522-523, 537-546, 549-553, 556-560,
D9/574-575; 206/457, 459.5, 527;
215/381-384, 400; 220/288
CPC B65D 5/4258; B65D 81/60; B65D 81/365;
B65D 81/366; B65D 81/368; B65D 2203/00;
B65D 2203/02
See application file for complete search history.

(56) **References Cited**

U.S. PATENT DOCUMENTS

4,164,284 A * 8/1979 Witt B65D 11/02
D7/901
D323,602 S * 2/1992 Katz D7/901

D391,155 S * 2/1998 Edson D7/515
D456,706 S * 5/2002 Rhodes D9/668
D519,384 S * 4/2006 Voss D9/668
D549,107 S * 8/2007 Bourne D9/538
D571,670 S * 6/2008 Lepoitevin D9/668
D621,657 S * 8/2010 Quinn D7/515
D711,248 S * 8/2014 Martin D9/668
D740,128 S * 10/2015 Martin D9/668

* cited by examiner

Primary Examiner — Sandra Morris

(74) *Attorney, Agent, or Firm* — Southeast IP Group, LLC.;
Thomas L. Moses

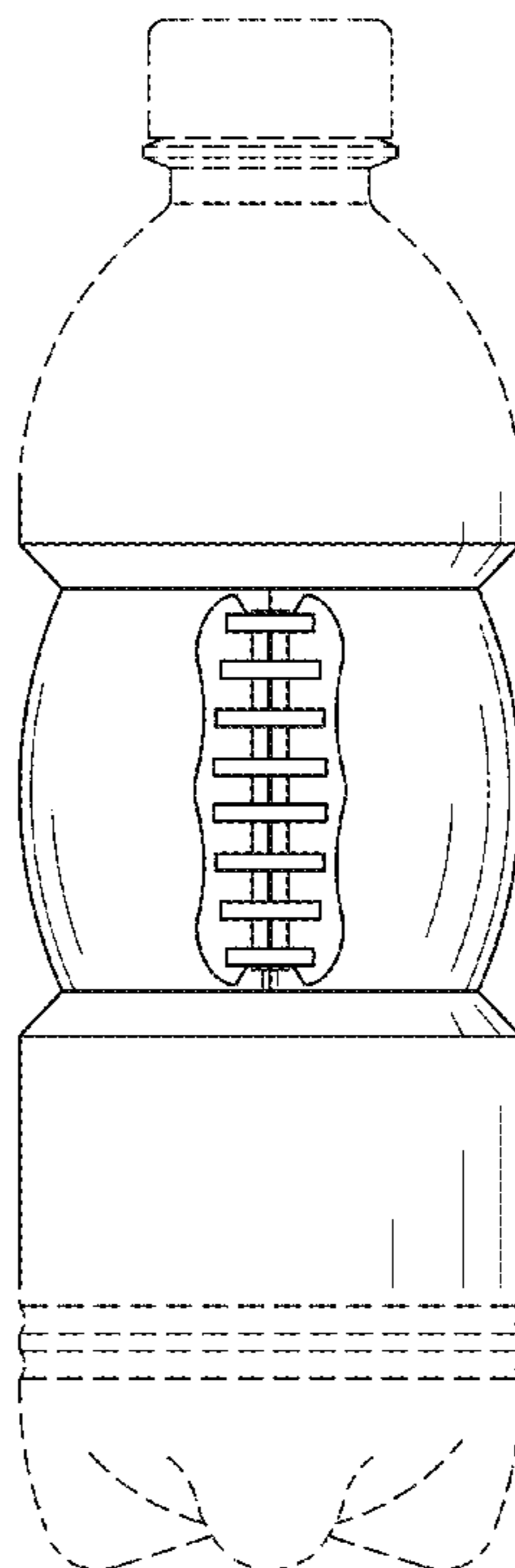
(57) **CLAIM**

The ornamental design for a football bottle, as shown and described.

DESCRIPTION

FIG. 1 is a front view of my design for a football bottle.
FIG. 2 is a right side view thereof.
FIG. 3 is a left side view thereof.
FIG. 4 is a rear view thereof.
FIG. 5 is a top plan view thereof; and,
FIG. 6 is a bottom plan view thereof.
The top and bottom of the bottle shown in broken lines illustrates that portion of the article in which the design is embodied that forms no part of the claim.

1 Claim, 5 Drawing Sheets



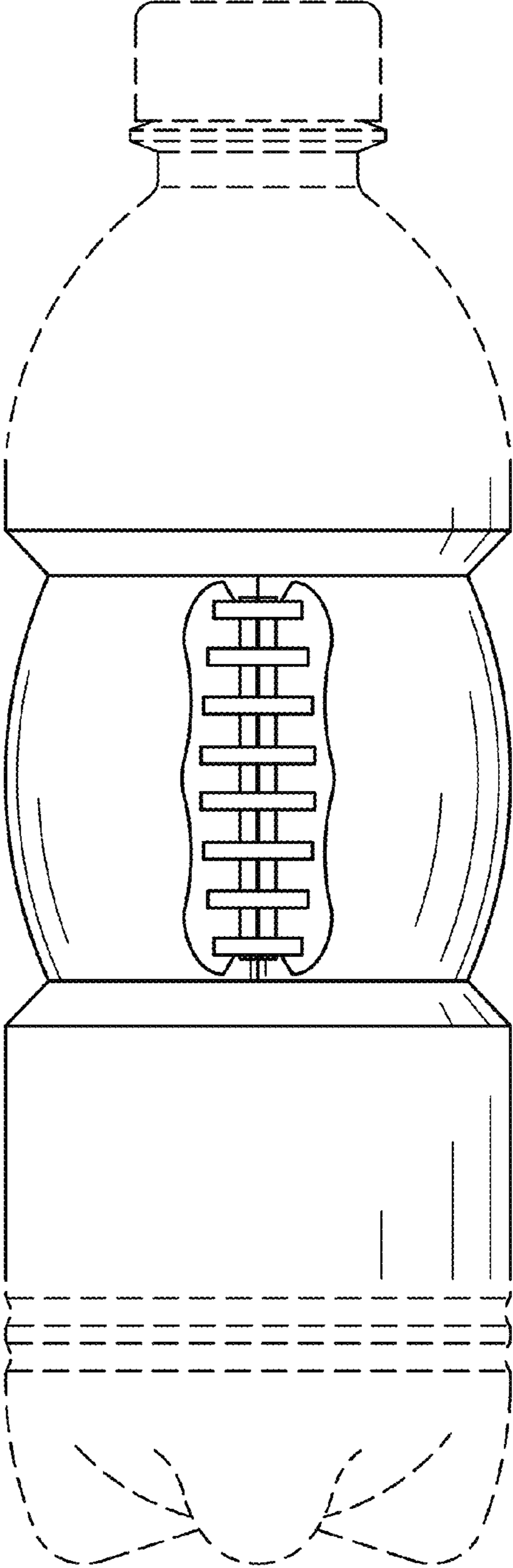


FIG. 1

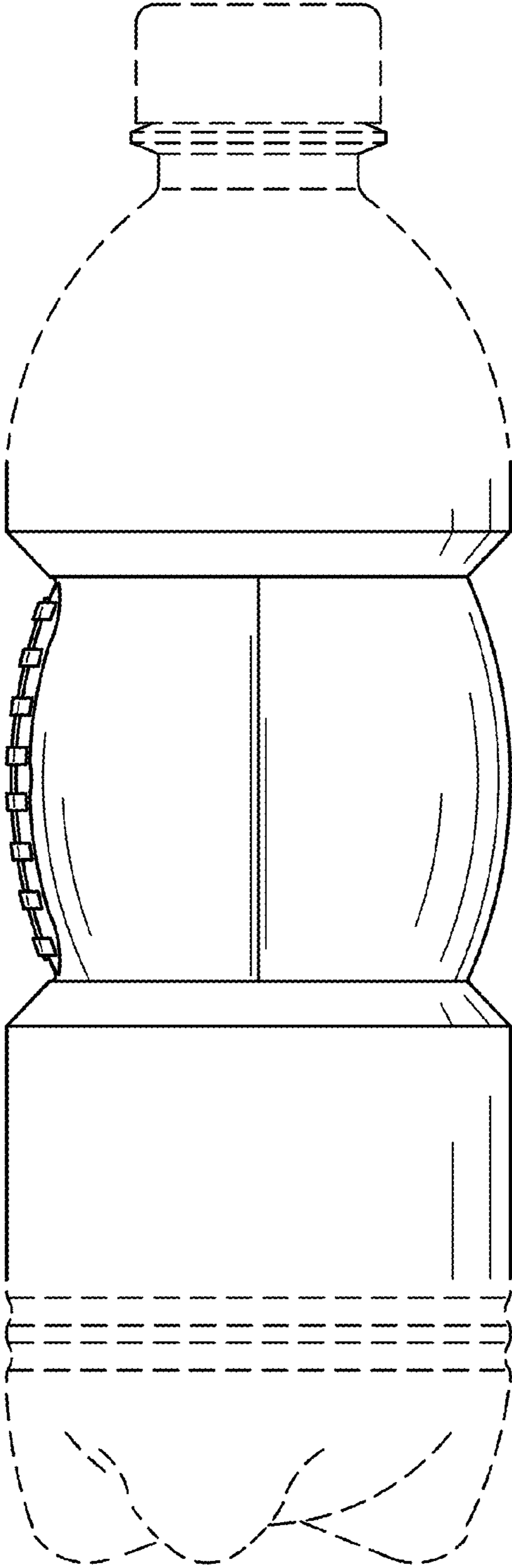


FIG. 2

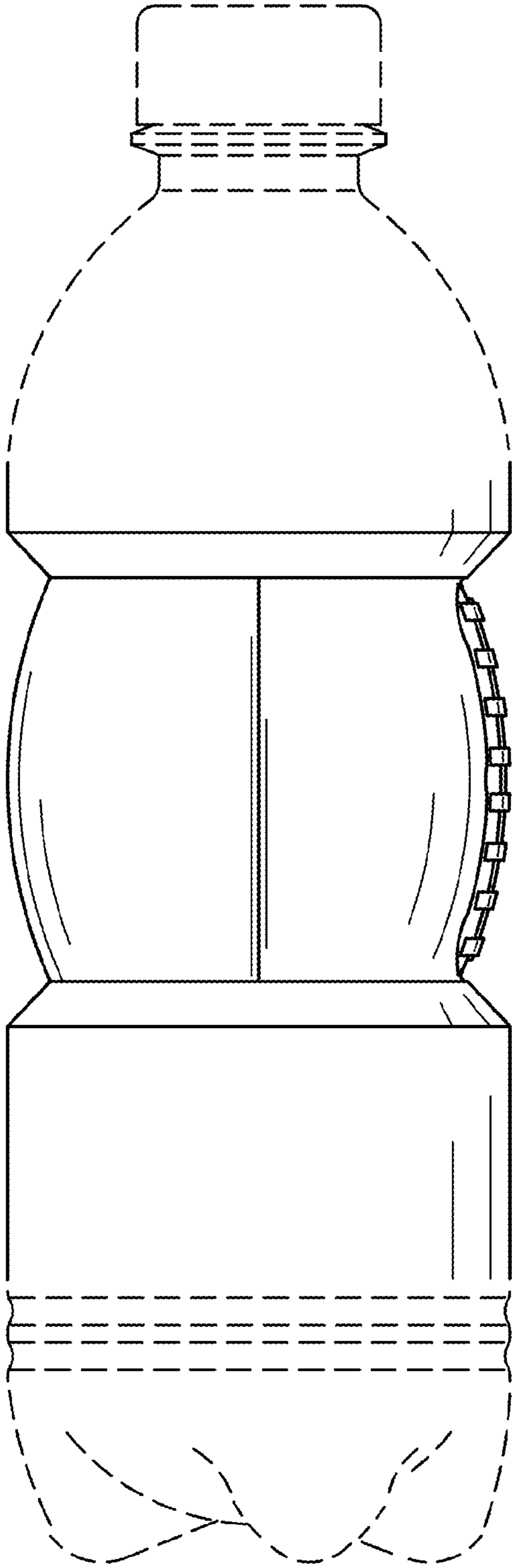


FIG. 3

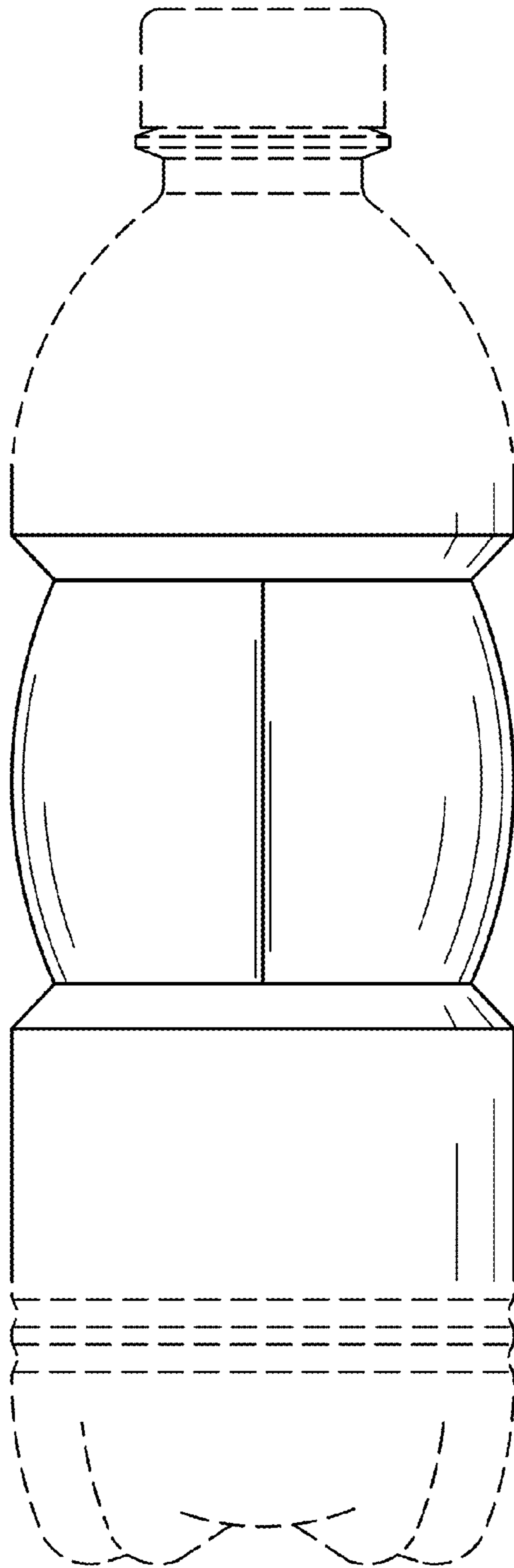


FIG. 4

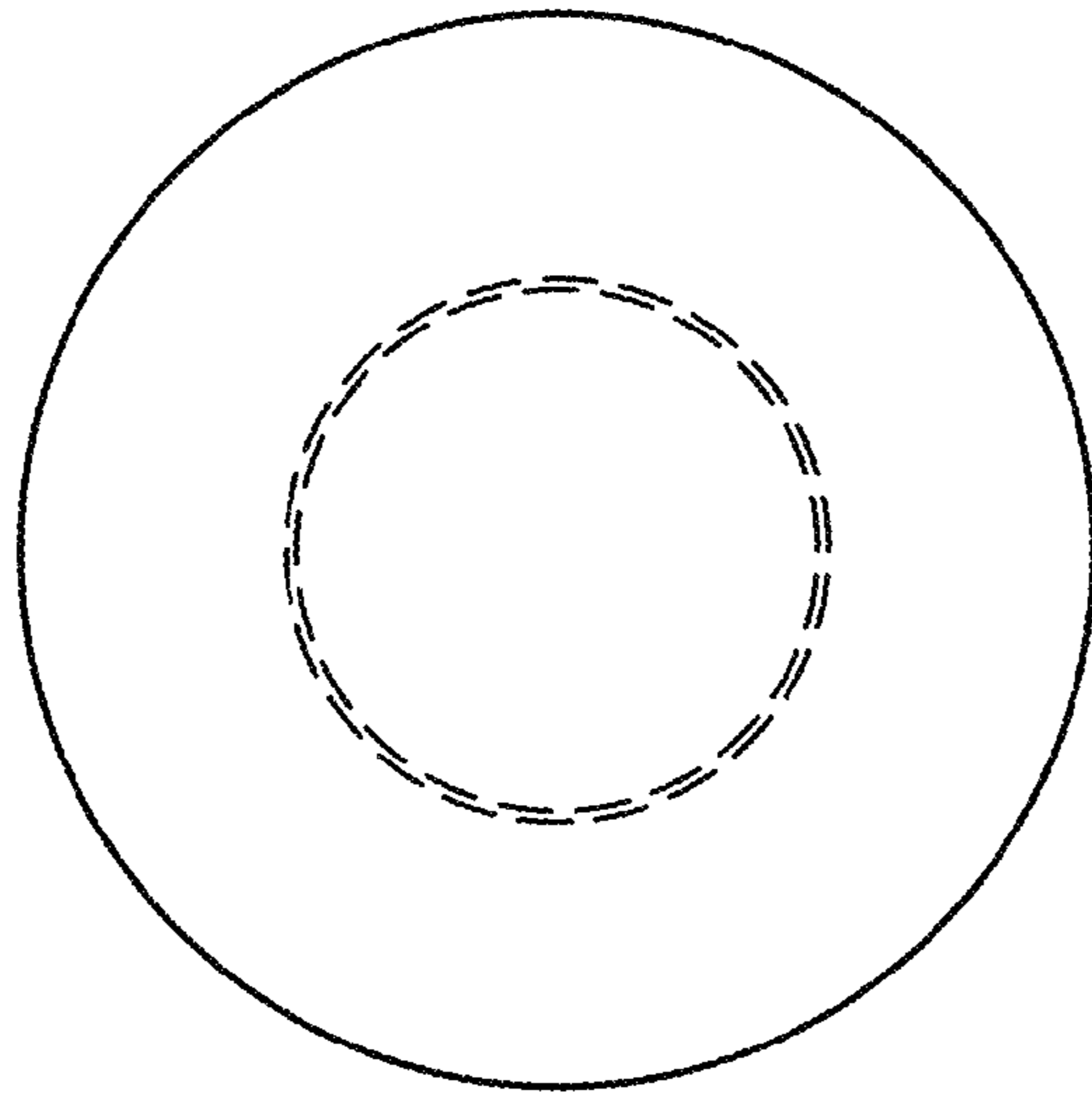


FIG. 5

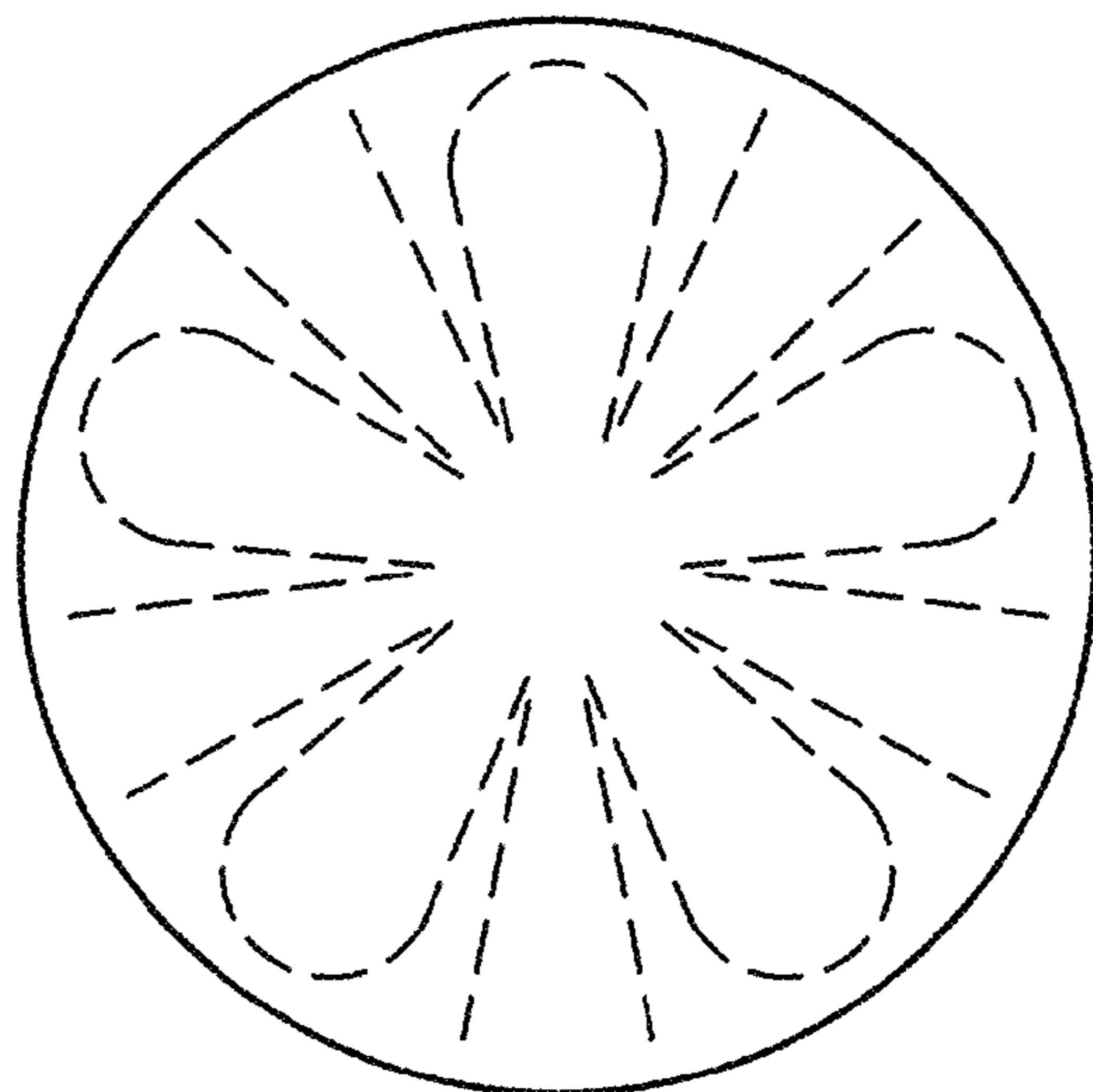


FIG. 6