



US00D761655S

(12) **United States Design Patent**
Chung

(10) **Patent No.:** **US D761,655 S**

(45) **Date of Patent:** **** Jul. 19, 2016**

(54) **BOTTLE**

(71) Applicant: **VIET HUONG TRADING COMPANY LIMITED**, Hong Kong (CN)

(72) Inventor: **An Hung Chung**, Hong Kong (CN)

(73) Assignee: **VIET HUONG TRADING COMPANY LIMITED**, Hong Kong (CN)

(**) Term: **14 Years**

(21) Appl. No.: **29/488,469**

(22) Filed: **Apr. 18, 2014**

(51) **LOC (10) Cl.** **09-01**

(52) **U.S. Cl.**
USPC **D9/500**

(58) **Field of Classification Search**
USPC D9/500, 503–505, 516, 530, 537, 539,
D9/544–545, 549, 55, 715, 719; D7/300,
D7/300.1, 598

CPC B65D 1/00; B65D 1/02; B65D 1/0223;
B65D 23/00; B65D 81/00; B65D 2501/00;
B65D 2501/0009

See application file for complete search history.

(56) **References Cited**

U.S. PATENT DOCUMENTS

D73,118 S * 7/1927 Wright D9/557
D97,218 S * 10/1935 Wise D9/502

D117,266 S *	10/1939	Gerhart	D9/500
D181,918 S *	1/1958	Arens	D9/538
D227,749 S *	7/1973	Plummerl	D7/300
D229,918 S *	1/1974	Schlessel	D7/597
D253,038 S *	10/1979	Plummer	D9/500
D264,305 S *	5/1982	Pardo	D9/500
D265,058 S *	6/1982	Ewry	D9/500
D265,382 S *	7/1982	Jonsson	D9/500
D483,264 S *	12/2003	Canepa	D9/500
D485,762 S *	1/2004	Ungrady	D9/503
D489,984 S *	5/2004	Futral	D9/500
D569,264 S *	5/2008	Yamanaka	D9/691
D617,651 S *	6/2010	Coppola	D9/551
D654,794 S *	2/2012	Morais	D9/500

* cited by examiner

Primary Examiner — Dana L Meyrow

(74) *Attorney, Agent, or Firm* — Muncy, Geissler, Olds & Lowe, P.C.

(57) **CLAIM**

The ornamental design for a bottle, as shown and described.

DESCRIPTION

FIG. 1 is a front elevational view of a bottle showing my new design;

FIG. 2 is a rear elevational view thereof;

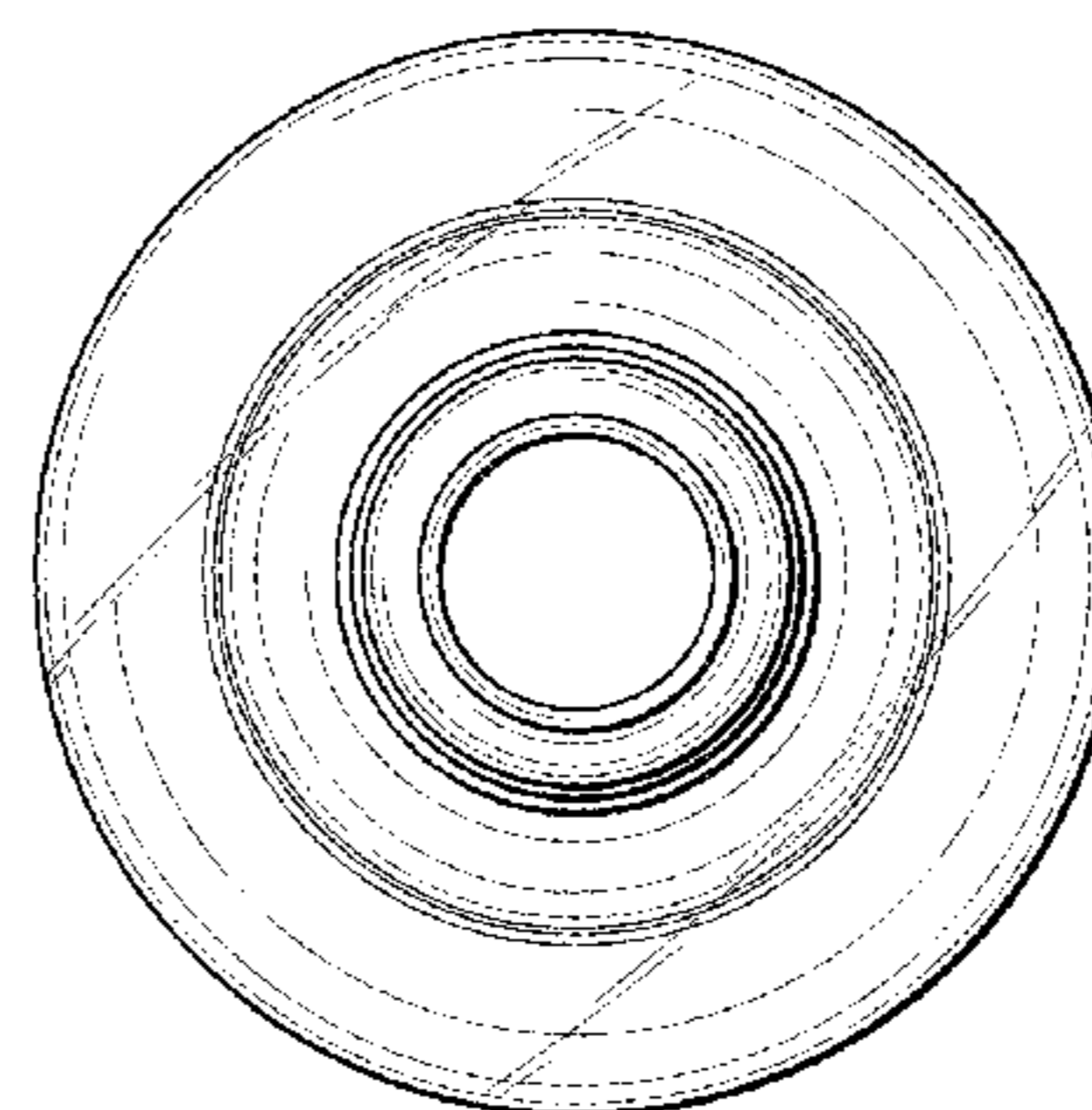
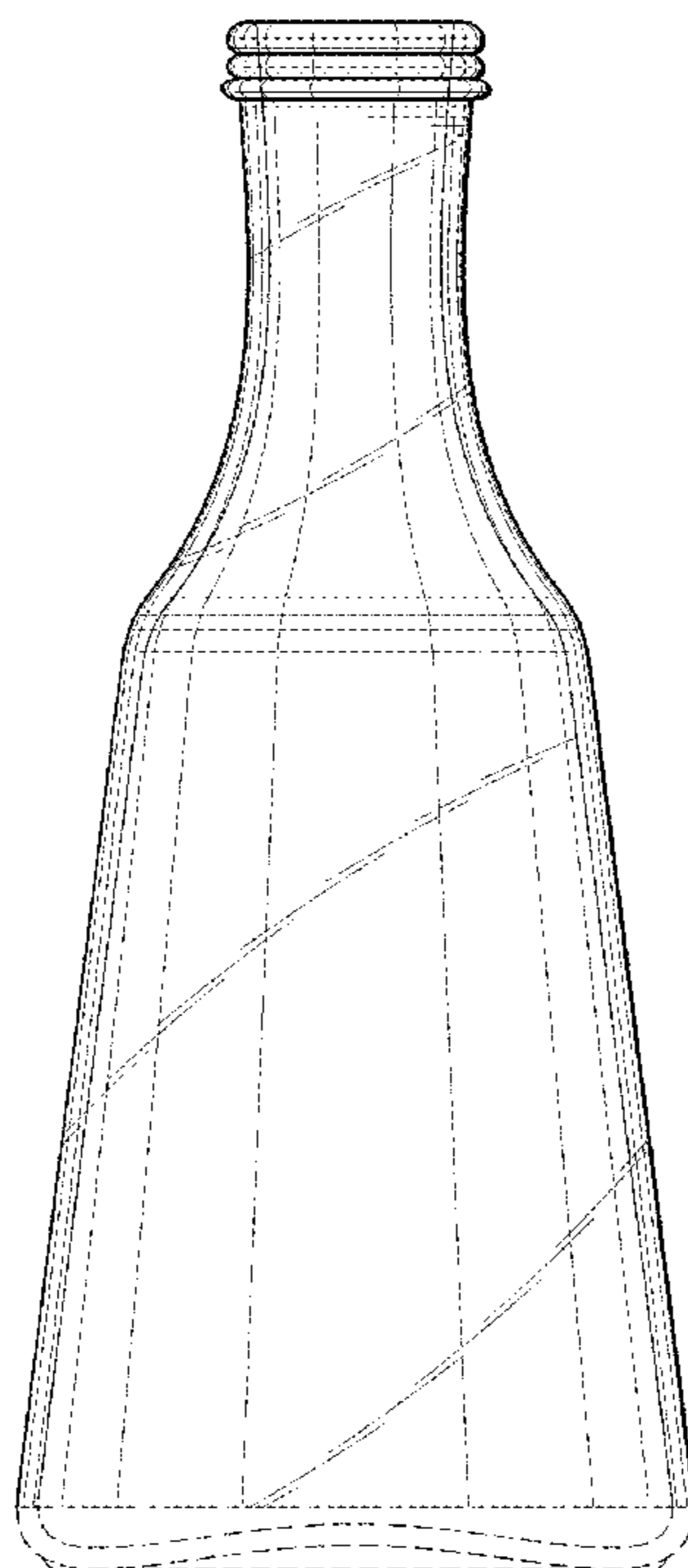
FIG. 3 is a left side view thereof;

FIG. 4 is a right side view thereof; and,

FIG. 5 is a top plan view thereof.

The evenly-dashed broken lines in the drawings illustrate the portions of the bottle that form no part of the claim. The dot-dash broken lines in the drawings define the bounds of the claim and form no part thereof.

1 Claim, 5 Drawing Sheets



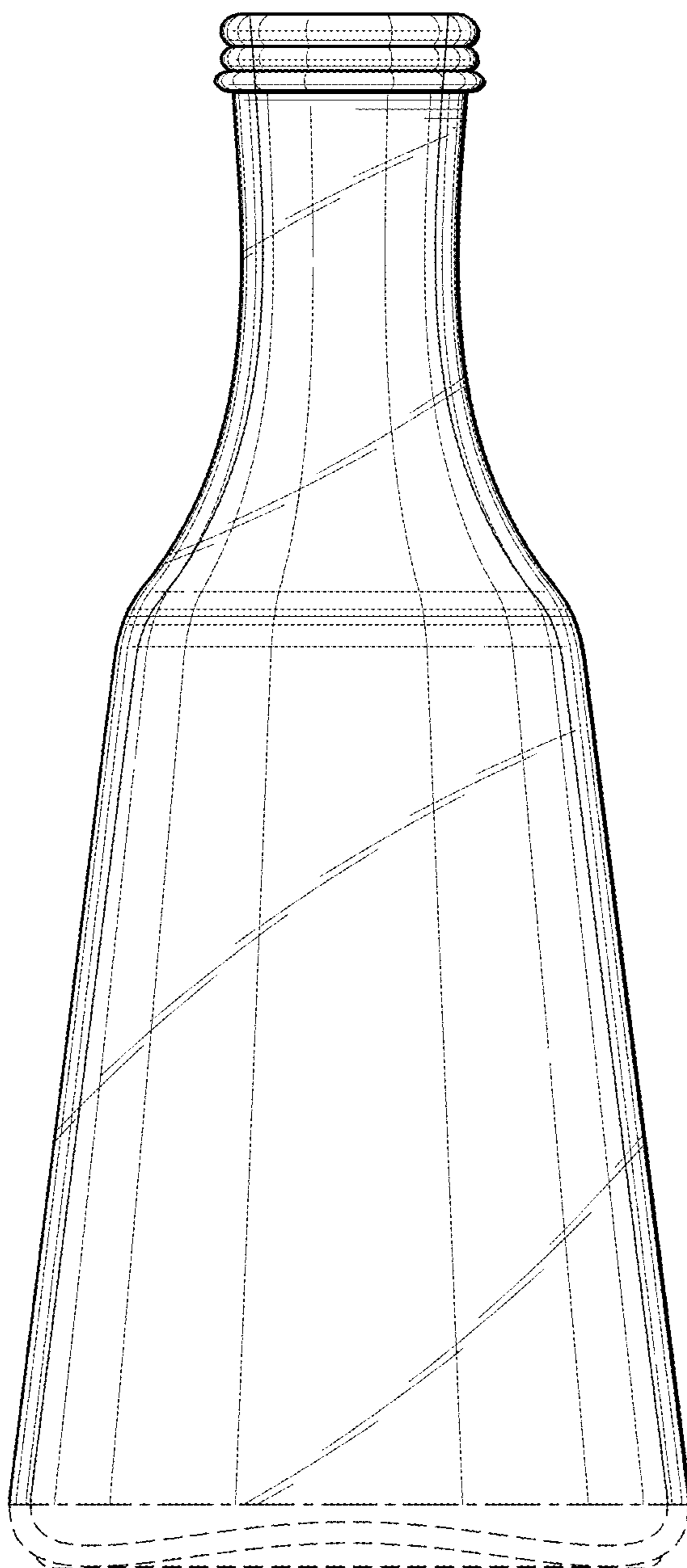


FIG. 1

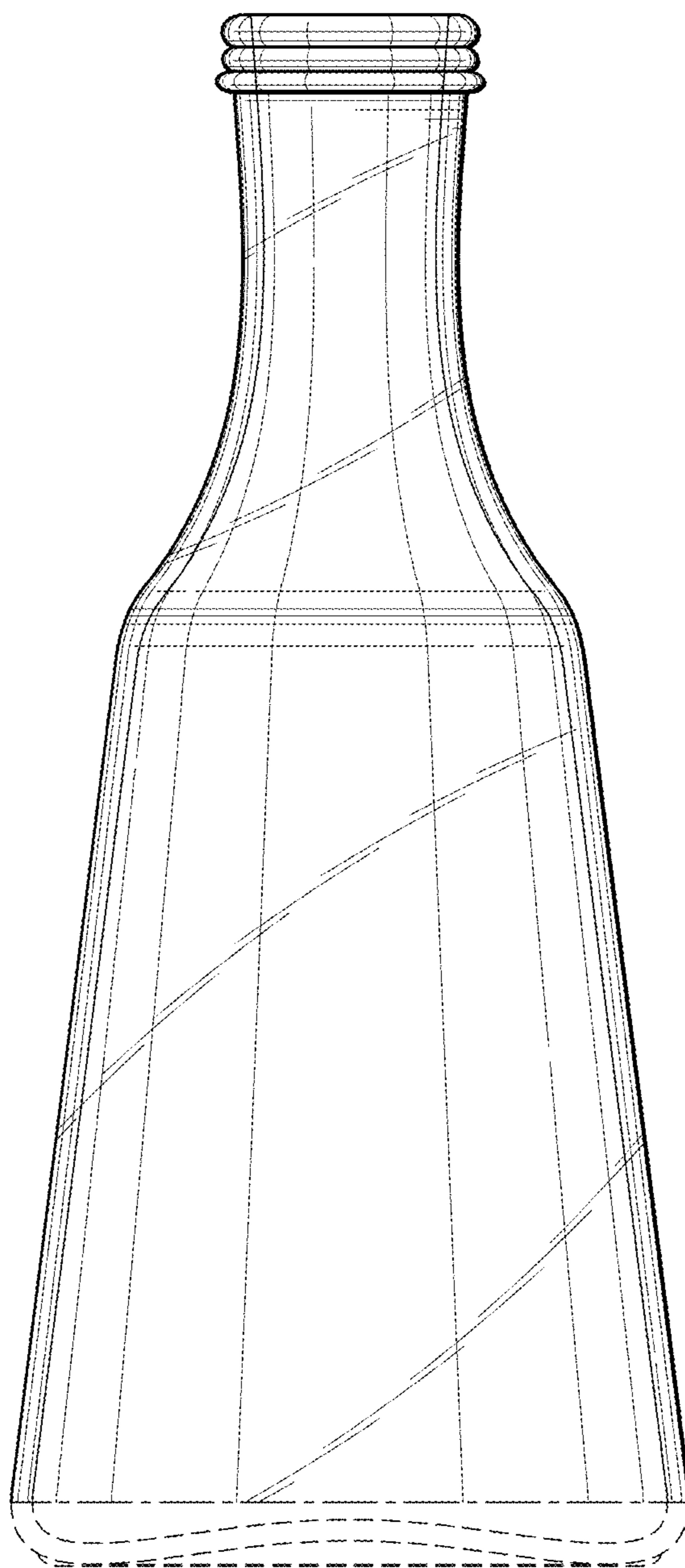


FIG. 2

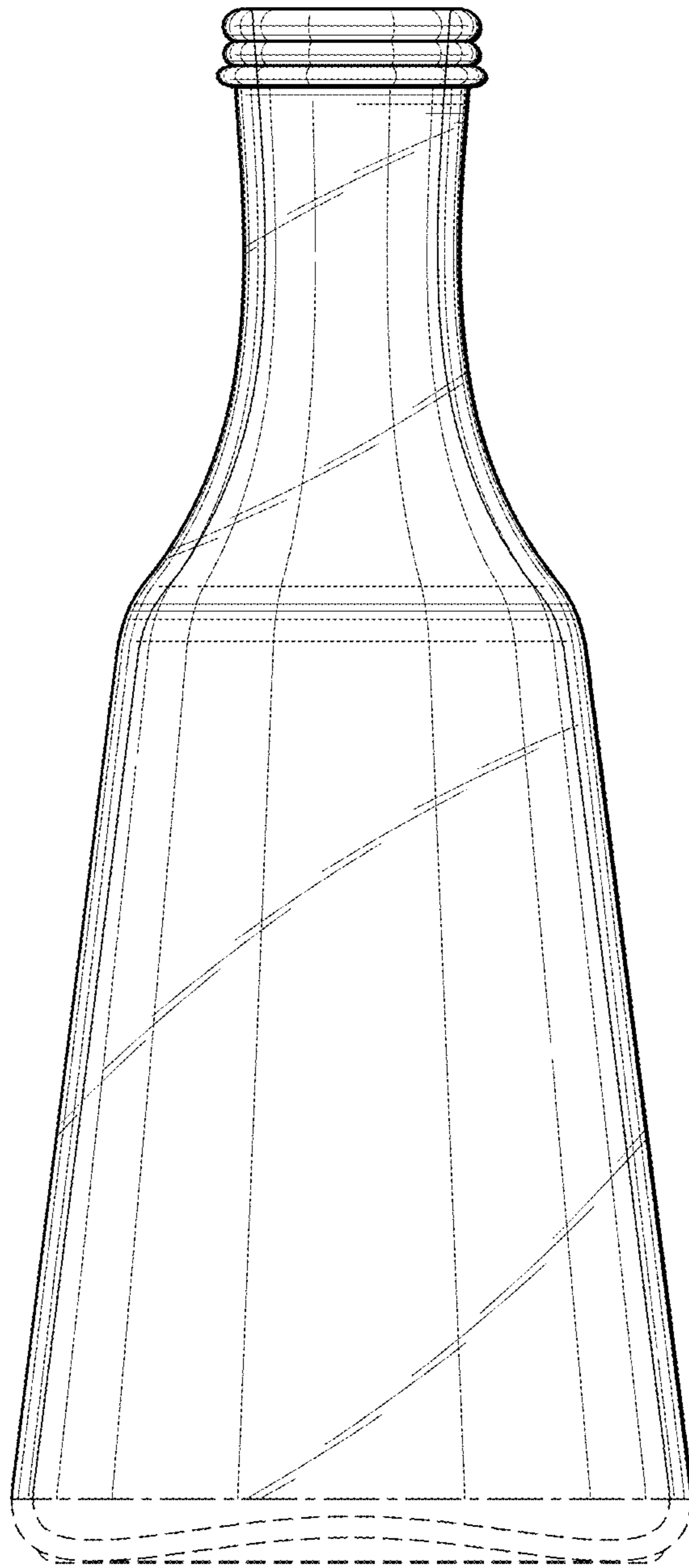


FIG. 3

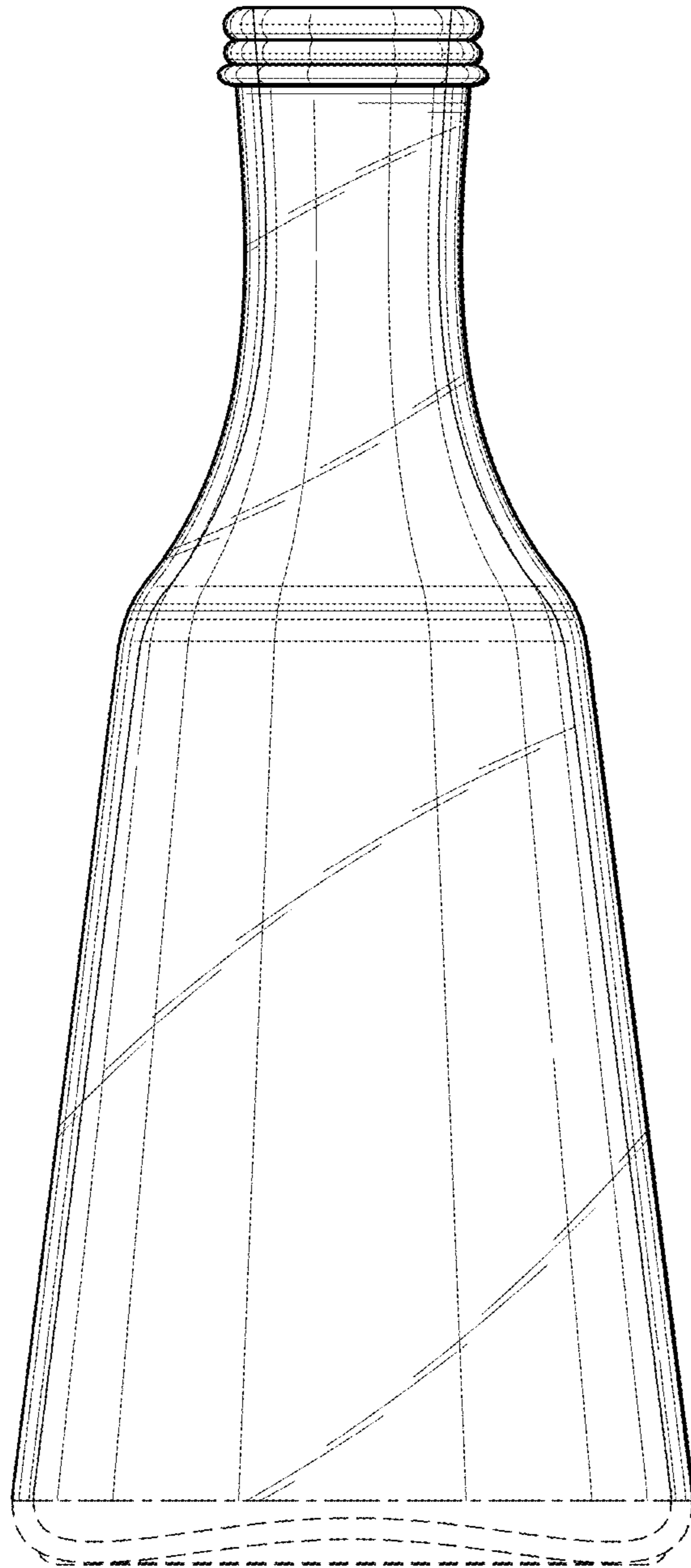


FIG. 4

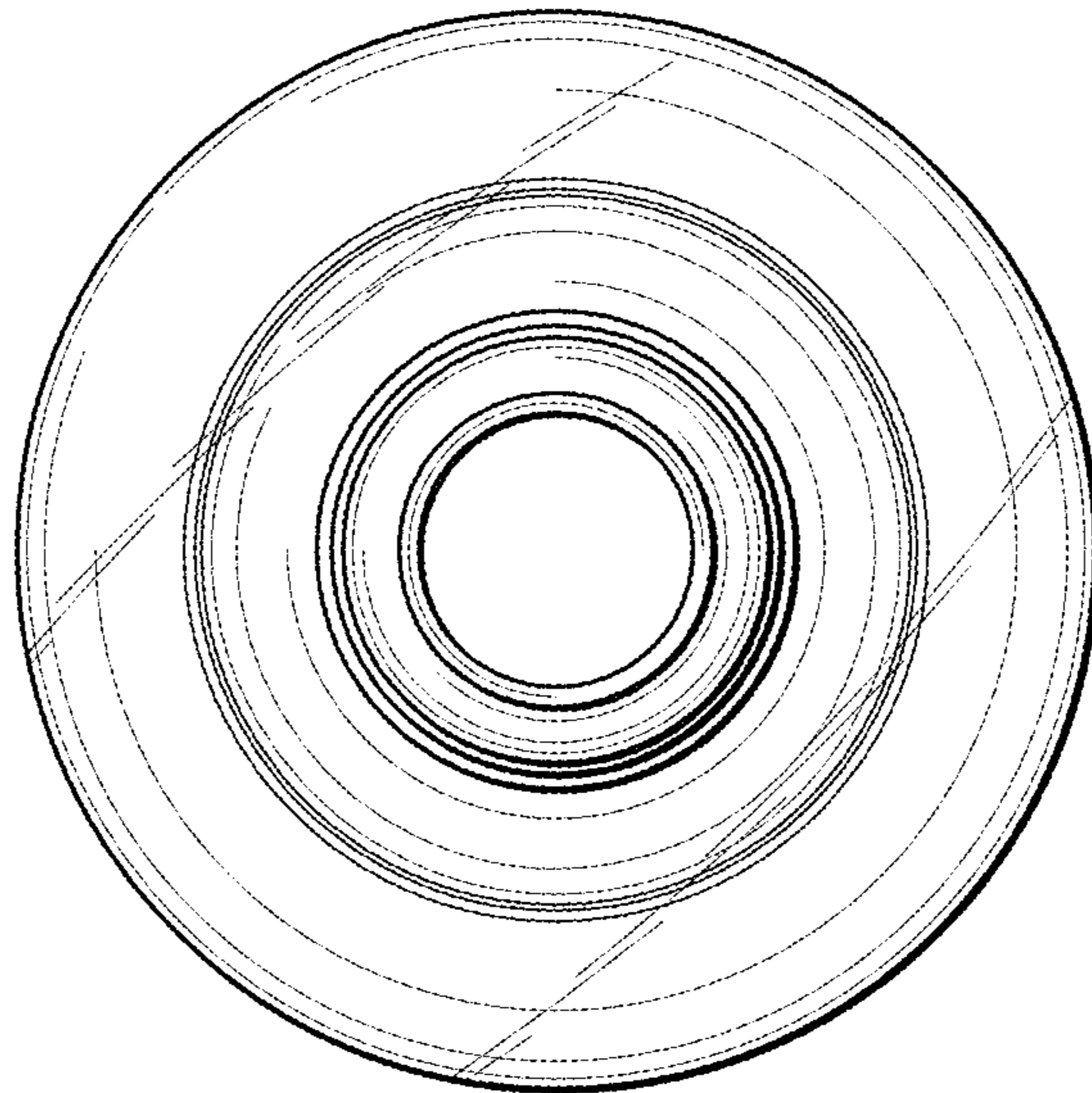


FIG.5