



US00D761652S

(12) **United States Design Patent**
Dietvorst et al.

(10) **Patent No.:** **US D761,652 S**
(45) **Date of Patent:** **** Jul. 19, 2016**

(54) **CAP**

(71) Applicant: **Reckitt Benckiser (Brands) Limited,**
Berkshire (GB)

(72) Inventors: **Taco Dietvorst,** Eindhoven (NL); **Randy Bos,** Eindhoven (NL)

(73) Assignee: **RECKITT BENCKISER (BRANDS) LIMITED,** Berkshire (GB)

(**) Term: **14 Years**

(21) Appl. No.: **29/501,866**

(22) Filed: **Sep. 9, 2014**

(30) **Foreign Application Priority Data**

Apr. 7, 2014 (EM) 002441477-0007

Apr. 7, 2014 (EM) 002441477-0008

(51) **LOC (10) Cl.** **09-07**

(52) **U.S. Cl.**
USPC **D9/449**

(58) **Field of Classification Search**

USPC D9/434-436, 438, 443-450, 452-454,
D9/499; D7/387, 392, 393, 396.2, 510,
D7/511; D3/202, 294, 318; 215/28, 41,
215/201, 216, 224, 230, 235, 237, 243, 249,
215/256, 306, 316, 317, 396; 220/252,
220/254.1, 254.2-254.4, 258.2, 263, 367.1,
220/375, 711, 724, 730, 731, 837, 847;
222/109, 153.1, 153.11, 153.14, 464.1,
222/498, 546, 547, 562, 565, 566, 570, 621
CPC A61J 1/1412; B65D 1/02; B65D 1/323;
B65D 25/40; B65D 41/56; B65D 41/62;
B65D 47/06; B65D 47/08

See application file for complete search history.

(56) **References Cited**

U.S. PATENT DOCUMENTS

6,321,923 B1 * 11/2001 Wood B65D 47/0809

16/225

D538,162 S * 3/2007 Smith D9/435

(Continued)

Primary Examiner — Karen S Acker

Assistant Examiner — Wendy Arminio

(74) *Attorney, Agent, or Firm* — Troutman Sanders LLP;
Ryan A. Schneider; Troy S. Kleckley

(57) **CLAIM**

The ornamental design for a cap, as shown and described.

DESCRIPTION

FIG. 1 is a side perspective view of a cap of the present invention in a closed configuration;

FIG. 2 is a side perspective view of the cap of FIG. 1 in an open configuration;

FIG. 3 is a side view of the cap of FIG. 1;

FIG. 4 is a side view of the cap of FIG. 2;

FIG. 5 is the other side view of the cap of FIG. 1;

FIG. 6 is the other side view of the cap of FIG. 2;

FIG. 7 is a front view of the cap of FIG. 1;

FIG. 8 is a front view of the cap of FIG. 2;

FIG. 9 is a back view of the cap of FIG. 1;

FIG. 10 is a back view of the cap of FIG. 2;

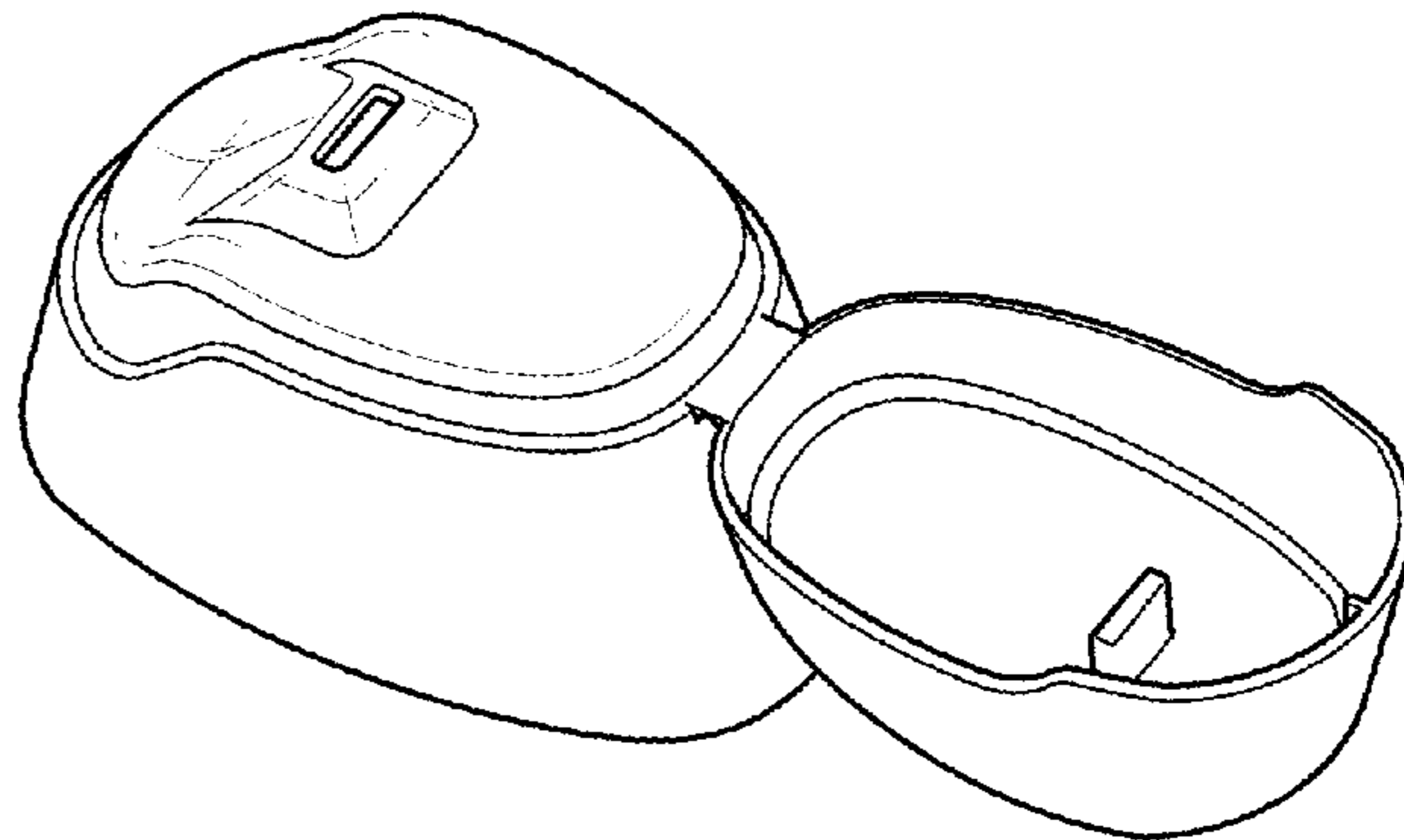
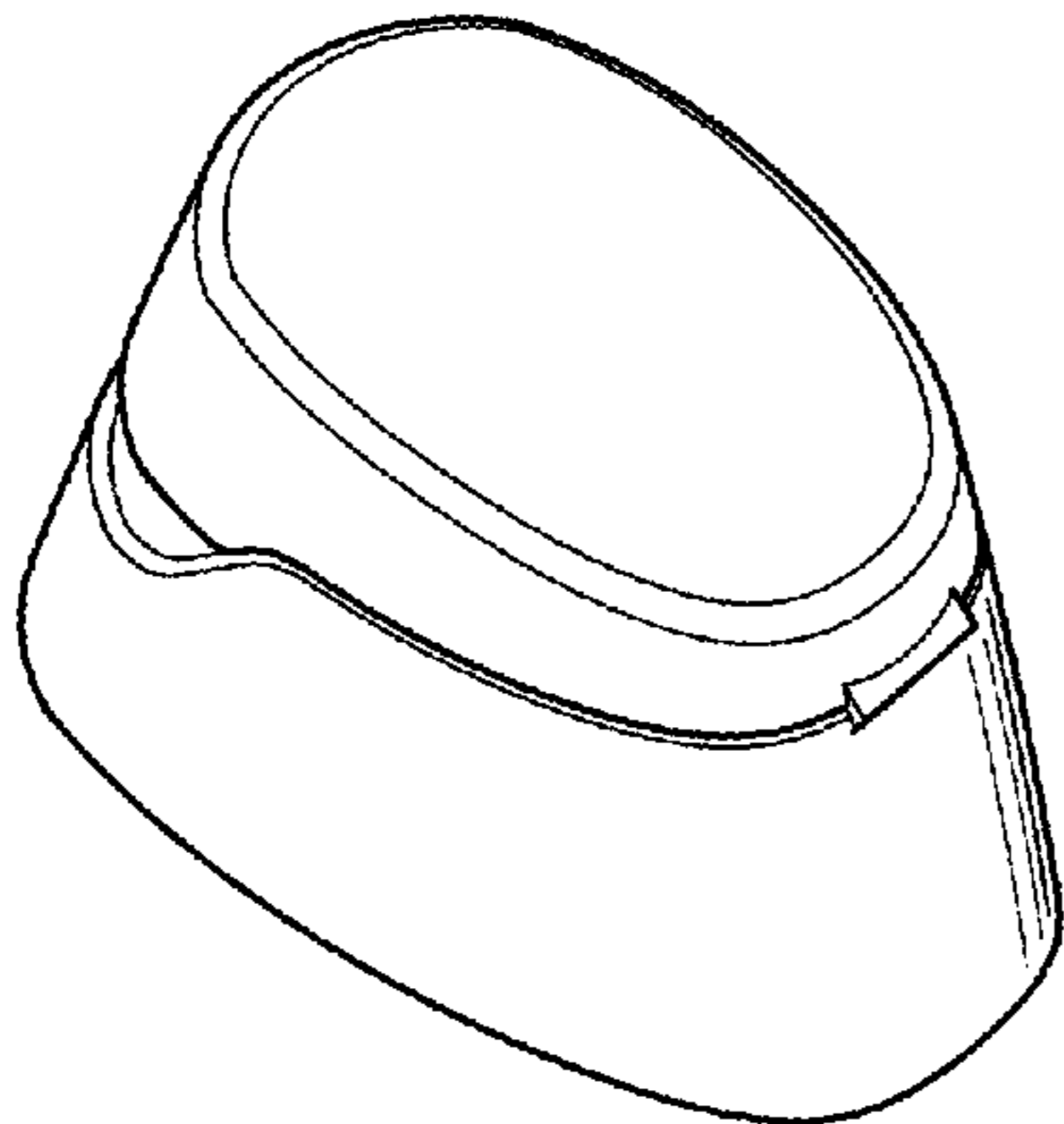
FIG. 11 is a top view of the cap of FIG. 1;

FIG. 12 is a top view of the cap of FIG. 2;

FIG. 13 is a bottom view of the cap of FIG. 1; and,

FIG. 14 is a bottom view of the cap of FIG. 2.

1 Claim, 7 Drawing Sheets



(56)

References Cited

U.S. PATENT DOCUMENTS

D576,875 S * 9/2008 Steiger D9/438
D589,796 S * 4/2009 McGeough D9/449
D605,514 S * 12/2009 Weber D9/449
D608,196 S * 1/2010 Beilke D9/449
D635,024 S * 3/2011 Stolle D9/435

D666,095 S * 8/2012 Blachford D9/449
D679,182 S * 4/2013 Papiernik D9/449
D711,231 S * 8/2014 Pun D9/449
D722,500 S * 2/2015 Stolle D9/449
2008/0078775 A1 * 4/2008 Steiger B65D 51/228
220/810
2014/0305958 A1 * 10/2014 Hill A47K 10/426
221/63

* cited by examiner

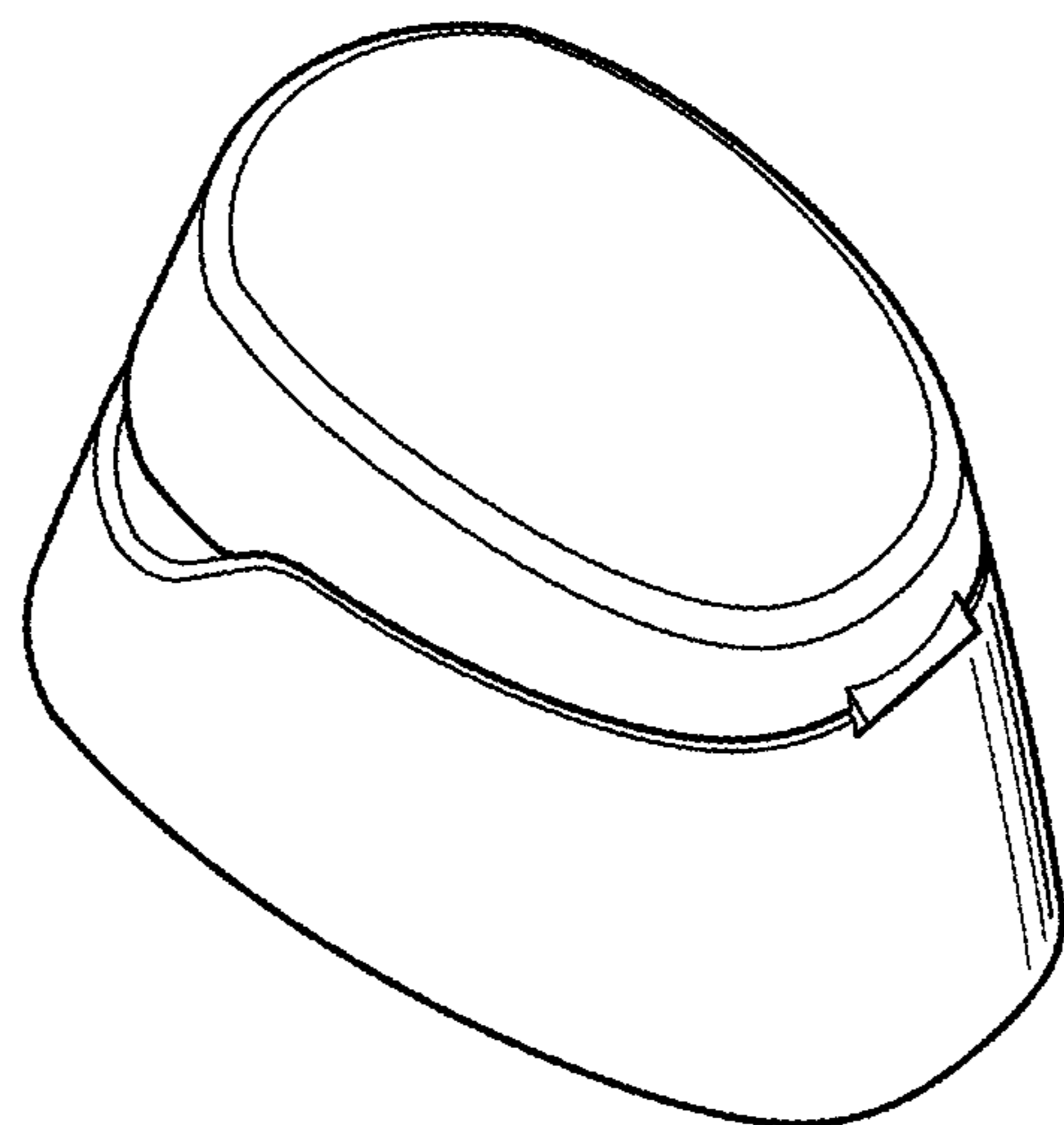


Fig. 1

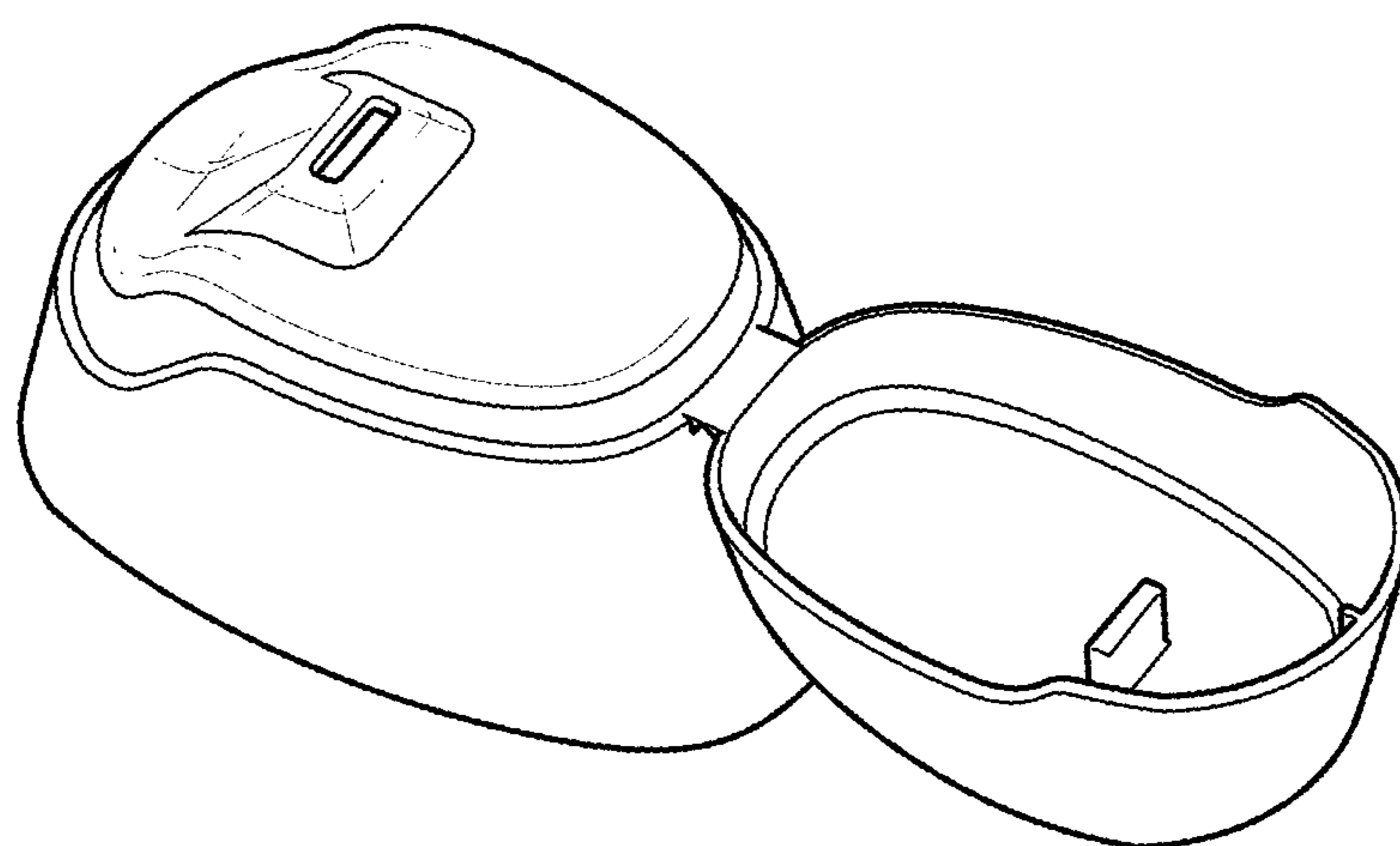


Fig. 2

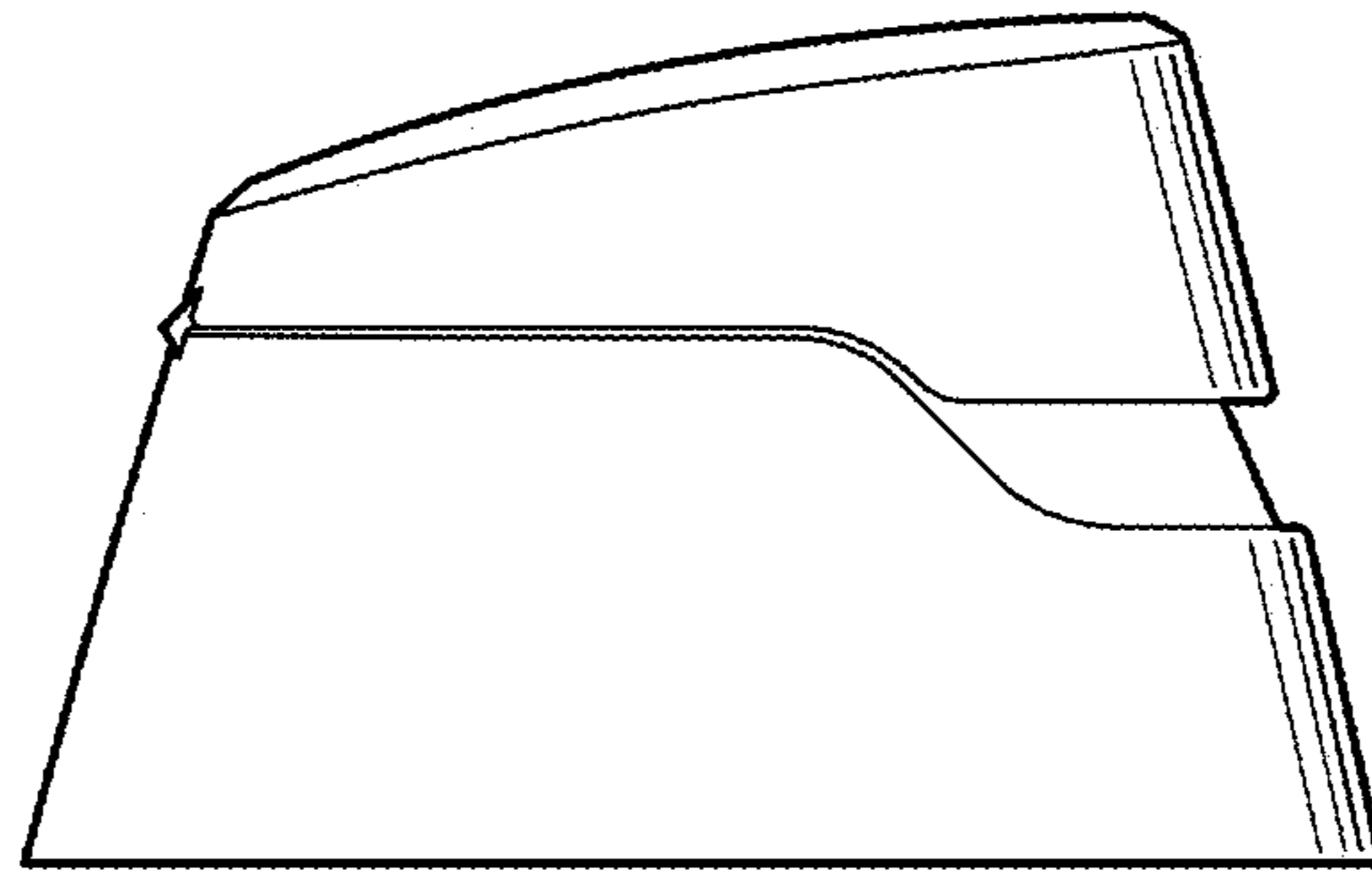


Fig. 3

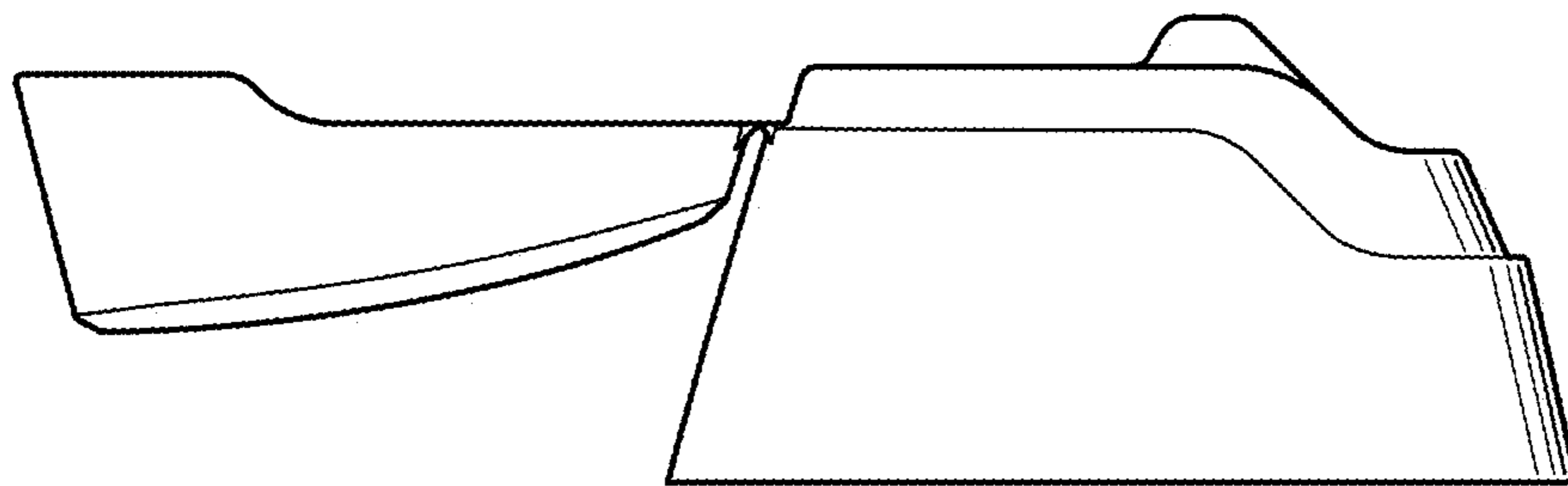


Fig. 4

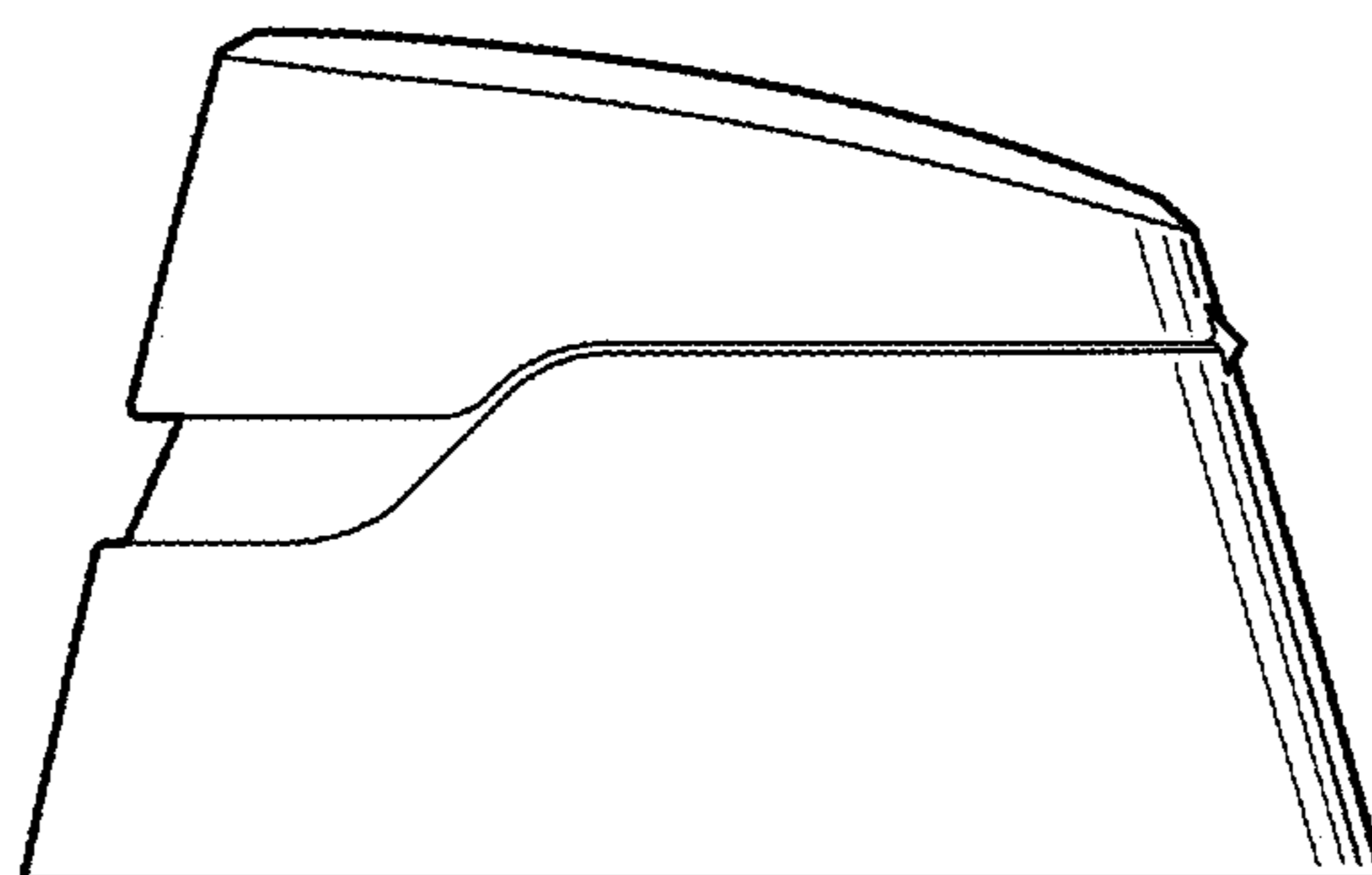


Fig. 5

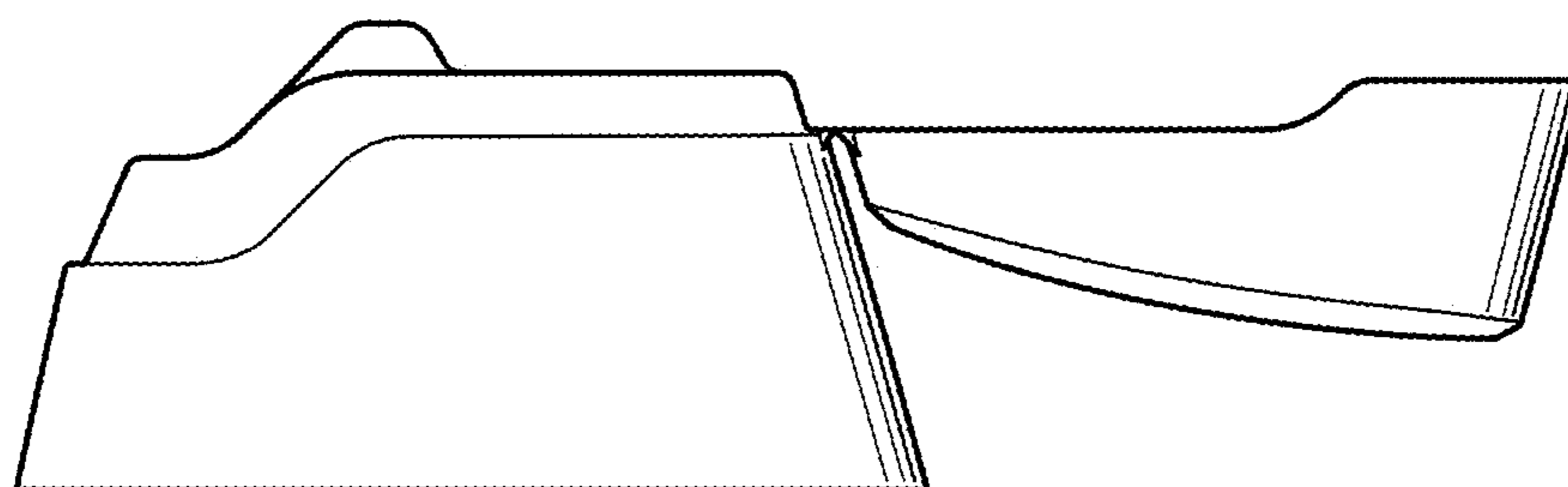


Fig. 6

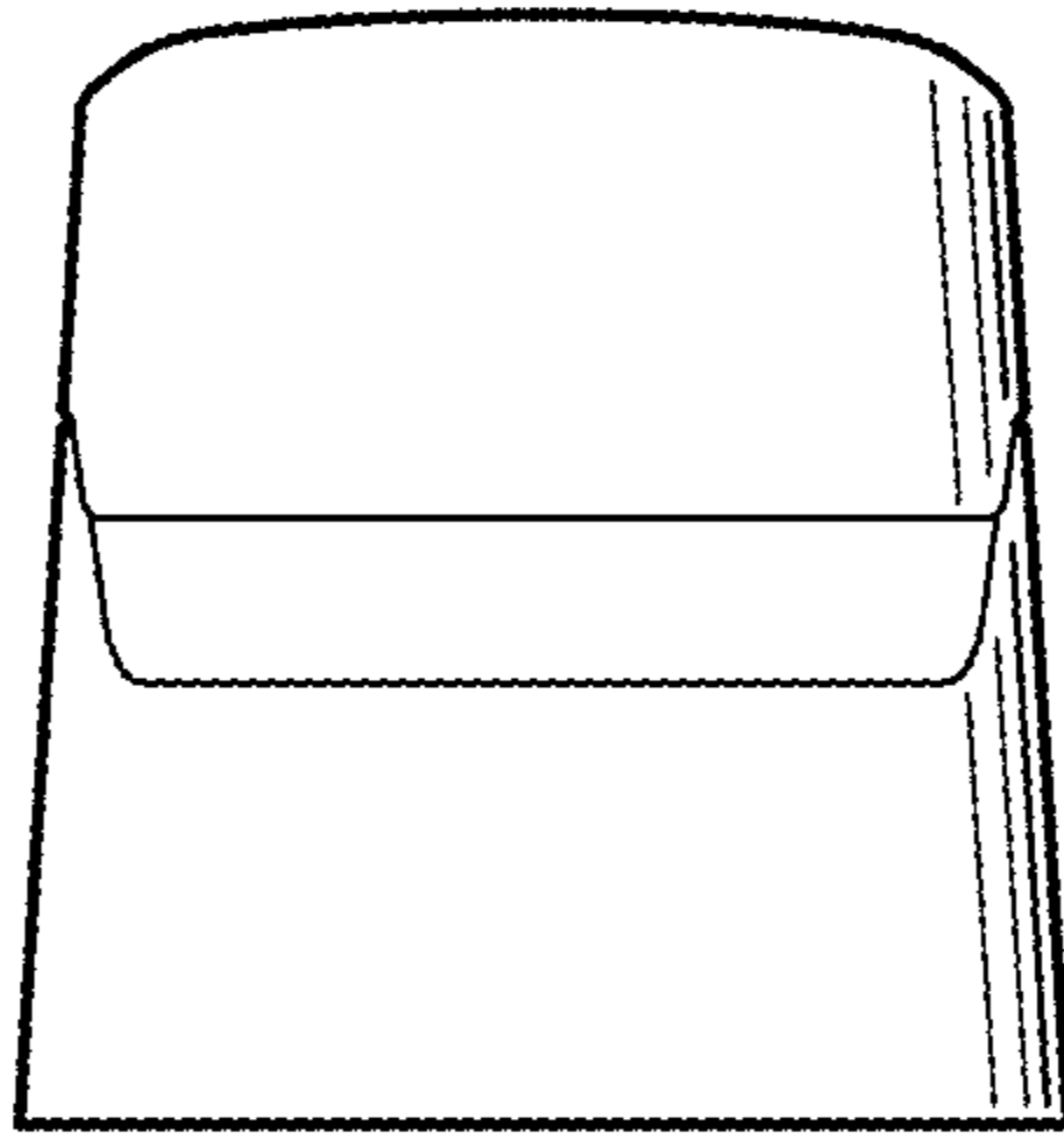


Fig. 7

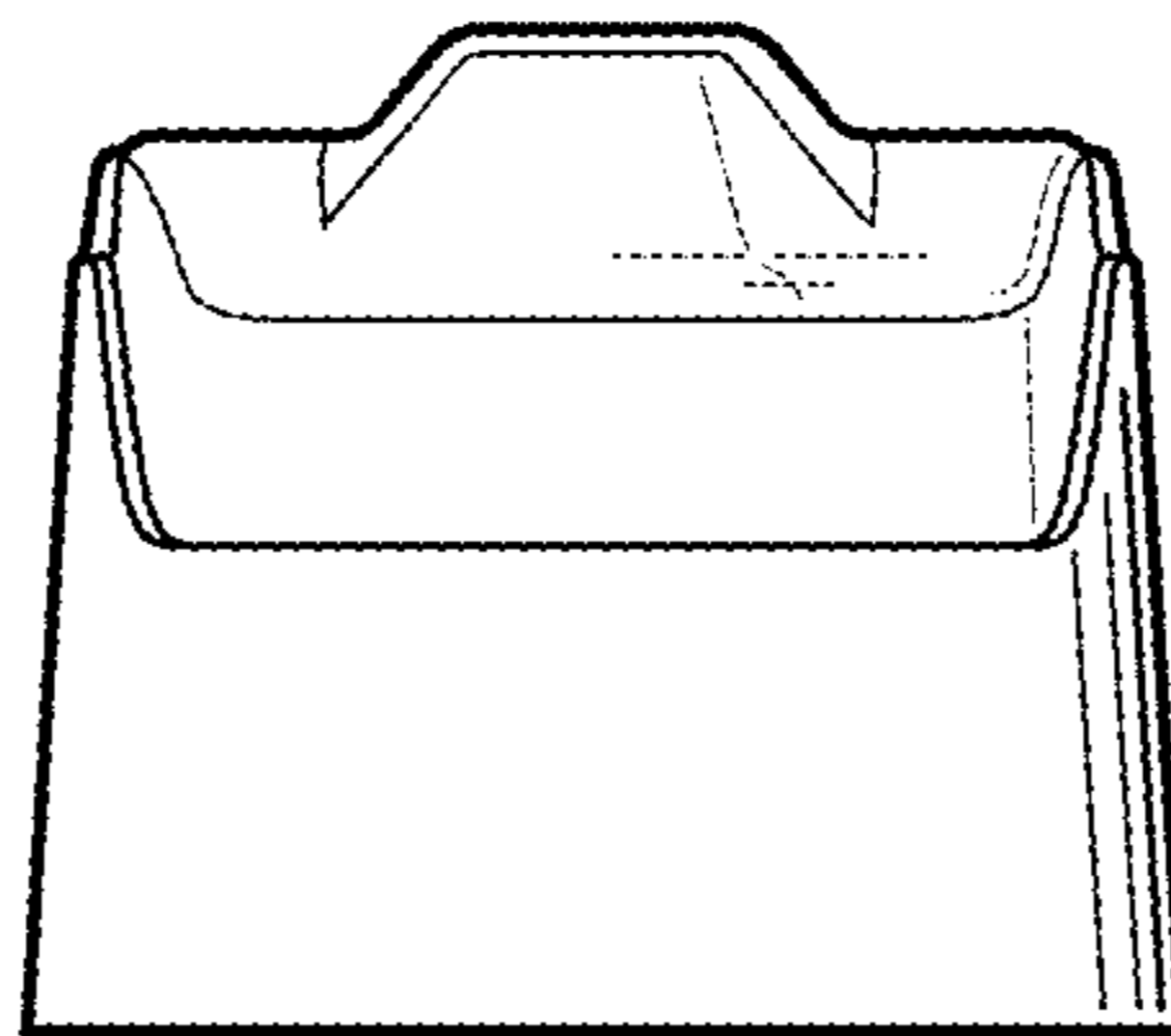


Fig. 8

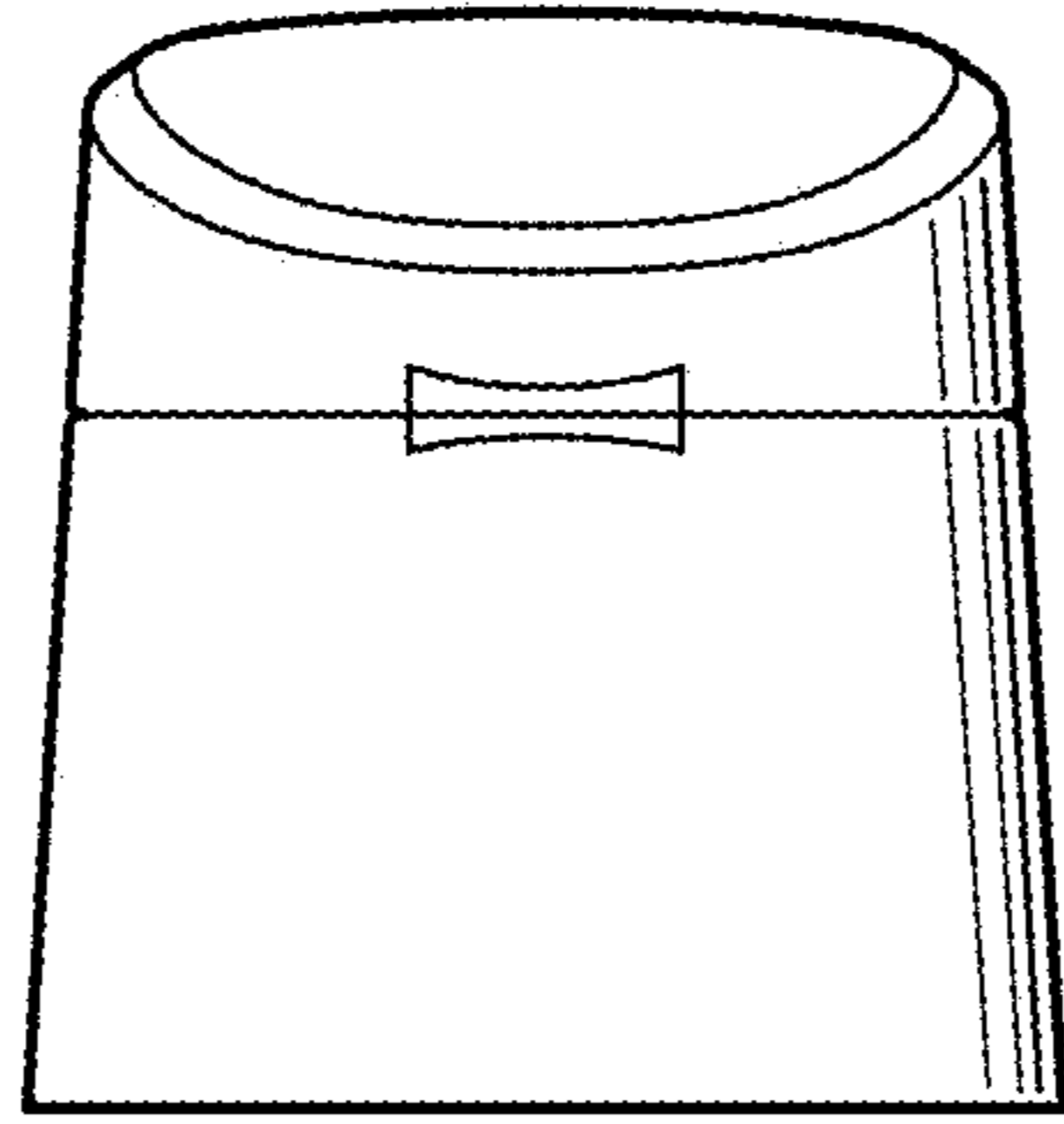


Fig. 9

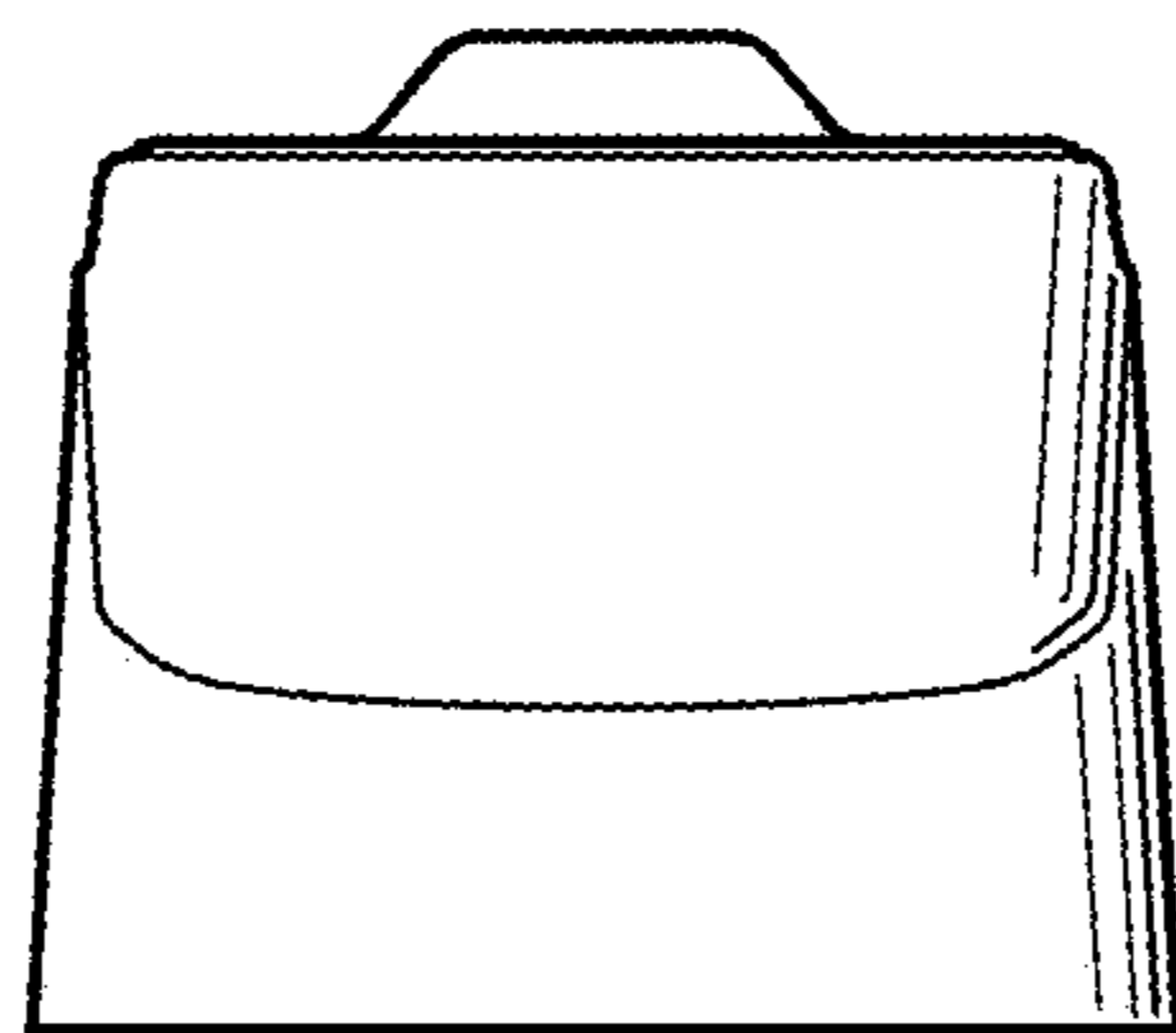


Fig. 10

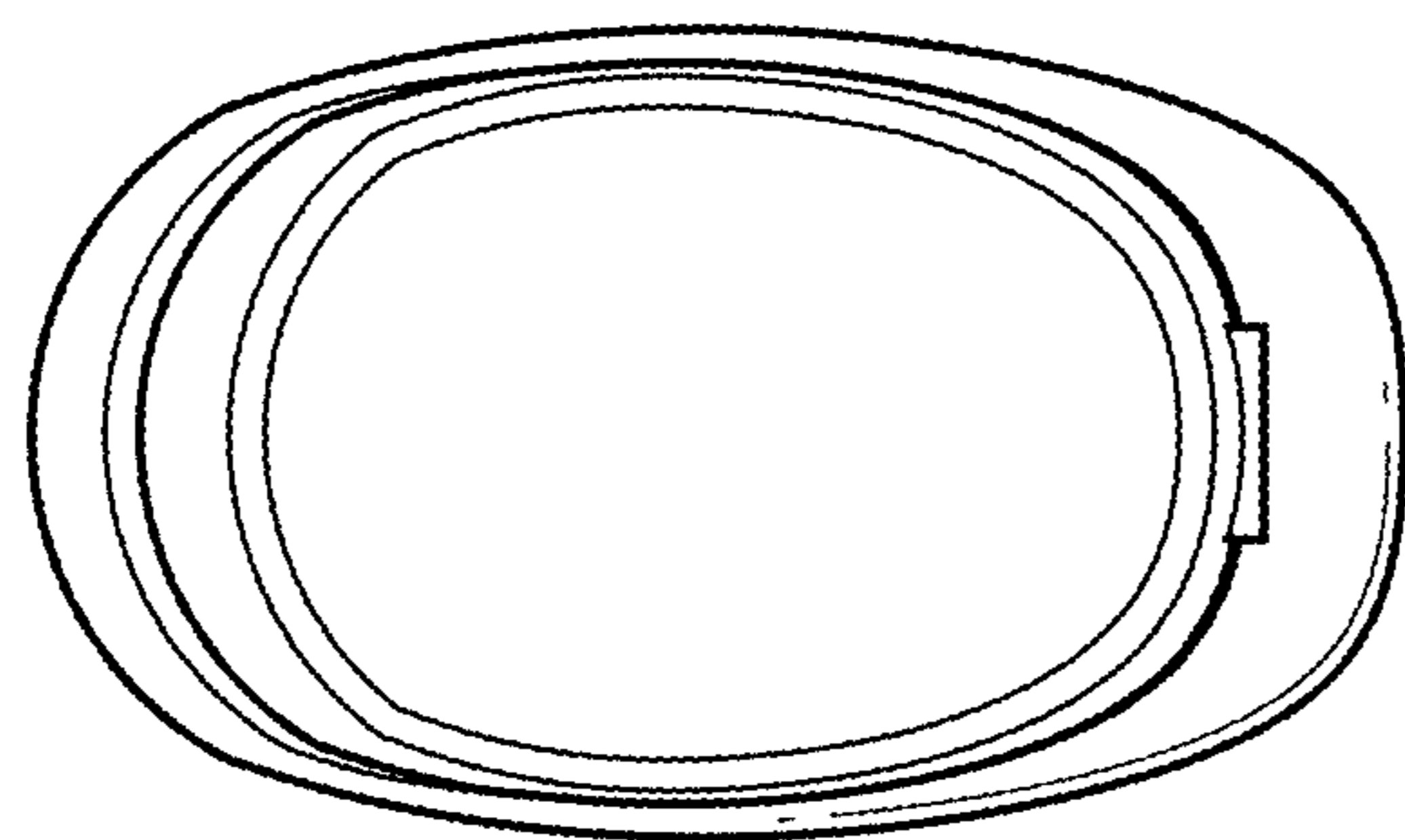


Fig. 11

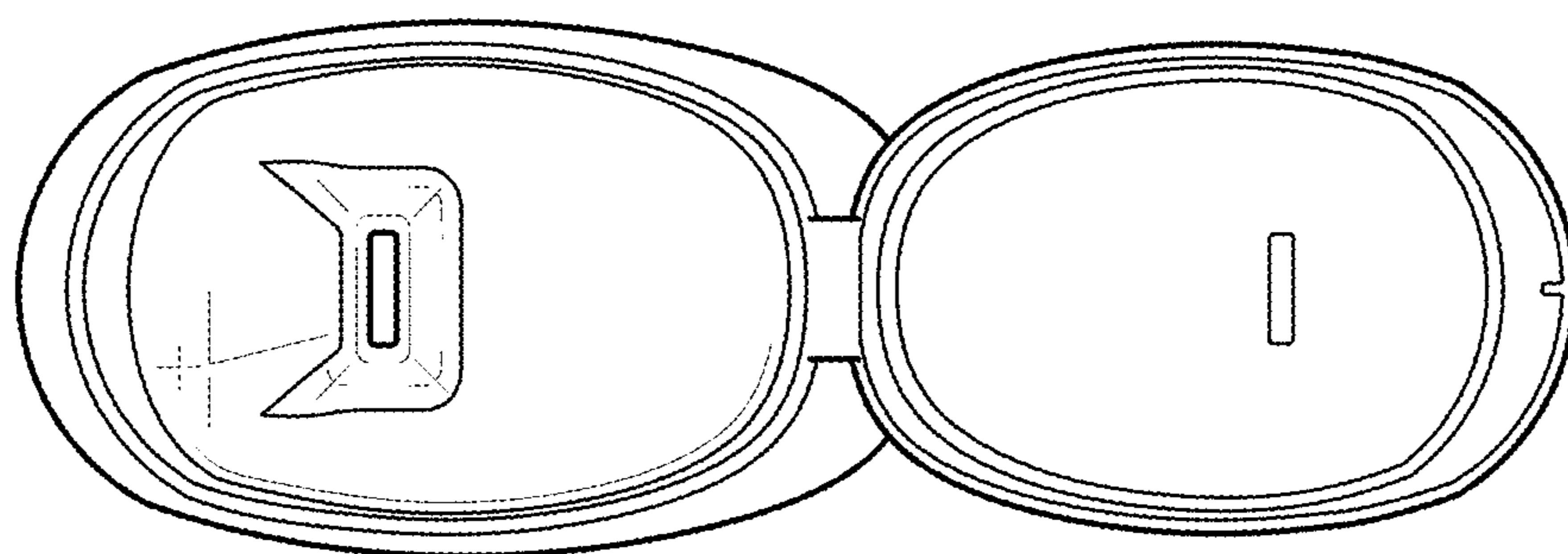


Fig. 12

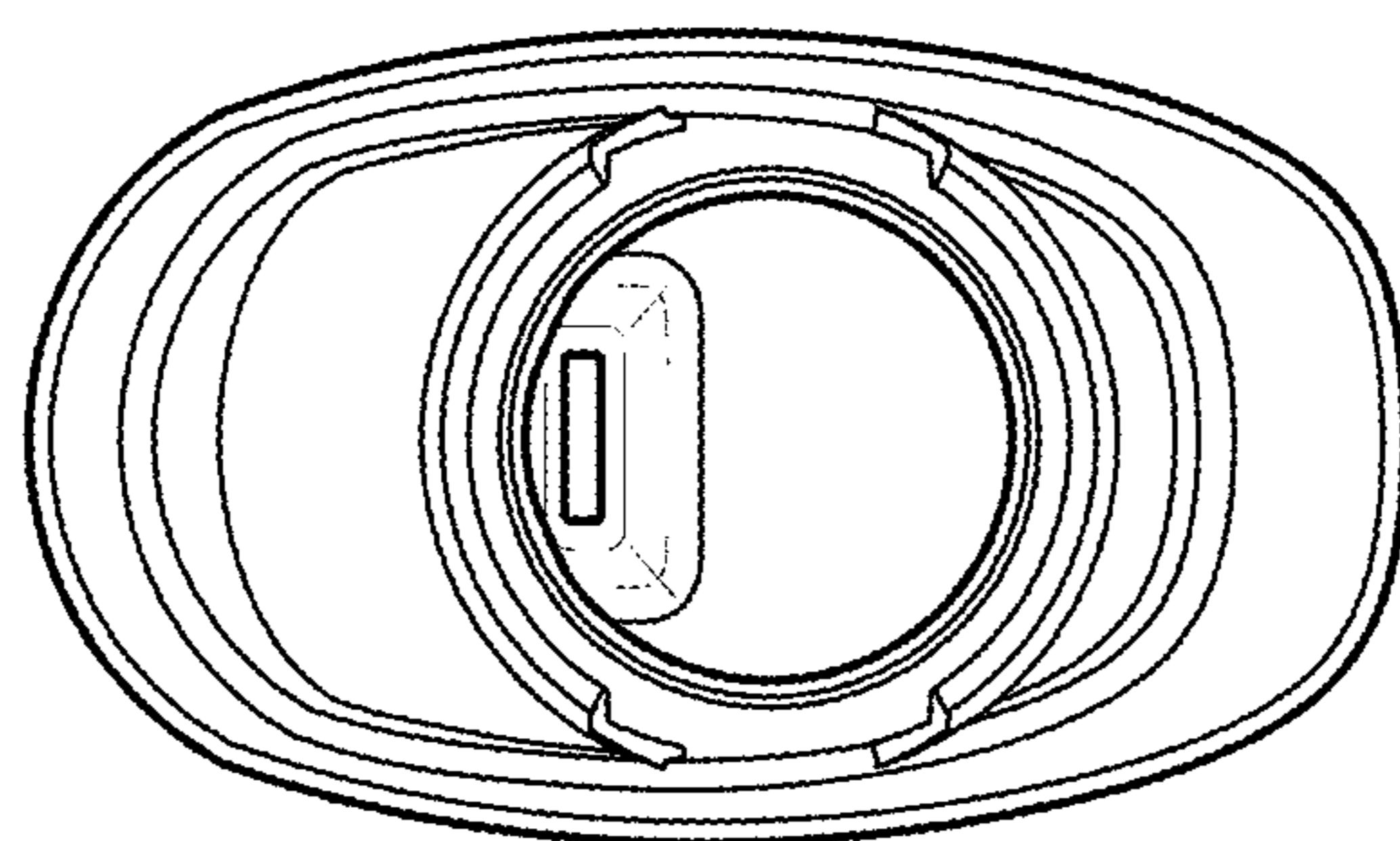


Fig. 13

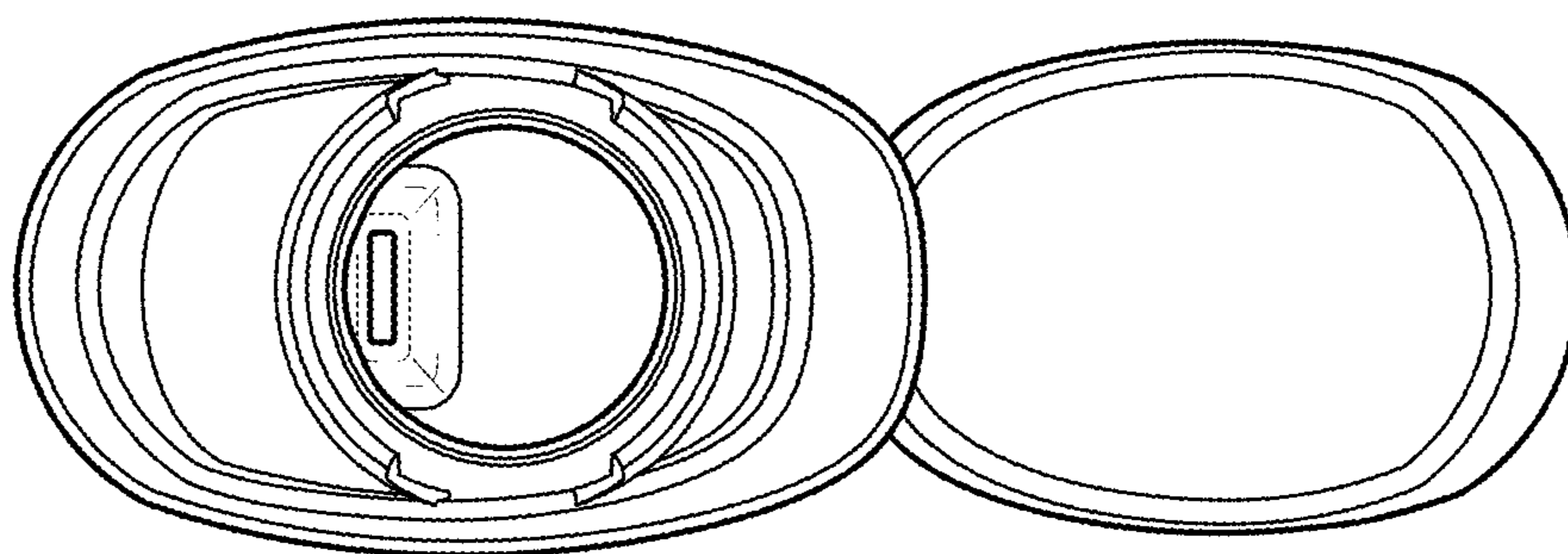


Fig. 14