

US00D761651S

(12) **United States Design Patent**
Sanfilippo et al.

(10) **Patent No.:** **US D761,651 S**
(45) **Date of Patent:** **** Jul. 19, 2016**

(54) **PACKAGE**

- (71) Applicant: **CLEAR LAM PACKAGING, INC.**,
Elk Grove Village, IL (US)
- (72) Inventors: **James J. Sanfilippo**, Barrington Hills,
IL (US); **Milorad Radenovic**, Chicago,
IL (US)
- (73) Assignee: **CLEAR LAM PACKAGING, INC.**,
Elk Grove Village, IL (US)
- (**) Term: **14 Years**
- (21) Appl. No.: **29/480,678**
- (22) Filed: **Jan. 28, 2014**
- (51) **LOC (10) Cl.** **09-07**
- (52) **U.S. Cl.**
USPC **D9/449; D9/417**
- (58) **Field of Classification Search**
USPC D11/95, 99; D5/20, 63; D9/414, 415,
D9/423, 424, 425, 432, 433, 434, 435, 759,
D9/760, 770, 417; D19/1, 27; 206/775,
206/776, 557, 823; D7/546, 549, 602,
D7/550.1, 703; 229/87.08, 123.1, 123.3,
229/221
CPC B65D 5/4204; B65D 15/08; B65D 1/34;
B65D 65/22; B65D 2577/205; B65D 5/706;
B65D 5/705; A45D 40/22
See application file for complete search history.

(56) **References Cited**

U.S. PATENT DOCUMENTS

664,316 A * 12/1900 Crump 229/123.3
2,017,176 A 10/1935 Andrews

(Continued)

FOREIGN PATENT DOCUMENTS

EP 1106508 A1 6/2001
EP 1508531 A1 2/2005

(Continued)

OTHER PUBLICATIONS

Reynolds, "Doritos Gamer Packs function on multiple levels", Pack-aging World (Nov. 14, 2013).

(Continued)

Primary Examiner — Robert M Spear

Assistant Examiner — Marissa J Cash

(74) *Attorney, Agent, or Firm* — Marshall, Gerstein & Borun LLP

(57) **CLAIM**

The ornamental design for a package, as shown and described.

DESCRIPTION

FIG. 1 is a top, front, and right-side view of a package that has the design.

FIG. 2 is a top, back, and right-side view of the package.

FIG. 3 is a bottom, back, and right-side view of the package.

FIG. 4 is a front view of the package. The back view is a mirror image of this view.

FIG. 5 is a right-side view of the package, with the open lid being visible. Apart from the details on the inside of the lid, the left-side view is a mirror image of this view.

FIG. 6 is top view of the package.

FIG. 7 is a top, front, and right-side view of the design in an alternate environment of use.

FIG. 8 is a top, back, and right-side view of the package.

FIG. 9 is a bottom, back, and right-side view of the package.

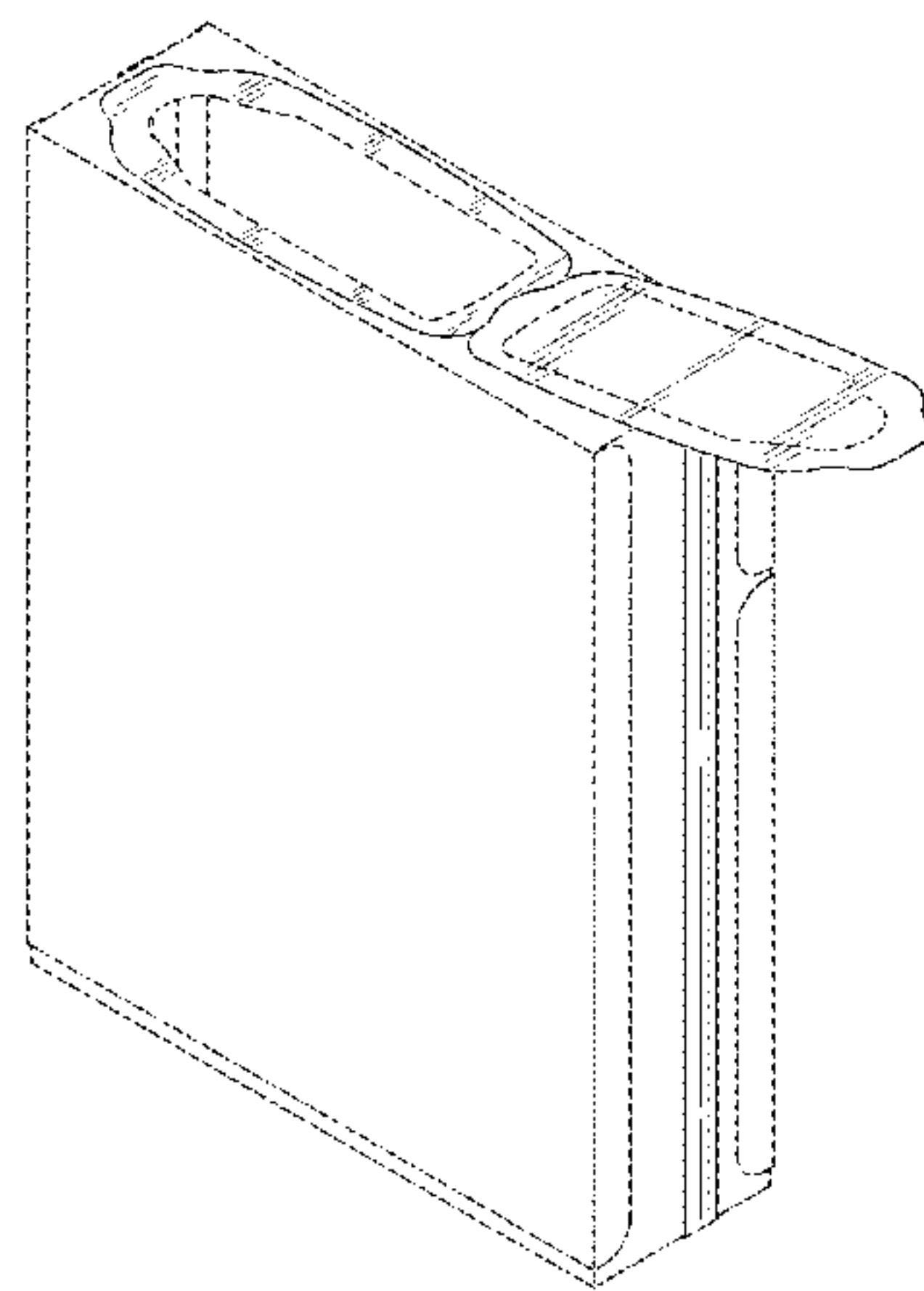
FIG. 10 is a front view of the package. The back view is a mirror image of this view.

FIG. 11 is a right-side view of the package, with the open lid being visible. Apart from the details on the inside of the lid, the left-side view is a mirror image of this view; and,

FIG. 12 is top view of the package.

The broken lines show elements of the package that form no part of the claimed design.

1 Claim, 12 Drawing Sheets



(56)

References Cited

U.S. PATENT DOCUMENTS

2,041,227 A	5/1936	Chalmers	D332,399 S	1/1993	Neff
2,048,122 A	7/1936	Howard	5,195,829 A	3/1993	Watkins et al.
2,092,858 A	9/1937	Richard	5,205,651 A	4/1993	Decottignies et al.
2,180,841 A	11/1939	Vogt	5,254,073 A	10/1993	Richison et al.
2,328,579 A	9/1943	Pelosi	D351,090 S	10/1994	Narsutis
2,339,156 A	1/1944	Duane	5,353,946 A	10/1994	Behrend
2,352,766 A	7/1944	Bogue	5,356,069 A	10/1994	Bochet et al.
2,385,898 A	10/1945	Waters	5,366,104 A	11/1994	Armstrong
2,416,332 A	2/1947	Lehman	D354,436 S	1/1995	Krupa
2,508,962 A	5/1950	Moore	D364,563 S	11/1995	Miller et al.
2,524,766 A	10/1950	Carroll	5,498,080 A	3/1996	Dalea et al.
2,619,226 A	11/1952	Adams	5,505,305 A	4/1996	Scholz et al.
2,719,663 A *	10/1955	Meyer-Jagenberg 229/123.3	5,542,902 A	8/1996	Richison et al.
2,750,093 A	6/1956	Moore	5,556,026 A	9/1996	Blankitny
2,758,775 A	8/1956	Moore	D374,774 S	10/1996	Cassel
2,819,831 A	1/1958	Polarek et al.	5,577,612 A	11/1996	Chesson et al.
2,936,940 A	5/1960	Berghgracht	5,611,452 A	3/1997	Bonora et al.
2,970,735 A	2/1961	Jacke	5,613,608 A	3/1997	Tronchetti et al.
3,006,257 A	10/1961	Orsini	5,655,706 A	8/1997	Vandiver
3,127,082 A	3/1964	Meyer-Jagenberg	D386,001 S	11/1997	Saffran
3,228,584 A	1/1966	Ashton	5,704,480 A	1/1998	Scholz et al.
3,259,303 A	7/1966	Repko	D394,606 S	5/1998	Zorn et al.
3,314,591 A	4/1967	Cheeley	5,770,839 A	6/1998	Ruebush et al.
3,349,959 A	10/1967	Watkins	5,772,332 A	6/1998	Geller
3,373,917 A	3/1968	Cox	D395,952 S	7/1998	Buczynski et al.
3,380,646 A	4/1968	Doyen et al.	5,785,179 A	7/1998	Buczynski et al.
3,426,499 A	2/1969	Paige	5,788,121 A	8/1998	Sasaki et al.
3,434,652 A	3/1969	Shore	5,788,378 A	8/1998	Thomas
3,437,258 A	4/1969	Kugler	5,791,465 A	8/1998	Niki et al.
3,462,067 A	8/1969	Shore	D398,526 S	9/1998	Schwarz et al.
3,505,779 A	4/1970	Kopp	D398,844 S	9/1998	Oberloier
3,562,392 A	2/1971	Mylus	5,799,863 A	9/1998	Capy et al.
3,604,491 A	9/1971	Spiess	5,826,401 A	10/1998	Bois
3,738,567 A	6/1973	Ruda	5,842,790 A	12/1998	Imer
3,739,977 A	6/1973	Shapiro et al.	5,862,652 A	1/1999	Schoeler
3,785,112 A	1/1974	Leasure et al.	D409,484 S	5/1999	Tasker
3,917,158 A	11/1975	Dorofachuk et al.	D412,439 S	8/1999	Cormack
3,935,993 A	2/1976	Doyen et al.	6,005,234 A	12/1999	Moseley et al.
3,940,054 A	2/1976	Goebel et al.	6,021,624 A	2/2000	Richison et al.
3,968,921 A	7/1976	Jewell	6,026,953 A	2/2000	Nakamura et al.
3,980,225 A	9/1976	Kan	D421,901 S	3/2000	Hill
4,041,851 A	8/1977	Jentsch	D421,902 S	3/2000	Hill
4,101,051 A	7/1978	Reil	6,036,365 A	3/2000	Imer
4,129,976 A	12/1978	Grundler et al.	D427,056 S	6/2000	Irace et al.
4,197,949 A	4/1980	Carlsson	6,113,271 A	9/2000	Scott et al.
4,308,679 A	1/1982	Ray, III et al.	6,120,183 A	9/2000	Buchanan et al.
D265,777 S	8/1982	Elzea et al.	D431,464 S	10/2000	Collins et al.
4,345,393 A	8/1982	Price et al.	6,137,098 A	10/2000	Moseley et al.
D266,049 S	9/1982	Conti	6,149,304 A	11/2000	Hamilton et al.
4,353,497 A	10/1982	Bustin	D437,686 S	2/2001	Balzar et al.
D269,326 S *	6/1983	Linner D9/433	6,182,887 B1	2/2001	Ljunstrom et al.
4,512,476 A	4/1985	Herrington, Jr.	6,229,061 B1	5/2001	Dragoo et al.
4,531,668 A	7/1985	Forbes, Jr.	6,231,237 B1	5/2001	Geller
4,576,309 A	3/1986	Tzifkansky et al.	6,261,215 B1	7/2001	Imer
D285,777 S	9/1986	Forbes, Jr.	D446,014 S	8/2001	Adkins
D286,745 S	11/1986	Forbes, Jr.	6,273,610 B1	8/2001	Koyama et al.
4,673,126 A *	6/1987	Hambleton 229/123.1	6,274,181 B1	8/2001	Richison et al.
4,687,104 A	8/1987	Ielmini	D450,960 S	11/2001	Boyea et al.
4,738,365 A	4/1988	Prater	D452,374 S	12/2001	Kim
4,746,019 A	5/1988	Prater	6,325,239 B2	12/2001	Randall et al.
D297,214 S	8/1988	Forbes, Jr.	6,423,356 B2	7/2002	Richison et al.
4,790,436 A	12/1988	Nakamura	D461,403 S	8/2002	Chomik et al.
4,798,295 A	1/1989	Rausing	D463,276 S	9/2002	Piscopo et al.
4,837,849 A	6/1989	Erickson et al.	6,446,796 B1	9/2002	Schmidt
4,848,575 A	7/1989	Nakamura et al.	D464,884 S	10/2002	Sumpmann et al.
4,851,246 A	7/1989	Maxwell et al.	D464,894 S	10/2002	Mittersinker et al.
D304,016 S	10/1989	Forbes, Jr.	6,481,183 B1	11/2002	Schmidt
4,911,305 A *	3/1990	Chung et al. 229/221	D466,807 S	12/2002	Buck et al.
D309,107 S *	7/1990	Winterling D9/433	6,510,673 B1	1/2003	Visona' et al.
D315,099 S	3/1991	Alizard	6,513,308 B1	2/2003	Meeuwesen et al.
5,036,997 A	8/1991	May et al.	D471,804 S	3/2003	Staples
5,044,777 A	9/1991	Watkins et al.	D473,461 S	4/2003	Joubert
5,059,036 A	10/1991	Richison et al.	6,615,567 B2	9/2003	Kuhn et al.
5,065,887 A	11/1991	Schuh et al.	6,659,645 B1	12/2003	Schulz
5,158,371 A	10/1992	Moravek	D485,461 S	1/2004	Sams et al.
			6,679,034 B2	1/2004	Kohl et al.
			6,695,757 B2	2/2004	Edwards et al.
			D487,192 S	3/2004	Farnham et al.
			D489,530 S	5/2004	Lindsay

(56)

References Cited

U.S. PATENT DOCUMENTS

6,729,112 B2 5/2004 Kuss et al.
 6,736,309 B1 5/2004 Westerman et al.
 6,746,388 B2 6/2004 Edwards et al.
 6,761,279 B1 7/2004 Martin et al.
 6,783,277 B2 8/2004 Edwards et al.
 6,817,160 B2 11/2004 Schmidt
 D501,134 S 1/2005 Takahashi et al.
 6,845,602 B2 1/2005 Drut
 D502,095 S 2/2005 Tucker et al.
 D503,336 S 3/2005 Tucker et al.
 D504,622 S 5/2005 Takahashi et al.
 6,918,532 B2 7/2005 Sierra-Gomez et al.
 6,953,069 B2 10/2005 Galomb
 D513,870 S 1/2006 Rosine et al.
 D514,439 S 2/2006 Snedden et al.
 D528,010 S 9/2006 Yashima et al.
 D531,894 S 11/2006 Ramirez et al.
 7,153,026 B2 12/2006 Galomb
 7,156,556 B2 1/2007 Takahashi et al.
 D536,608 S 2/2007 Arkins
 7,213,710 B2 5/2007 Cotert
 D544,762 S 6/2007 Zimmerman
 D545,186 S 6/2007 Liebe et al.
 D548,080 S 8/2007 Brown et al.
 D551,508 S 9/2007 Friedland et al.
 D552,468 S 10/2007 Seum et al.
 7,299,608 B2 11/2007 Kohl et al.
 D563,219 S * 3/2008 Okin et al. D9/423
 D569,719 S 5/2008 Ross
 D571,146 S 6/2008 Sanfilippo et al.
 D571,197 S 6/2008 Sanfilippo et al.
 D591,555 S 5/2009 Sanfilippo et al.
 D593,369 S 6/2009 Green et al.
 D608,193 S 1/2010 Sanfilippo et al.
 7,665,629 B2 2/2010 Julius et al.
 7,665,895 B2 2/2010 Takita et al.
 7,780,006 B2 8/2010 Clark, Jr. et al.
 D629,296 S 12/2010 De Muynck
 D637,577 S 5/2011 Han et al.
 7,993,256 B2 8/2011 Takita et al.
 8,006,833 B2 8/2011 Clark, Jr. et al.
 8,038,349 B2 10/2011 Andersson et al.
 D648,302 S 11/2011 Park et al.
 8,066,137 B2 11/2011 Sanfilippo et al.
 8,132,395 B2 3/2012 Gehring et al.
 8,231,024 B2 7/2012 Sanfilippo et al.
 D668,949 S * 10/2012 Hipperson et al. D9/423
 8,276,353 B2 10/2012 Reaves et al.
 8,308,363 B2 11/2012 Vogt et al.
 D676,014 S 2/2013 Chung
 D682,244 S 5/2013 Park et al.
 D686,181 S 7/2013 Jeong
 D689,767 S 9/2013 Clark et al.
 D696,107 S 12/2013 Kimple et al.
 8,602,242 B2 12/2013 Sanfilippo et al.

8,602,244 B2 12/2013 Sanfilippo et al.
 D714,638 S * 10/2014 Mohn et al. D9/432
 D719,462 S * 12/2014 Kanda D9/667
 D721,575 S * 1/2015 Paboojian D9/423
 2001/0005979 A1 7/2001 Kuss et al.
 2001/0040107 A1 11/2001 Tourre et al.
 2002/0094922 A1 7/2002 Edwards et al.
 2003/0041564 A1 3/2003 Schmidt
 2003/0059130 A1 3/2003 Yoneyama et al.
 2003/0085265 A1 * 5/2003 Haim 229/123.1
 2003/0100424 A1 5/2003 Barmore et al.
 2003/0111523 A1 6/2003 Haugan
 2003/0230504 A1 12/2003 Hamming
 2004/0089578 A1 5/2004 Lin
 2004/0099570 A1 5/2004 Cargile
 2004/0185156 A1 9/2004 Garwood
 2004/0188457 A1 9/2004 Galomb
 2004/0226625 A1 11/2004 Galomb
 2004/0232029 A1 11/2004 Cotert
 2004/0251163 A1 12/2004 Conde et al.
 2005/0011906 A1 1/2005 Buck et al.
 2005/0053315 A1 3/2005 Aasen
 2005/0069230 A1 3/2005 Takahashi et al.
 2005/0109827 A1 5/2005 Martin
 2005/0150785 A1 7/2005 Julius et al.
 2005/0189367 A1 9/2005 Chasid et al.
 2005/0208188 A1 9/2005 Garwood
 2005/0276525 A1 12/2005 Hebert et al.
 2006/0076352 A1 4/2006 Peterson et al.
 2006/0283750 A1 12/2006 Villars et al.
 2007/0151887 A1 7/2007 Clark et al.
 2009/0039078 A1 2/2009 Sanfilippo et al.
 2009/0120828 A1 5/2009 Sanfilippo et al.
 2009/0152290 A1 6/2009 Wang et al.
 2010/0113240 A1 5/2010 Takita et al.
 2010/0140129 A1 6/2010 Sanfilippo et al.
 2011/0297690 A1 12/2011 Teys et al.
 2012/0125937 A1 5/2012 Ahlstrom et al.
 2014/0083897 A1 3/2014 Sanfilippo et al.
 2014/0102936 A1 4/2014 Sanfilippo et al.
 2014/0109522 A1 4/2014 Sanfilippo et al.
 2015/0001234 A1 * 1/2015 Sanfilippo et al. 220/834

FOREIGN PATENT DOCUMENTS

FR 2766794 A1 2/1999
 JP 10-203560 8/1998
 WO WO-86/06344 A1 11/1986
 WO WO-00/12407 A1 3/2000
 WO WO-02/085726 A1 10/2002
 WO WO-2004/110885 A1 12/2004

OTHER PUBLICATIONS

Color photographs of Frito-Lay Doritos "Gamer Pack" package (circa 2013).

* cited by examiner

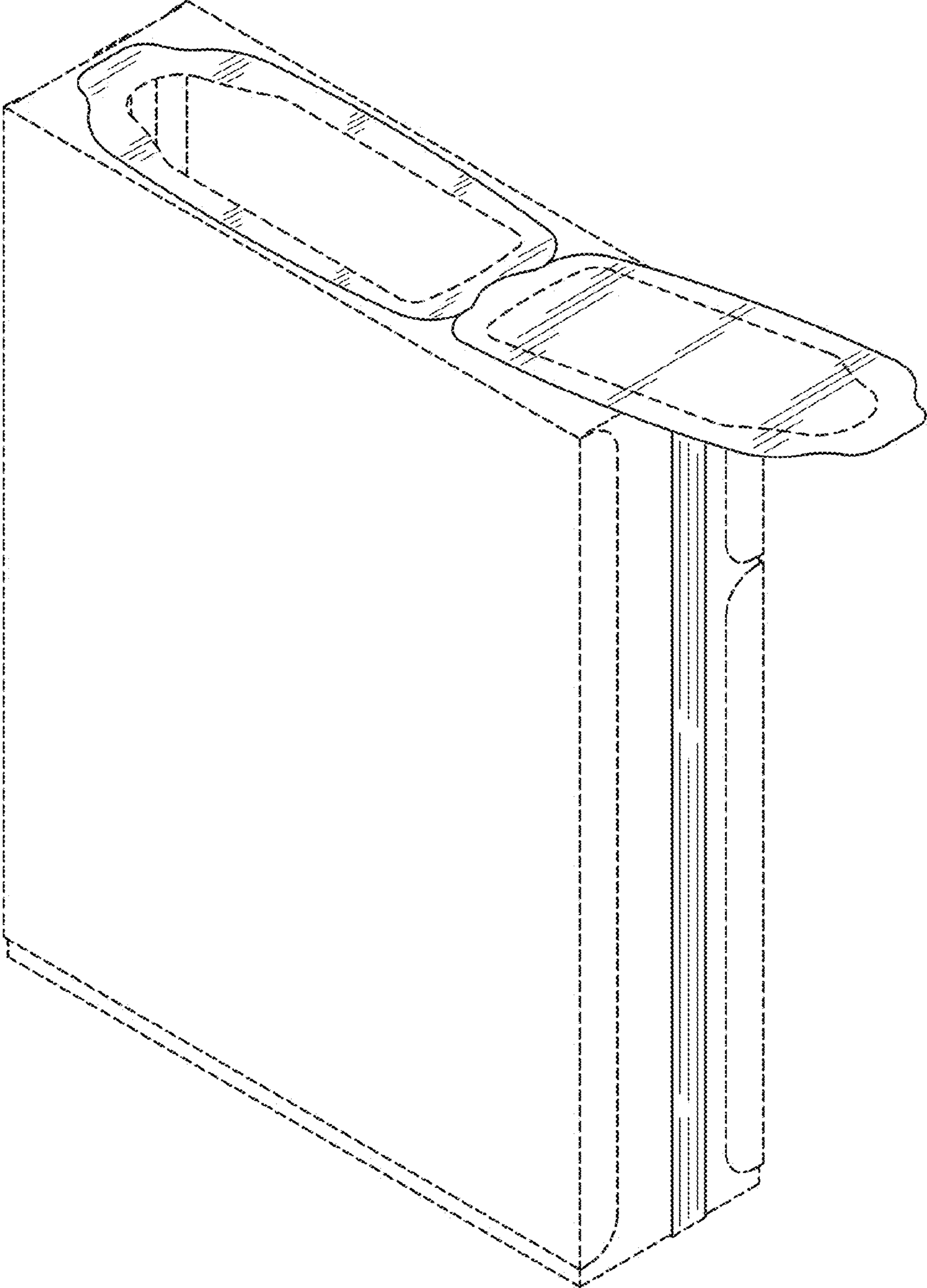


FIG. 1

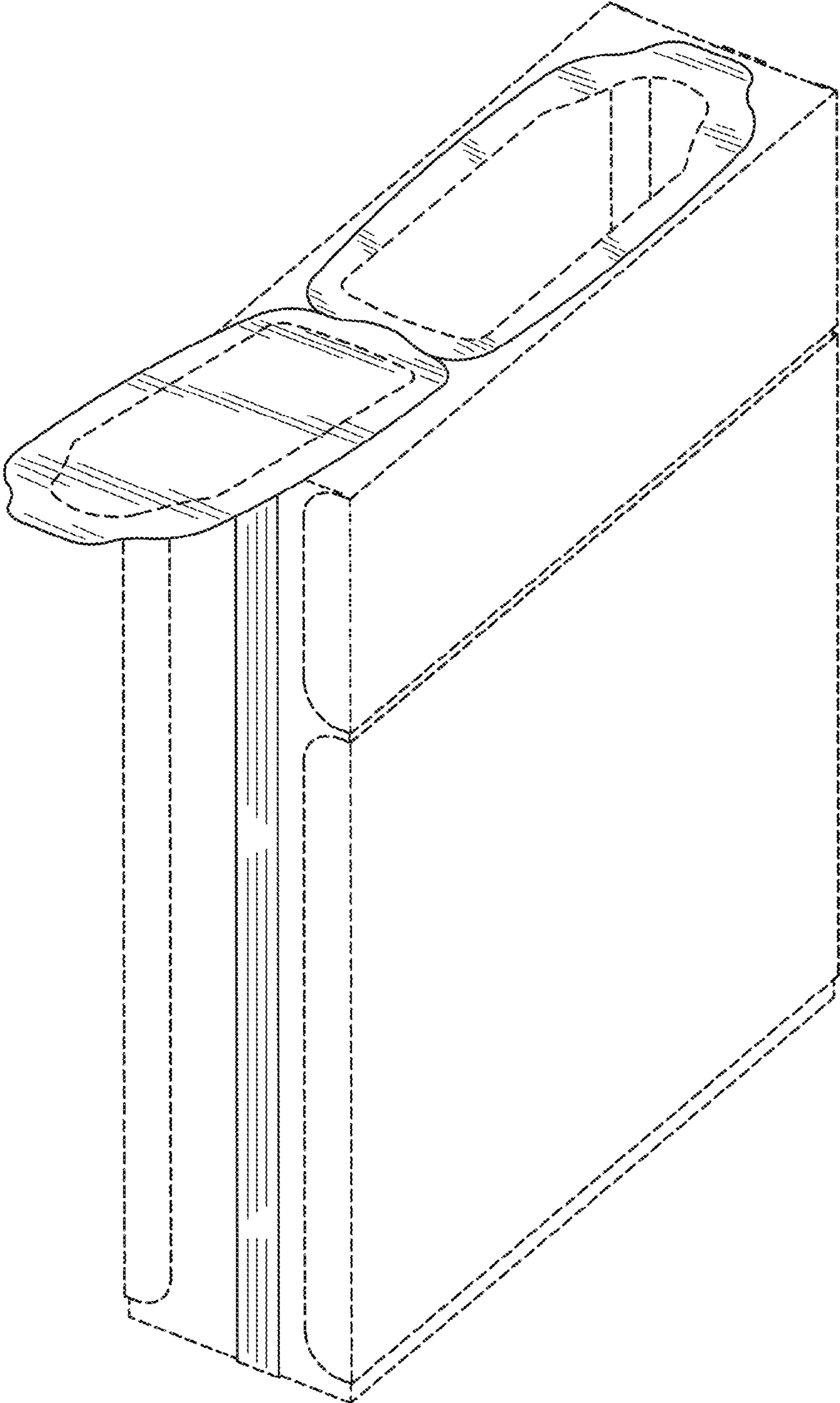


FIG. 2

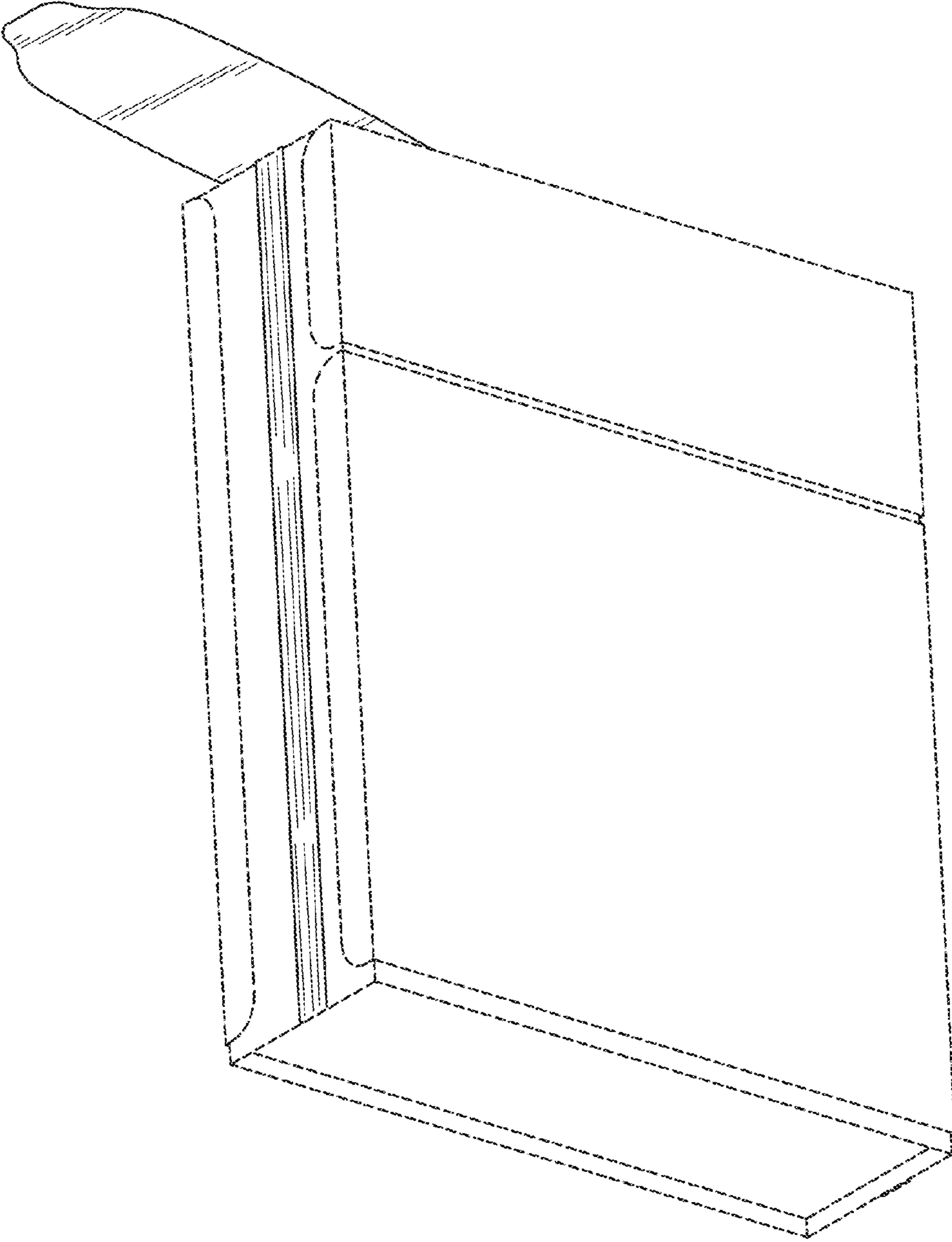


FIG. 3

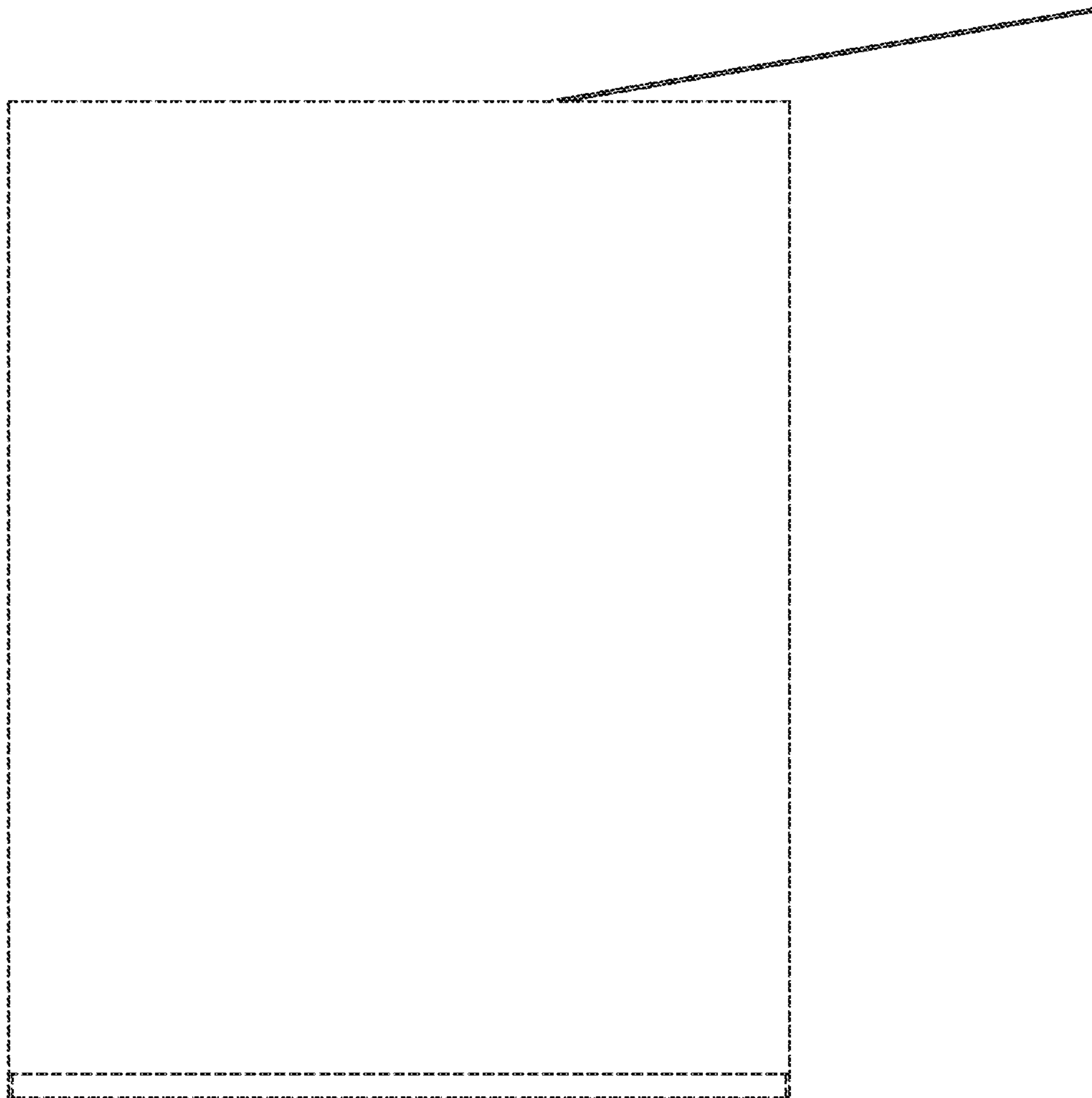


FIG. 4

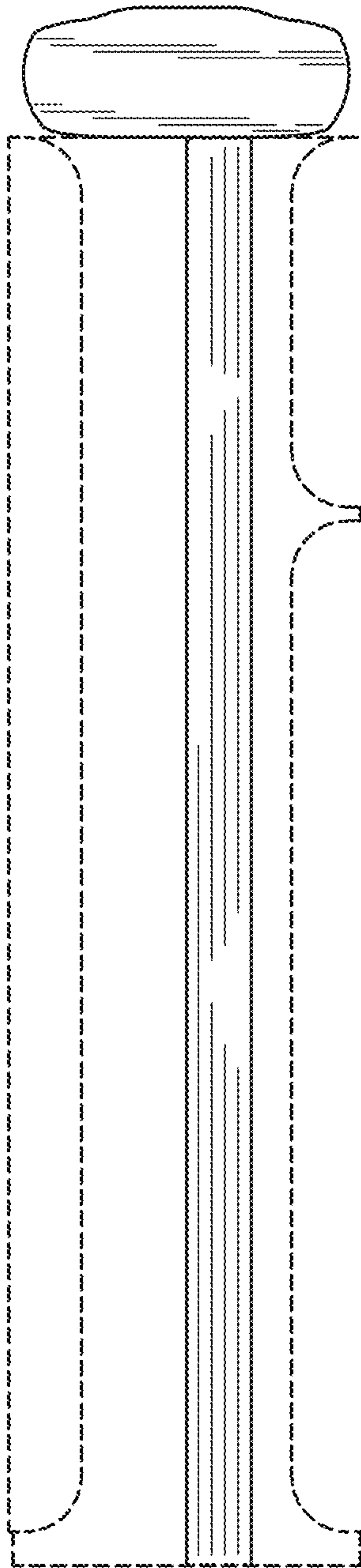


FIG. 5

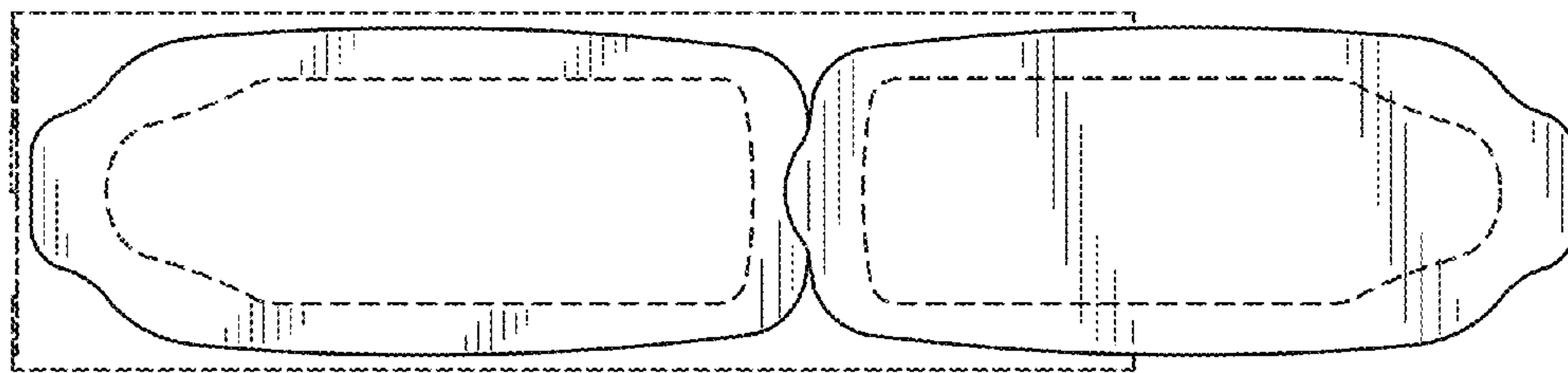


FIG. 6

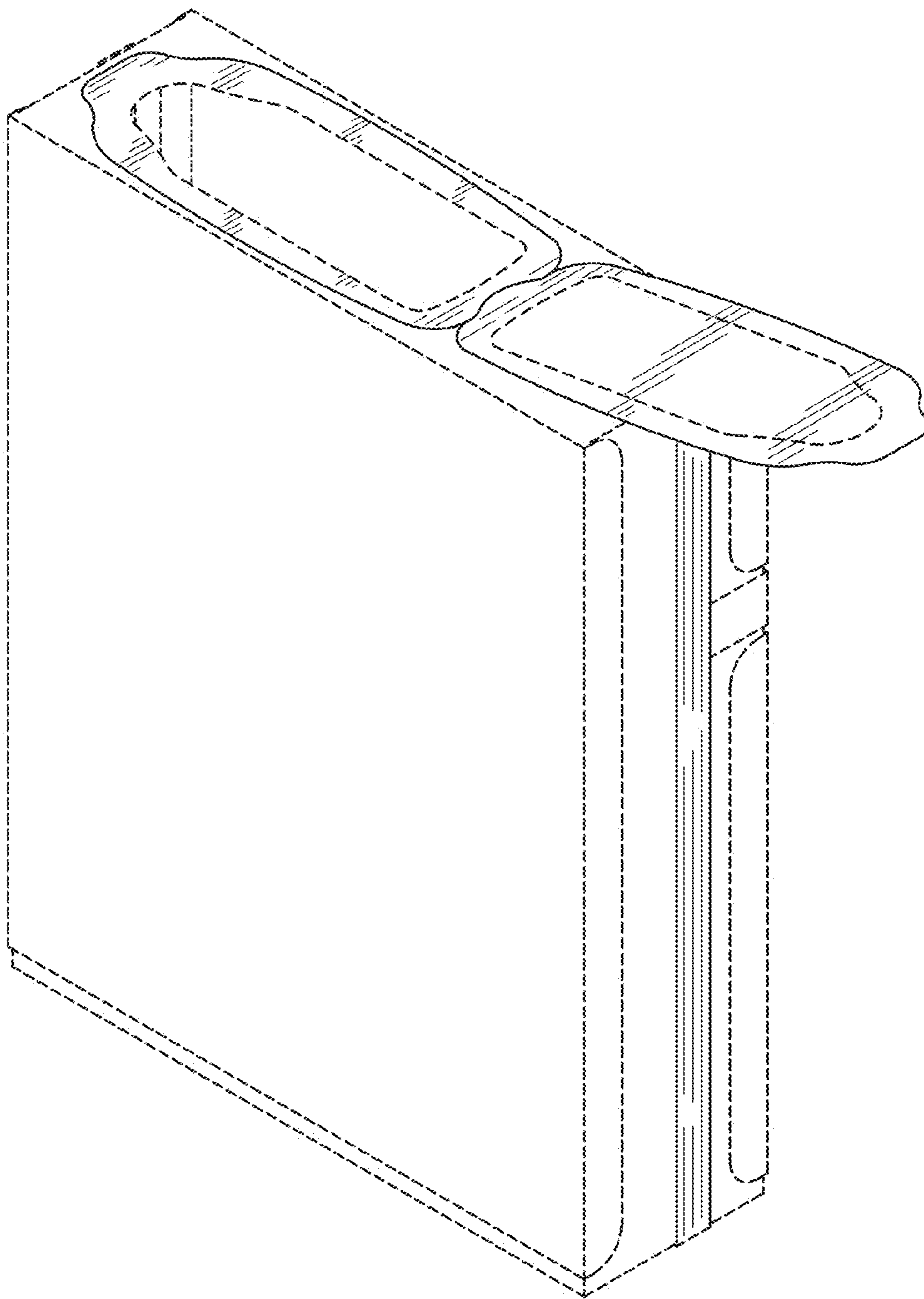


FIG. 7

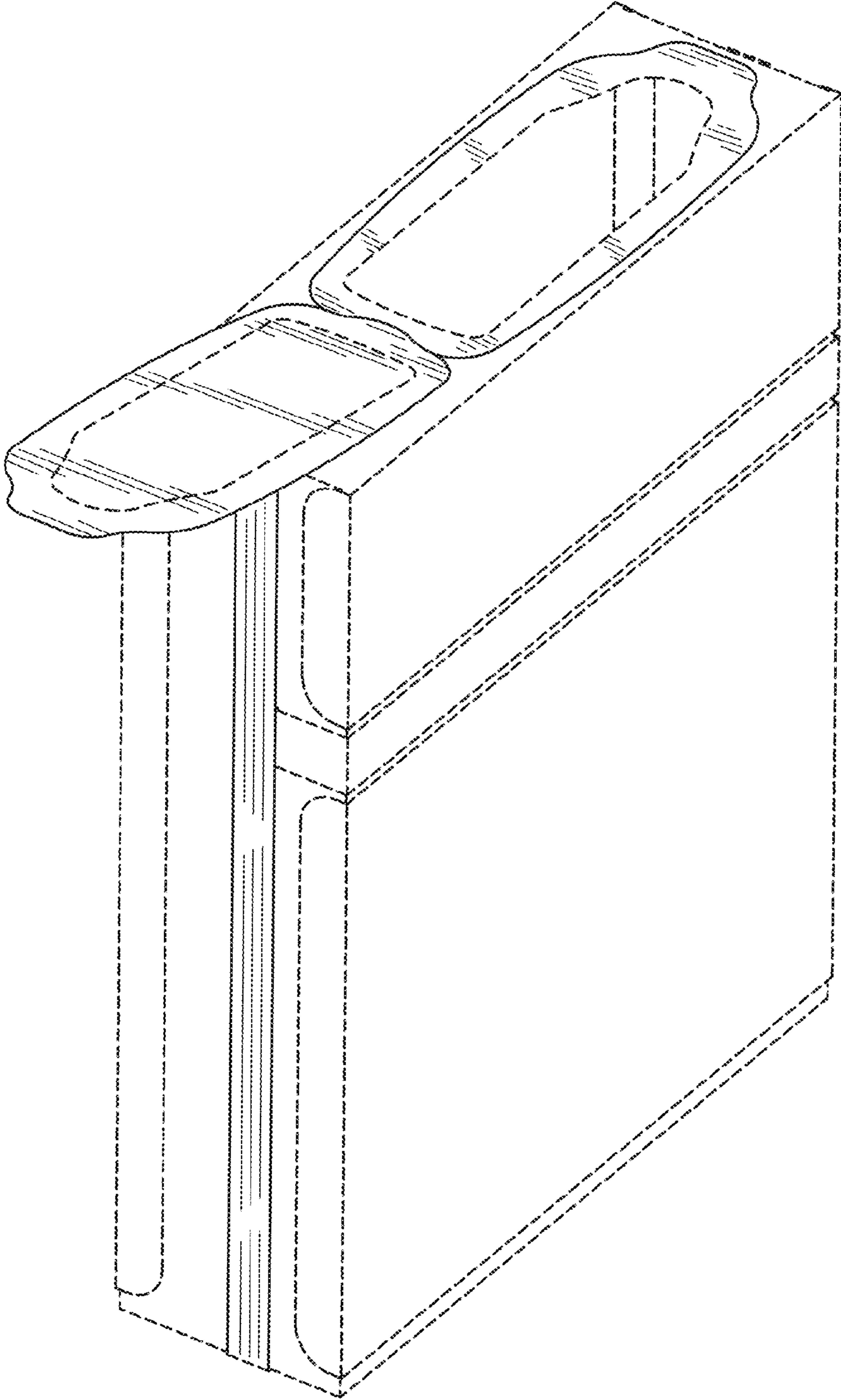


FIG. 8

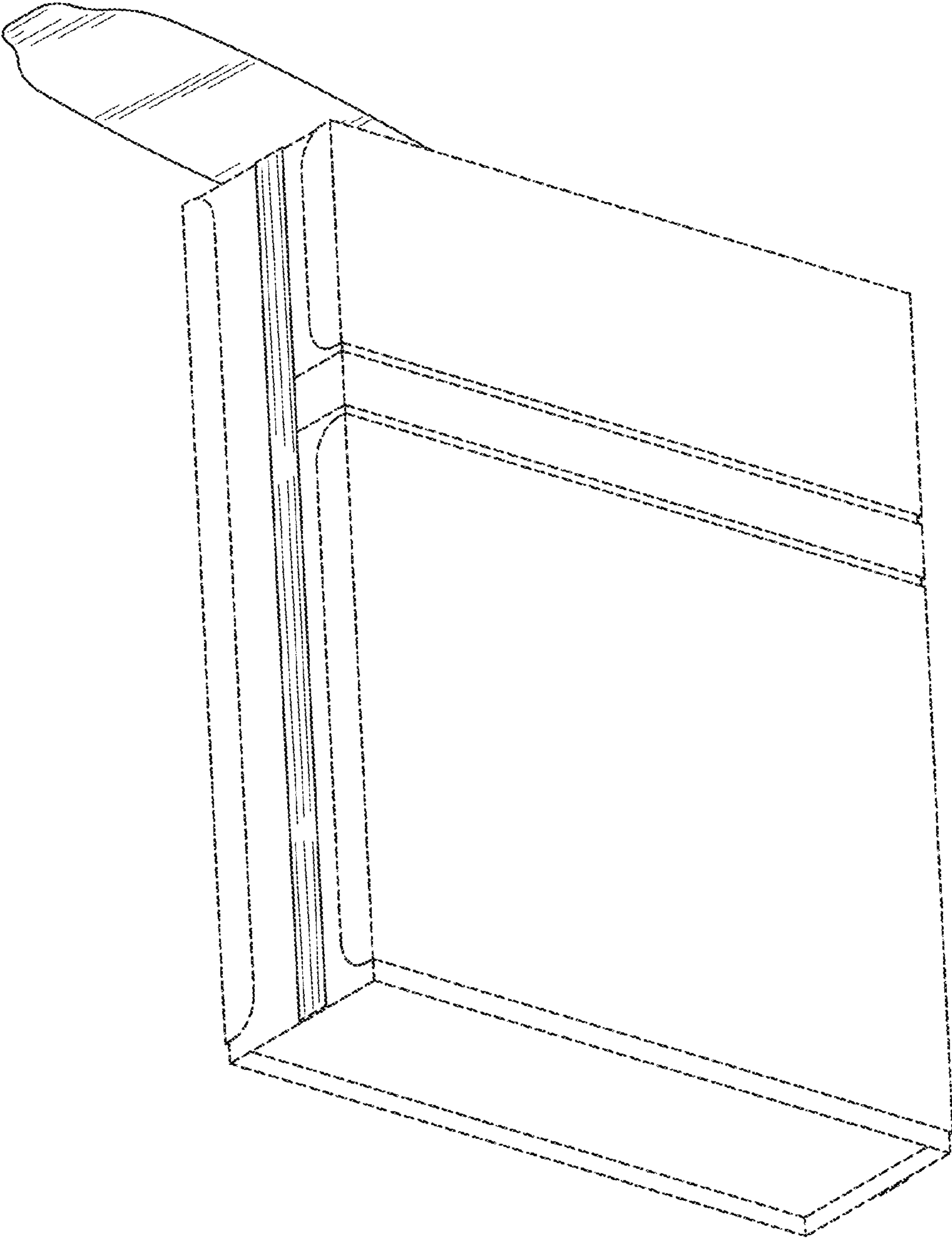


FIG. 9

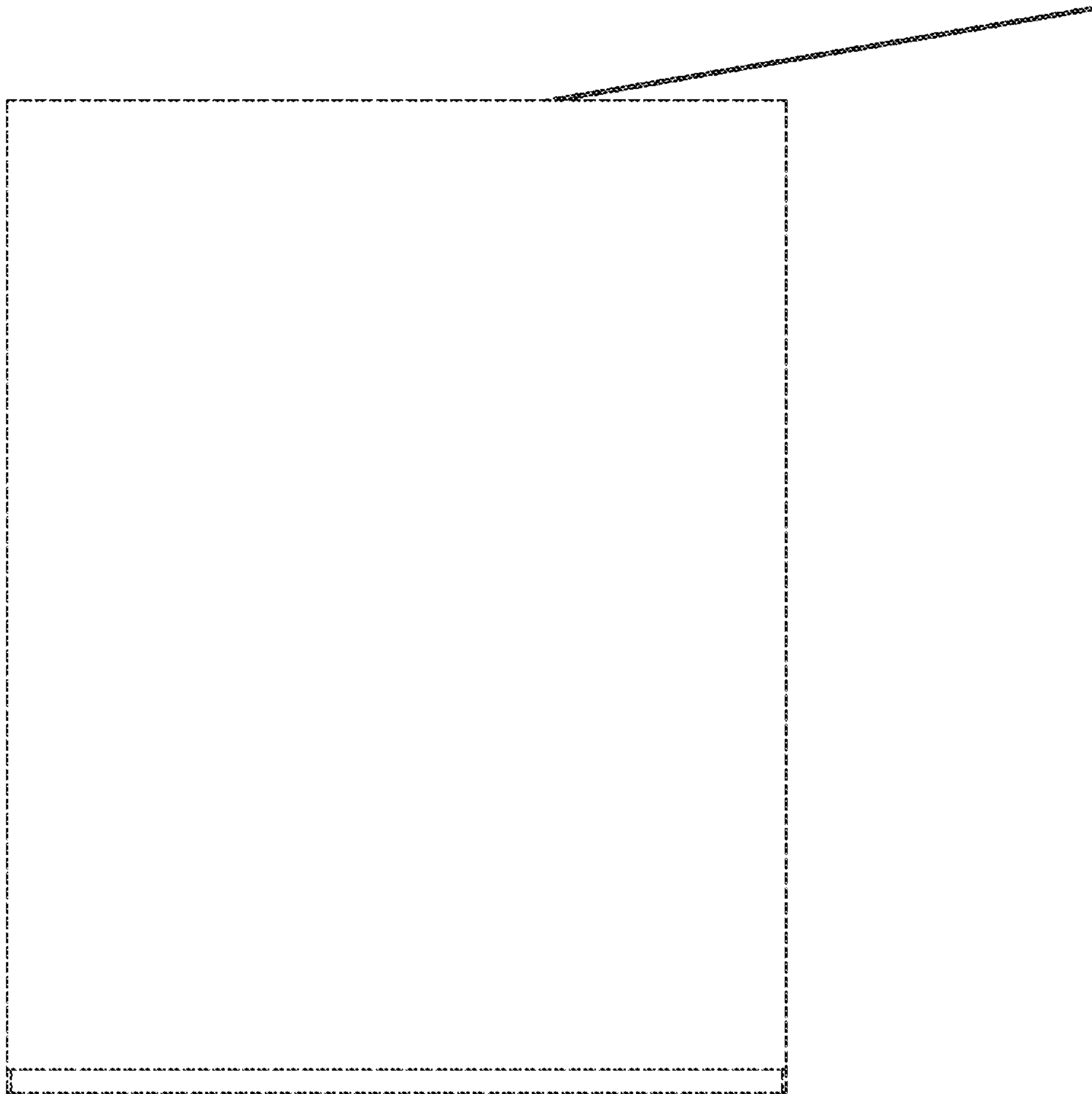


FIG. 10

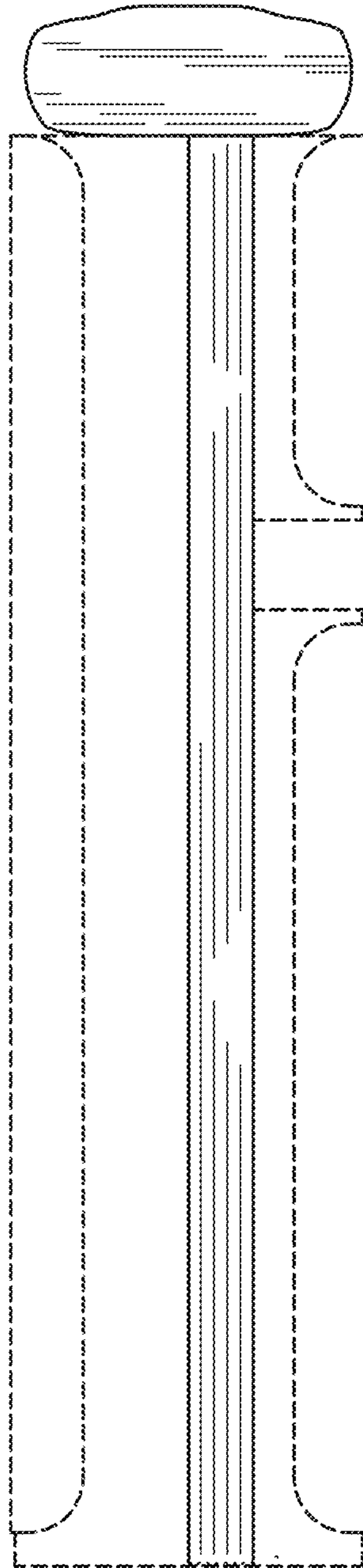


FIG. 11

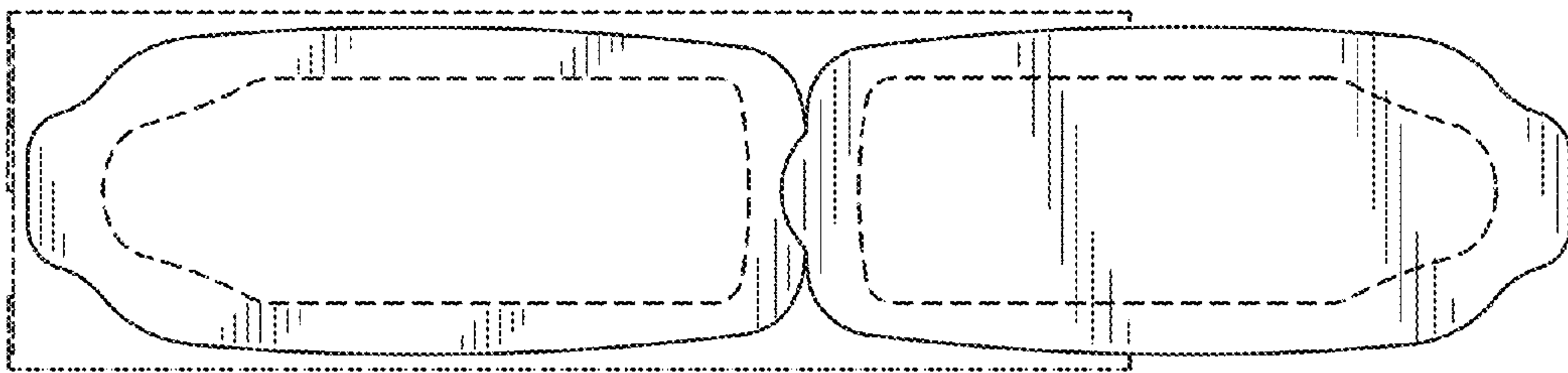


FIG. 12