



US00D761649S

(12) **United States Design Patent**
Buck

(10) **Patent No.:** **US D761,649 S**
(45) **Date of Patent:** **** Jul. 19, 2016**

(54) **BEVERAGE CONTAINER LID**
(71) Applicant: **Ronald Mark Buck**, Encinitas, CA (US)
(72) Inventor: **Ronald Mark Buck**, Encinitas, CA (US)
(73) Assignee: **Snacktops, Inc.**, Carlsbad, CA (US)
(**) Term: **15 Years**

(21) Appl. No.: **29/542,014**

(22) Filed: **Oct. 9, 2015**

(51) **LOC (10) Cl.** **09-07**

(52) **U.S. Cl.**
USPC **D9/447**

(58) **Field of Classification Search**
USPC D9/429, 434, 435, 443-450, 452, 454,
D9/499, 553, 554, 559, 561; D7/387, 392,
D7/393, 396.2, 396.4, 509, 510, 511, 514;
D3/202, 203.2, 223, 264, 294, 304, 318
CPC A61J 1/00; A61J 1/1412; B65D 1/00;
B65D 1/02; B65D 1/10; B65D 1/46; B65D
2585/56; B65D 2585/545; B65D 41/00;
B65D 41/56; B65D 41/62; B65D 47/06;
B65D 47/08; B65D 2543/00046
See application file for complete search history.

(56) **References Cited**

U.S. PATENT DOCUMENTS

D417,845 S *	12/1999	Sadlier	D7/511
D476,891 S *	7/2003	Clarke	D9/447
D591,595 S *	5/2009	Tedford, Jr.	D9/447
D657,670 S *	4/2012	Folos	D9/447
D658,057 S *	4/2012	Donat	D9/447
D660,696 S *	5/2012	Weiss	D9/447
D703,044 S *	4/2014	Chou	D9/435
D716,141 S *	10/2014	Rush	D9/447
D737,139 S *	8/2015	Sokoly	D9/435
D740,611 S *	10/2015	Crosby	D7/531
2005/0224503 A1 *	10/2005	Dantani	B65D 43/0212 220/711
2006/0071008 A1 *	4/2006	Sadlier	B65D 43/0218 220/713
2009/0090712 A1 *	4/2009	Vovan	B65D 21/02 220/23.86
2009/0223981 A1 *	9/2009	Levey	B65D 51/185 220/712

2012/0152968 A1 *	6/2012	Bailey	B65D 43/0212 220/713
2013/0056463 A1 *	3/2013	Buck	A47G 19/065 220/23.83
2013/0306666 A1 *	11/2013	Weiss	B65D 43/06 220/784
2016/0051071 A1 *	2/2016	Buck	A47G 21/187 239/33
2016/0058223 A1 *	3/2016	Savenok	A47G 19/2205 220/713

* cited by examiner

Primary Examiner — Karen S Acker

Assistant Examiner — Wendy Arminio

(74) *Attorney, Agent, or Firm* — Manuel de la Cerra

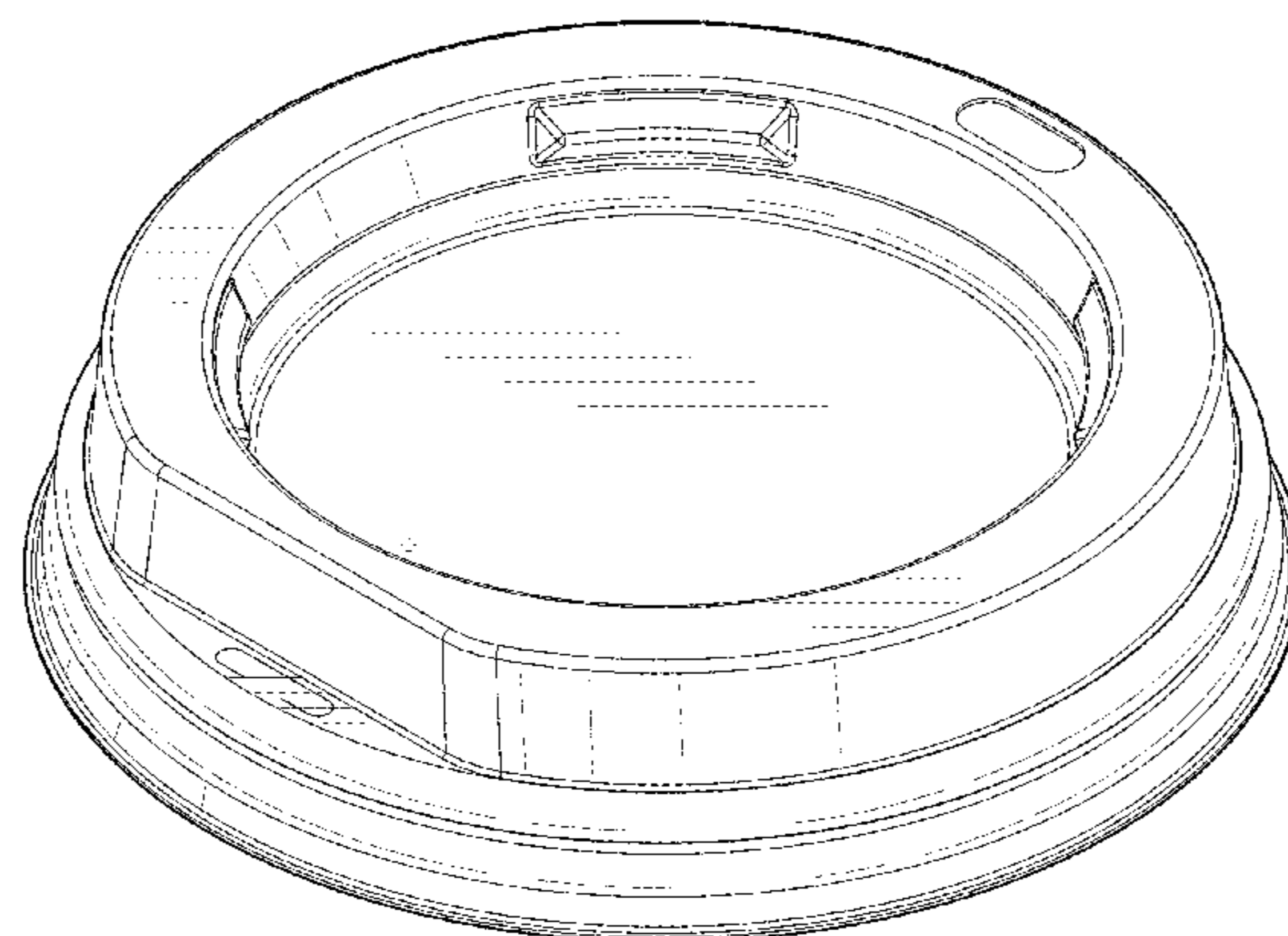
(57) **CLAIM**

The ornamental design for a beverage container lid, as shown and described.

DESCRIPTION

FIG. 1 is a top perspective view of a beverage container lid. FIG. 2 is a bottom perspective view thereof. FIG. 3 is a top perspective view thereof shown in a position of use attached to a beverage container and to a food container. FIG. 4 is a bottom perspective view thereof shown in a position of use attached to a beverage container and to a food container. FIG. 5 is an exploded top perspective view thereof shown detached from a beverage container and a food container. FIG. 6 is an exploded bottom perspective view thereof shown detached from a beverage container and a food container. FIG. 7 is a front view thereof. FIG. 8 is a rear view thereof. FIG. 9 is a top view thereof. FIG. 10 is a bottom view thereof; and, FIG. 11 is a left side view thereof (right-side is a mirror image). The broken lines depict portions of the beverage container lid that form no part of the claimed design. The beverage container, food container, and straw shown in broken lines in FIGS. 5-7 illustrate environment and form no part of the claimed design.

1 Claim, 6 Drawing Sheets



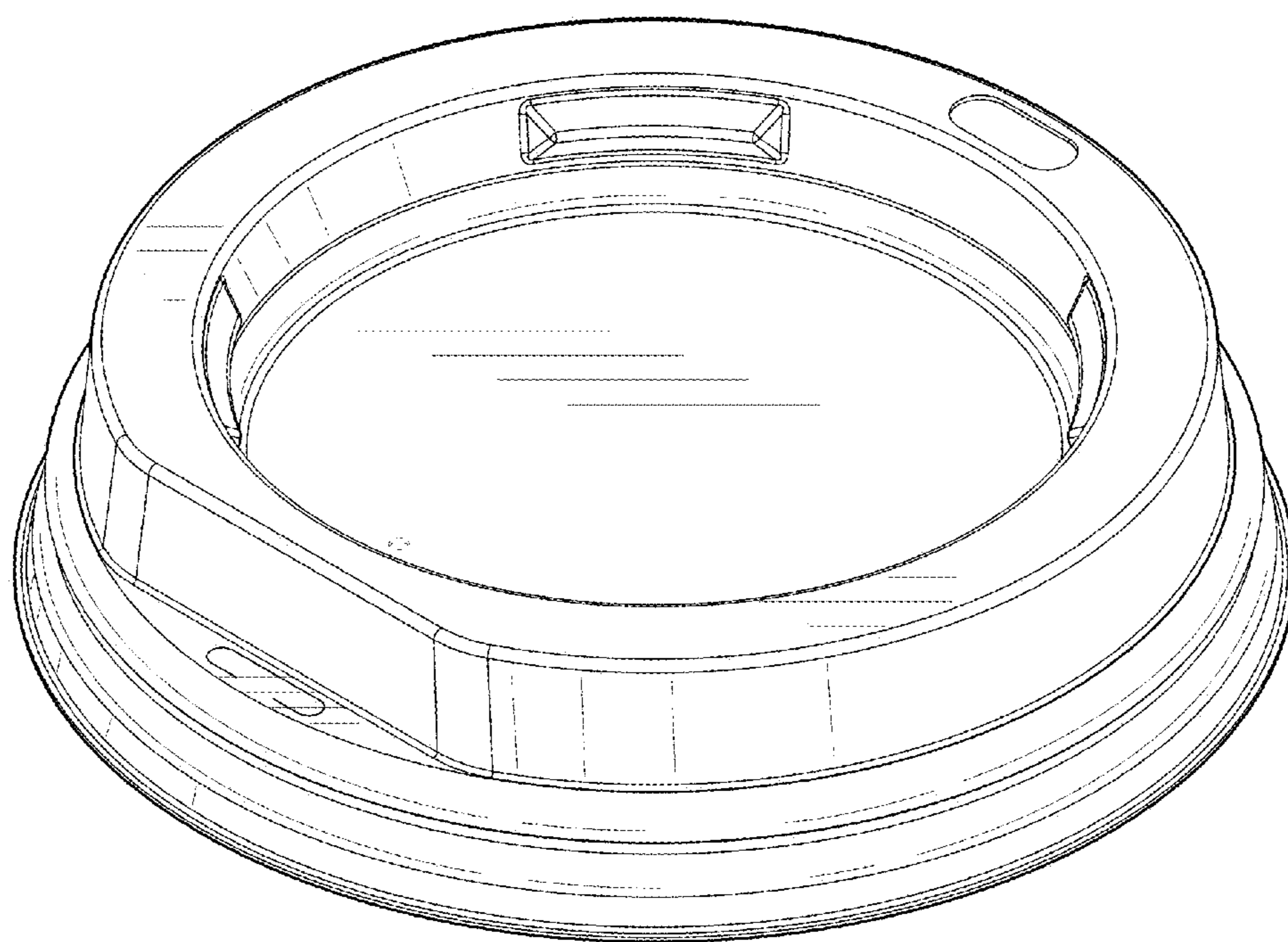


FIG. 1

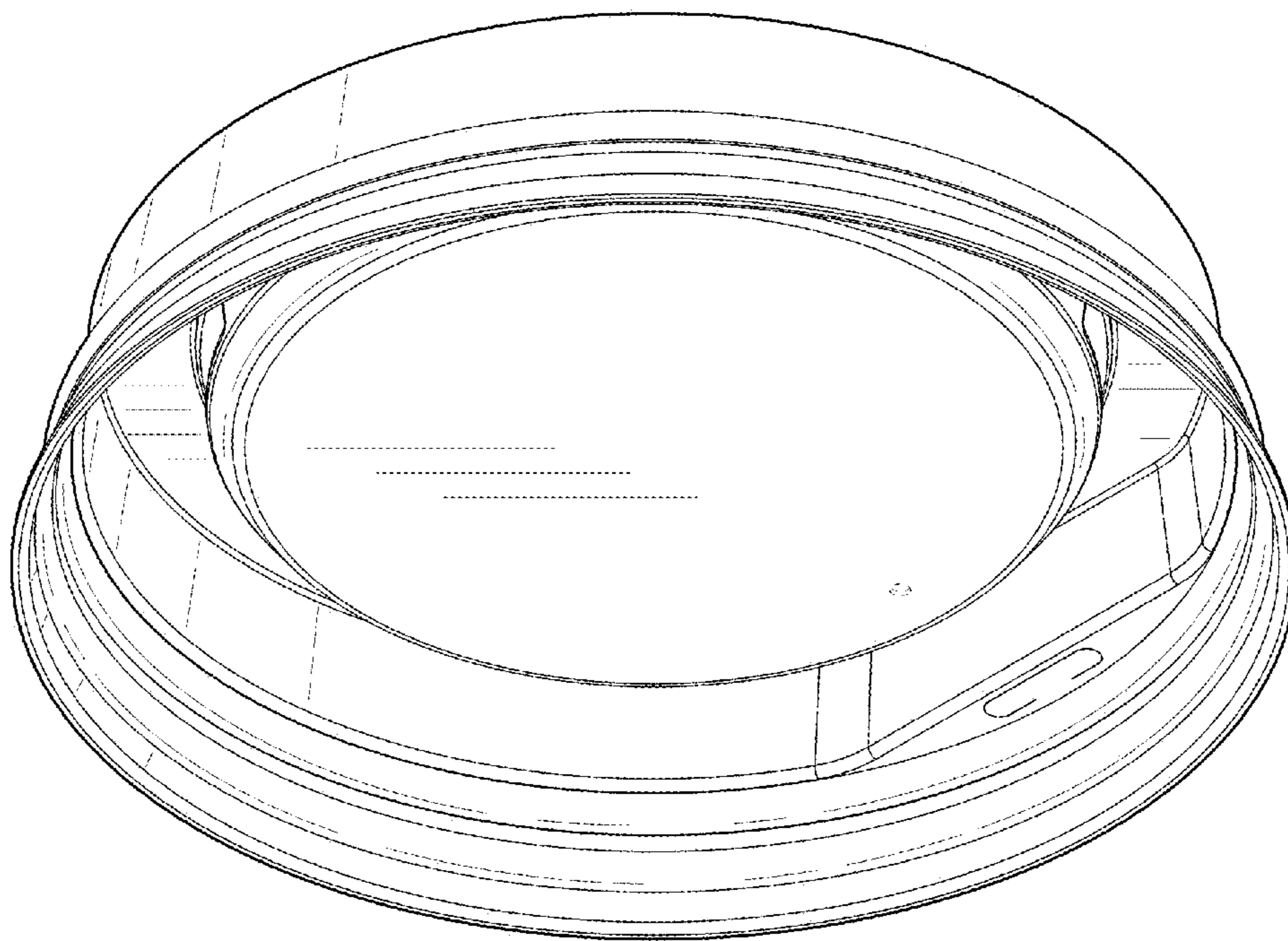


FIG. 2

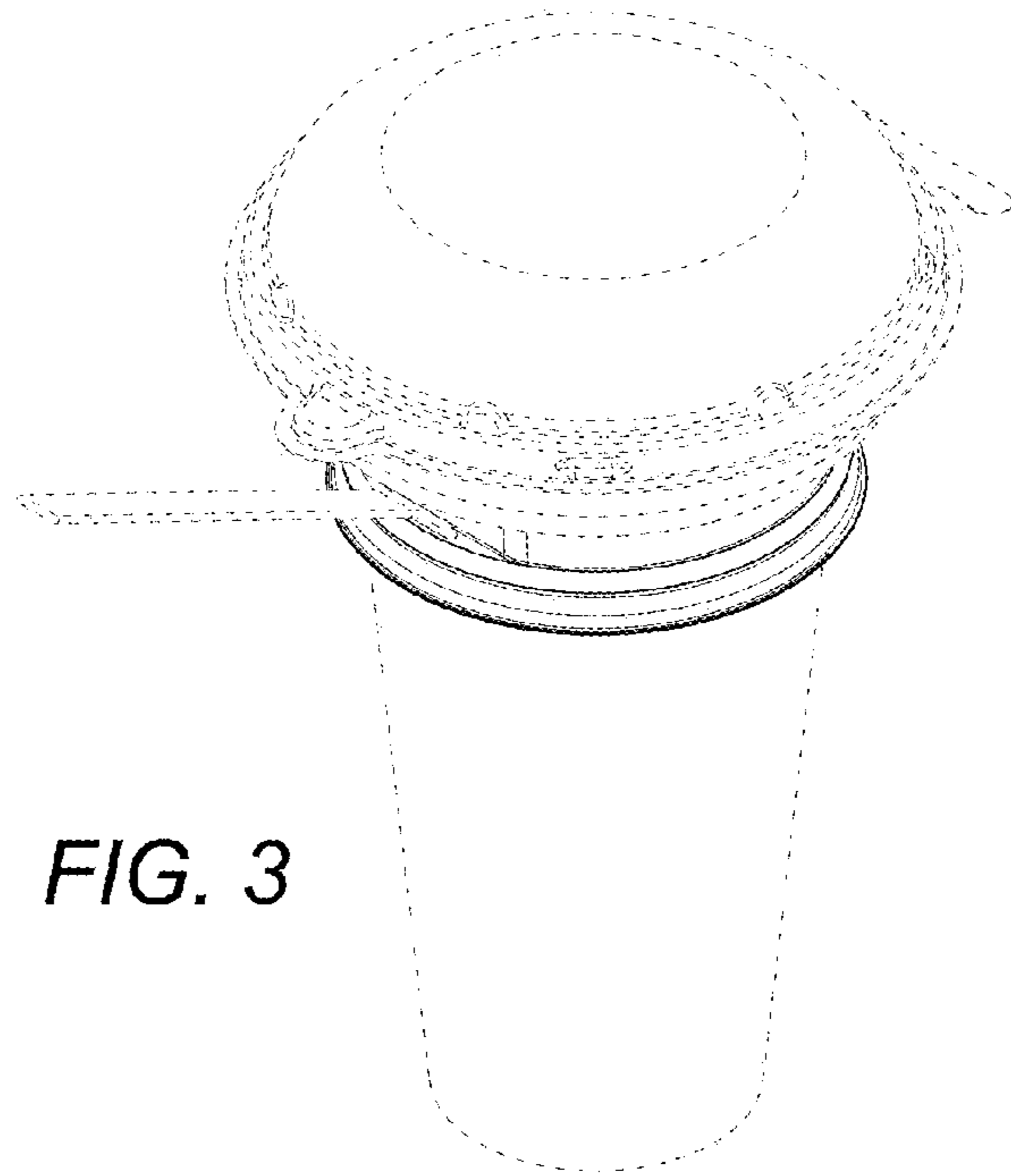


FIG. 3

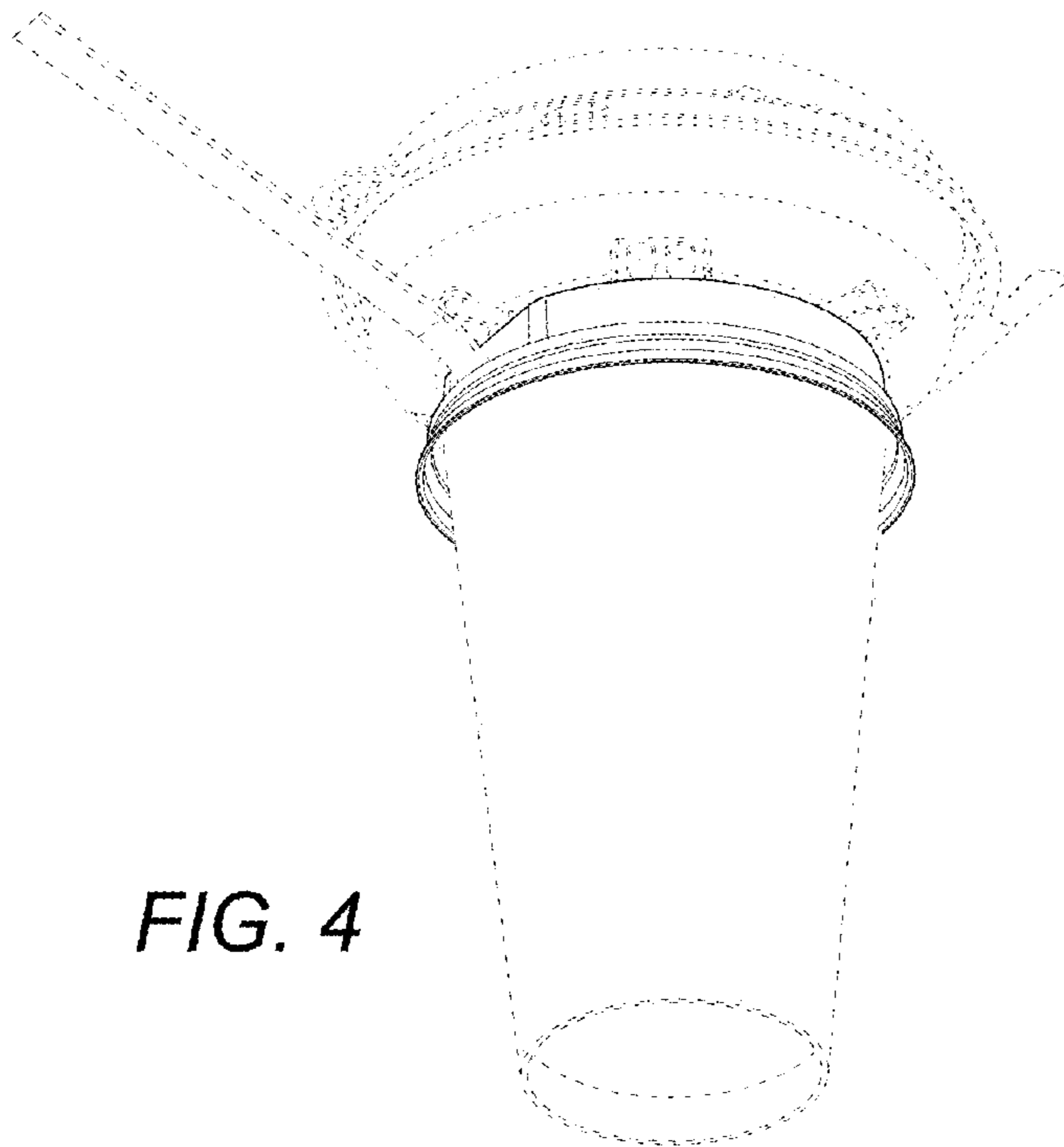


FIG. 4

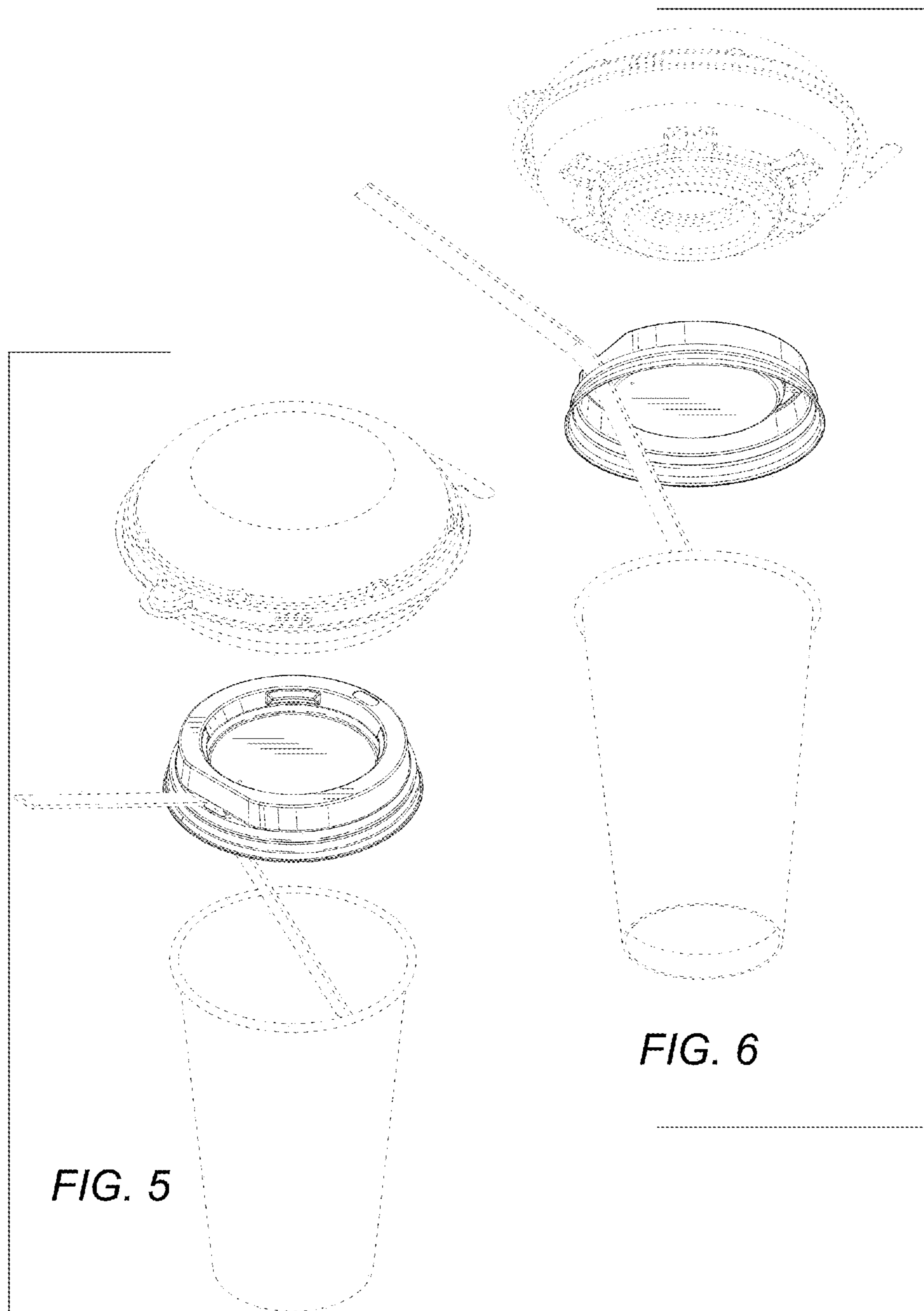


FIG. 5

FIG. 6

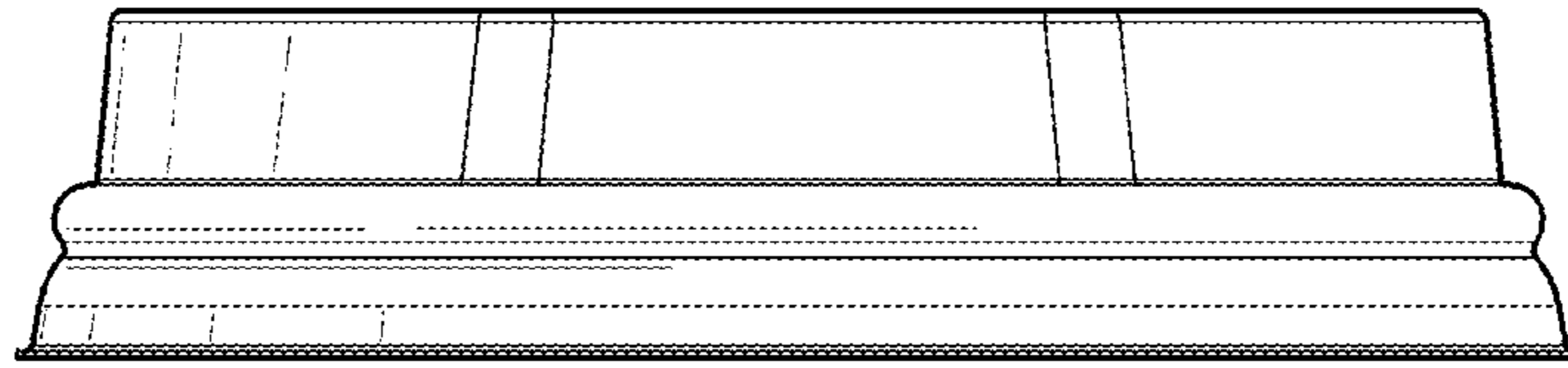


FIG. 7

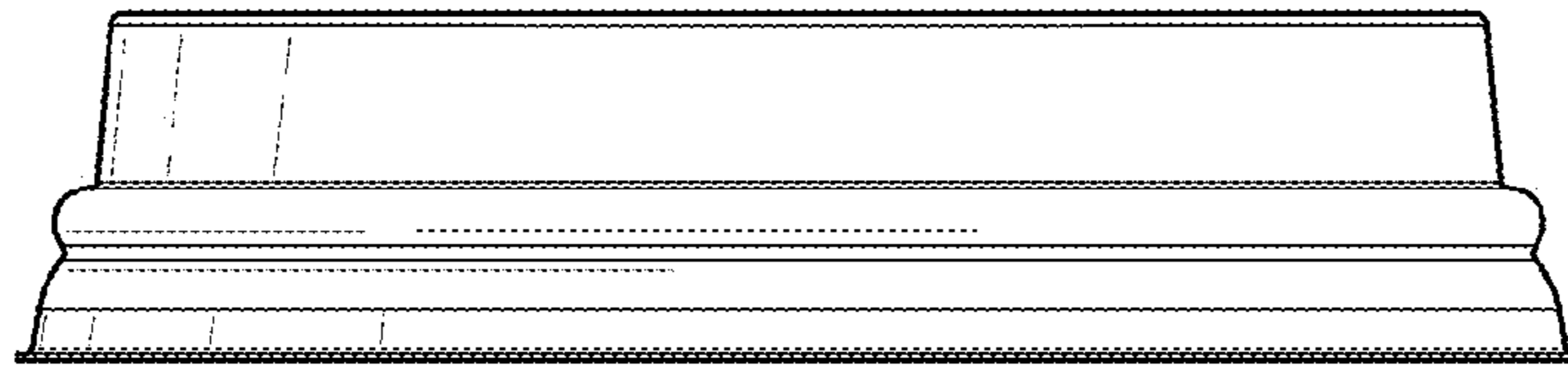


FIG. 8

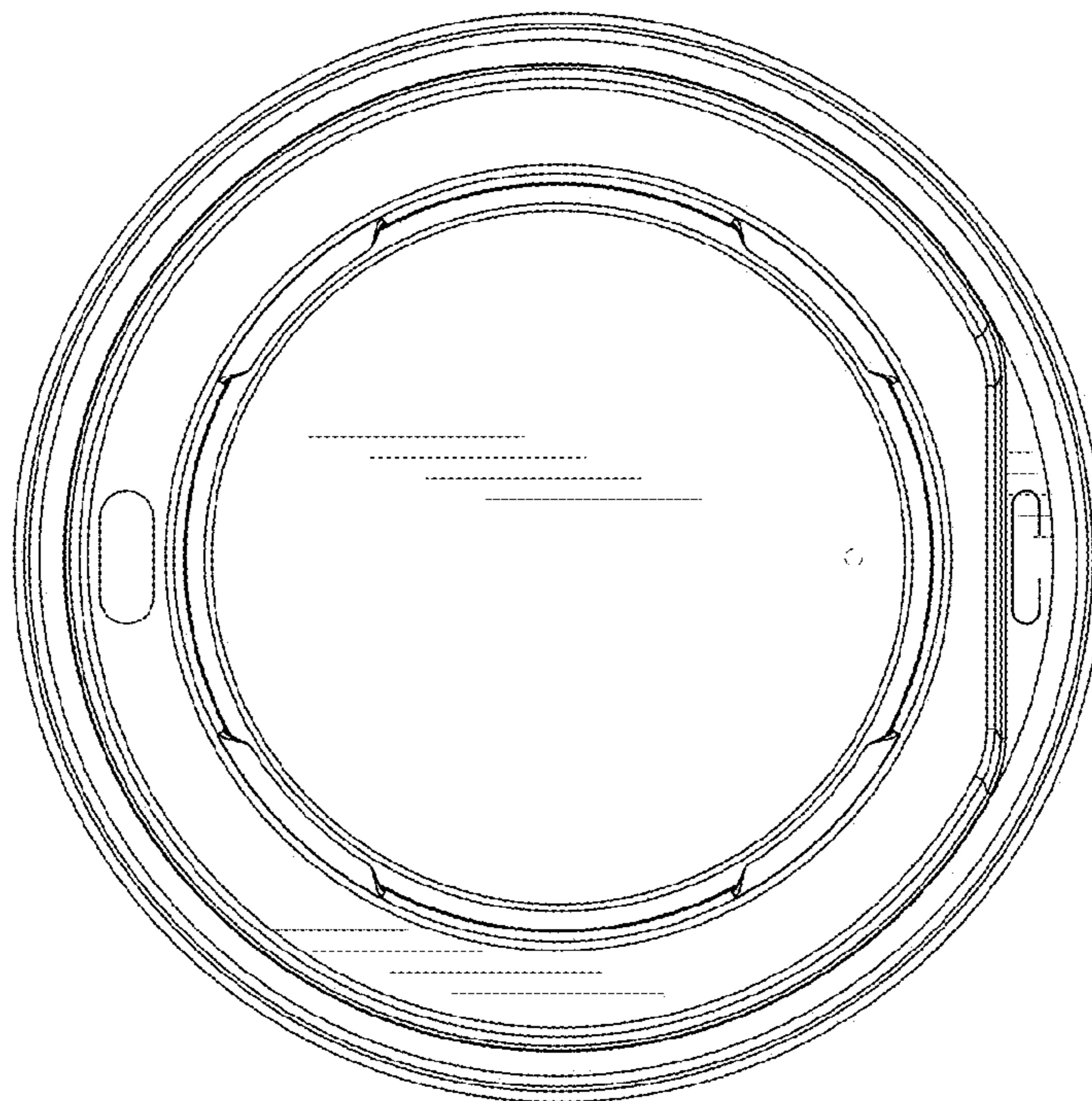


FIG. 9

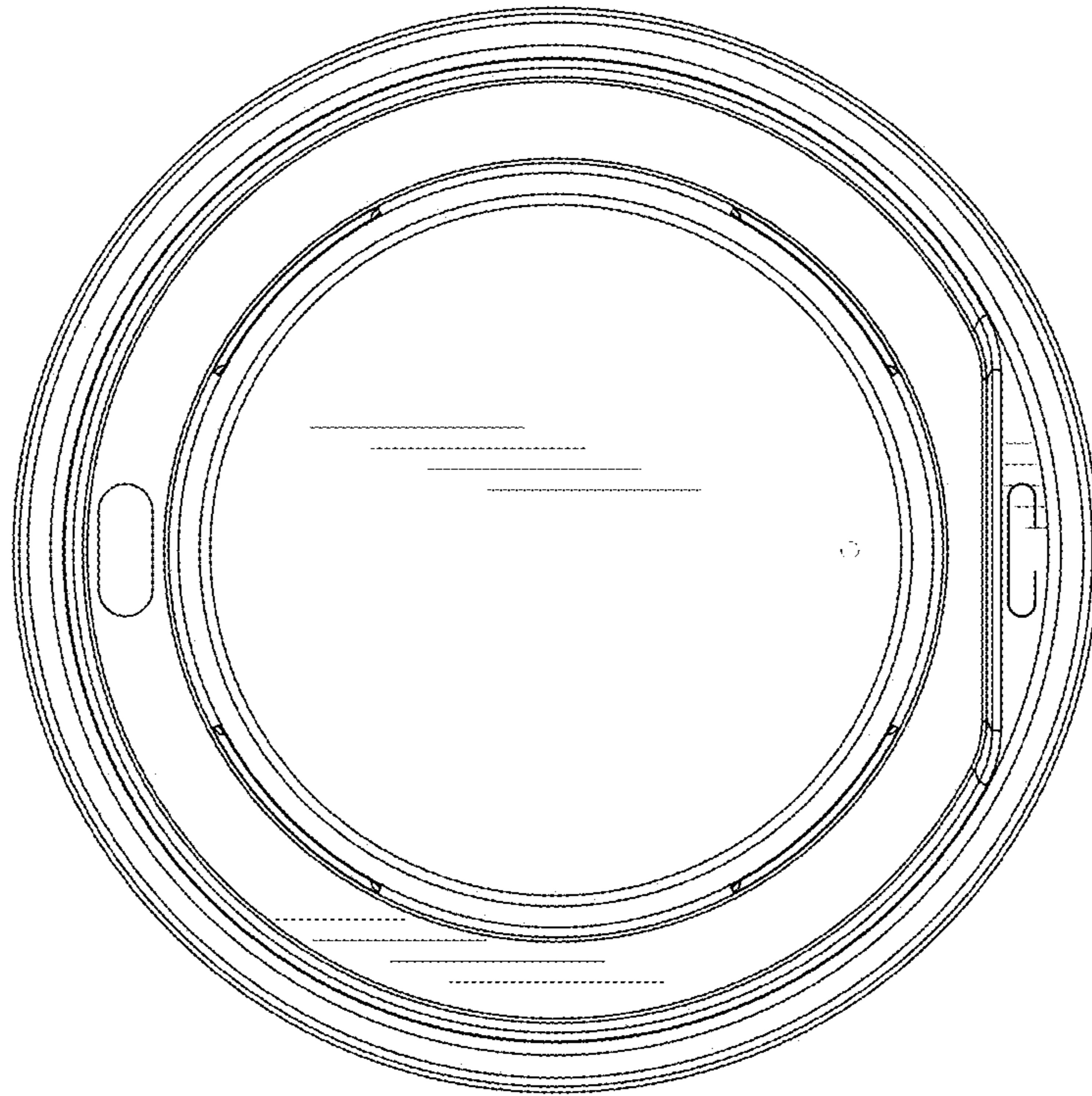


FIG. 10

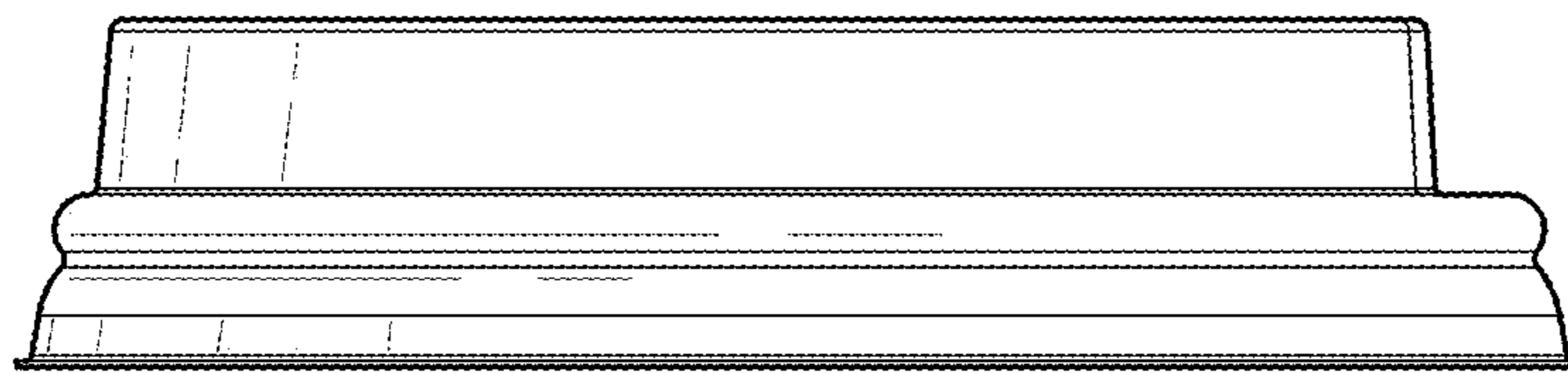


FIG. 11