

US00D761648S

(12) **United States Design Patent**  
**Karl, IV et al.**

(10) **Patent No.:** **US D761,648 S**  
(45) **Date of Patent:** **\*\* Jul. 19, 2016**

(54) **CLOSURE FOR CONTAINER**

(71) Applicant: **Shock Doctor, Inc.**, Minnetonka, MN (US)  
(72) Inventors: **Adam Peter Karl, IV**, Burlington, VT (US); **Bradley P. Fishkin**, Burlington, VT (US); **James Creath Frazier**, Hinesburg, VT (US)  
(73) Assignee: **Shock Doctor, Inc.**, Minnetonka, MN (US)

(\*\*) Term: **14 Years**  
(21) Appl. No.: **29/519,846**  
(22) Filed: **Mar. 9, 2015**

**Related U.S. Application Data**

(62) Division of application No. 29/457,417, filed on Jun. 10, 2013, now Pat. No. Des. 723,918.  
(51) **LOC (10) Cl.** ..... **09-07**  
(52) **U.S. Cl.**  
USPC ..... **D9/447**  
(58) **Field of Classification Search**  
USPC ..... D7/510-511, 514-520, 604, 613, 619.2, D7/623, 628, 527, 392, 392.1; D9/434-454; 206/494, 457, 459.1, 206/459.5; 220/890; 215/203, 230, 215/387-400  
CPC ..... B65D 51/245; B65D 5/4258; B65D 2203/00; B65D 2203/02; B65D 81/60; B65D 81/365; B65D 81/366; B65D 81/368; B65D 47/40; B65D 41/50  
See application file for complete search history.

(56) **References Cited**

U.S. PATENT DOCUMENTS

4,141,474 A	2/1979	Nilson	
D336,430 S *	6/1993	Maguire .....	D9/447
6,571,994 B1	6/2003	Adams et al.	
6,749,092 B2	6/2004	Olechowski et al.	
D531,900 S *	11/2006	Mavin .....	D9/447
D657,194 S *	4/2012	McIntire .....	D7/510
D691,420 S *	10/2013	McIntire .....	D7/510
D723,918 S	3/2015	Karl et al.	
2006/0180585 A1	8/2006	Cunningham et al.	
2013/0026196 A1	1/2013	Essebagers et al.	

FOREIGN PATENT DOCUMENTS

CN 102344012 A 2/2012

\* cited by examiner

*Primary Examiner* — Sandra Morris

(74) *Attorney, Agent, or Firm* — Faegre Baker Daniels, LLP

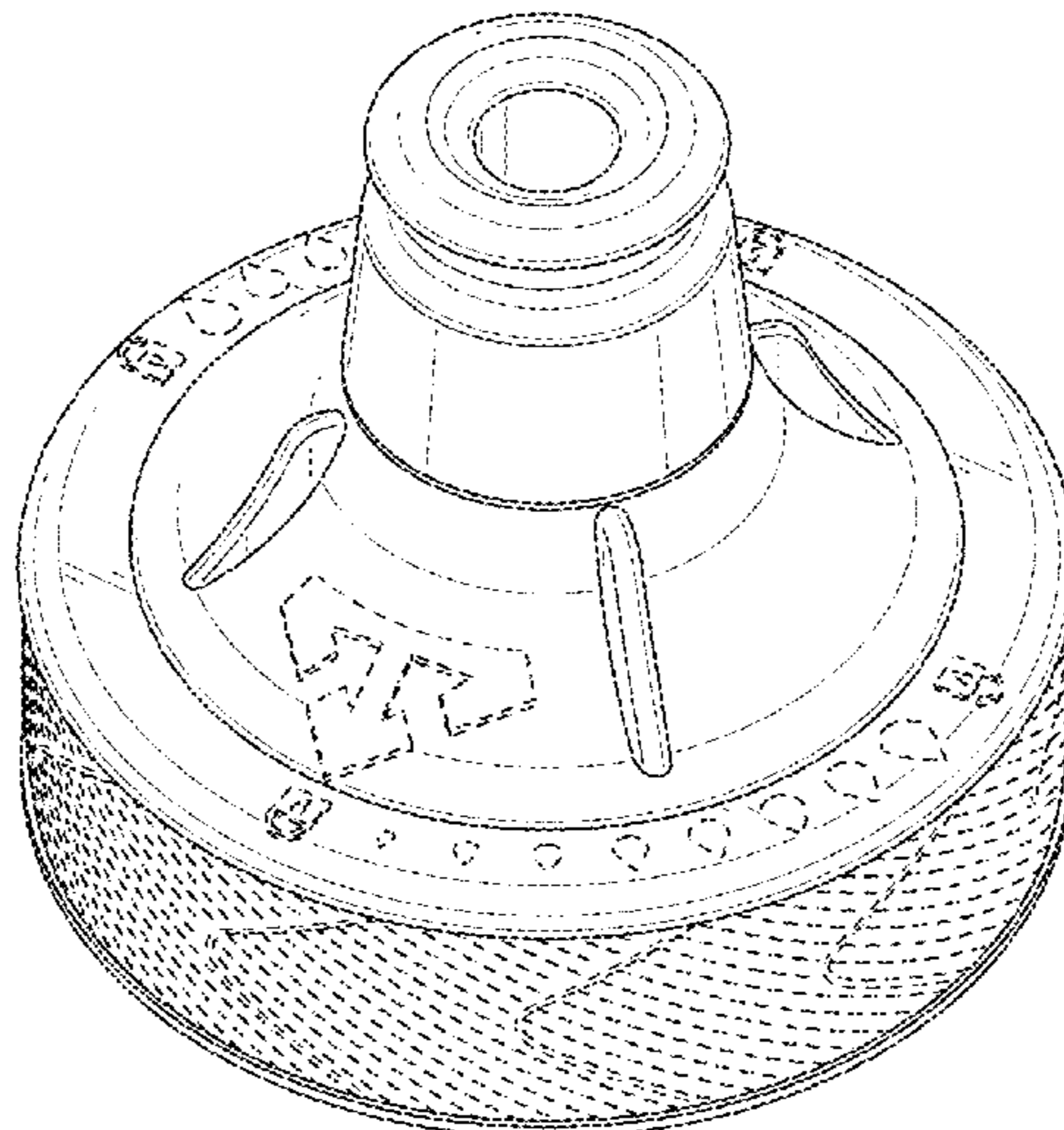
(57) **CLAIM**

We claim the ornamental design for a closure for container, as shown and described.

**DESCRIPTION**

FIG. 1 is an isometric view of a design of a closure for container according to our invention;  
FIG. 2 is a front view of the closure for container shown in FIG. 1, the back view being identical;  
FIG. 3 is a left side view of the closure for container shown in FIG. 1, the right side view being identical;  
FIG. 4 is a top view of the closure for container shown in FIG. 1; and,  
FIG. 5 is a bottom view of the closure for container shown in FIG. 1.  
The broken lines shown in FIGS. 1 through 5 are for illustrative purposes only and form no part of the claimed design.

**1 Claim, 5 Drawing Sheets**



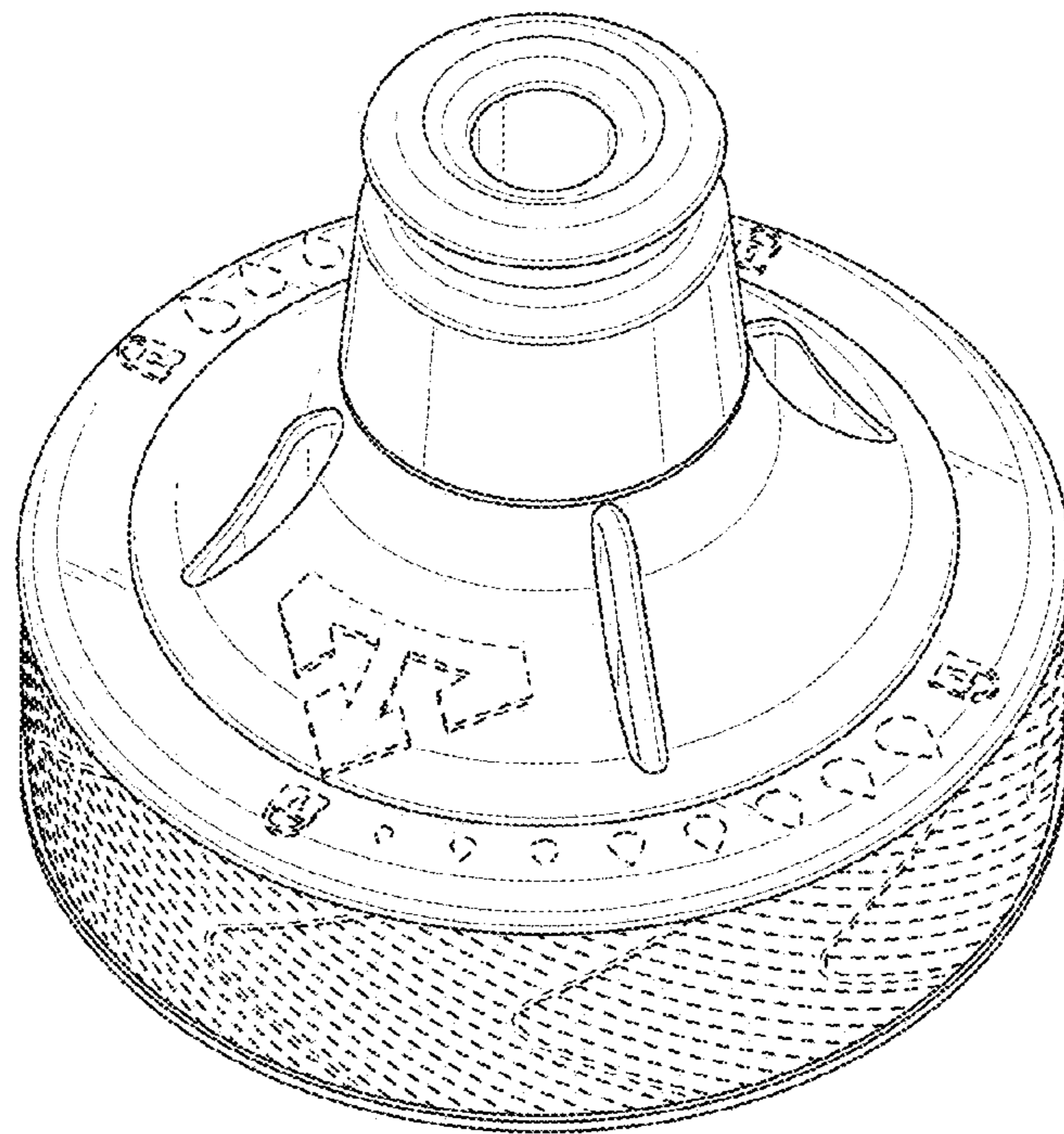


FIG. 1

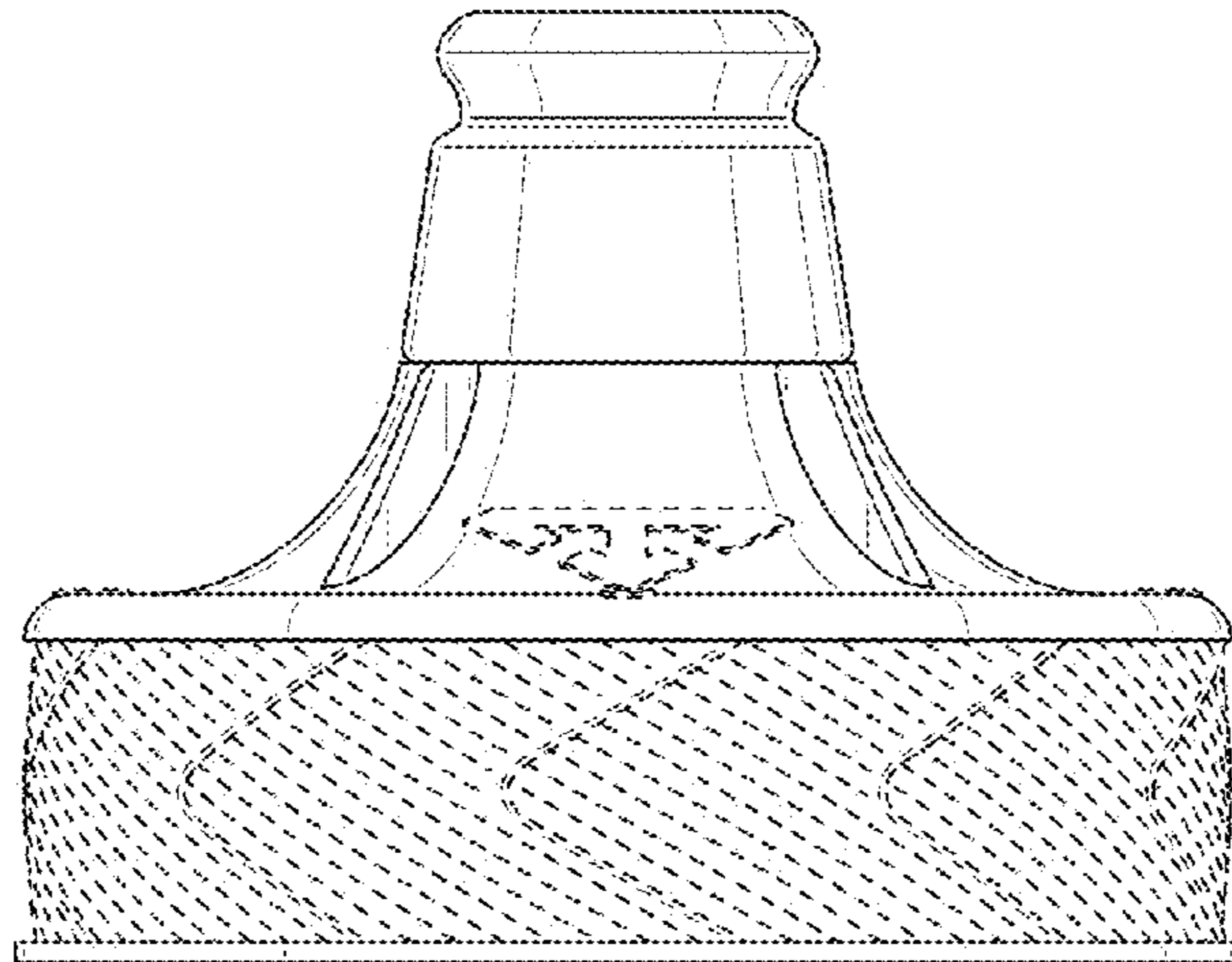


FIG. 2

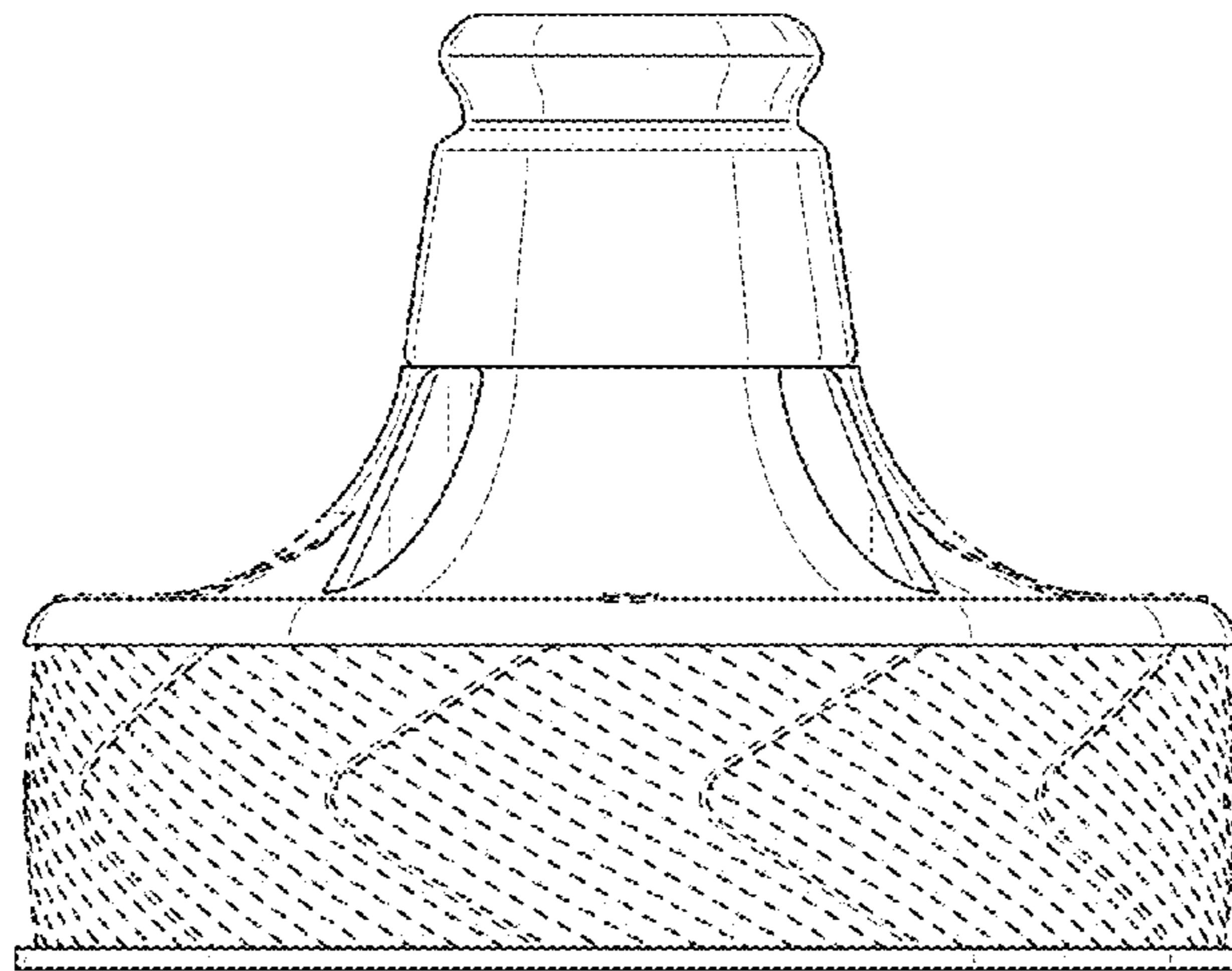


FIG. 3

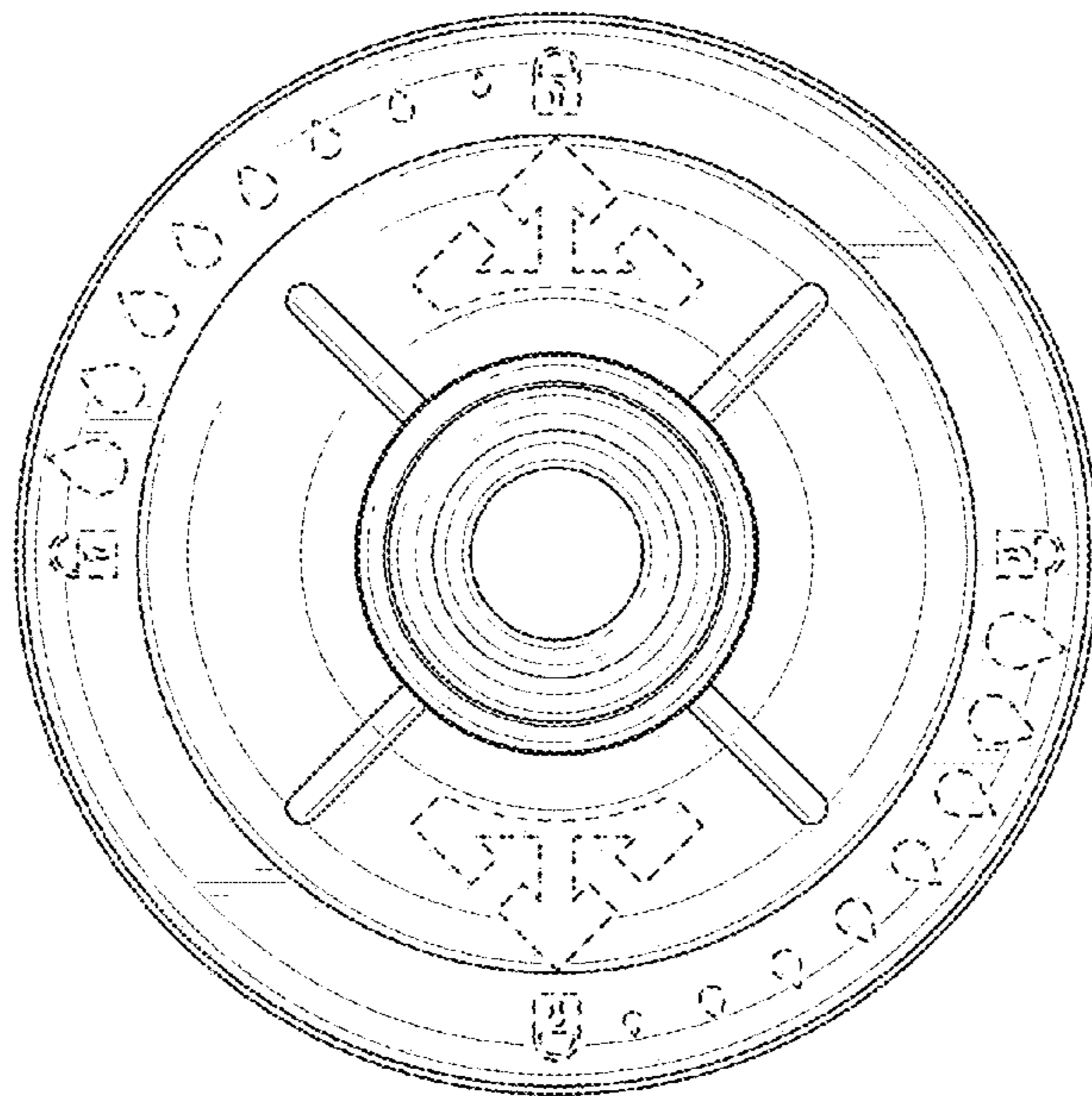


FIG. 4



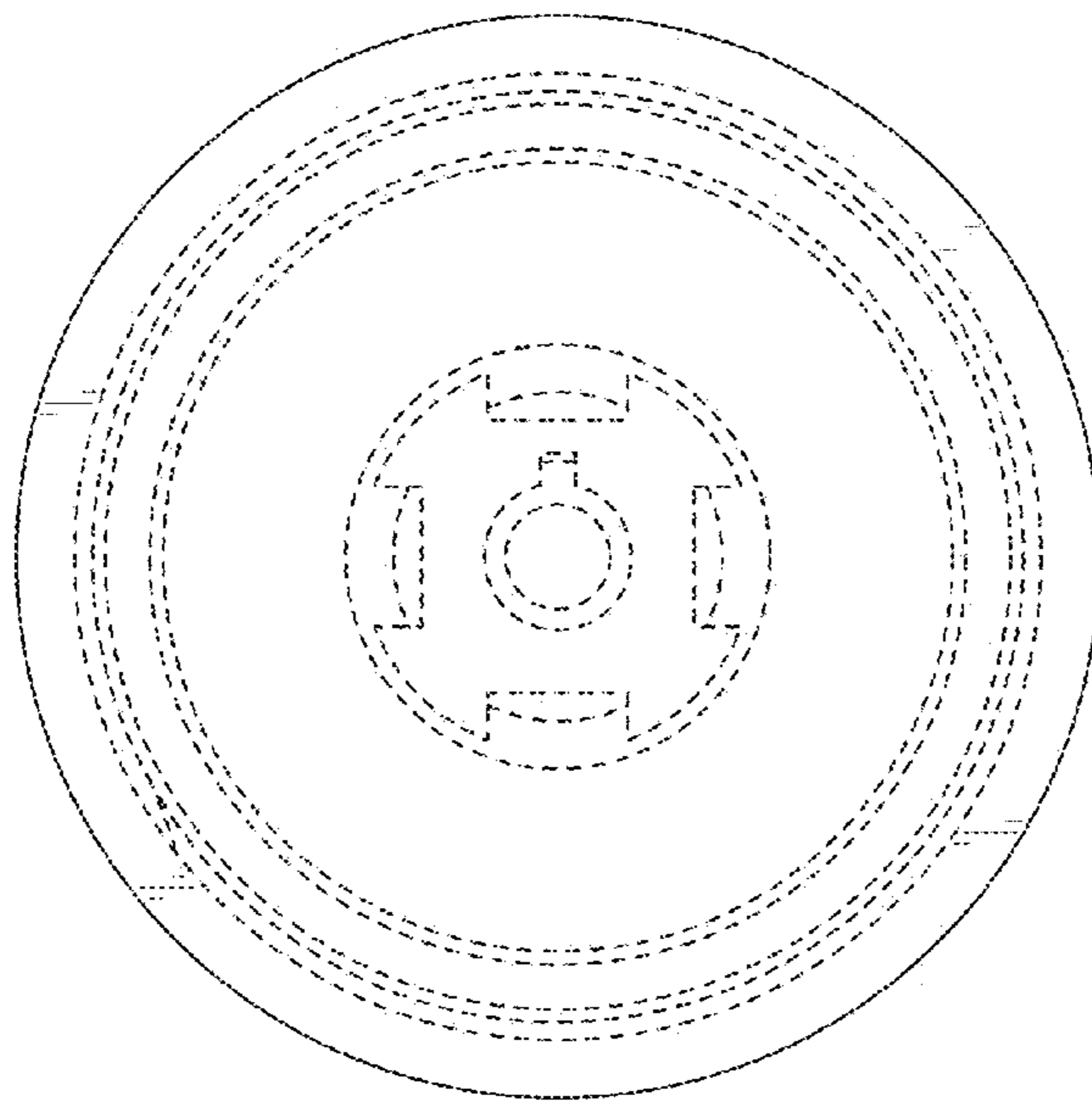


FIG. 5