



US00D761647S

(12) **United States Design Patent**  
**Bauer et al.**

(10) **Patent No.:** **US D761,647 S**  
(45) **Date of Patent:** **\*\* Jul. 19, 2016**

- (54) **LINER FOR CONTAINERS**
- (71) Applicant: **Medela Holding AG**, Baar (CH)
- (72) Inventors: **Ryan Bauer**, Fox River Grove, IL (US);  
**Amanda Miller**, McHenry, IL (US); **Jill M. Hunt**, Woodstock, IL (US)
- (73) Assignee: **Medela Holding AG**, Baar (CH)
- (\*\*) Term: **14 Years**
- (21) Appl. No.: **29/502,992**
- (22) Filed: **Sep. 22, 2014**

- 1,277,878 A \* 9/1918 Doherty ..... A01K 5/008  
119/65
- 1,285,148 A \* 11/1918 Harrison ..... A01K 5/008  
119/65
- 3,516,537 A \* 6/1970 Griffiths ..... B65D 75/5805  
206/497
- D379,654 S \* 6/1997 Holtermann ..... D24/118
- 6,085,941 A \* 7/2000 Pauser ..... B65D 75/58  
206/277

(Continued)

**OTHER PUBLICATIONS**

Medela. Waterless Milk Warmer. Jan. 11, 2012 [online], [site visited Sep. 16, 2015]. Available from Internet, <URL:http://www.medela.com/CA/en/breastfeeding-hospital/products/breastmilk-management/Waterless-Milk-Warmer.html>.\*

*Primary Examiner* — Robert M Spear  
*Assistant Examiner* — Darcey E Heflin

(74) *Attorney, Agent, or Firm* — McDonnell Boehnen Hulbert & Berghoff LLP

**Related U.S. Application Data**

- (63) Continuation of application No. 12/371,834, filed on Feb. 16, 2009.
- (51) **LOC (10) Cl.** ..... **09-07**
- (52) **U.S. Cl.**  
USPC ..... **D9/447**
- (58) **Field of Classification Search**  
USPC ..... D3/214, 216, 226, 229, 231, 319;  
D7/602, 605, 607, 608; D9/434-436,  
D9/440, 442, 443, 446, 447, 499, 600, 699,  
D9/703; D22/135; 119/65-69; 392/382;  
604/74; D24/118, 197, 199, 207, 230;  
206/170, 497; 200/495.03, 495.05,  
200/495.06, 592.12  
CPC ..... A01K 5/008; A61J 9/001; A61J 9/005;  
B65D 25/02; B65D 77/06; B65D 83/0055  
See application file for complete search history.

**CLAIM**

(57) The ornamental design for a liner for containers, as shown and described.

**DESCRIPTION**

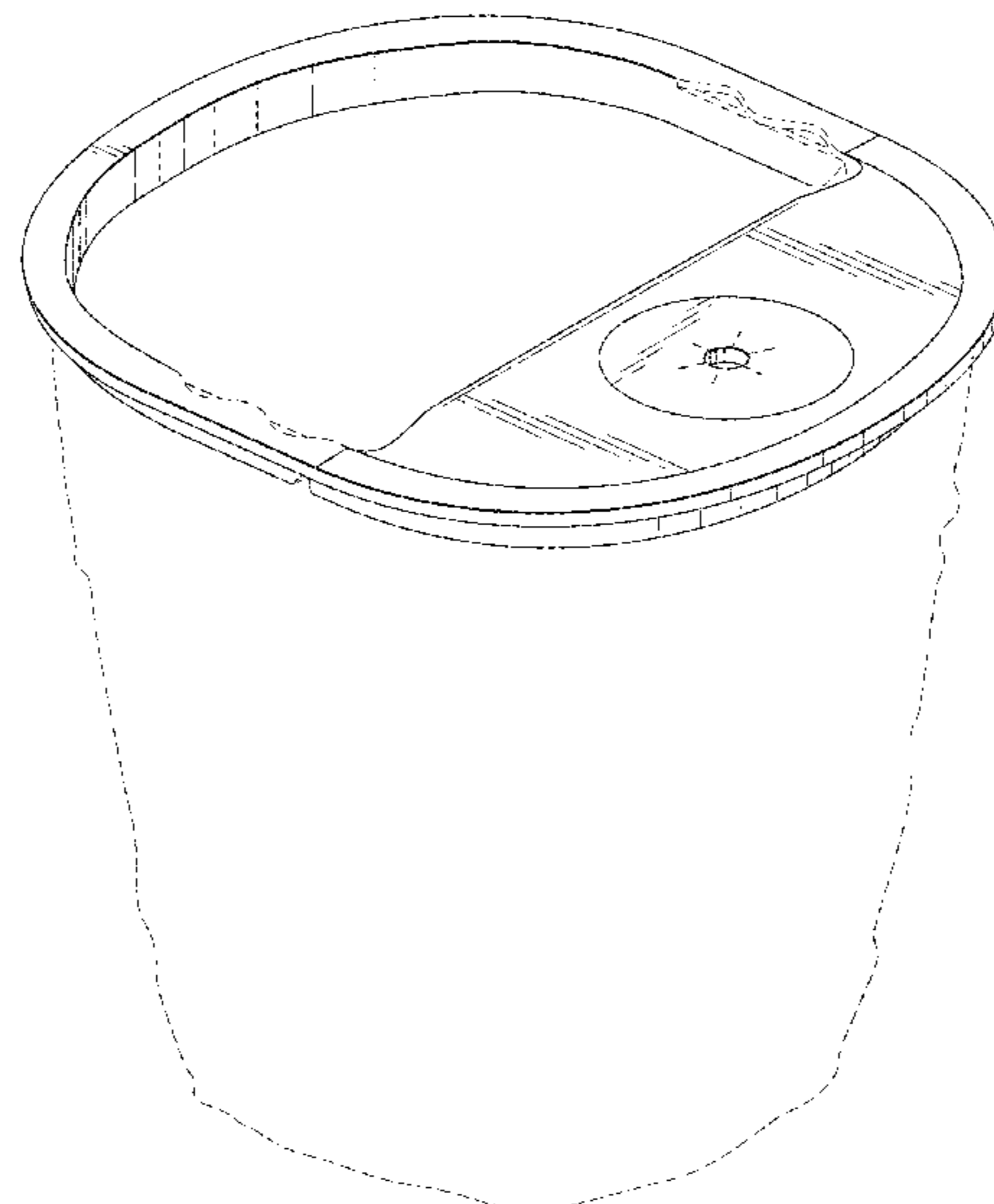
FIG. 1 is a perspective view of a liner for containers showing the design.  
FIG. 2 is a front plan view of the design of FIG. 1.  
FIG. 3 is a back plan view of the design of FIG. 1.  
FIG. 4 is a side view of the design of FIG. 1.  
FIG. 5 is a side view of the design of FIG. 1.  
FIG. 6 is a top plan view of the design of FIG. 1; and,  
FIG. 7 is a bottom view of the design of FIG. 1.  
In the drawings, the broken lines depict environmental subject matter only that forms no part of the claim.

(56) **References Cited**

**U.S. PATENT DOCUMENTS**

- 41,670 A \* 2/1864 Becher et al. .... A01K 5/008  
119/65
- 1,253,815 A \* 1/1918 Gurn ..... A01K 5/008  
119/65

**1 Claim, 7 Drawing Sheets**



# US D761,647 S

Page 2

(56)

## References Cited

### U.S. PATENT DOCUMENTS

D549,800 S *	8/2007	Corbett	.....	D22/135	2006/0074379 A1*	4/2006	Hunt	.....	A61J 9/005 604/74
D618,791 S *	6/2010	Schena	.....	D24/118	2009/0208193 A1*	8/2009	Bauer	.....	A61J 9/001 392/382
D668,914 S *	10/2012	Riedel	.....	D7/510	2014/0276629 A1*	9/2014	Bauer	.....	A61M 1/06 604/514
8,807,377 B2 *	8/2014	Corbett	.....	B65D 77/06 215/12.1	2014/0376894 A1*	12/2014	Bauer	.....	A61J 9/001 392/382
D736,080 S *	8/2015	Lavender	.....	D9/434	2015/0128867 A1*	5/2015	Keith	.....	A01K 5/01 119/65
D739,012 S *	9/2015	Hanuka	.....	D24/118					

\* cited by examiner

Fig. 1

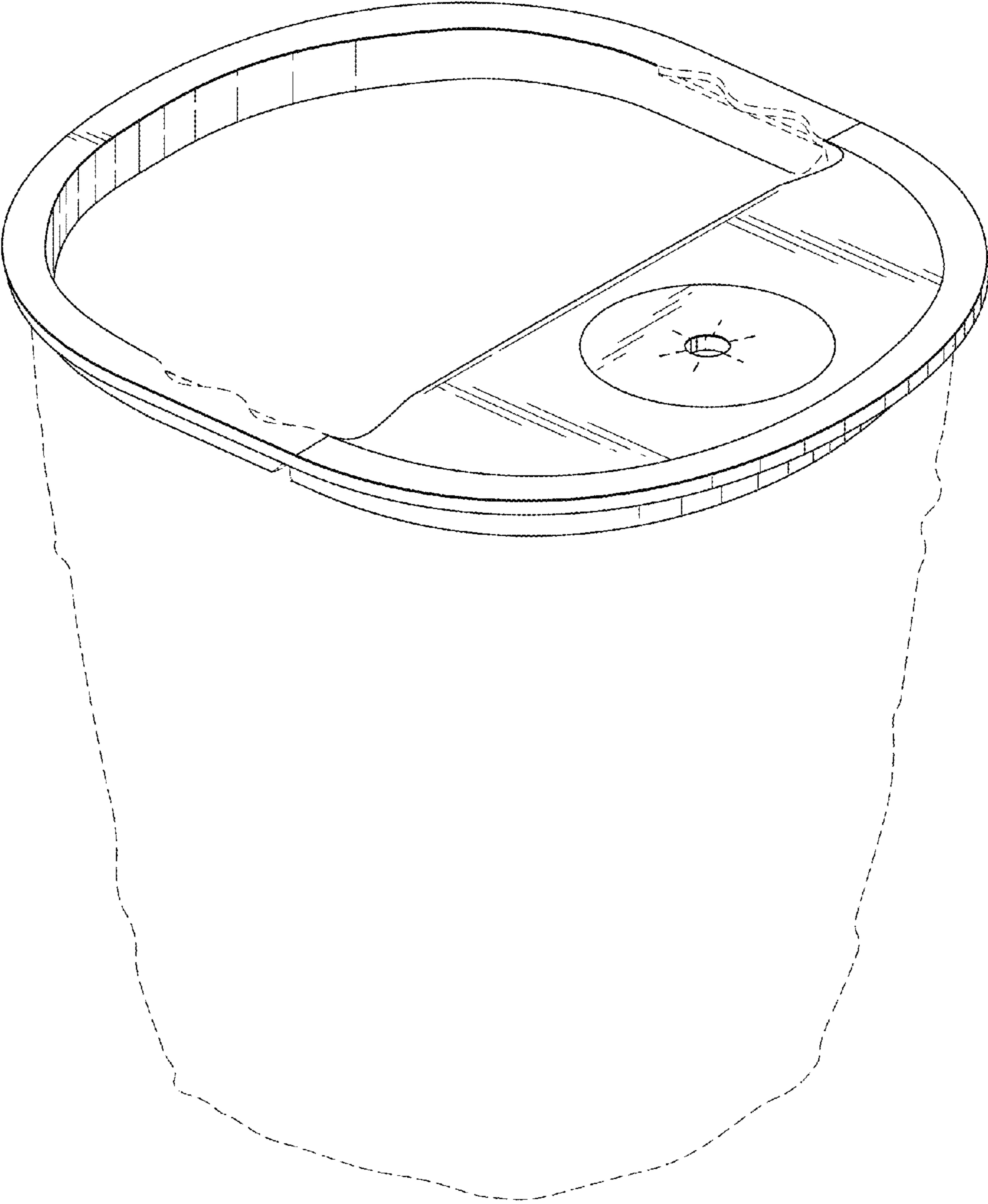


Fig. 2

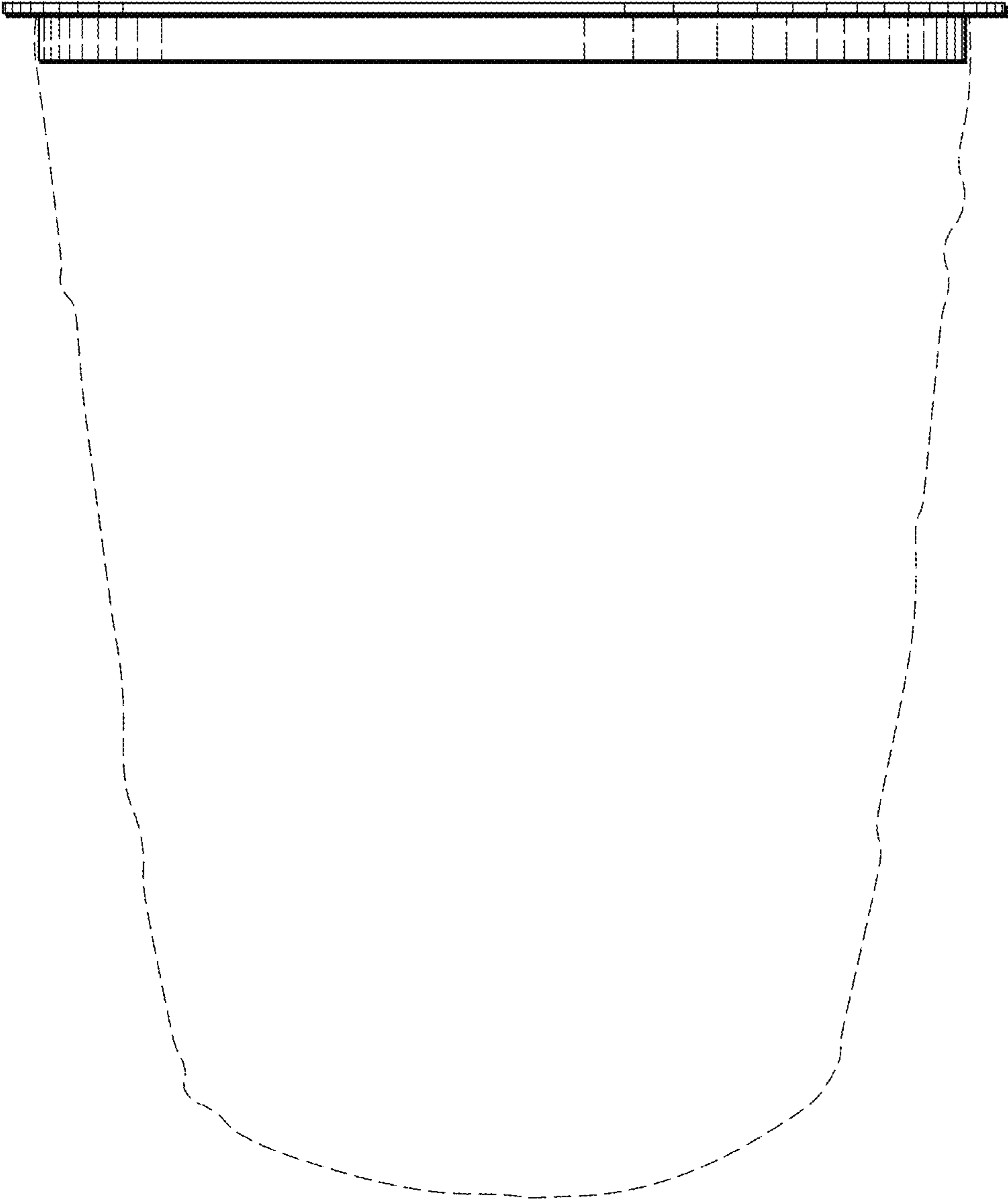


Fig. 3

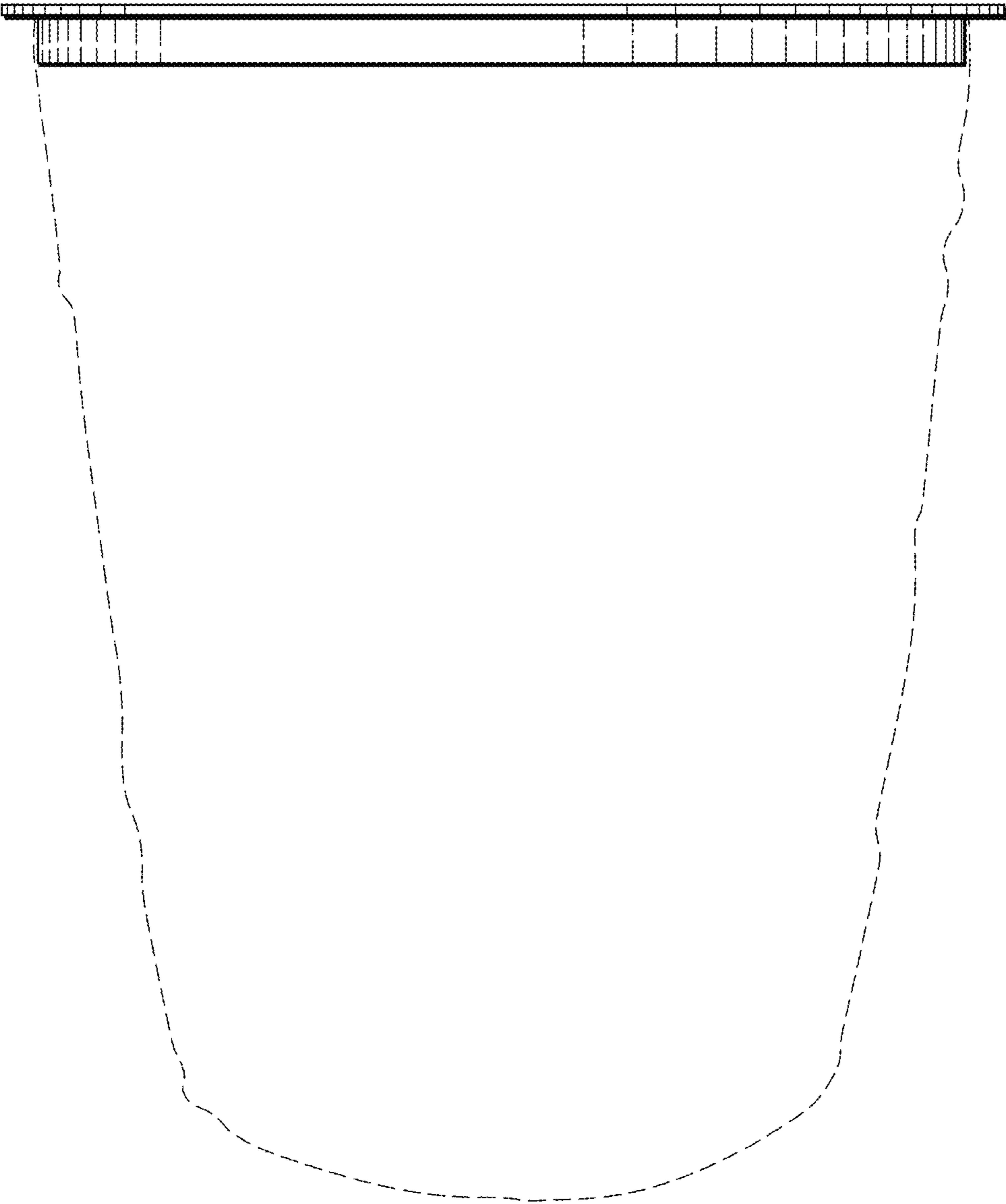


Fig. 4

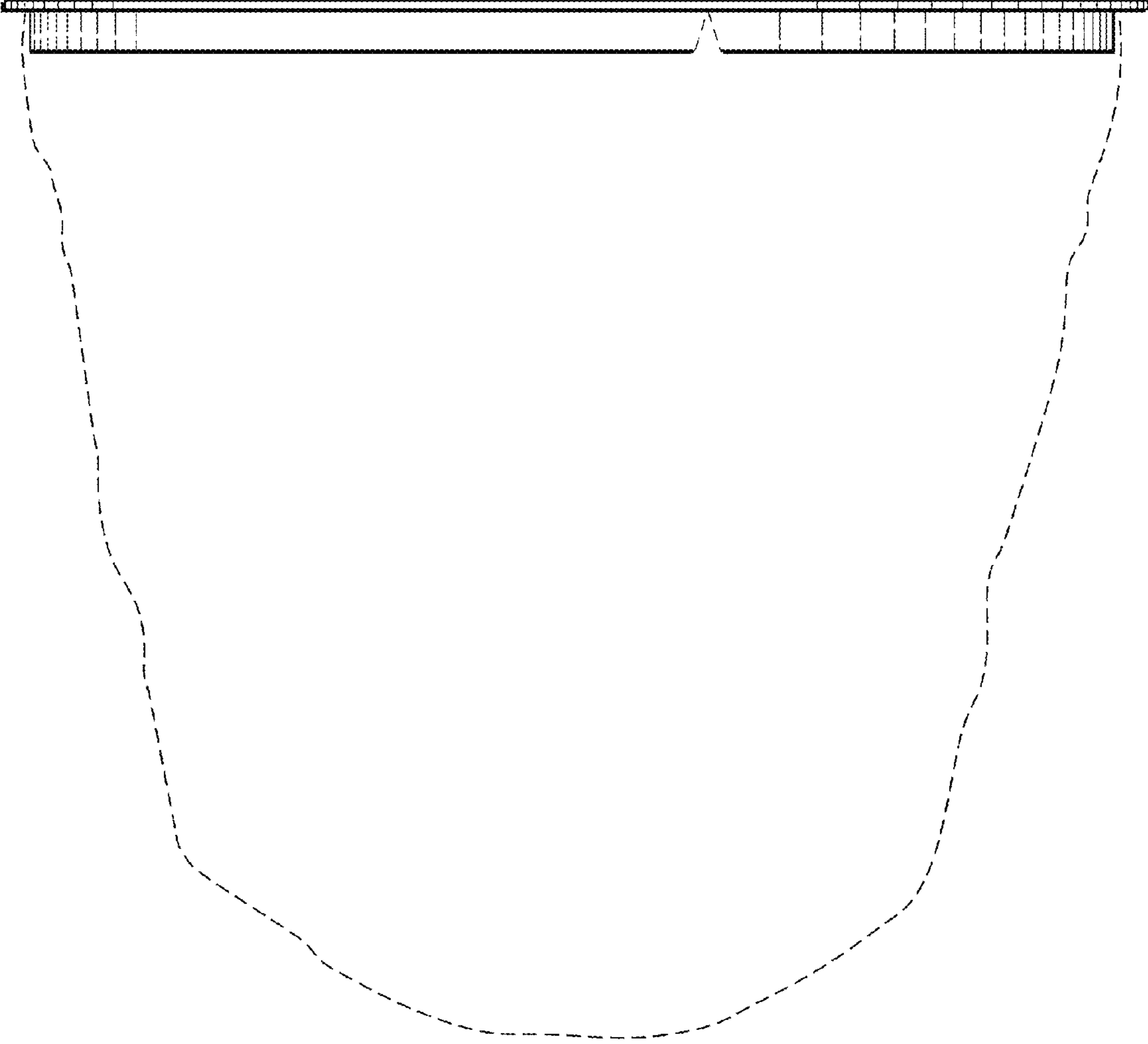


Fig. 5

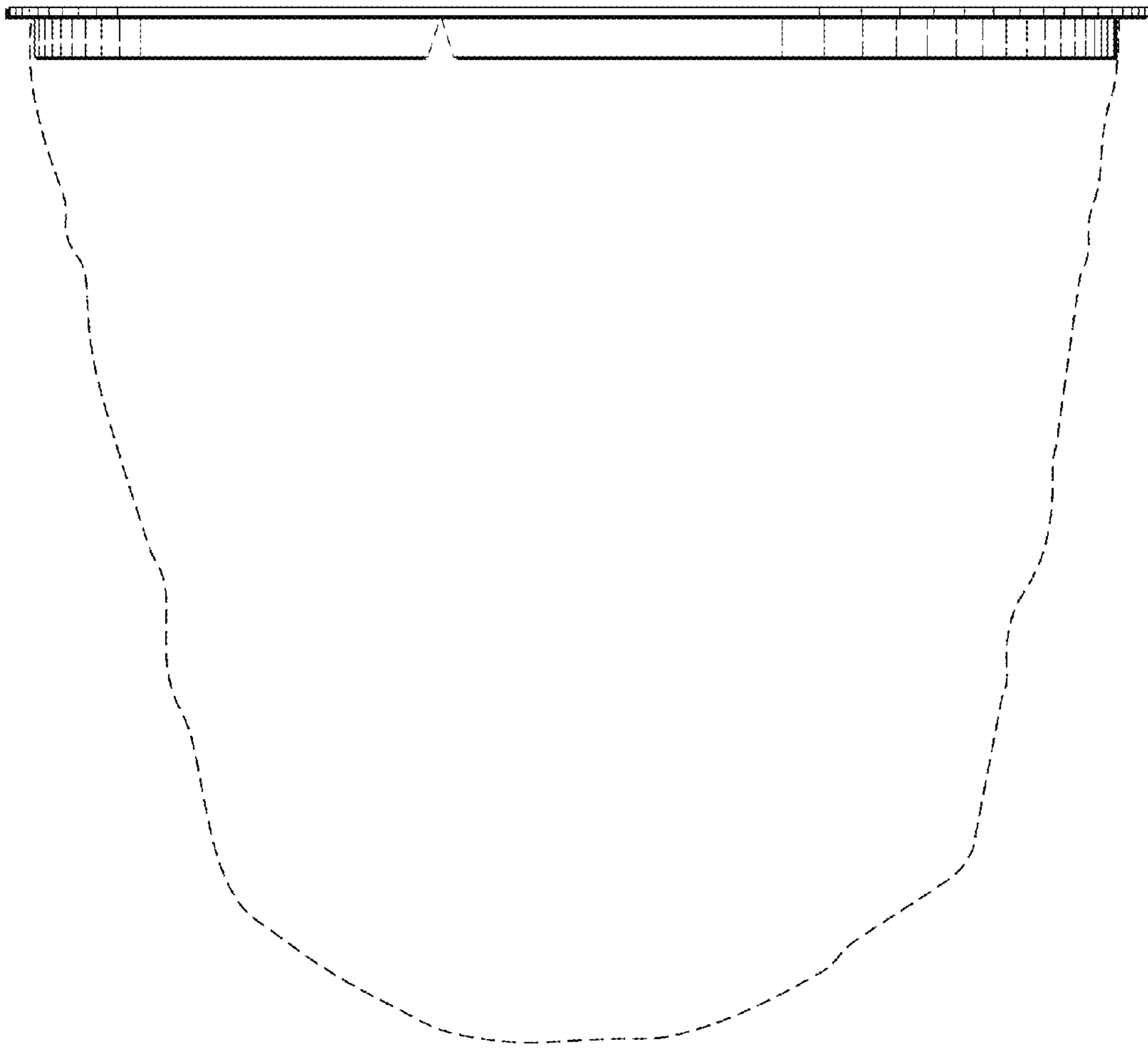


Fig. 6

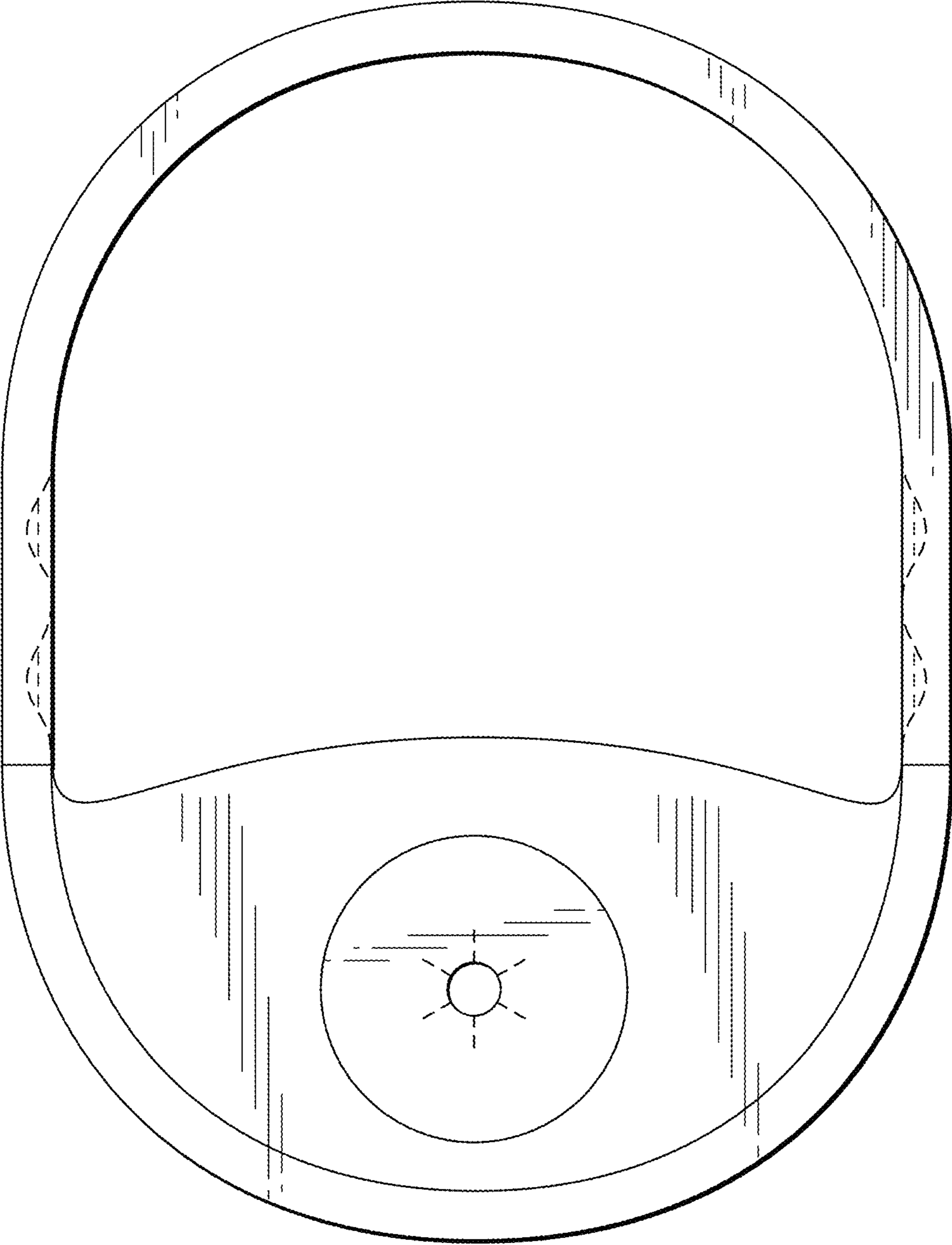




Fig. 7

