



US00D761646S

(12) **United States Design Patent**
Smith

(10) **Patent No.:** **US D761,646 S**
(45) **Date of Patent:** **** Jul. 19, 2016**

(54) **INFLATABLE BOX**

(71) Applicant: **Jack V. Smith**, Arden, NC (US)

(72) Inventor: **Jack V. Smith**, Arden, NC (US)

(**) Term: **14 Years**

(21) Appl. No.: **29/478,143**

(22) Filed: **Dec. 31, 2013**

(51) **LOC (10) Cl.** **09-03**

(52) **U.S. Cl.**
USPC **D9/414**

(58) **Field of Classification Search**
USPC D9/414–416, 423, 721, 432; 206/521;
229/117.17, 117.16; D7/371
CPC B65D 5/58; B65D 5/4608
See application file for complete search history.

(56) **References Cited**

U.S. PATENT DOCUMENTS

1,344,147 A * 6/1920 Potter 206/521
4,037,777 A * 7/1977 Maughan 229/117.17
D348,607 S * 7/1994 Young D9/423

(Continued)

Primary Examiner — Holly Baynham

Assistant Examiner — Rhea Shields

(74) *Attorney, Agent, or Firm* — Nicholas Pfeifer; Smith & Hopen, P. A.

(57) **CLAIM**

The ornamental design for an inflatable box, as substantially shown and described.

DESCRIPTION

The patent or application file contains at least one drawing executed in color. Copies of this patent or patent application publication with color drawing(s) will be provided by the Office upon request and payment of the necessary fee.

FIG. 1 is a perspective view of an inflatable box, showing the novel design prior to inflation of a bladder attached to the interior of a box;

FIG. 2 is a top view of the inflatable box design shown in FIG. 1;

FIG. 3 is a bottom view of the inflatable box design shown in FIG. 1;

FIG. 4 is a side view of the inflatable box design as shown in FIG. 1;

FIG. 5 is a side view of the inflatable box design as shown in FIG. 1;

FIG. 6 is a plan view of the inflatable box design as shown in FIG. 1;

FIG. 7 is a perspective view of the inflatable box design shown in FIG. 1 with the inflatable bladder detached from the interior of the box to provide greater view of the bladder design;

FIG. 8 is a top view of the inflatable box design lacking the box as shown in FIG. 7;

FIG. 9 is a bottom view of the inflatable box design lacking the box as shown in FIG. 7;

FIG. 10 is a side view of the inflatable box design lacking the box as shown in FIG. 7;

FIG. 11 is a side view of the inflatable box design lacking the box as shown in FIG. 7;

FIG. 12 is a plan view of the inflatable box design lacking the box as shown in FIG. 7;

FIG. 13 is a perspective view of a second embodiment of the inflatable box design, showing the novel design prior to inflation of the bladder attached to the interior of the box;

FIG. 14 is a top view of the second embodiment of the inflatable box design shown in FIG. 13;

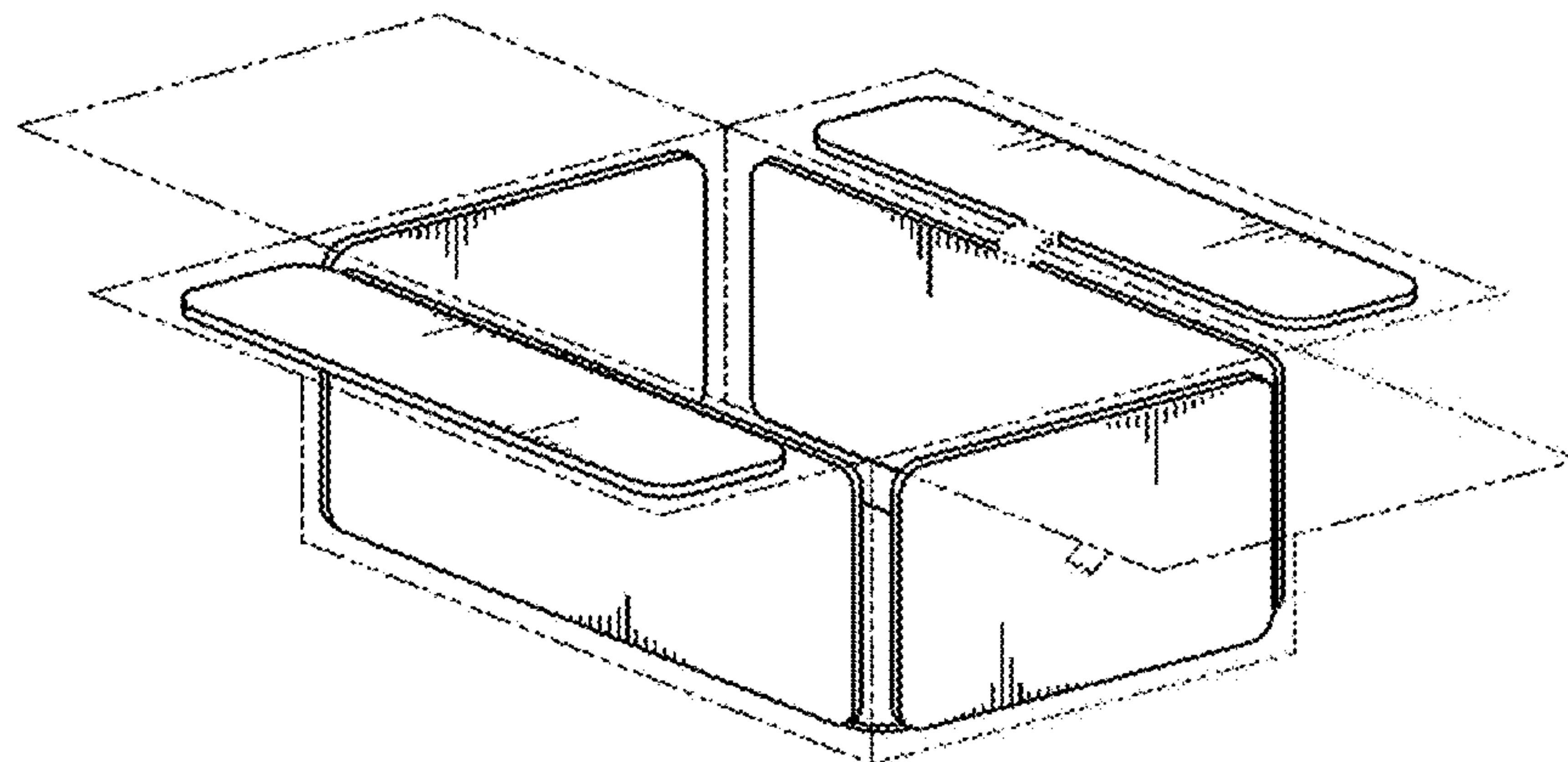
FIG. 15 is a bottom view of the second embodiment of the inflatable box design shown in FIG. 13;

FIG. 16 is a side view of the second embodiment of the inflatable box design as shown in FIG. 13; and,

FIG. 17 is a plan view of the second embodiment of the inflatable box design as shown in FIG. 13.

In the drawings, the dot-dot-dash broken lines are for the purpose of illustrating environment only and form no part of the claimed design.

1 Claim, 12 Drawing Sheets
(2 of 12 Drawing Sheet(s) Filed in Color)



US D761,646 S

Page 2

(56)

References Cited

U.S. PATENT DOCUMENTS

D549,519 S * 8/2007 Moon et al. D7/391
D638,307 S * 5/2011 Rossi et al. D9/721
D680,448 S * 4/2013 Gumruk D9/721

D708,941 S * 7/2014 Das D9/432
D709,364 S * 7/2014 Olsson et al. D9/432
D724,940 S * 3/2015 Kim et al. D9/423
2014/0054359 A1 * 2/2014 Benigni et al. 229/117.16

* cited by examiner

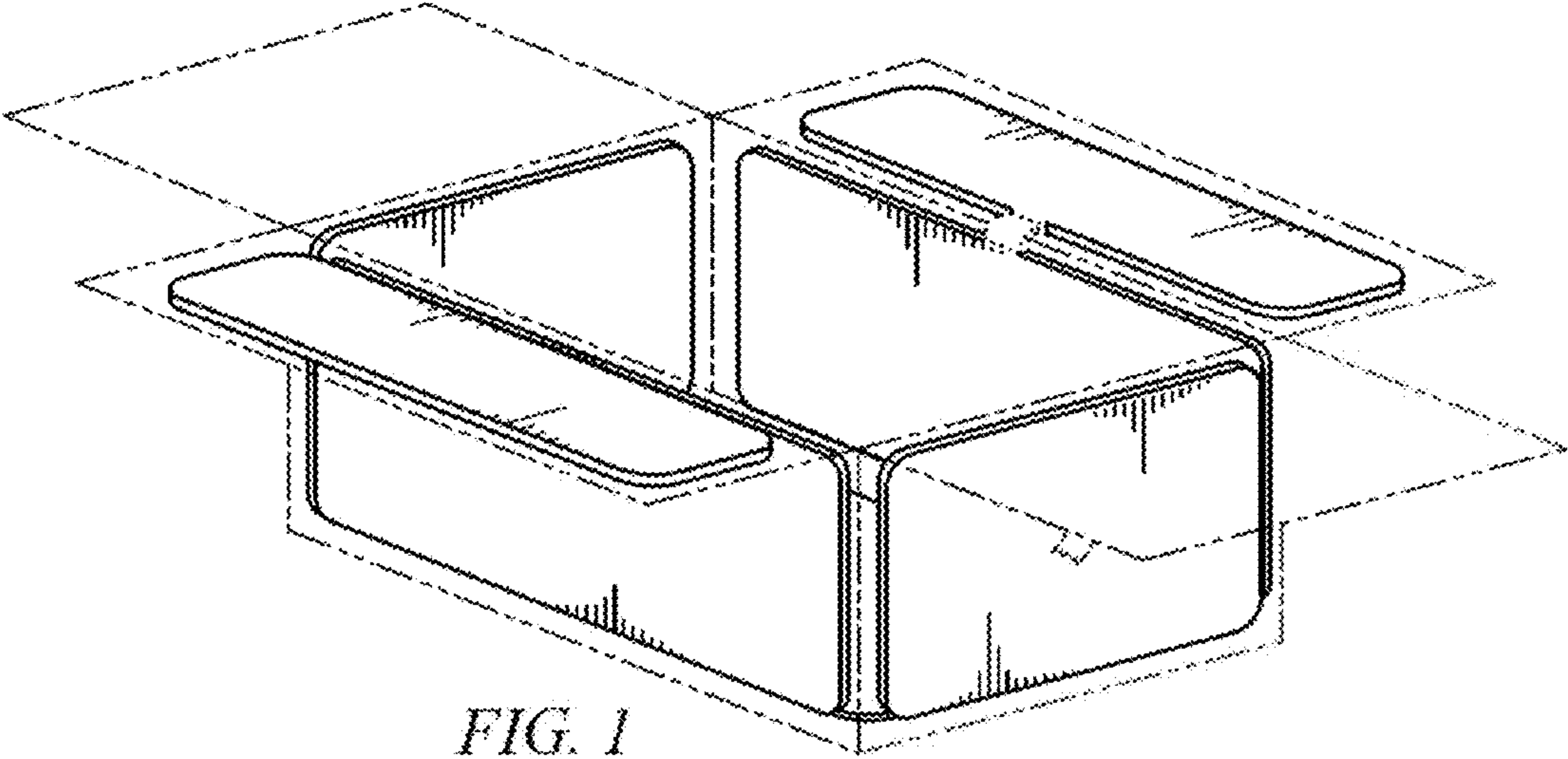


FIG. 1

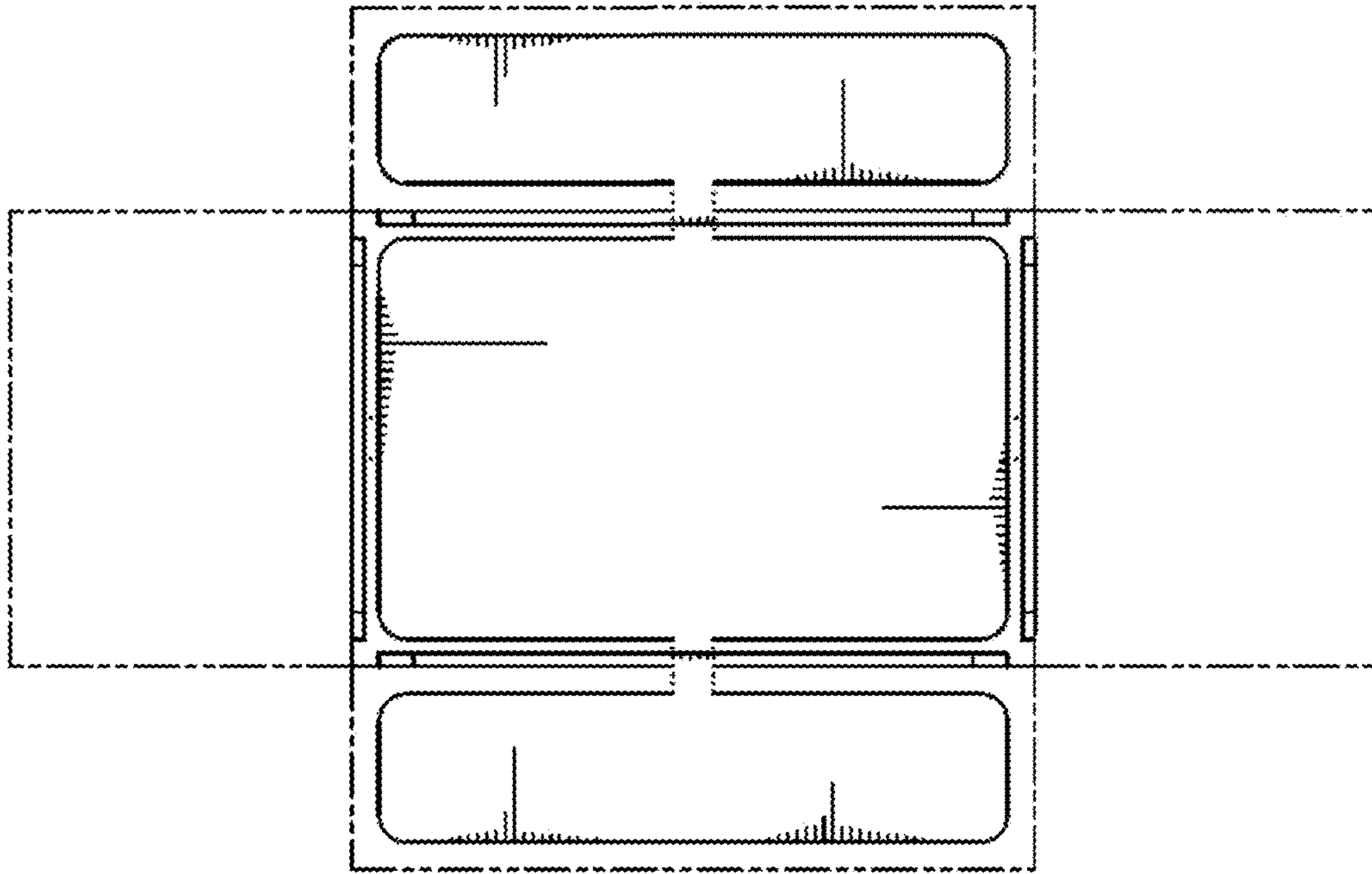


FIG. 2

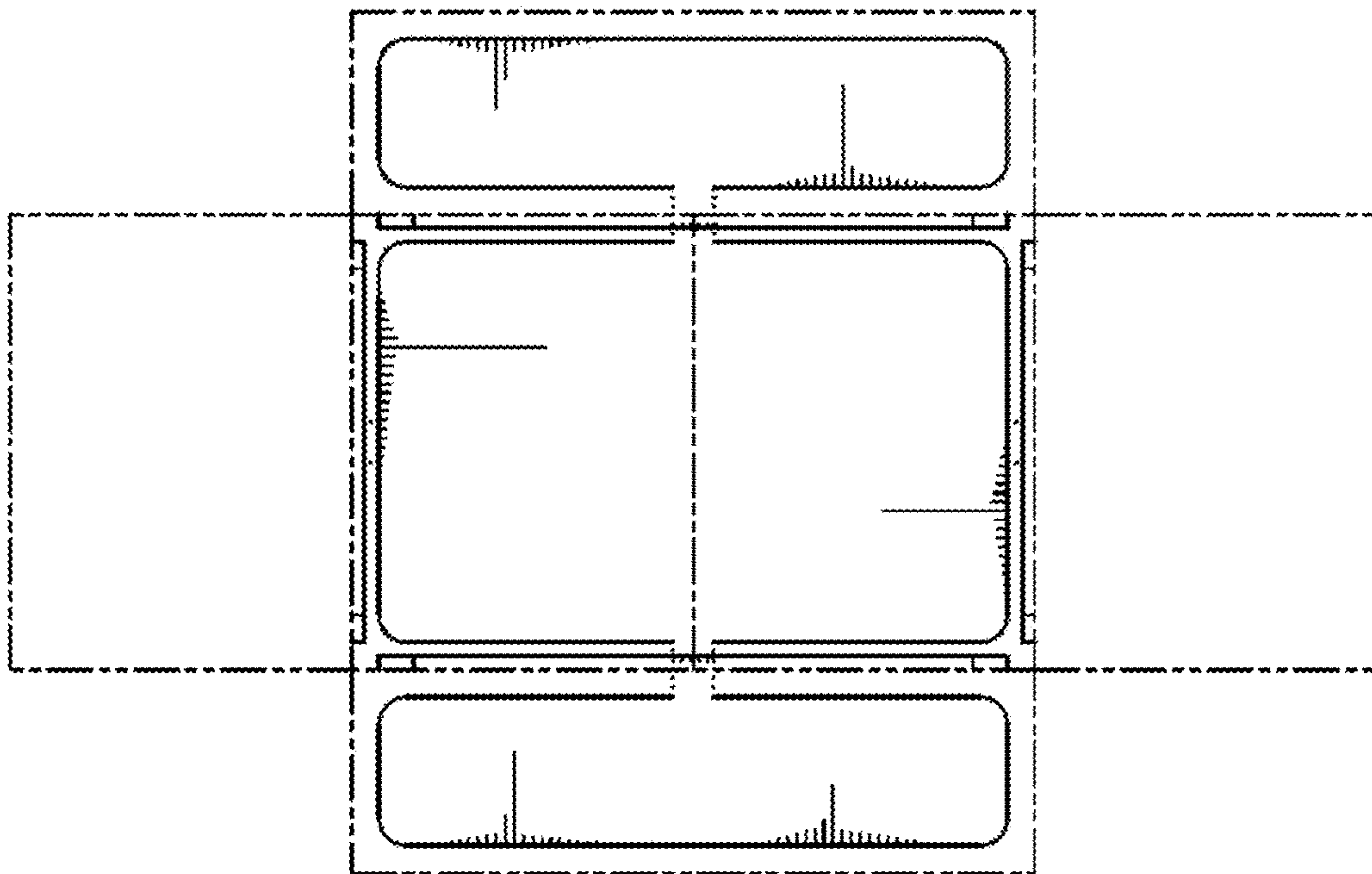


FIG. 3



FIG. 4

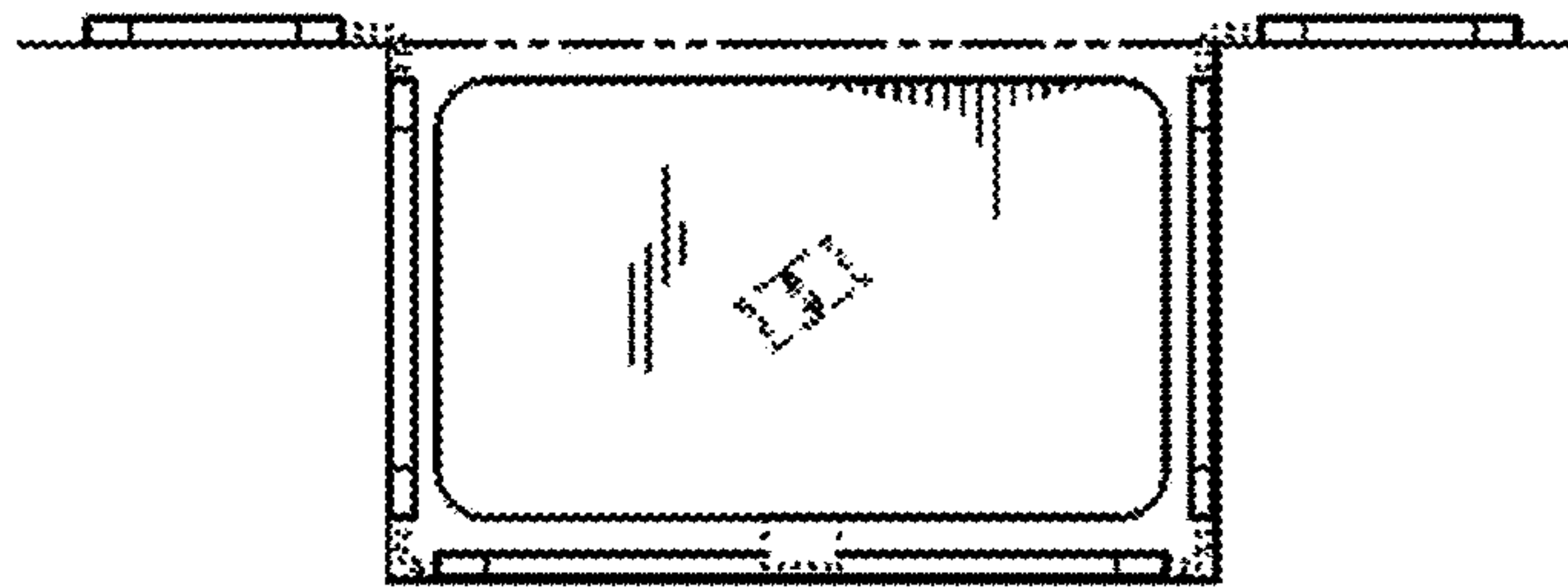


FIG. 5

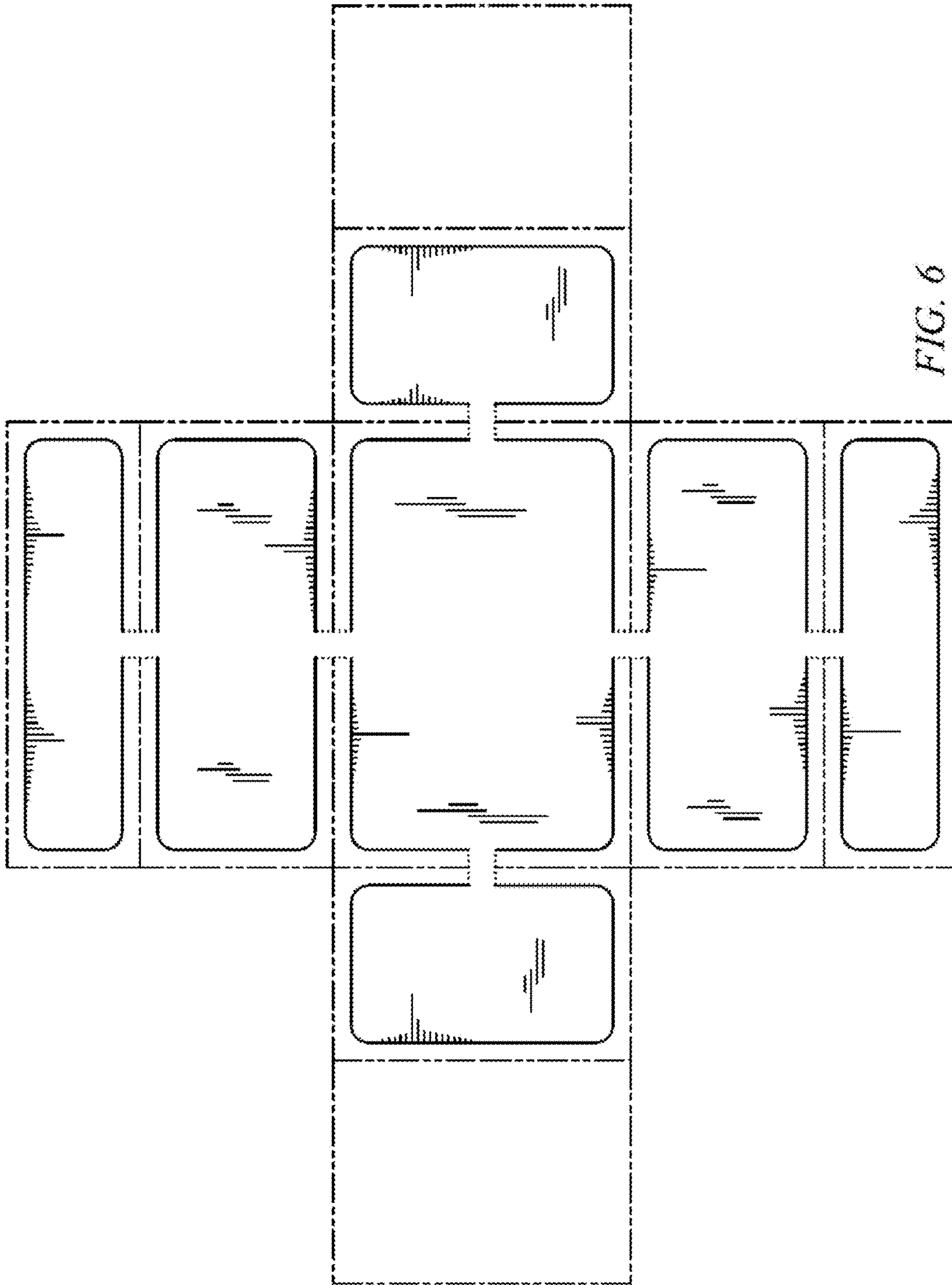


FIG. 6

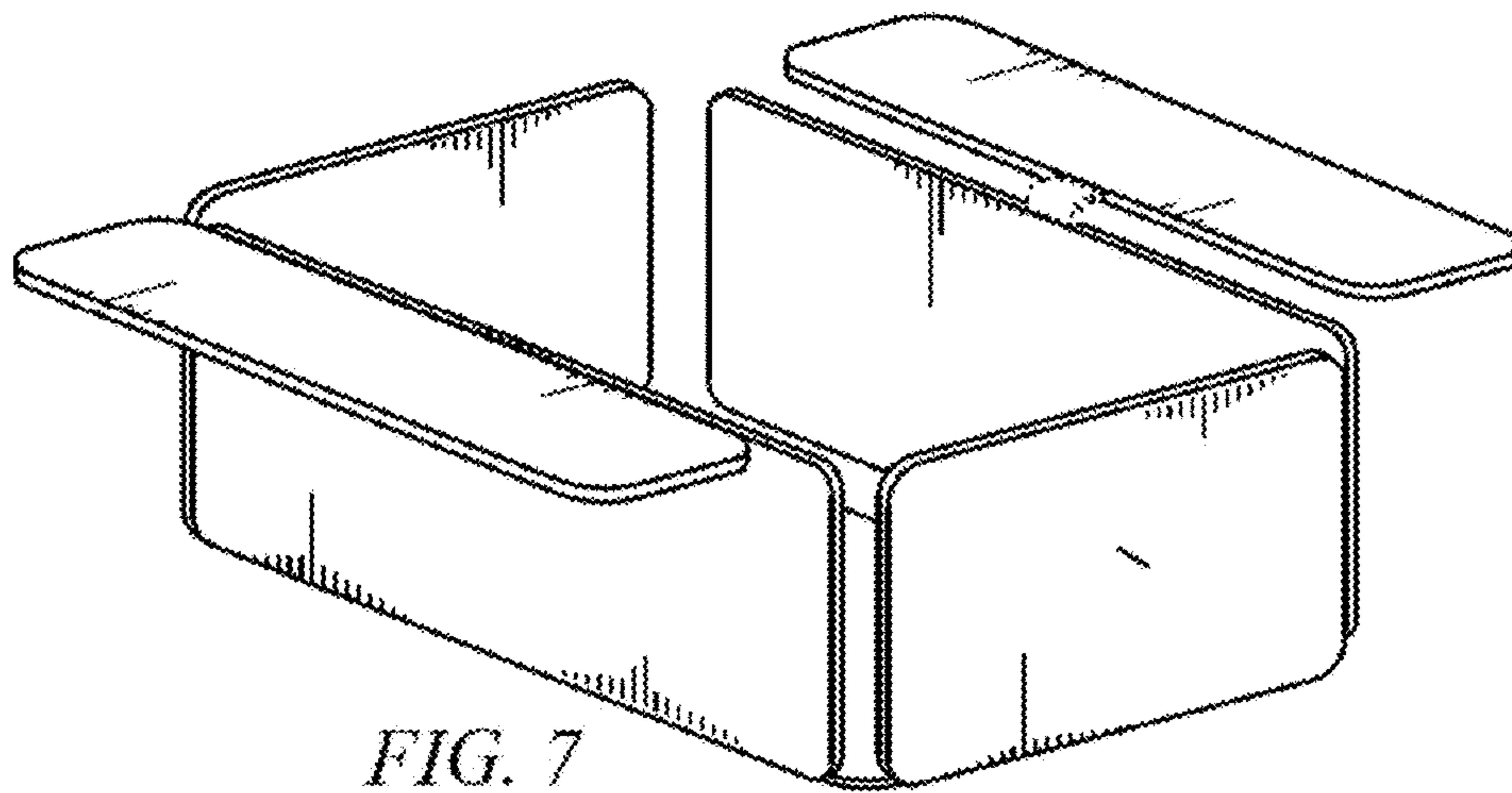


FIG. 7

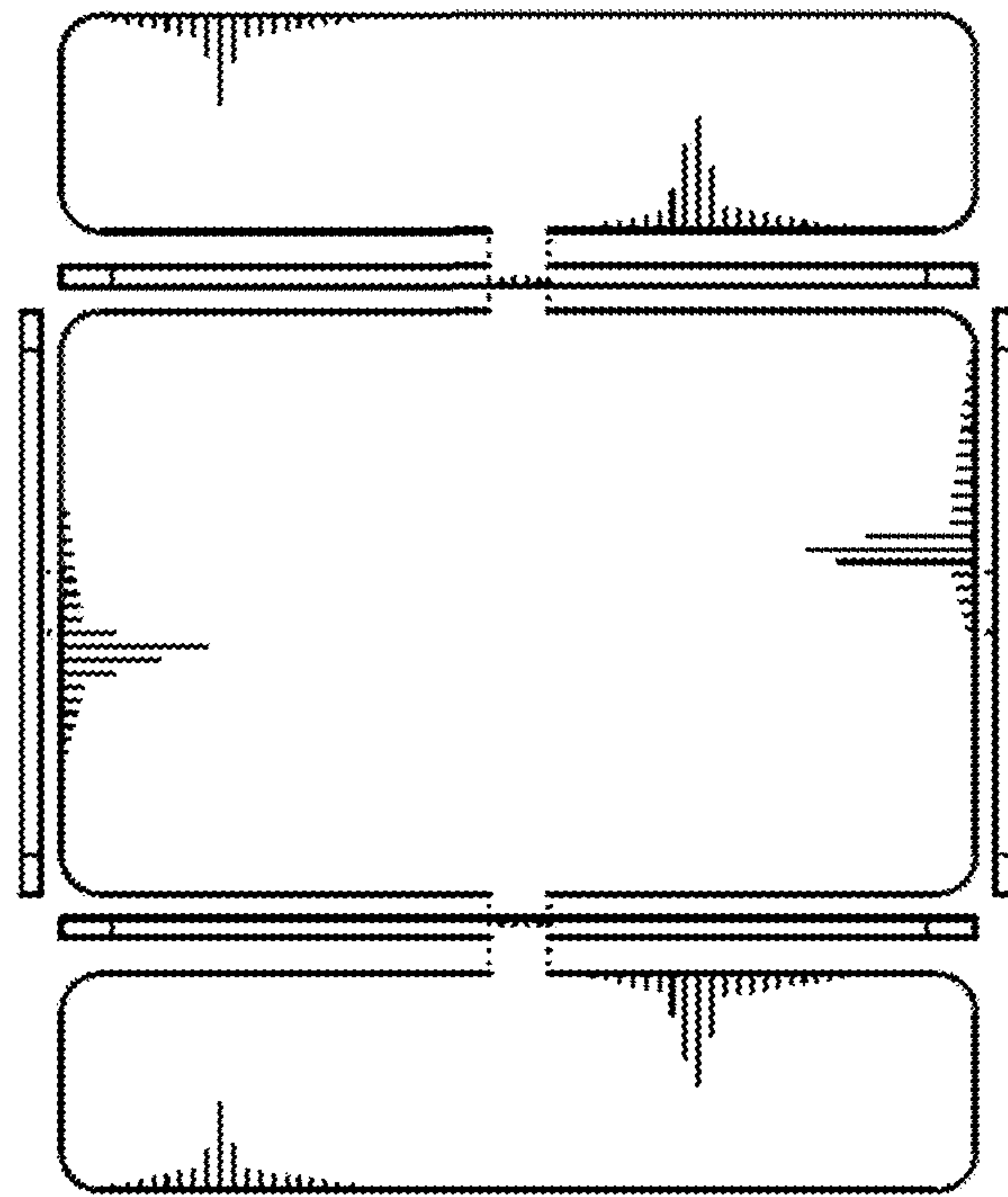


FIG. 8

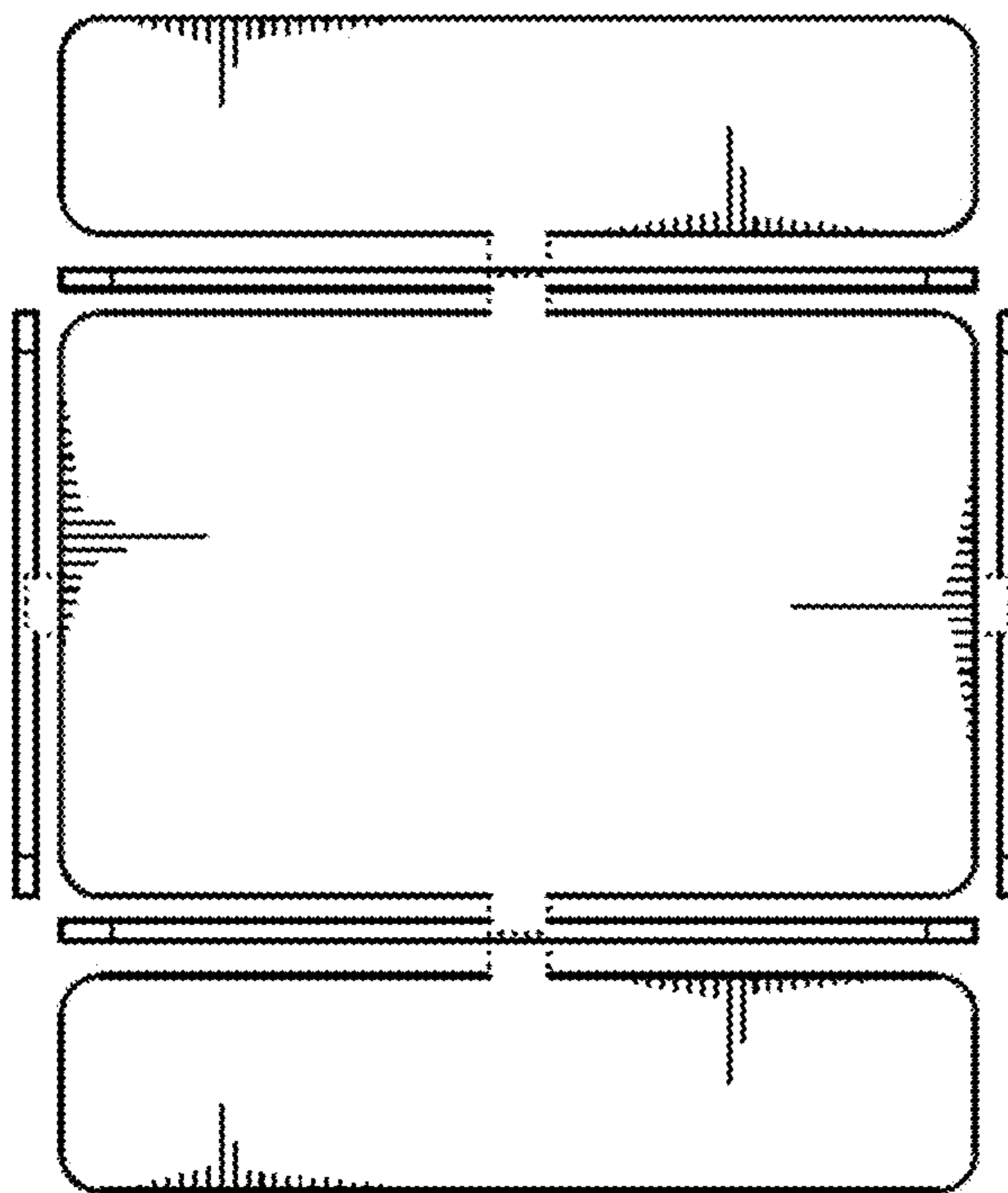


FIG. 9

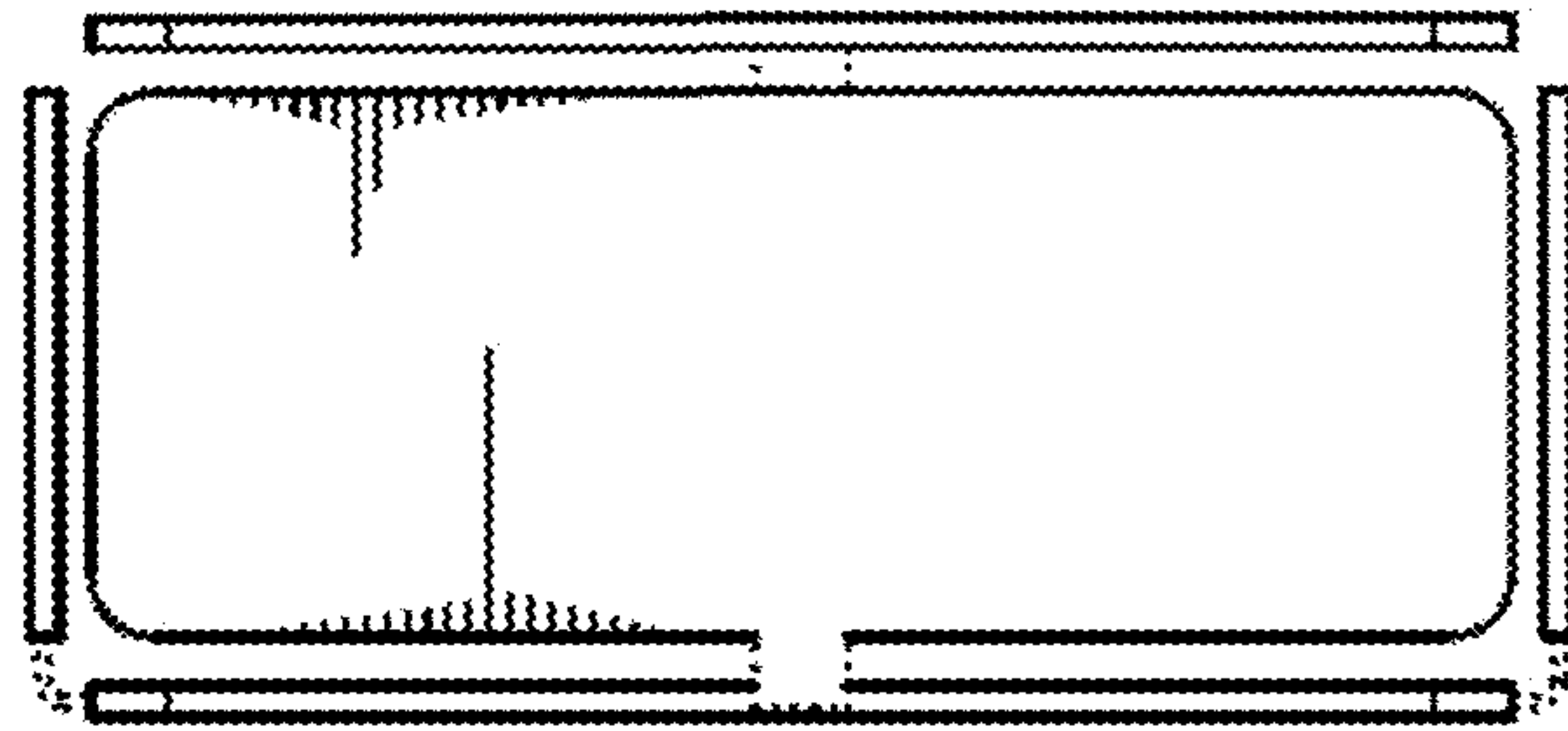


FIG. 10

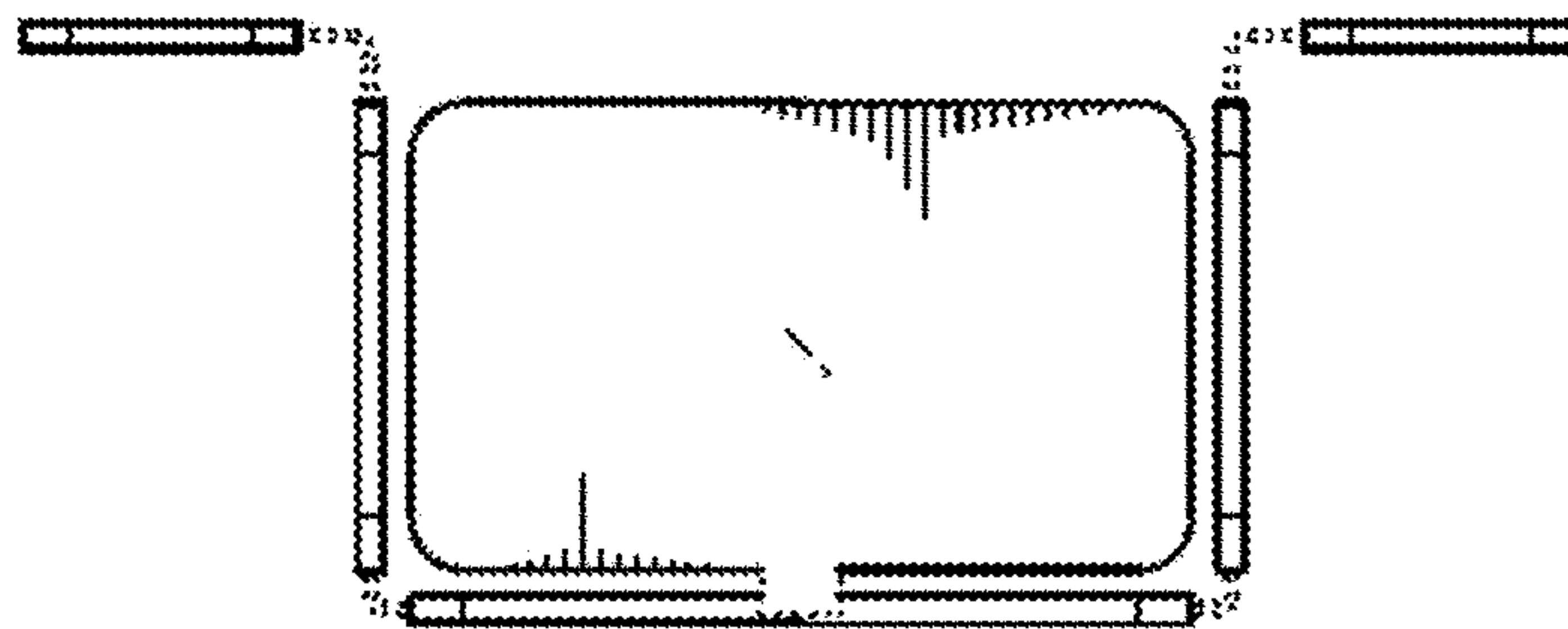


FIG. 11

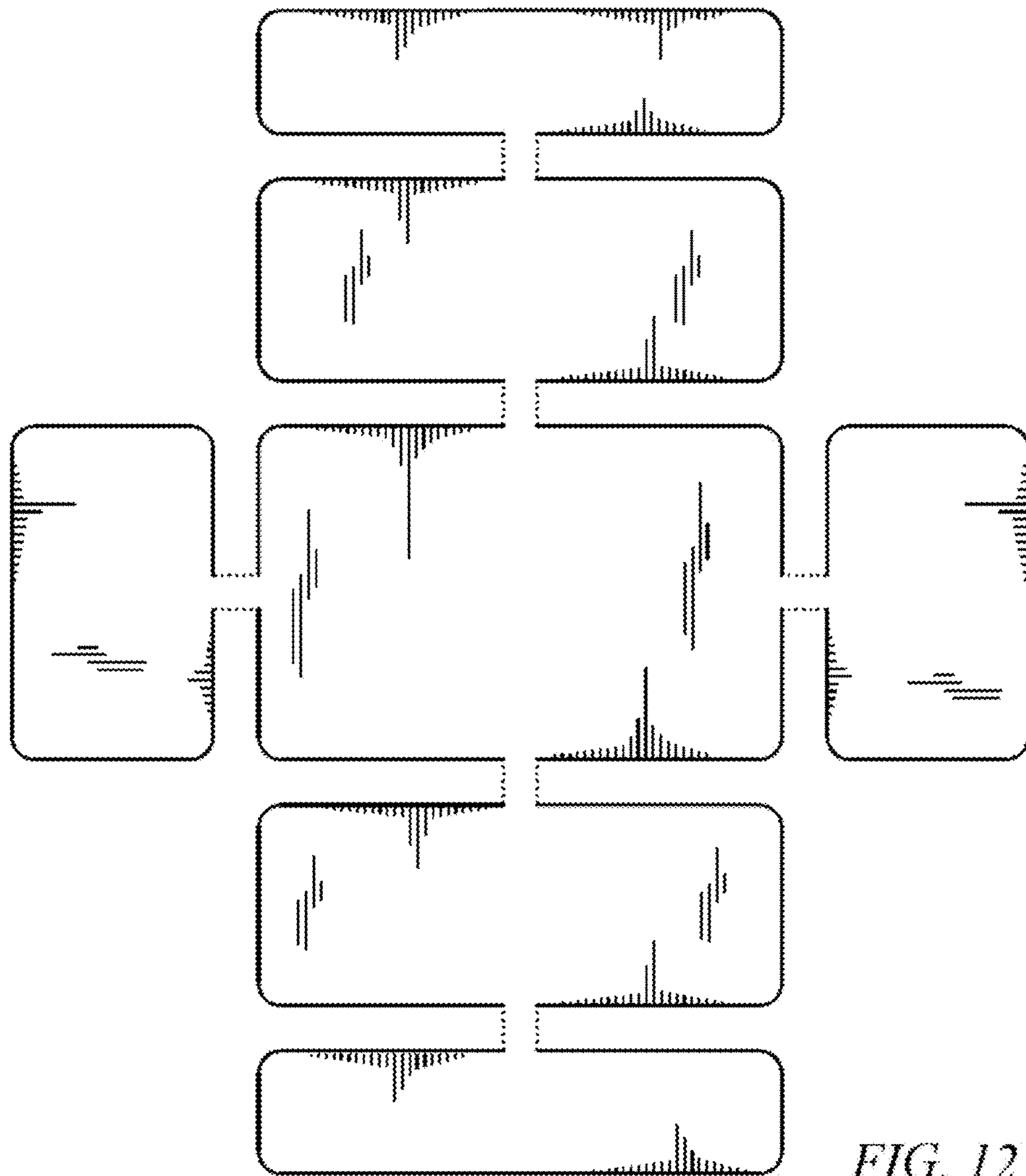


FIG. 12

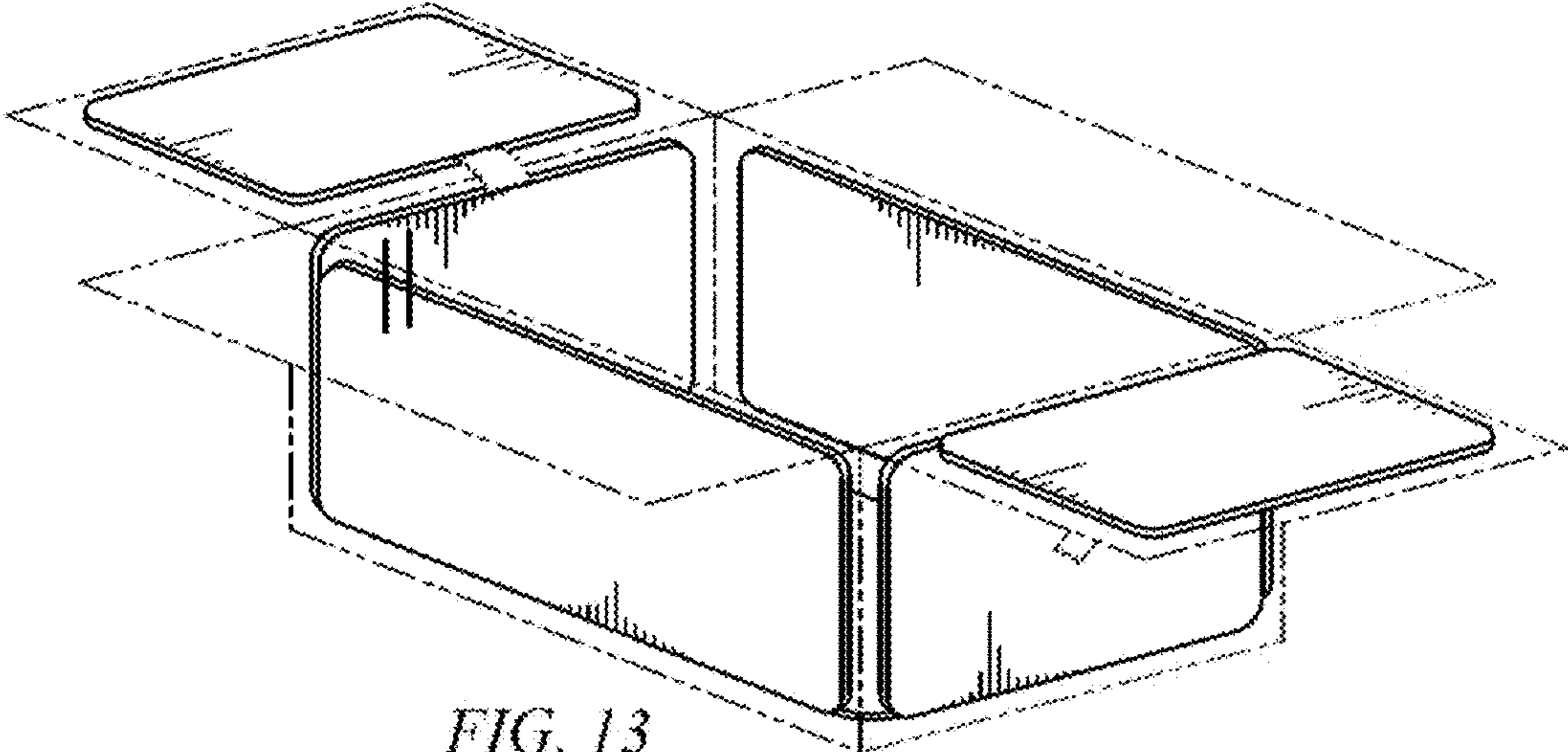


FIG. 13

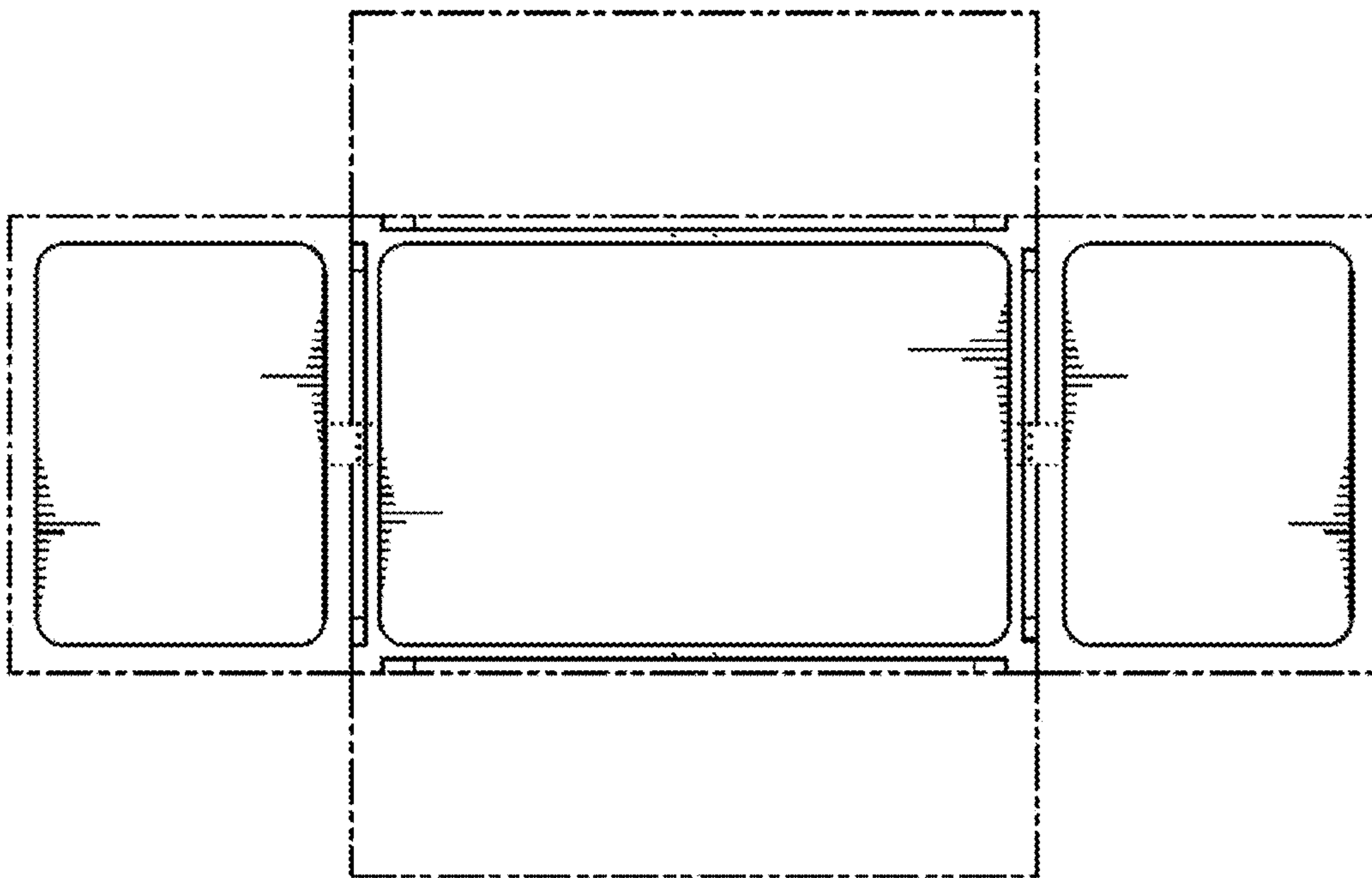


FIG. 14

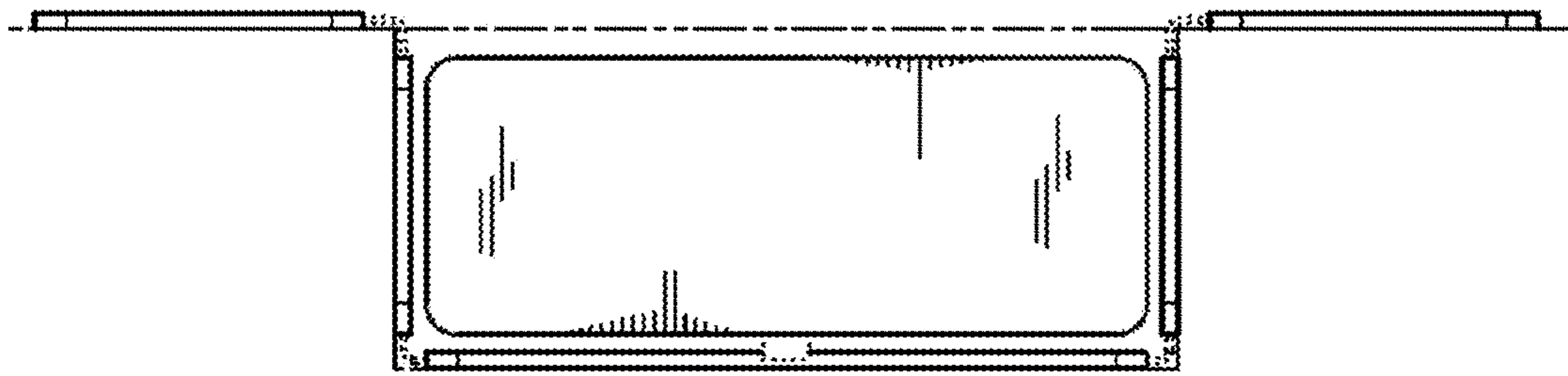


FIG. 15

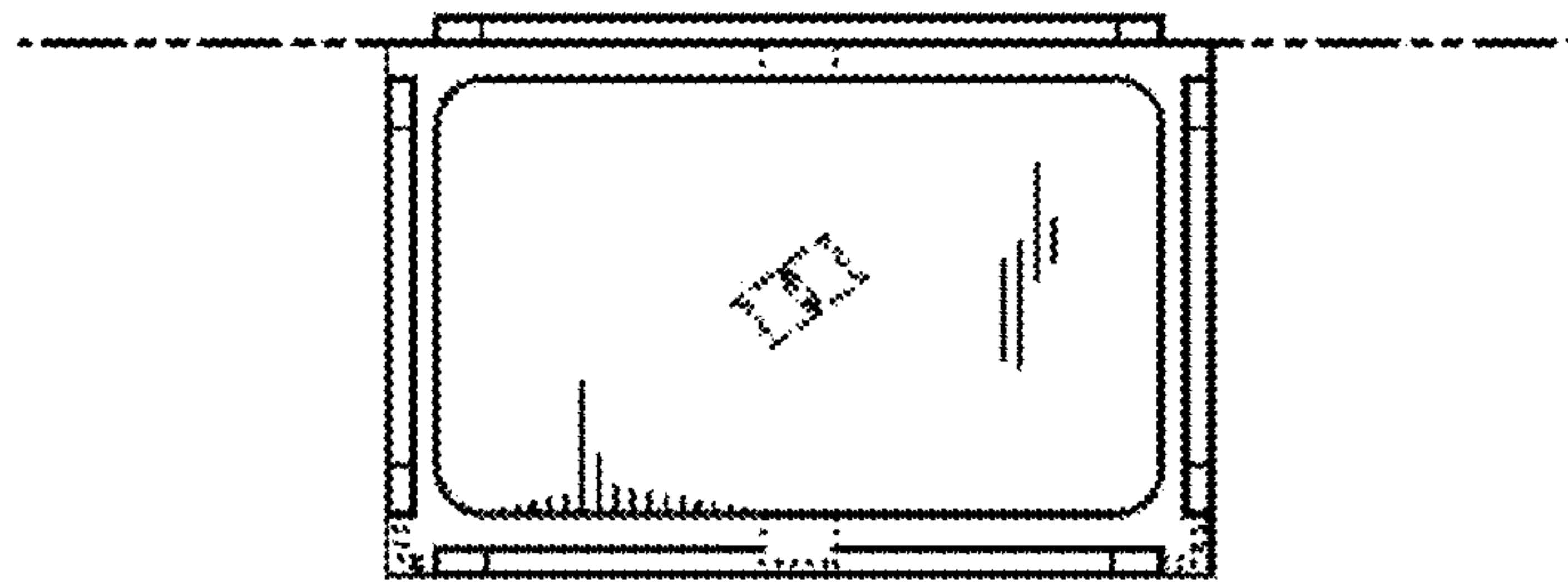


FIG. 16

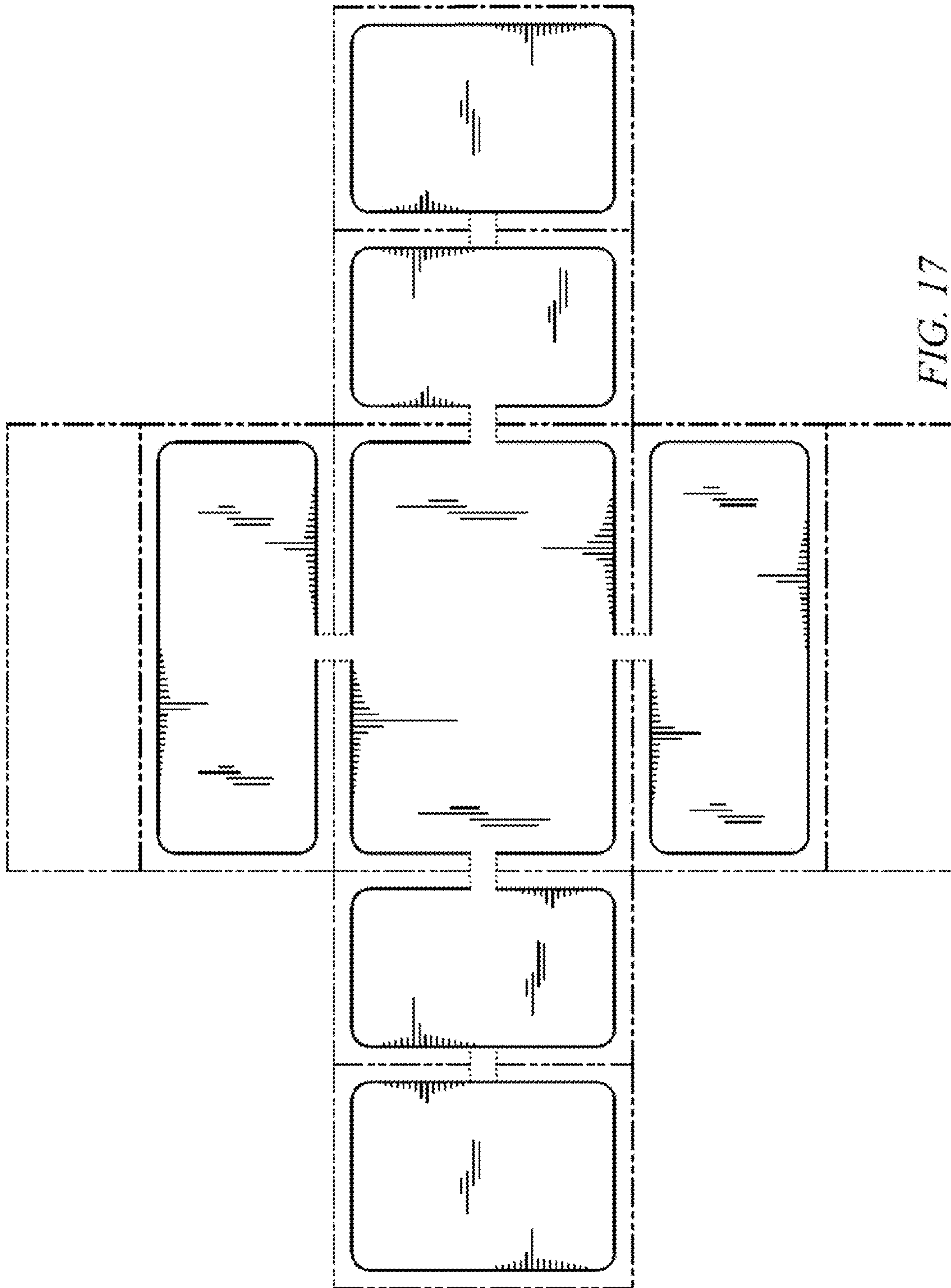


FIG. 17