



US00D761644S

(12) **United States Design Patent**  
**Papafagos**

(10) **Patent No.:** **US D761,644 S**  
(45) **Date of Patent:** **\*\* Jul. 19, 2016**

(54) **FOUR HOLE CLAMP**

(71) Applicant: **Tectran Mfg. Inc.**, Cheektowaga, NY  
(US)

(72) Inventor: **James C. Papafagos**, North Java, NY  
(US)

(73) Assignee: **Tectran Mfg. Inc.**, Cheektowaga, NY  
(US)

(\*\*) Term: **14 Years**

(21) Appl. No.: **29/507,270**

(22) Filed: **Oct. 24, 2014**

(51) **LOC (10) Cl.** ..... **08-08**

(52) **U.S. Cl.**  
USPC ..... **D8/396**

(58) **Field of Classification Search**  
USPC ..... D8/394-396, 71-74, 499, 354-355  
CPC ..... D06F 55/00; A41B 3/08; A41F 15/02;  
F16B 19/1081; G09F 3/14; B42F 1/006;  
B42F 1/08; B42F 9/001; A47F 7/02  
See application file for complete search history.

(56) **References Cited**

**U.S. PATENT DOCUMENTS**

D49,673 S	9/1916	Pleister	
2,366,041 A *	12/1944	Morhouse	F16L 3/1233 24/564
D190,429 S	5/1961	Hoagland	
3,421,187 A *	1/1969	Ryder	F16L 3/2235 248/74.3
3,521,332 A	7/1970	Kramer	
D230,826 S *	3/1974	Menshen	D8/396
D234,204 S *	1/1975	Miller et al.	24/487
3,894,706 A	7/1975	Mizusawa	
D236,250 S *	8/1975	Walton	D13/154
4,024,604 A	5/1977	Klimek et al.	
4,089,087 A *	5/1978	Heitman	F16L 3/2235 24/329

4,148,113 A	4/1979	Dvorachek	
4,244,544 A	1/1981	Kornat	
D269,851 S *	7/1983	Kimura	D8/356
4,550,891 A	11/1985	Schaty	
4,769,876 A	9/1988	Platt	
D311,487 S *	10/1990	Platt	D8/356

(Continued)

**FOREIGN PATENT DOCUMENTS**

CN	3642182	*	5/2007
CN	300707820	*	11/2007

**OTHER PUBLICATIONS**

Wheel Loader Parts,Clamp,LiuGong Clamp Parts,LiuGong Parts  
Gold Supplier,LiuGongStore.COM, website copyright 2015, online,  
<http://www.liugongstore.com/Wheel-Loader-Parts/CLAMP/>, [site  
visited Aug. 13, 2015 4:56:45 PM].\*

*Primary Examiner* — John Windmuller

*Assistant Examiner* — John R Yeh

(74) *Attorney, Agent, or Firm* — David C. Robertson; Verrill  
Dana, LLP

(57) **CLAIM**

Applicants claim the ornamental design for a four hole clamp,  
as shown and described.

**DESCRIPTION**

FIG. 1 is a perspective view of the four hole clamp showing  
the new design.

FIG. 2 is a front elevation view thereof.

FIG. 3 is a rear elevation view thereof.

FIG. 4 is a left side elevation view thereof.

FIG. 5 is a right side elevation view thereof.

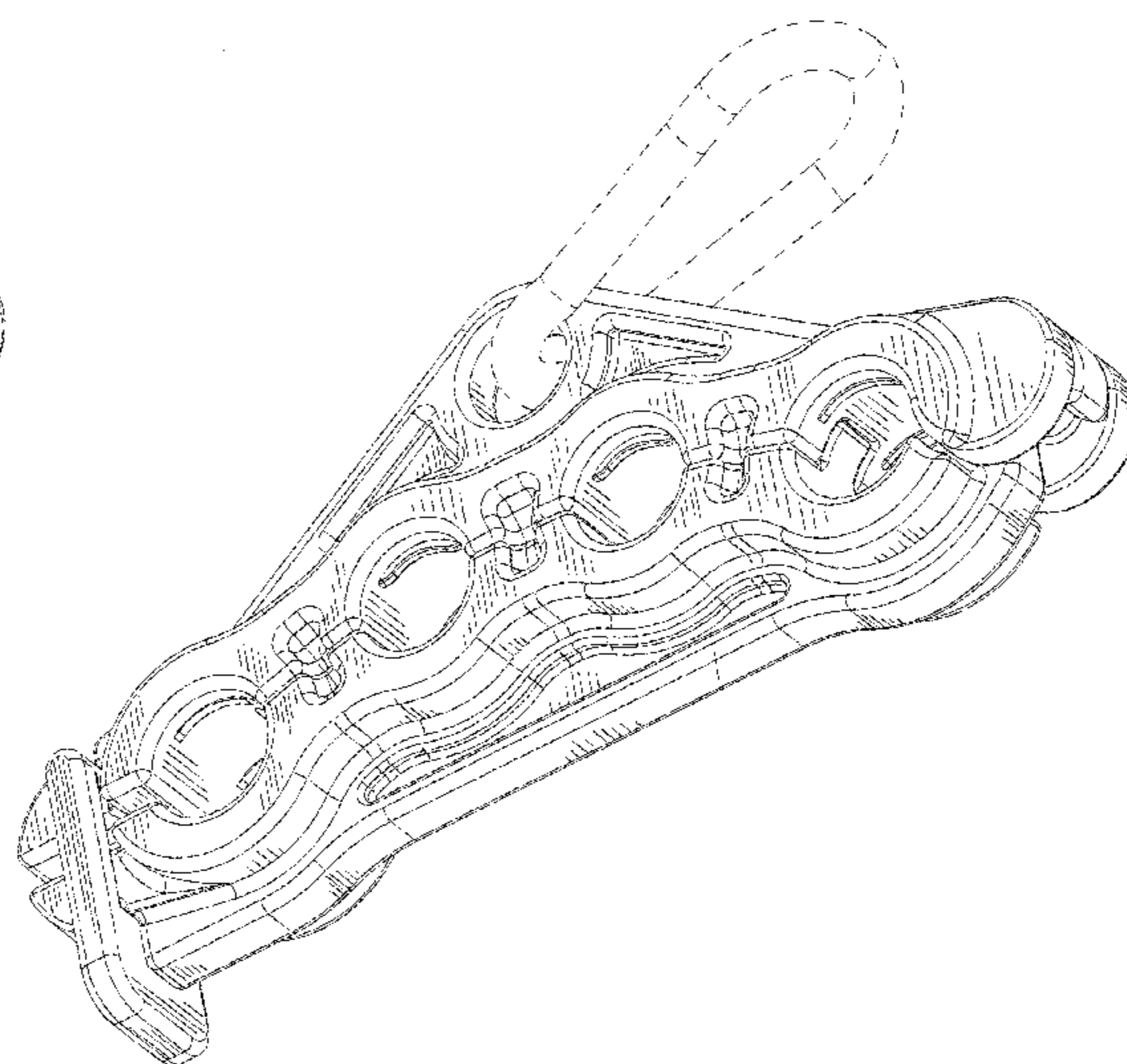
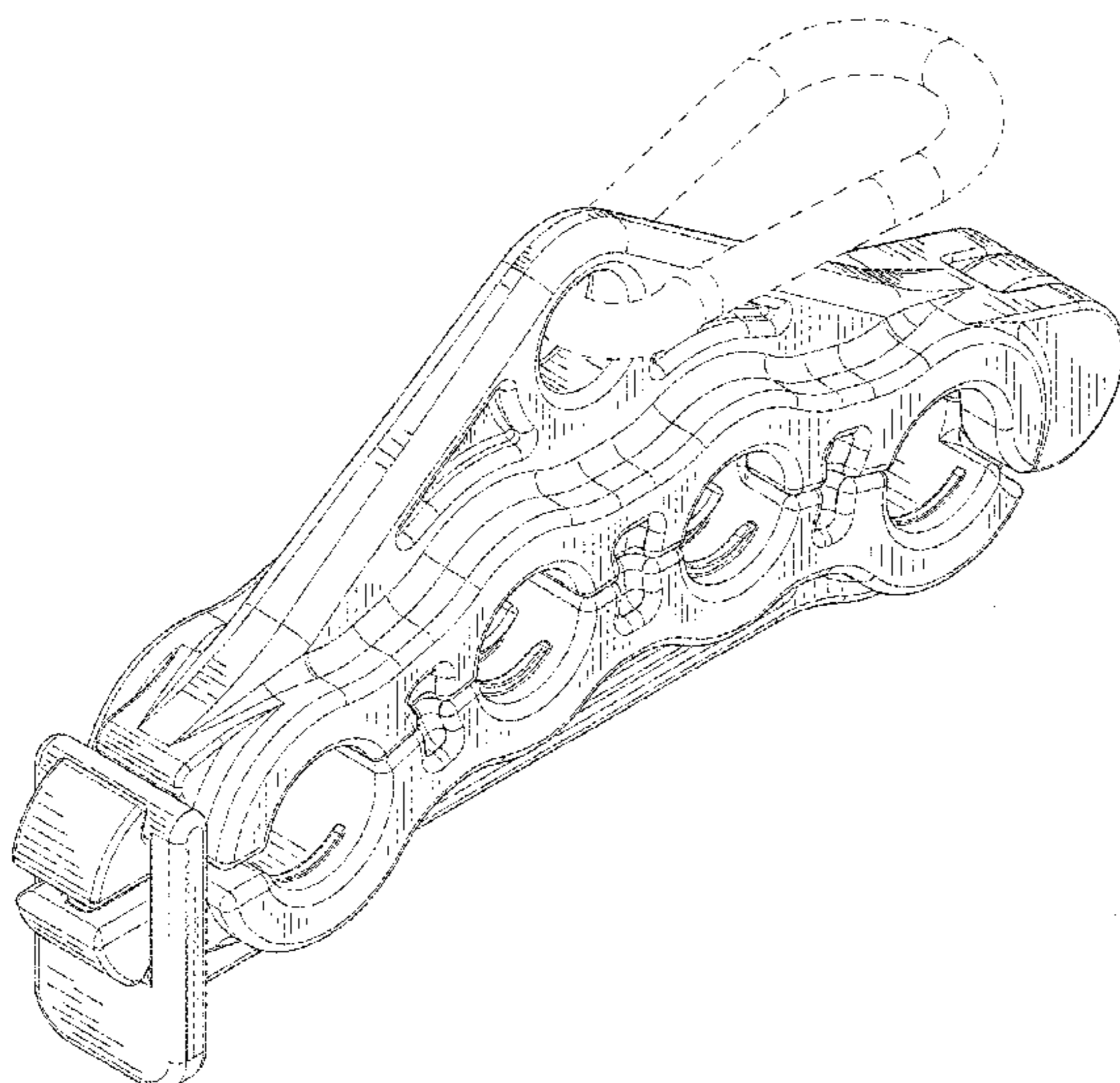
FIG. 6 is a top plan view thereof.

FIG. 7 is a bottom plan view thereof; and,

FIG. 8 is an additional perspective view thereof.

The broken lines in the drawing figures depict portions of the  
four hole clamp that form no part of the claimed design.

**1 Claim, 6 Drawing Sheets**



(56)

**References Cited**

U.S. PATENT DOCUMENTS

5,027,478 A	7/1991	Suhr		6,783,101 B2	8/2004	Knotts	
5,209,441 A	5/1993	Satoh		6,915,870 B2	7/2005	Sugiyama et al.	
5,263,671 A	11/1993	Baum		6,926,237 B2 *	8/2005	Shreyk .....	F16B 5/0685 248/71
D375,890 S	11/1996	Takai		7,185,770 B1	3/2007	Roten	
5,653,411 A	8/1997	Picco et al.		H2203 H	10/2007	Borchardt et al.	
5,669,590 A	9/1997	Przewodek		D568,254 S	5/2008	Patchett et al.	
5,703,330 A	12/1997	Kujawski		D575,231 S *	8/2008	Ho .....	D13/133
D421,318 S	2/2000	O'Brien et al.		D581,255 S *	11/2008	Calvin .....	D8/356
6,109,569 A	8/2000	Sakaida		7,500,644 B2	3/2009	Naudet et al.	
6,241,198 B1 *	6/2001	Maruyama .....	F16L 3/223 248/49	D639,145 S	6/2011	Hoek	
				D639,146 S	6/2011	Hoek	
6,405,414 B1	6/2002	Byrnes et al.		8,177,736 B2	5/2012	Kopperschmidt	
6,408,492 B1	6/2002	Sparks et al.		D676,314 S *	2/2013	Cude .....	D8/396
D459,977 S	7/2002	Byrnes et al.		D695,550 S	12/2013	Yiannaki	
				D712,243 S *	9/2014	Raines .....	D8/396
				D722,867 S *	2/2015	Papafagos .....	D8/396

\* cited by examiner

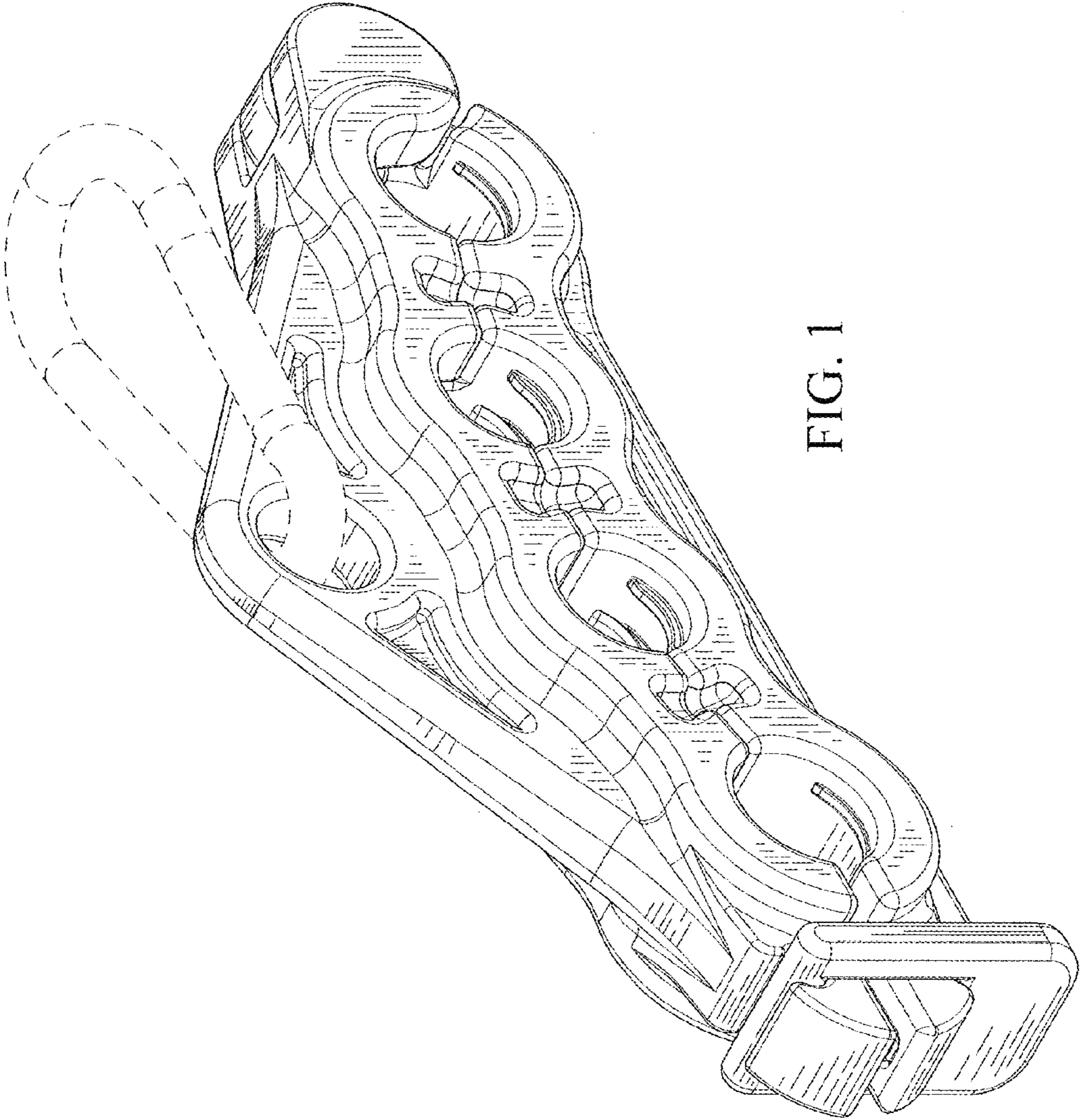


FIG. 1

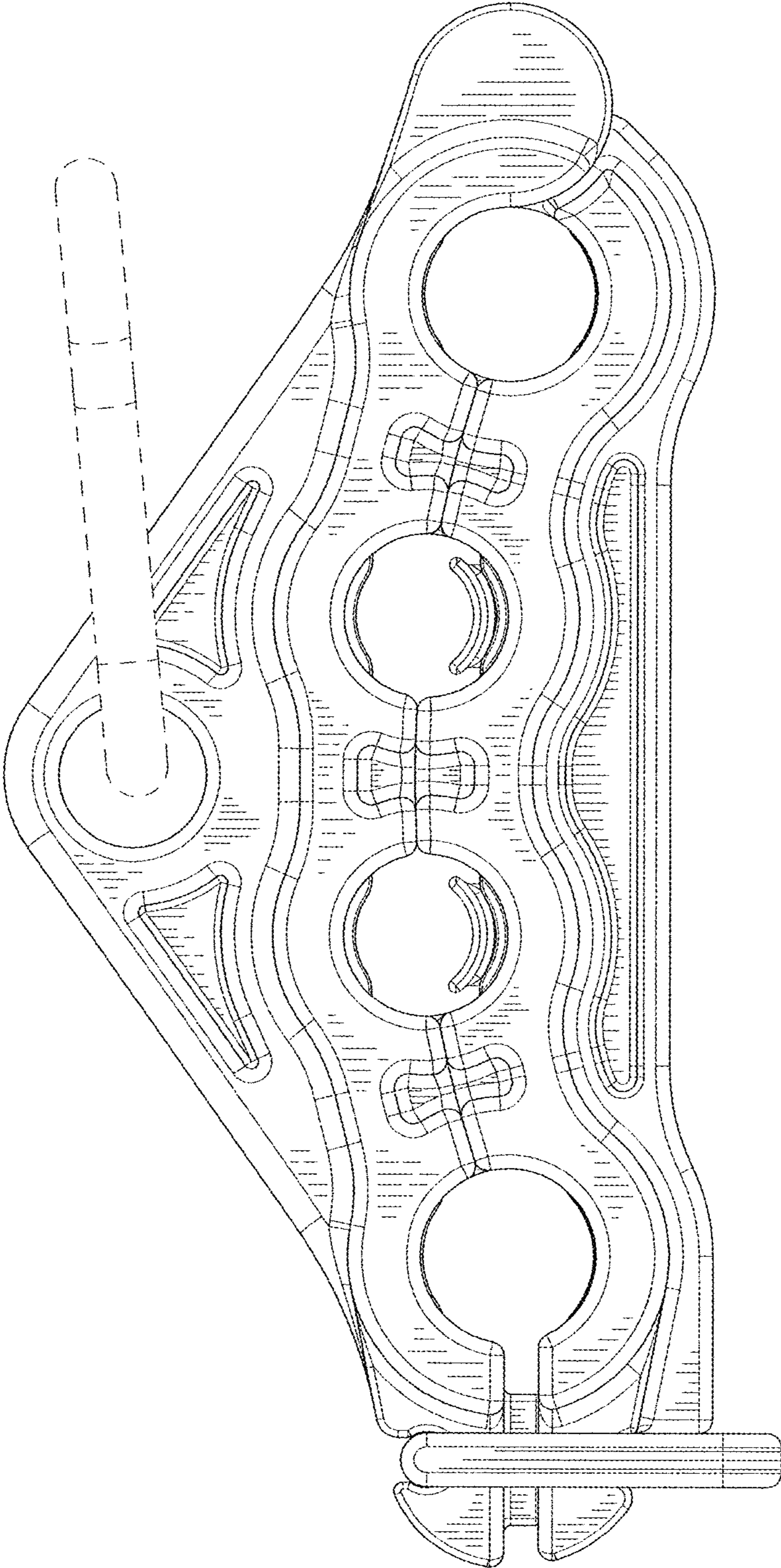


FIG. 2

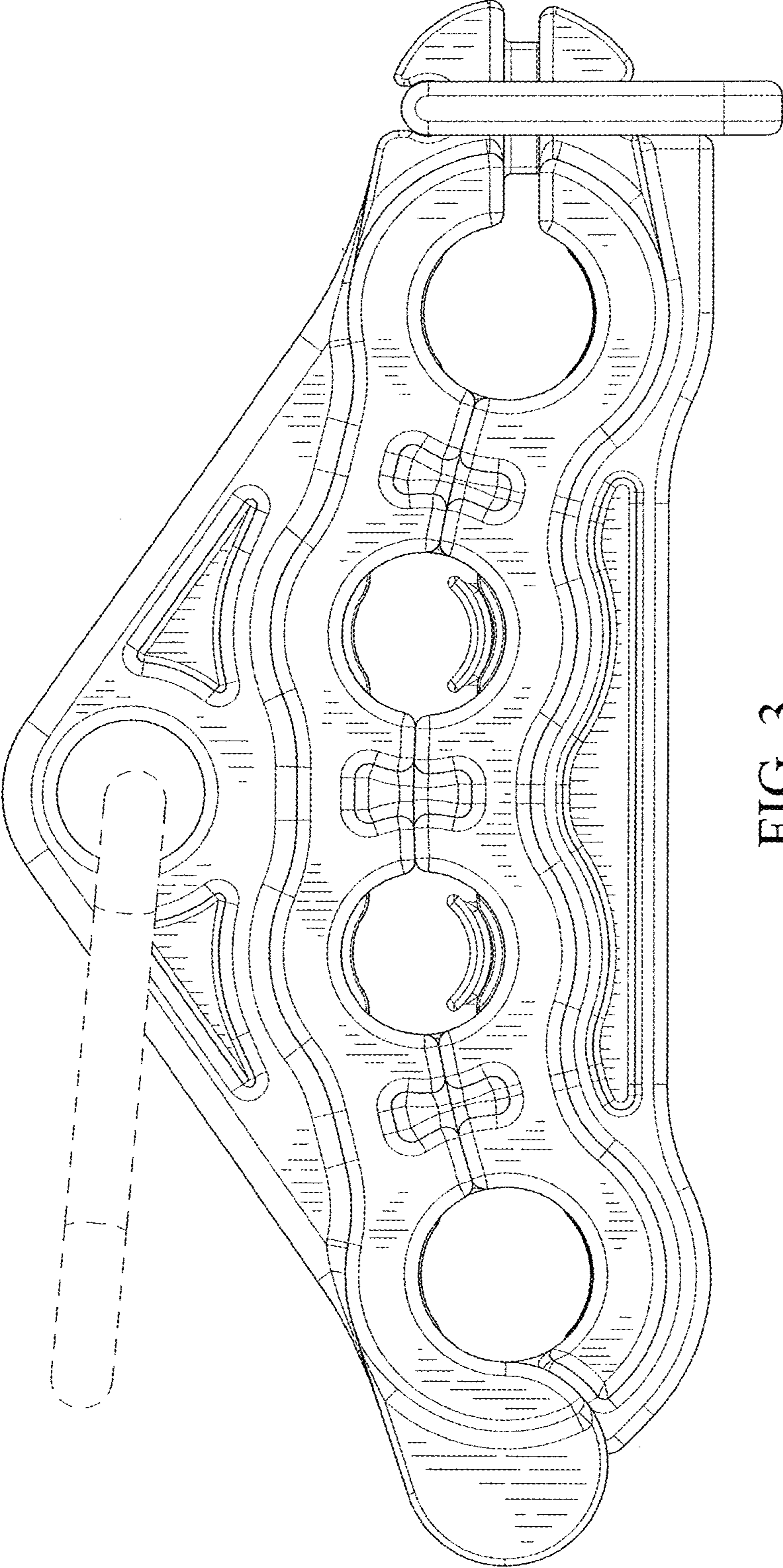


FIG. 3

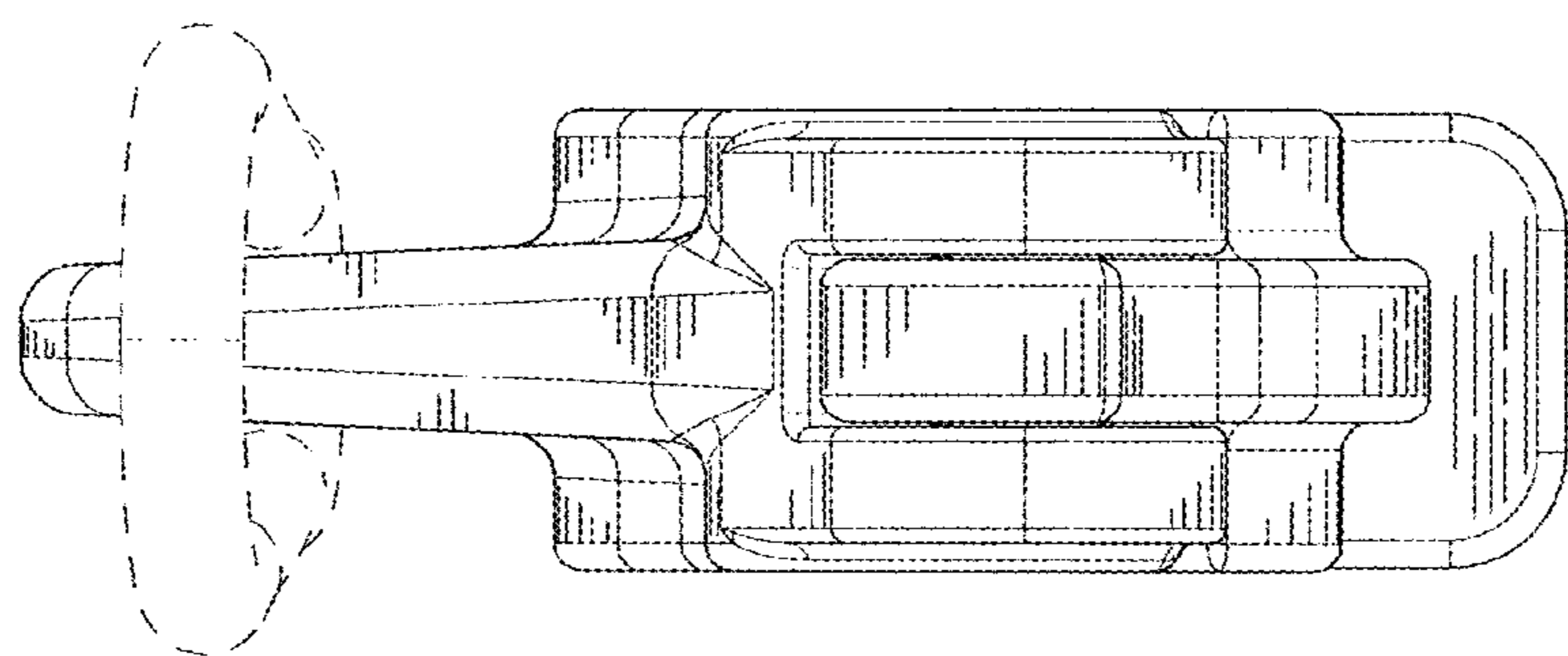


FIG. 5

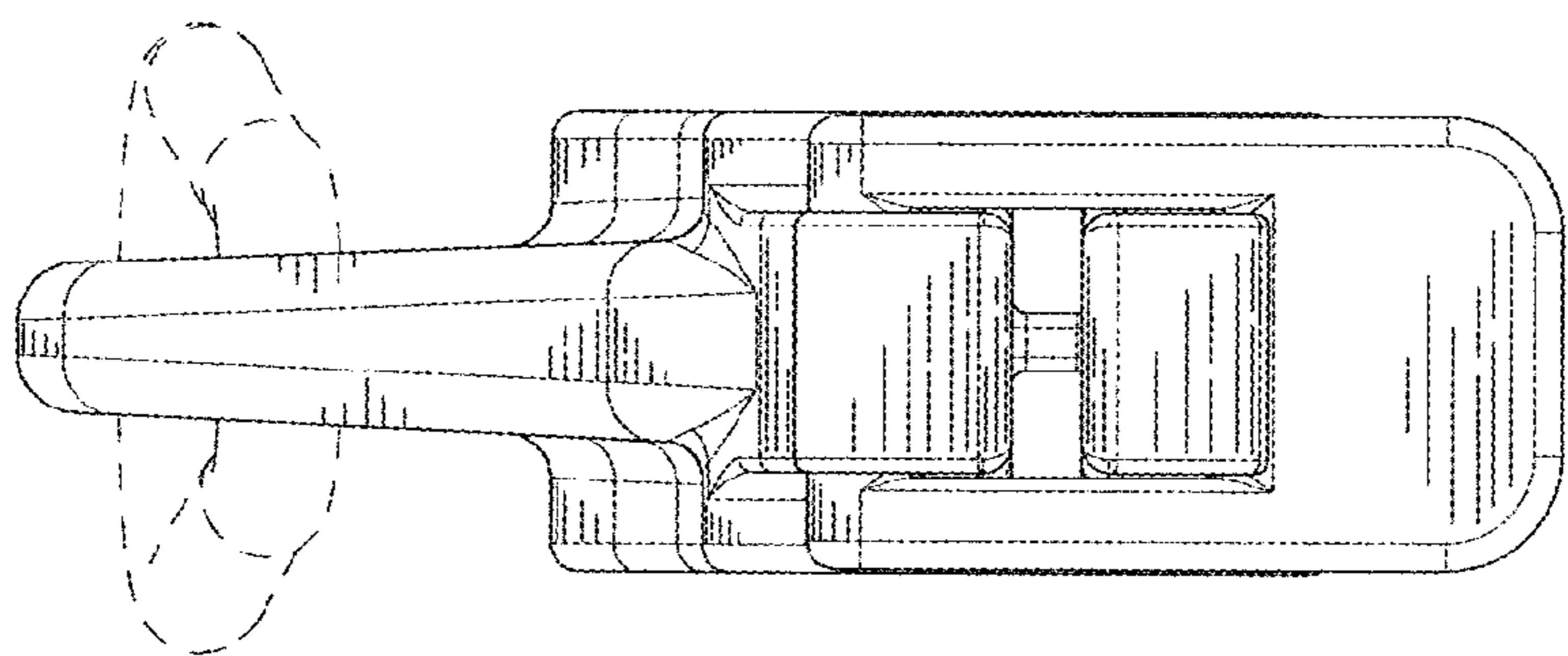


FIG. 4

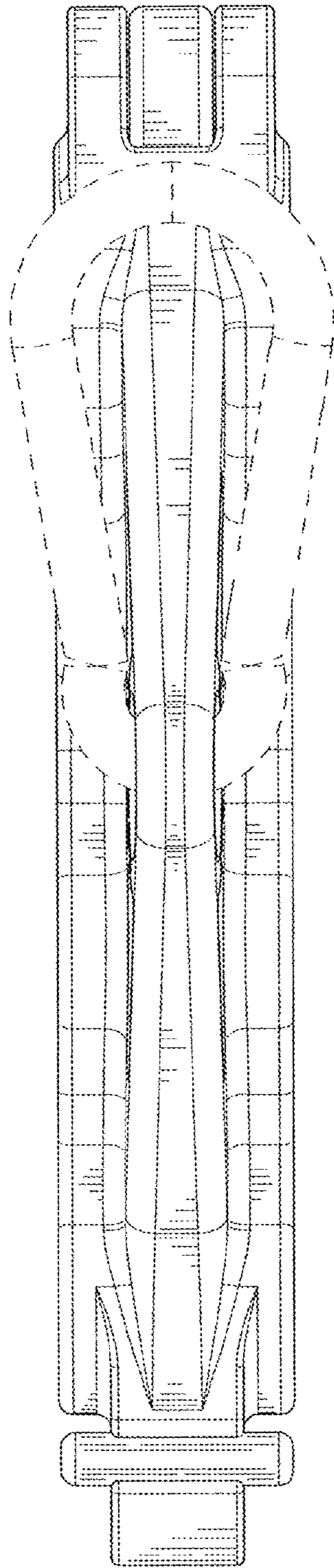


FIG. 6

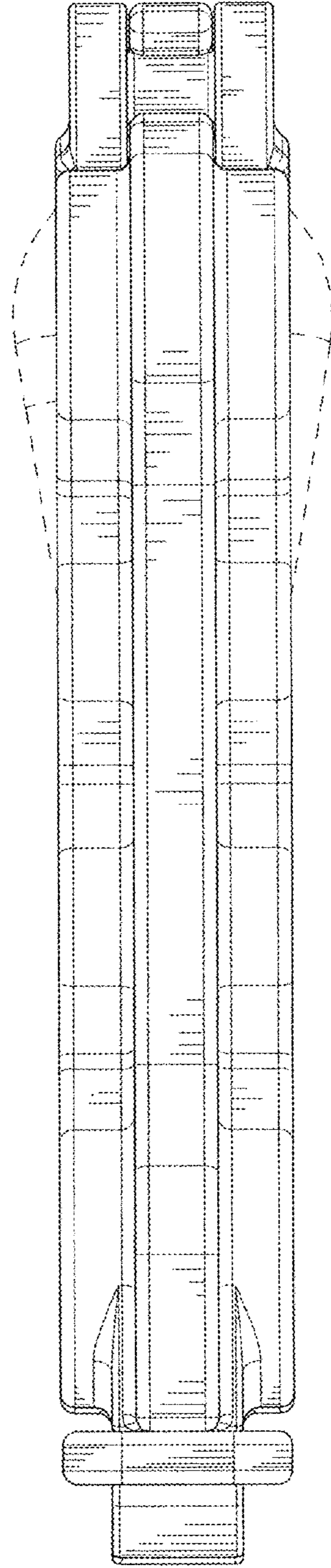


FIG. 7

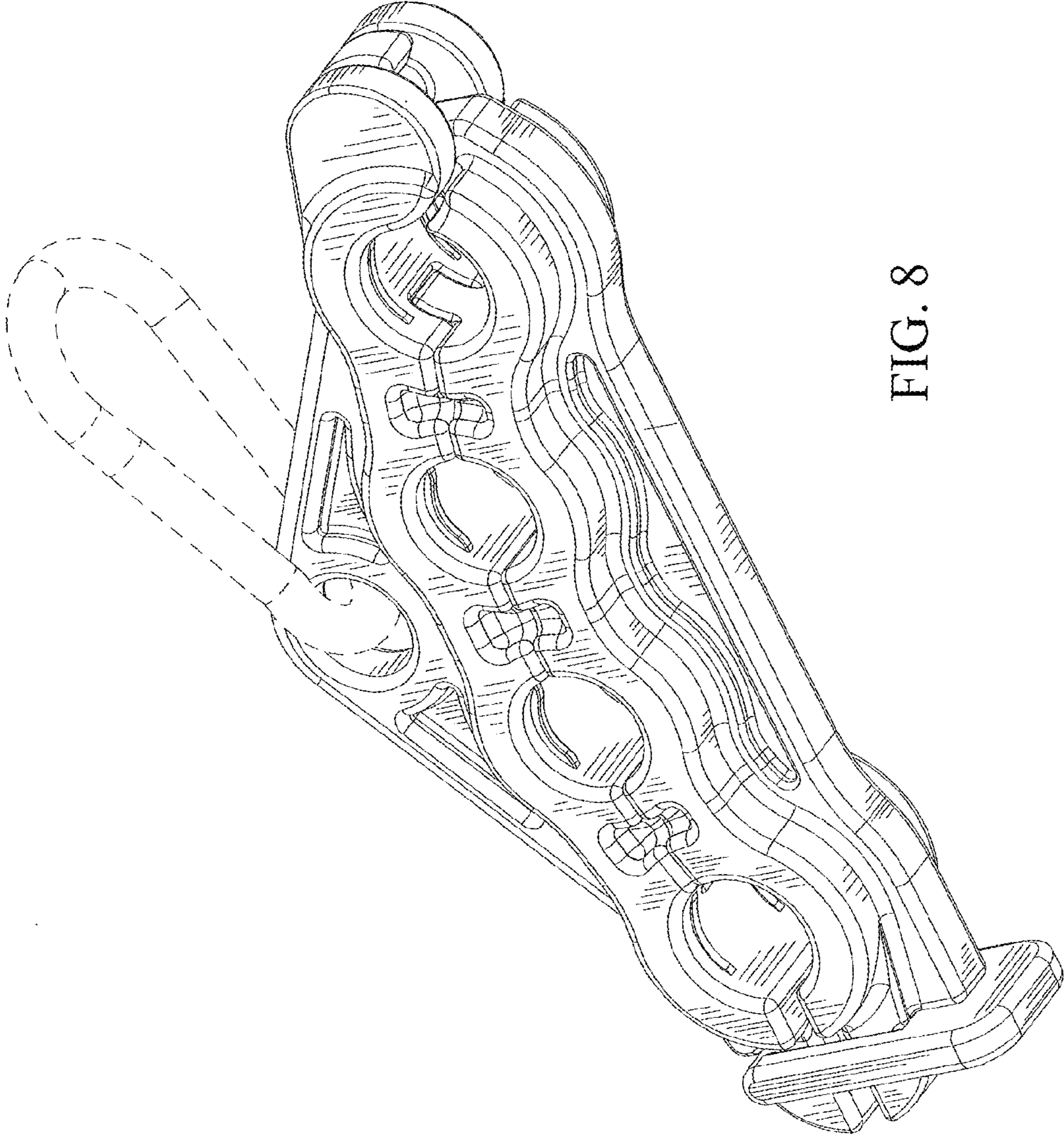


FIG. 8