



US00D761642S

(12) **United States Design Patent**
Nagayasu et al.

(10) **Patent No.:** **US D761,642 S**
(45) **Date of Patent:** **** Jul. 19, 2016**

(54) **CABLE TIE**

(71) Applicant: **Sumitomo Wiring Systems, Ltd.**,
Yokkaichi-shi (JP)

(72) Inventors: **Daiki Nagayasu**, Yokkaichi (JP);
Kazuki Nakagawa, Yokkaichi (JP)

(73) Assignee: **Sumitomo Wiring Systems, Ltd.** (JP)

(**) Term: **14 Years**

(21) Appl. No.: **29/522,833**

(22) Filed: **Apr. 2, 2015**

(30) **Foreign Application Priority Data**

Oct. 7, 2014 (JP) 2014-022354

(51) **LOC (10) Cl.** **08-08**

(52) **U.S. Cl.**
USPC **D8/383**

(58) **Field of Classification Search**
USPC D8/383, 349, 354, 356, 382, 394, 396,
D8/499

CPC B65D 63/1072; B65D 63/1063; B65D
2563/103; B65D 63/1045; B65D 63/00;
B65D 63/1081; Y10T 24/1498; Y10T 24/14;
Y10T 24/45246; Y10T 24/141; Y10T 24/15;
F16B 2/26; F16L 3/2332; F16L 3/2334

See application file for complete search history.

(56) **References Cited**

U.S. PATENT DOCUMENTS

- D305,099 S * 12/1989 Naruse D8/382
- 5,131,613 A * 7/1992 Kamiya F16L 3/233
24/16 PB
- D372,665 S * 8/1996 Kim D8/396
- 5,601,261 A * 2/1997 Koike B60R 16/0215
24/16 PB
- D417,142 S * 11/1999 Kim D8/382
- D417,387 S * 12/1999 Kim D8/382
- D417,838 S * 12/1999 Kim D8/382
- D459,206 S * 6/2002 Caveney D8/396

- D471,435 S * 3/2003 Krisel D8/396
- D520,865 S * 5/2006 Wakabayashi D8/396
- D596,933 S * 7/2009 Banno D8/396
- D624,811 S * 10/2010 Wakabayashi D8/396

(Continued)

Primary Examiner — Sheryl Lane

Assistant Examiner — Ieisha Price

(74) *Attorney, Agent, or Firm* — Schwegman Lundberg &
Woessner, P.A.

(57) **CLAIM**

The ornamental design for a cable tie, as shown and described.

DESCRIPTION

FIG. 1 is a front, top and left side perspective view of a cable tie showing our new design;

FIG. 2 is a front view thereof, the rear view being a mirror image of FIG. 2;

FIG. 3 is a top plan view thereof;

FIG. 4 is a bottom plan view thereof;

FIG. 5 is a right side view thereof;

FIG. 6 is a left side view thereof;

FIG. 7 is an enlarged view of the portion indicated by line 7-7 in FIG. 1;

FIG. 8 is an enlarged view of the portion indicated by line 8-8 in FIG. 2;

FIG. 9 is an enlarged view of the portion indicated by line 9-9 in FIG. 3;

FIG. 10 is an enlarged view of the portion indicated by line 10-10 in FIG. 4;

FIG. 11 is an enlarged right side view thereof;

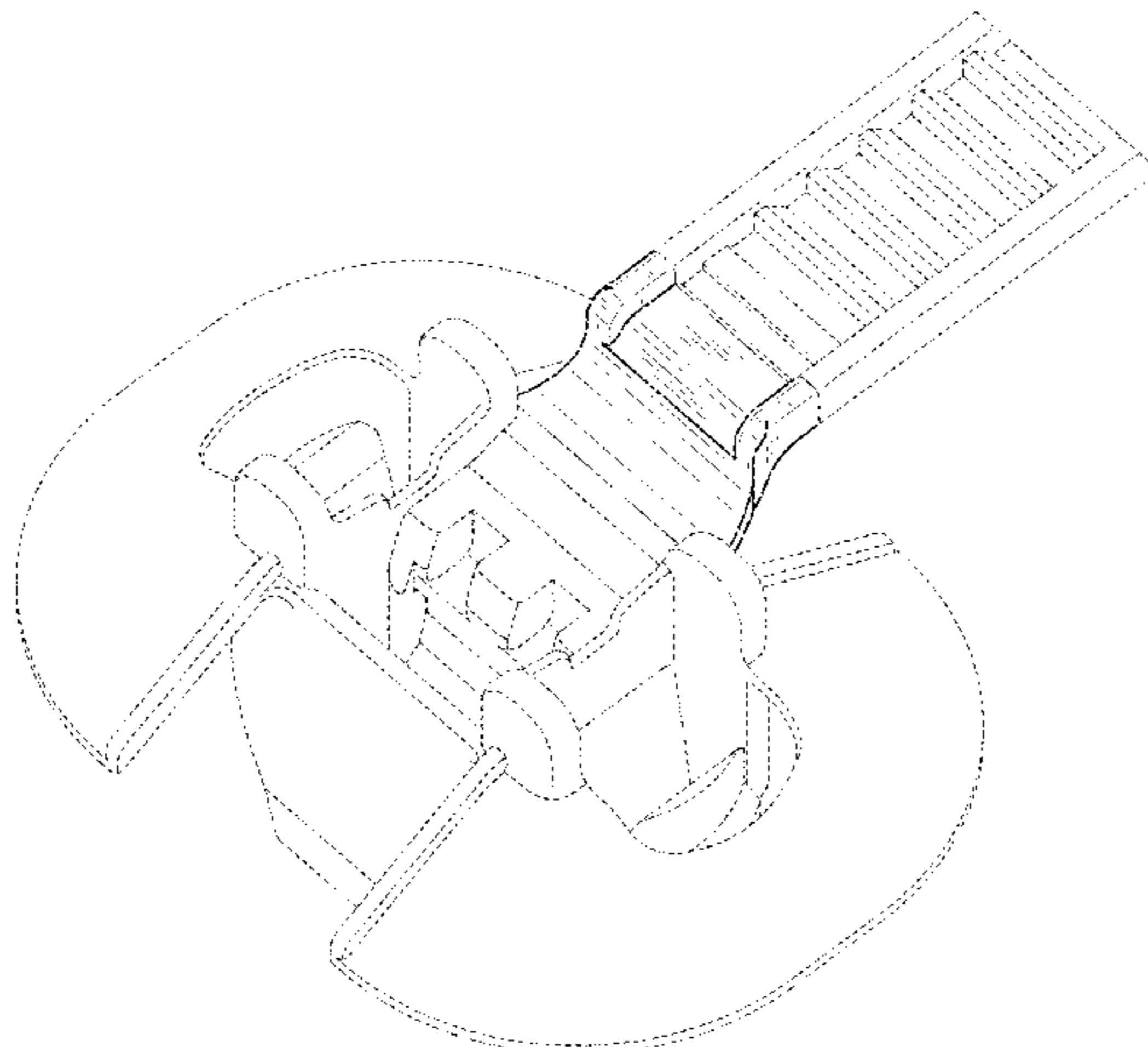
FIG. 12 is an enlarged left side view thereof;

FIG. 13 is a cross-sectional view taken along line 13-13 in FIG. 9; and,

FIG. 14 is a cross-sectional view taken along line 14-14 in FIG. 9.

The broken lines in the drawings illustrate portions of the cable tie and form no part of the claimed design. The dot-dash-dot broken lines in the drawings define the bounds of the claim and form no part thereof.

1 Claim, 11 Drawing Sheets



US D761,642 S

Page 2

(56)

References Cited

U.S. PATENT DOCUMENTS

8,282,047 B2 *	10/2012	Franks	F16B 2/08	24/16 R
D729,044 S *	5/2015	Asai	D8/356	
2008/0250609 A1 *	10/2008	Franks	F16B 2/08	24/16 R
2011/0302746 A1 *	12/2011	Sano	B65D 63/1072	24/16 R
2012/0159742 A1 *	6/2012	Iwahara	B60R 16/0215	24/16 R

* cited by examiner

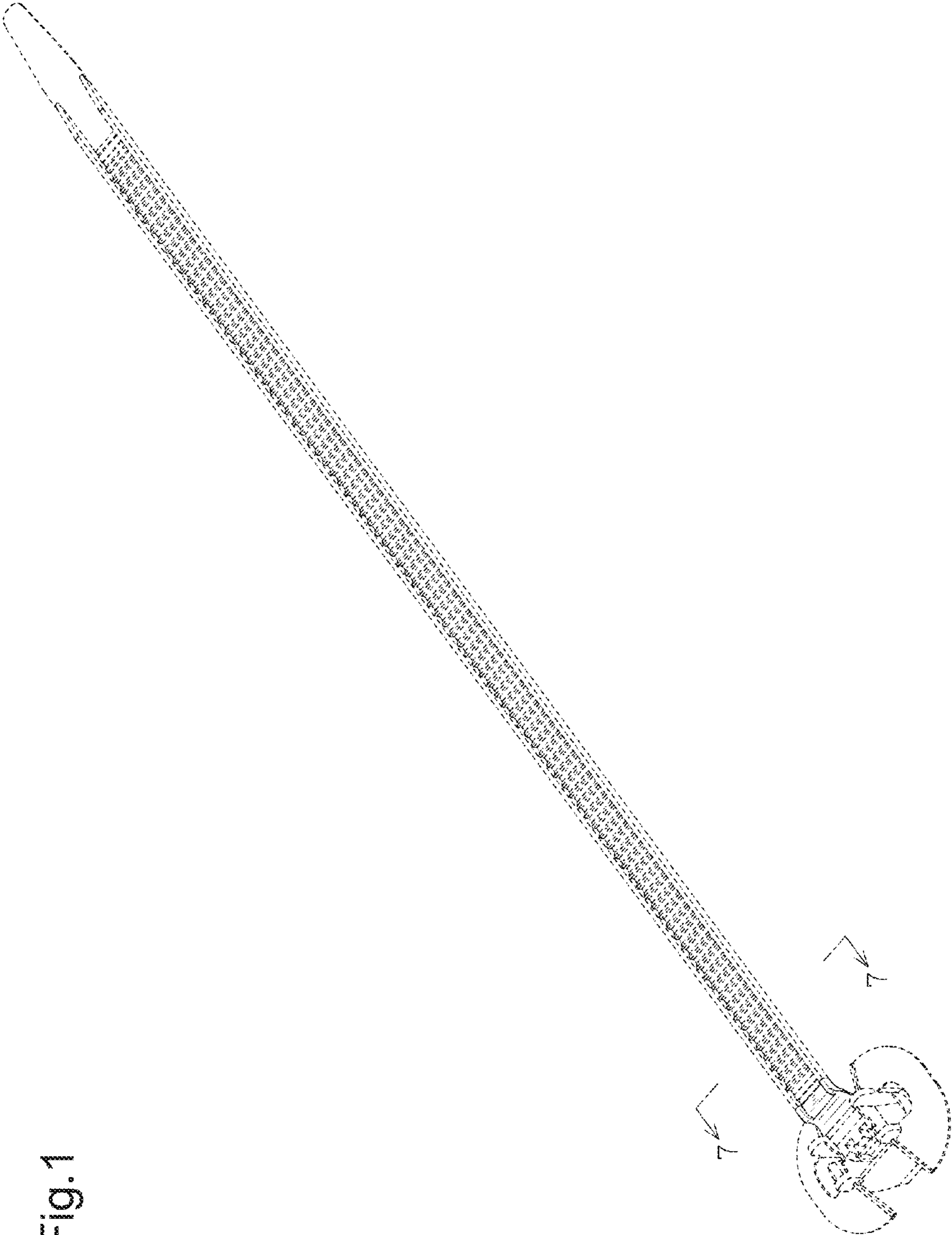


Fig.1

Fig.2

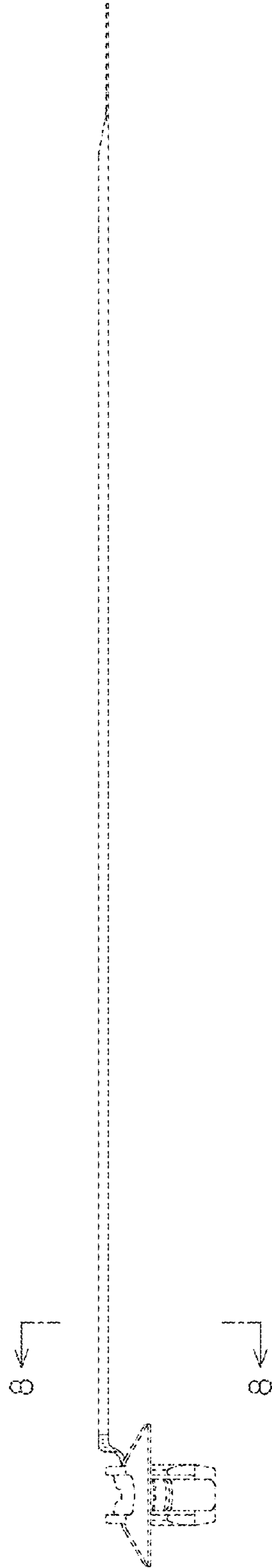


Fig.3

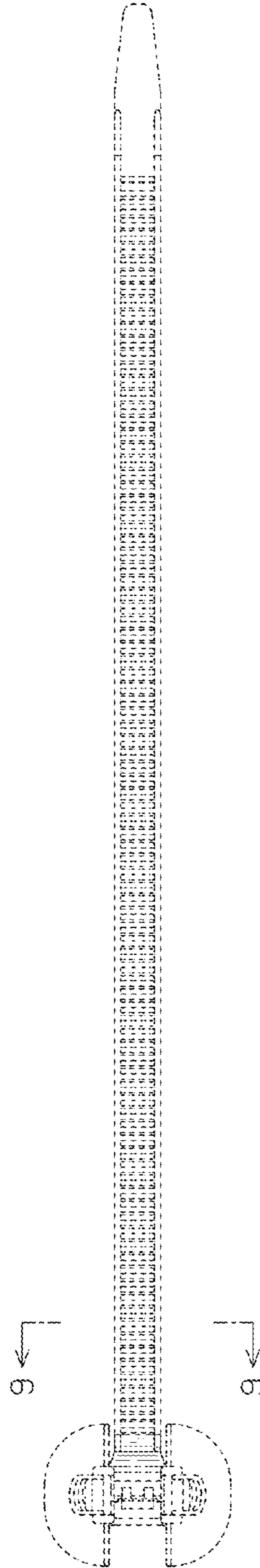


Fig.4

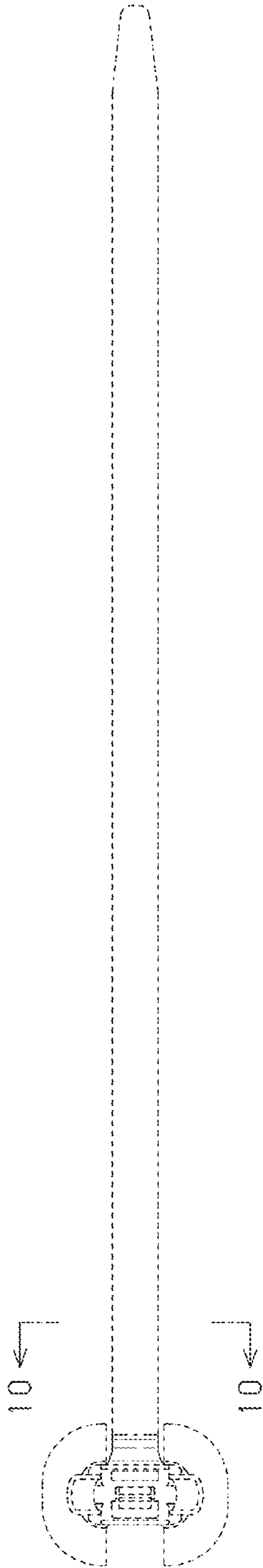


Fig.5

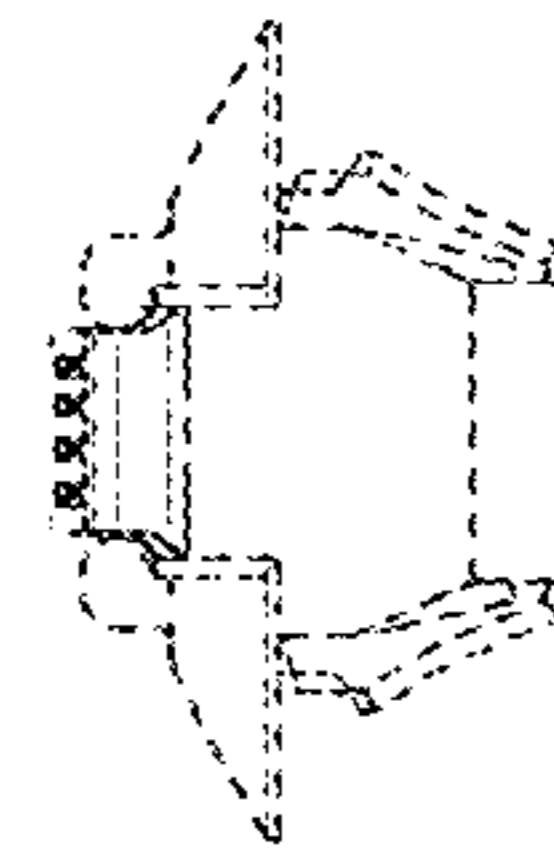
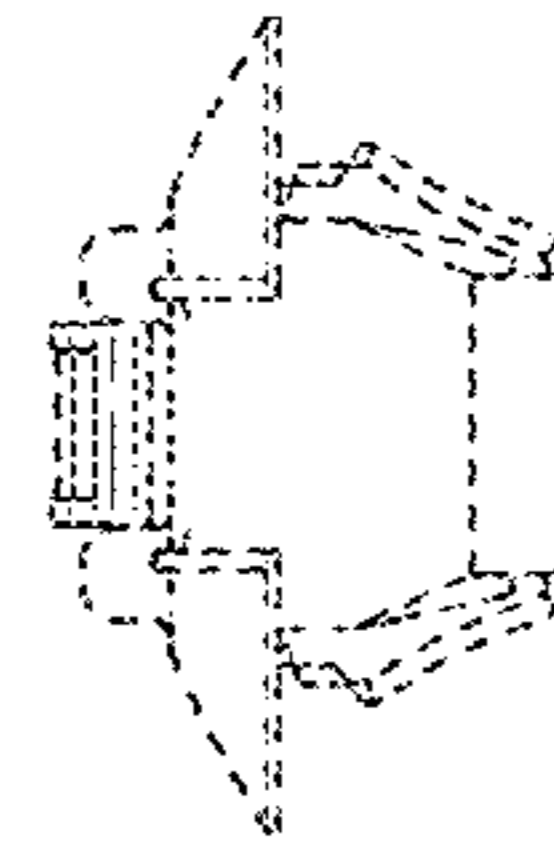


Fig.6



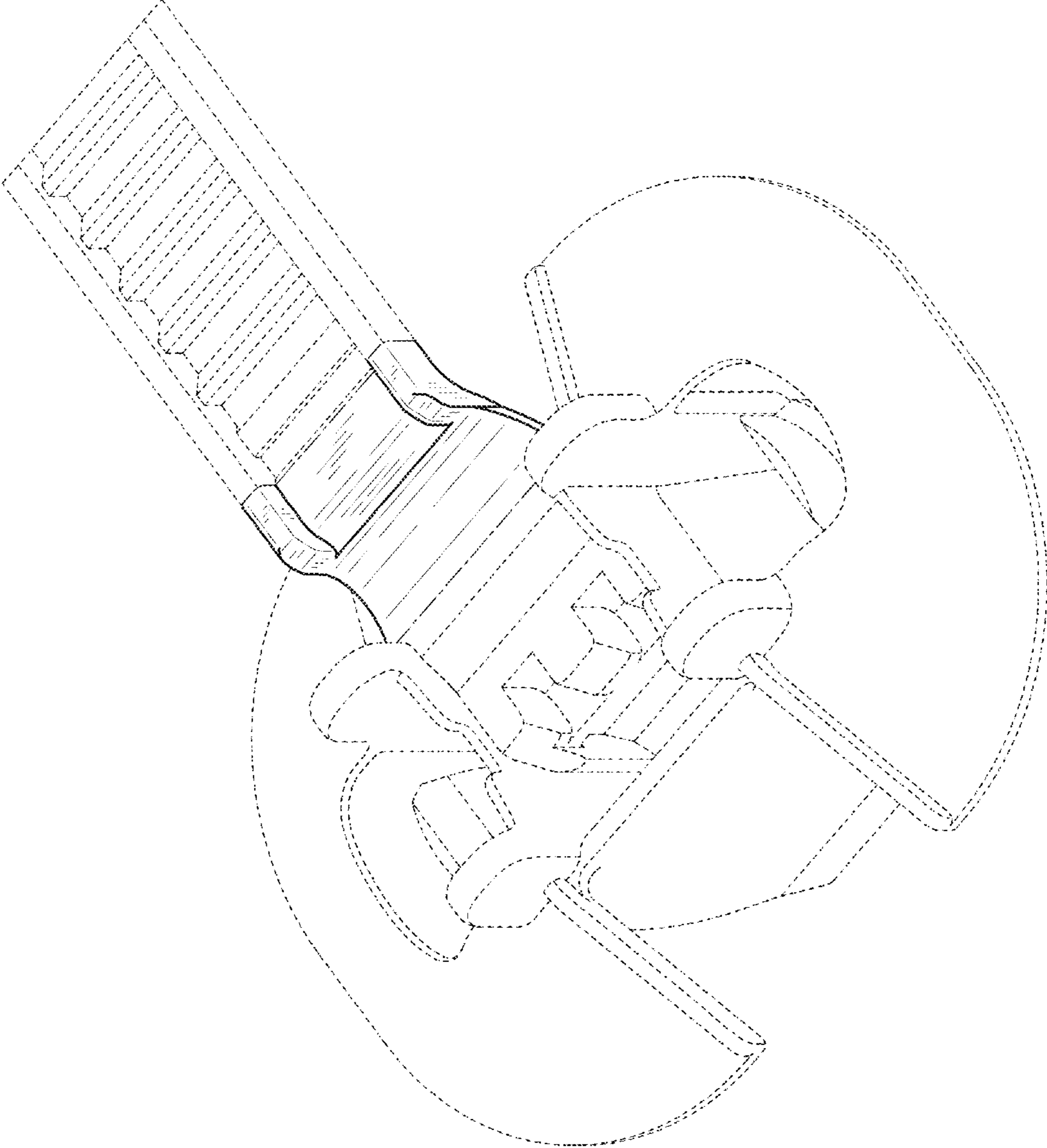


Fig.7

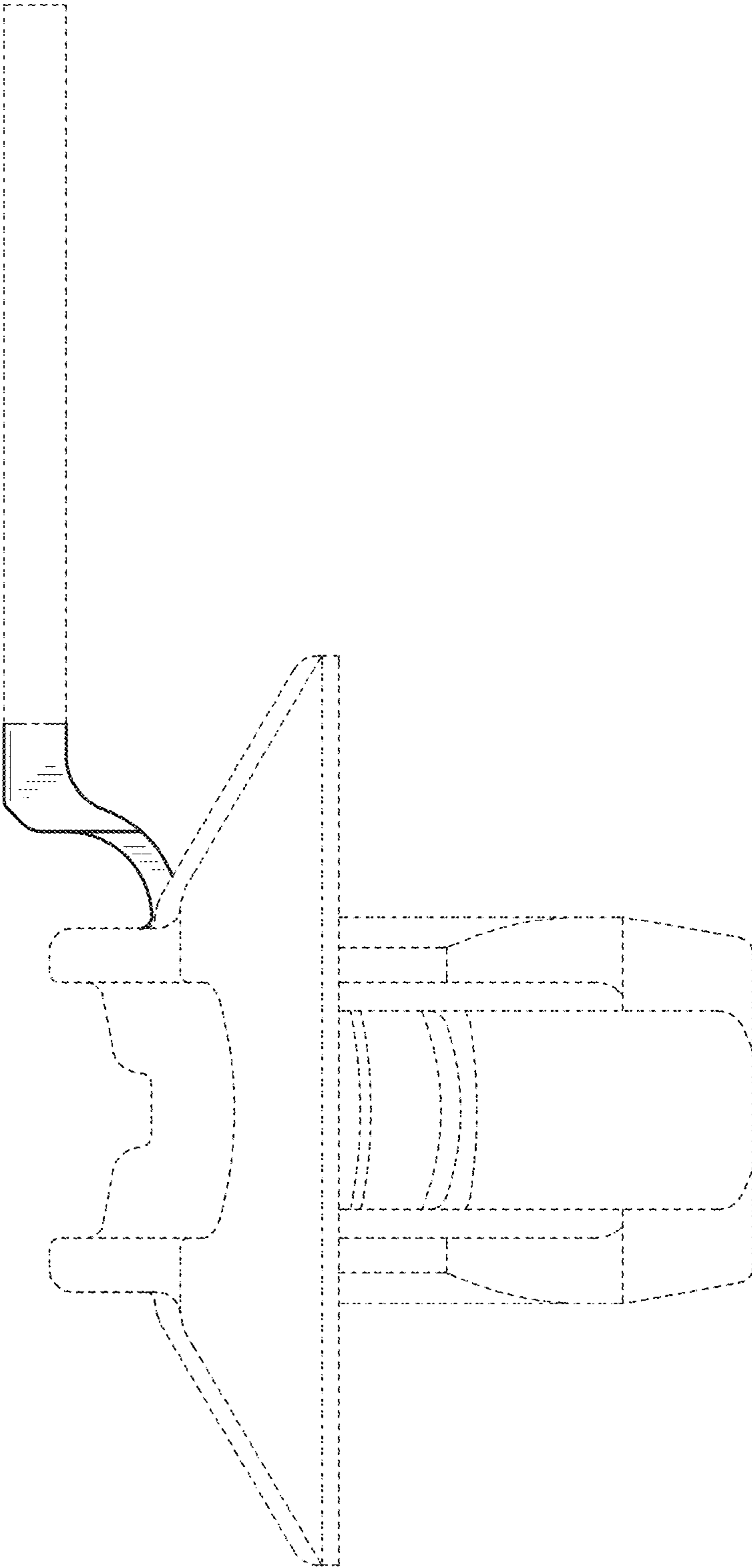


Fig. 8

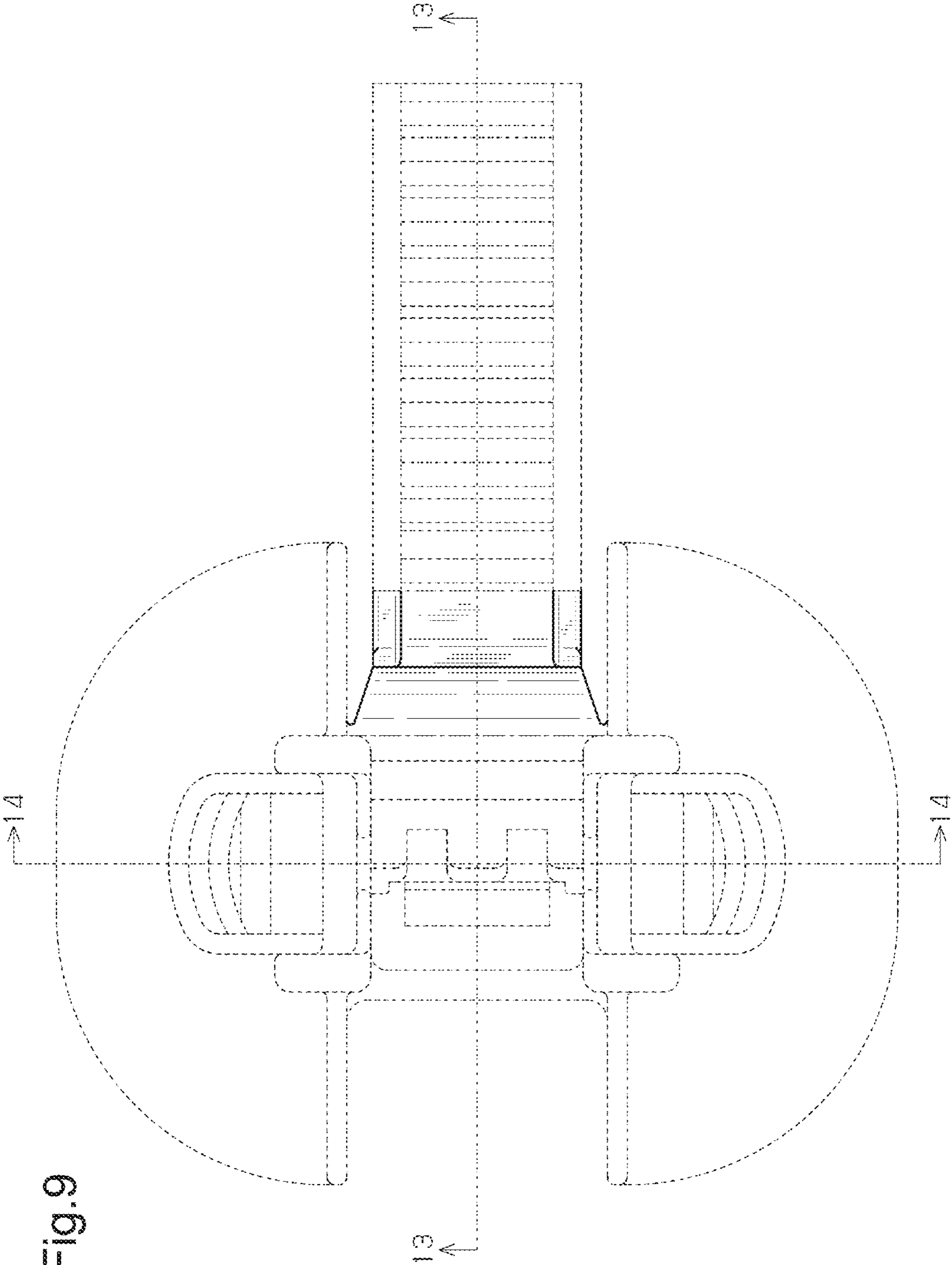


Fig. 9

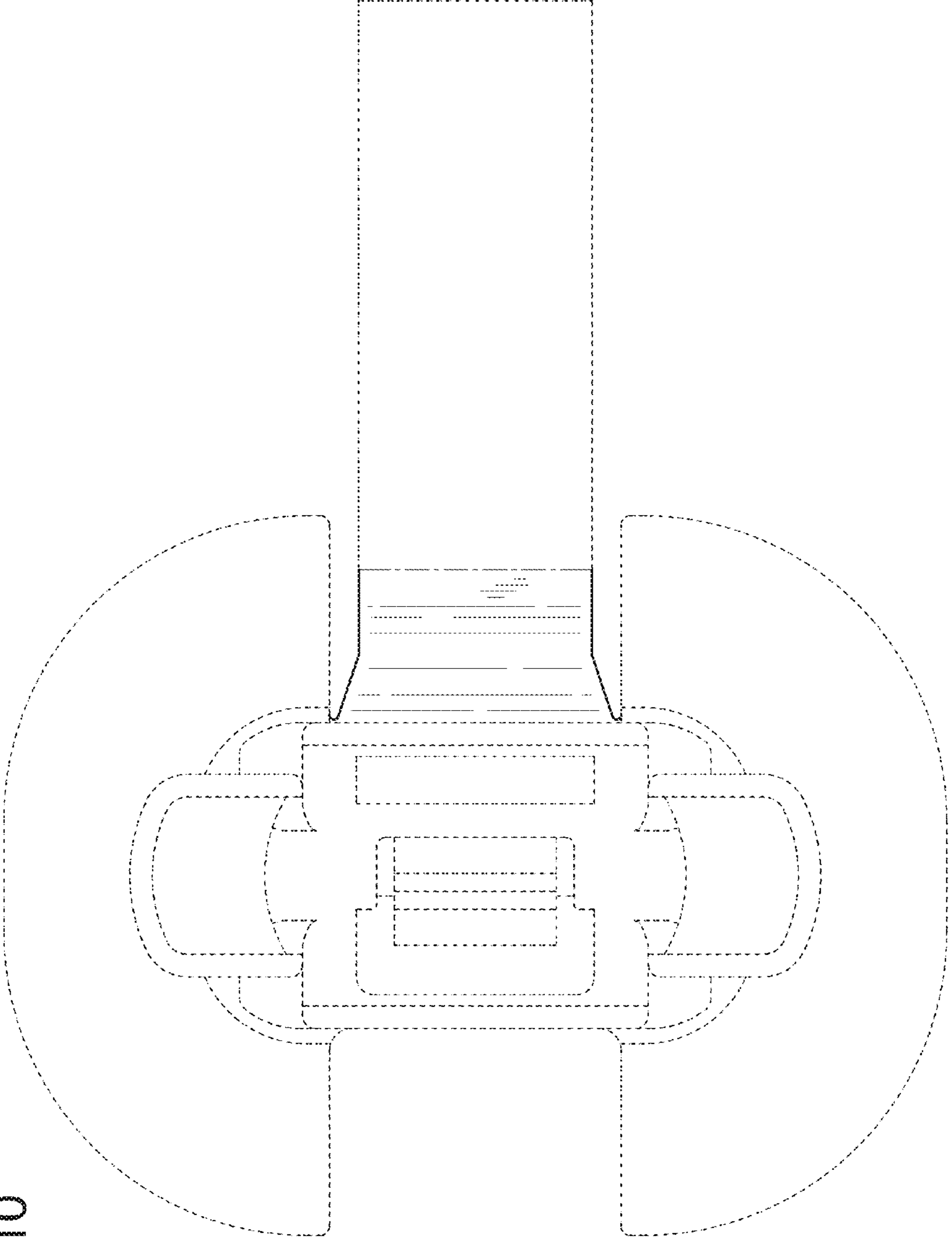


Fig.10

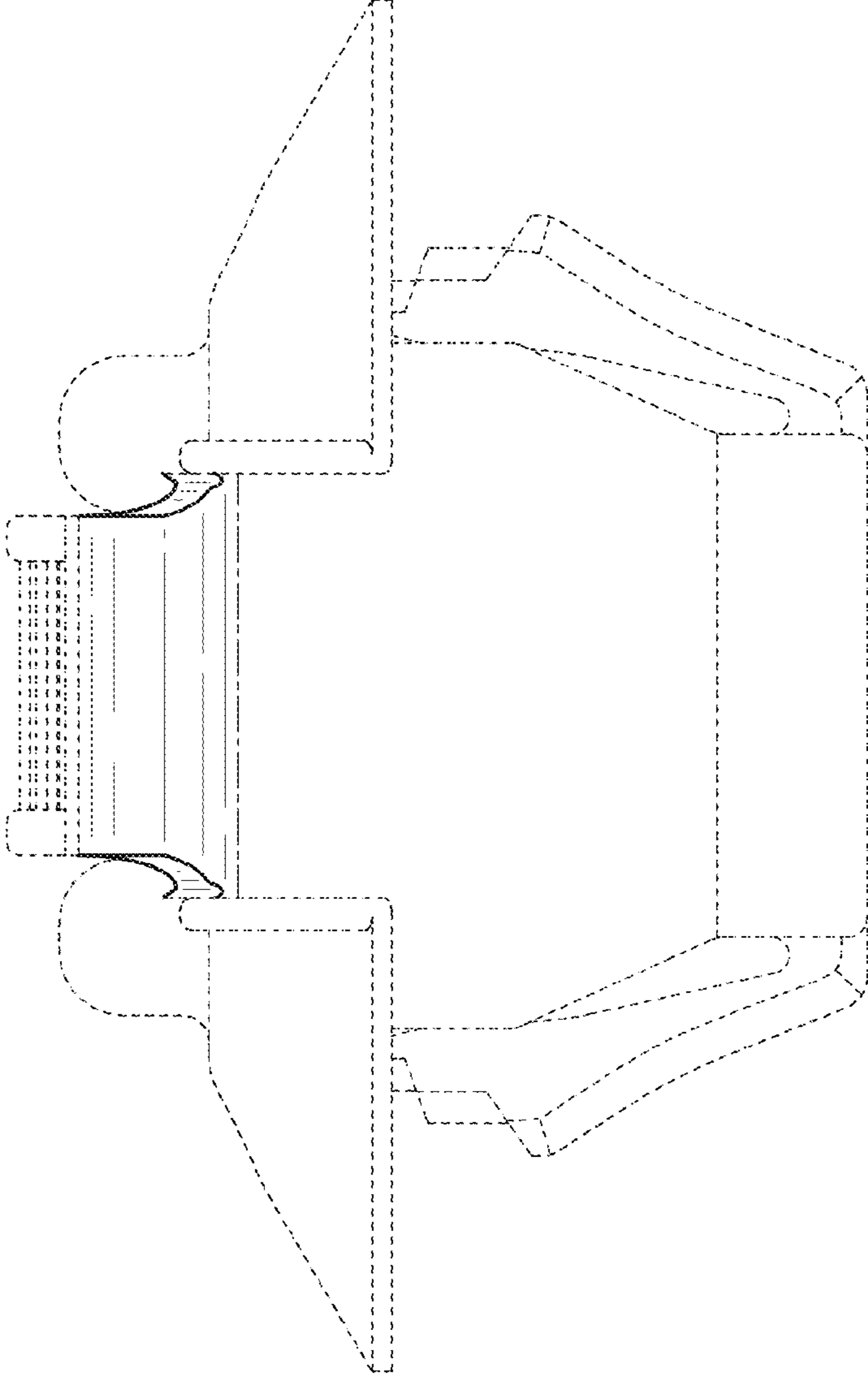


Fig.11

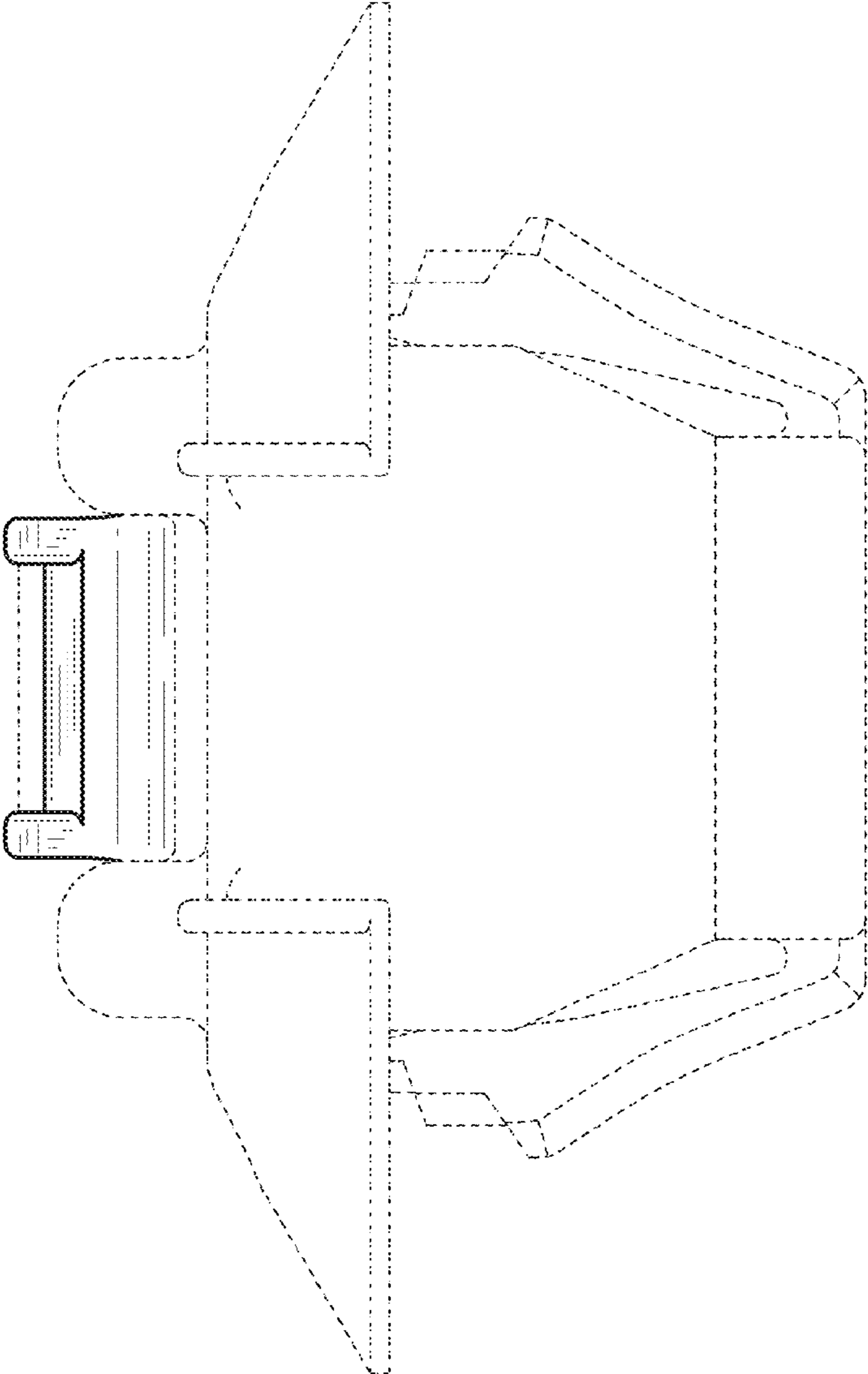
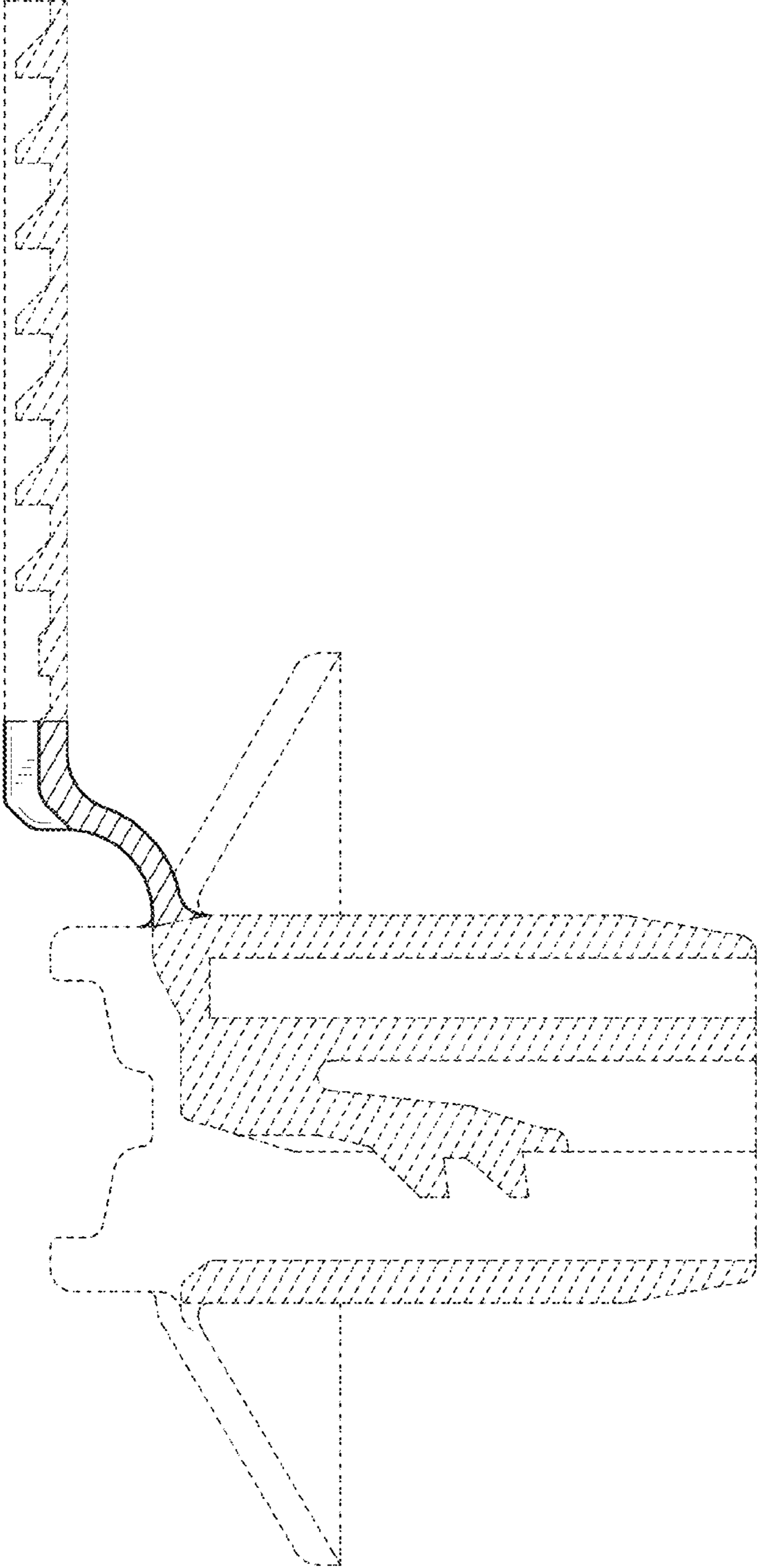


Fig.12

Fig. 13



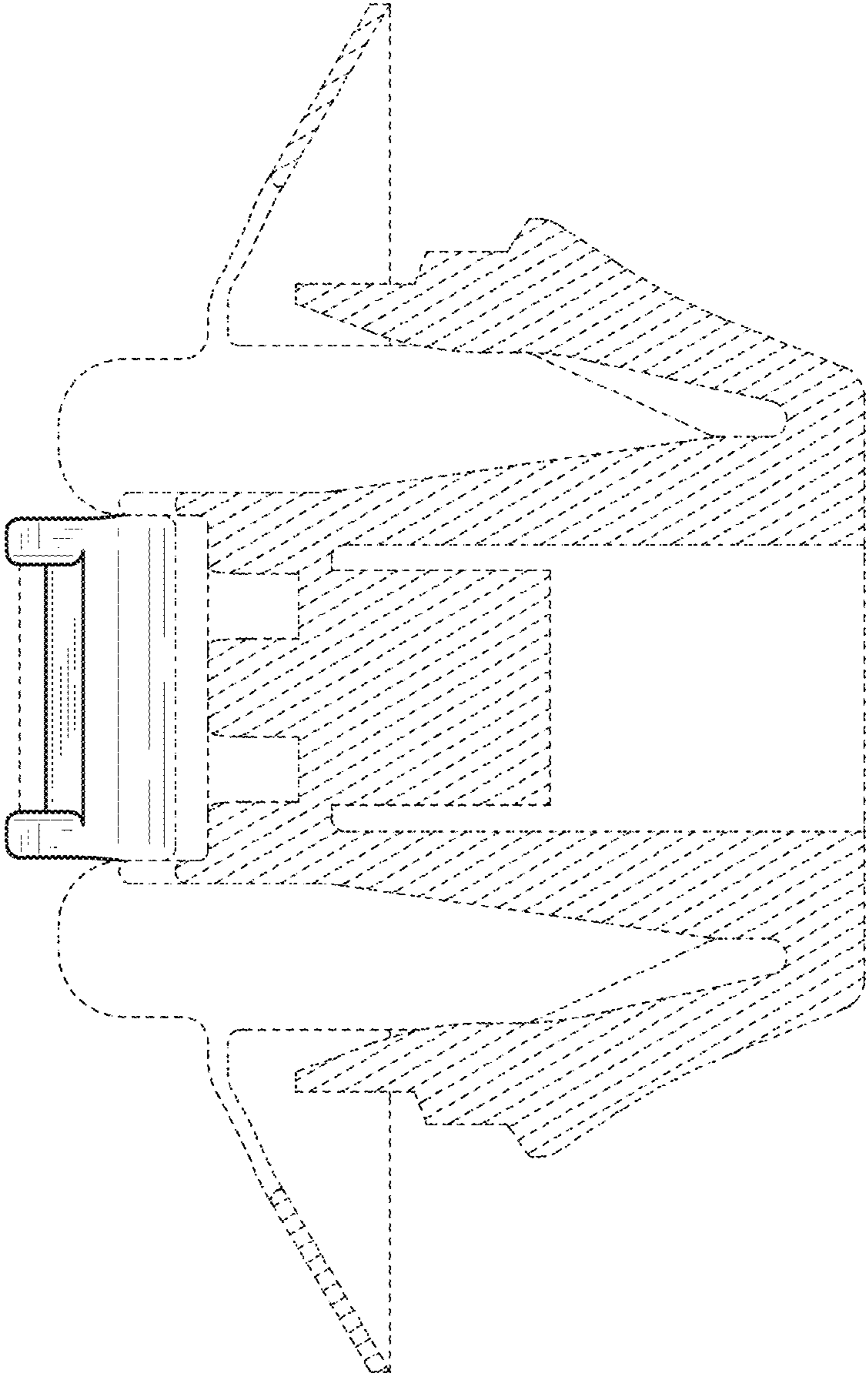


Fig. 14