



US00D761641S

(12) **United States Design Patent**
Pace et al.

(10) **Patent No.:** **US D761,641 S**
(45) **Date of Patent:** **** Jul. 19, 2016**

- (54) **CONNECTION MEMBER FOR A MODULAR SUPPORT FRAME**
- (71) Applicant: **Revolution Display, LLC**, Glendale, CA (US)
- (72) Inventors: **Vincent M. Pace**, Sherman Oaks, CA (US); **Patrick Campbell**, Canyon Country, CA (US)
- (73) Assignee: **Revolution Display, LLC**, Glendale, CA (US)
- (**) Term: **14 Years**
- (21) Appl. No.: **29/526,446**
- (22) Filed: **May 8, 2015**
- (51) **LOC (10) Cl.** **08-08**
- (52) **U.S. Cl.**
USPC **D8/382**
- (58) **Field of Classification Search**
USPC D6/702; D8/349, 354, 380, 381, 382, D8/499; D14/314, 432, 451, 299; D25/68
CPC A47B 13/003; F16B 12/02; F16B 12/06; F16B 12/10; F16B 12/28; F16B 12/30; F16B 12/32; F16B 12/44; F16B 2012/443; F16B 2012/446; F16B 12/46; F16B 12/50; F16B 12/52
See application file for complete search history.

- D590,697 S * 4/2009 Townley D8/354
- D604,150 S * 11/2009 Lee D12/114
- D613,591 S * 4/2010 Lee D12/114
- D715,339 S * 10/2014 Oetlinger D15/138
- D729,042 S * 5/2015 Guzzoni D8/349
- 2015/0330430 A1* 11/2015 Krieger F16B 12/10 403/286

* cited by examiner

Primary Examiner — Sheryl Lane

Assistant Examiner — Ieisha Price

(74) *Attorney, Agent, or Firm* — Downs Rachlin Martin PLLC

(57) **CLAIM**

The ornamental design for a connection member for a modular support frame, as shown and described.

DESCRIPTION

FIG. 1 is a perspective view of the first embodiment of a connection member for a modular support frame showing our new design;

FIG. 2 is a front view thereof;

FIG. 3 is a rear view thereof;

FIG. 4 is a side view thereof;

FIG. 5 is a second side view thereof;

FIG. 6 is a top view thereof;

FIG. 7 is a bottom view thereof;

FIG. 8 is a perspective view of the second embodiment of a connection member for a modular support frame showing our new design;

FIG. 9 is a front view thereof;

FIG. 10 is a rear view thereof;

FIG. 11 is a side view thereof;

FIG. 12 is a second side view thereof;

FIG. 13 is a top view thereof; and,

FIG. 14 is a bottom view thereof.

The broken lines in the drawings illustrate portions of the connection member for a modular support frame and form no part of the claimed design.

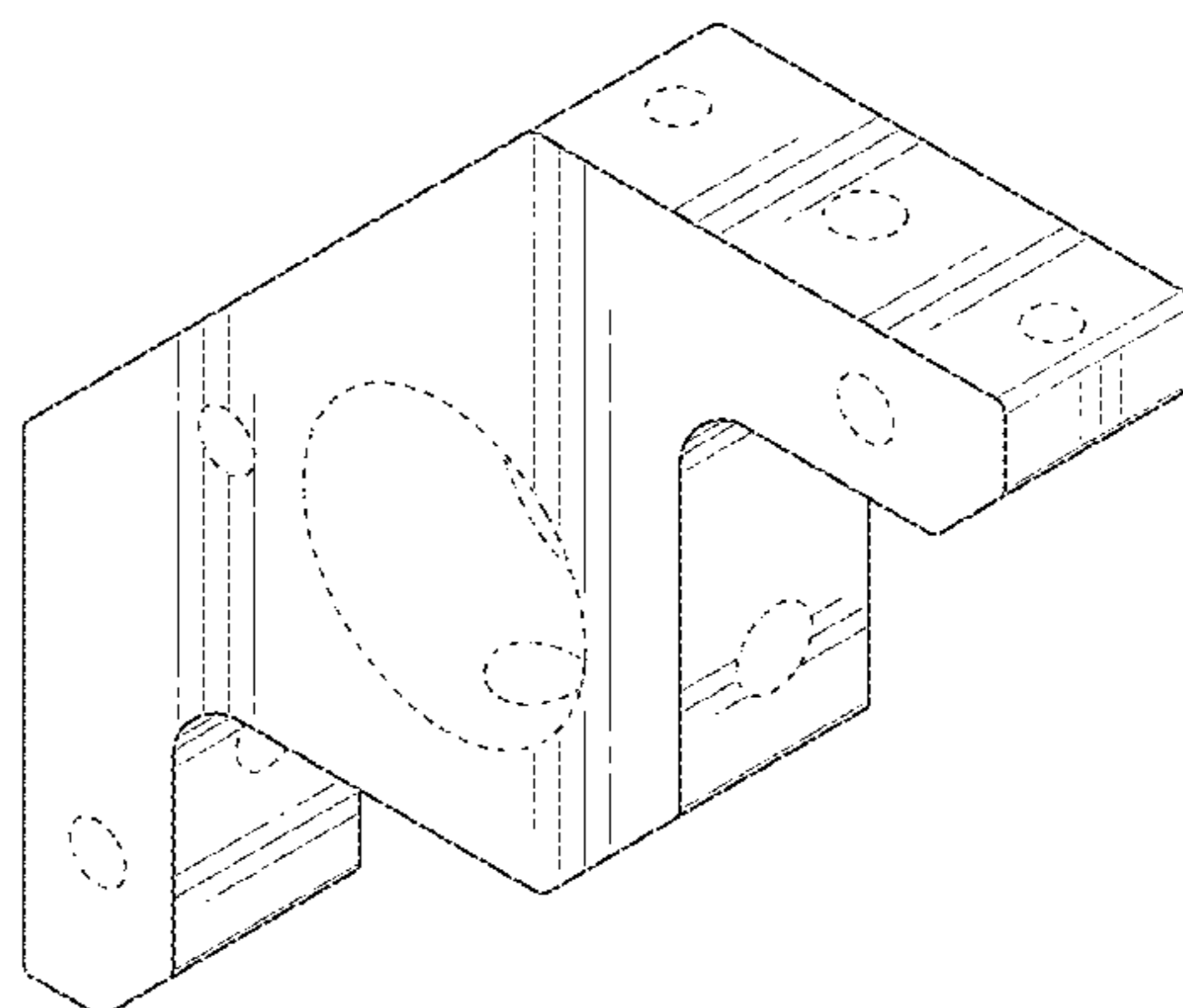
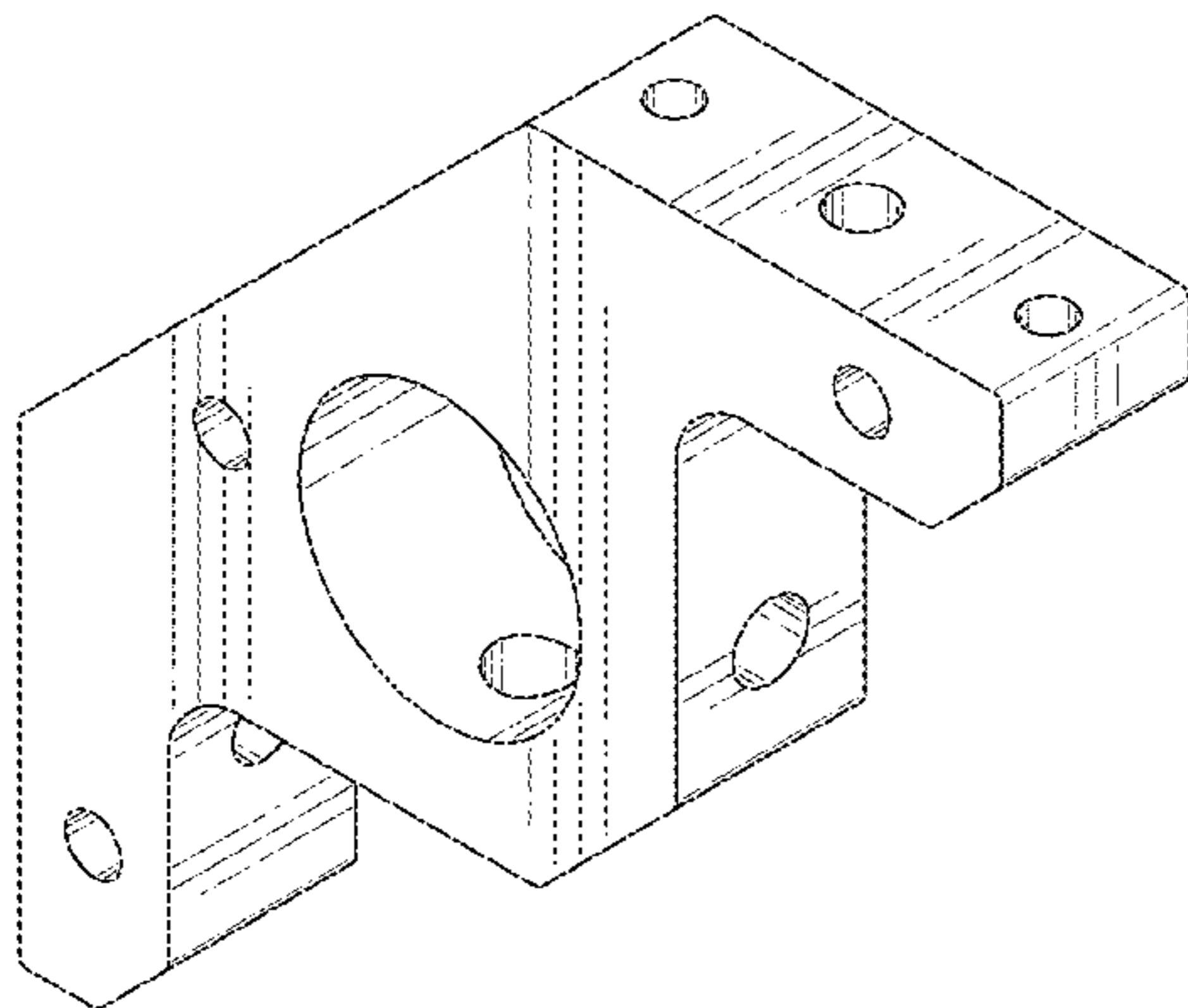
The shade lines in the Figures show contour and not surface ornamentation.

1 Claim, 14 Drawing Sheets

(56) **References Cited**

U.S. PATENT DOCUMENTS

- 3,851,601 A * 12/1974 Davis A47B 87/0215 108/158.11
- 4,124,186 A * 11/1978 Call, Sr. F16B 12/46 248/188
- D342,437 S * 12/1993 Prezner D8/380
- 6,839,936 B2 * 1/2005 Kaufman A47G 27/065 16/12
- 7,080,426 B2 * 7/2006 Roychowdhury ... A47G 27/065 16/10
- D579,321 S * 10/2008 Townley D8/354
- 7,461,431 B2 * 12/2008 Zoroufy A47G 27/065 16/10



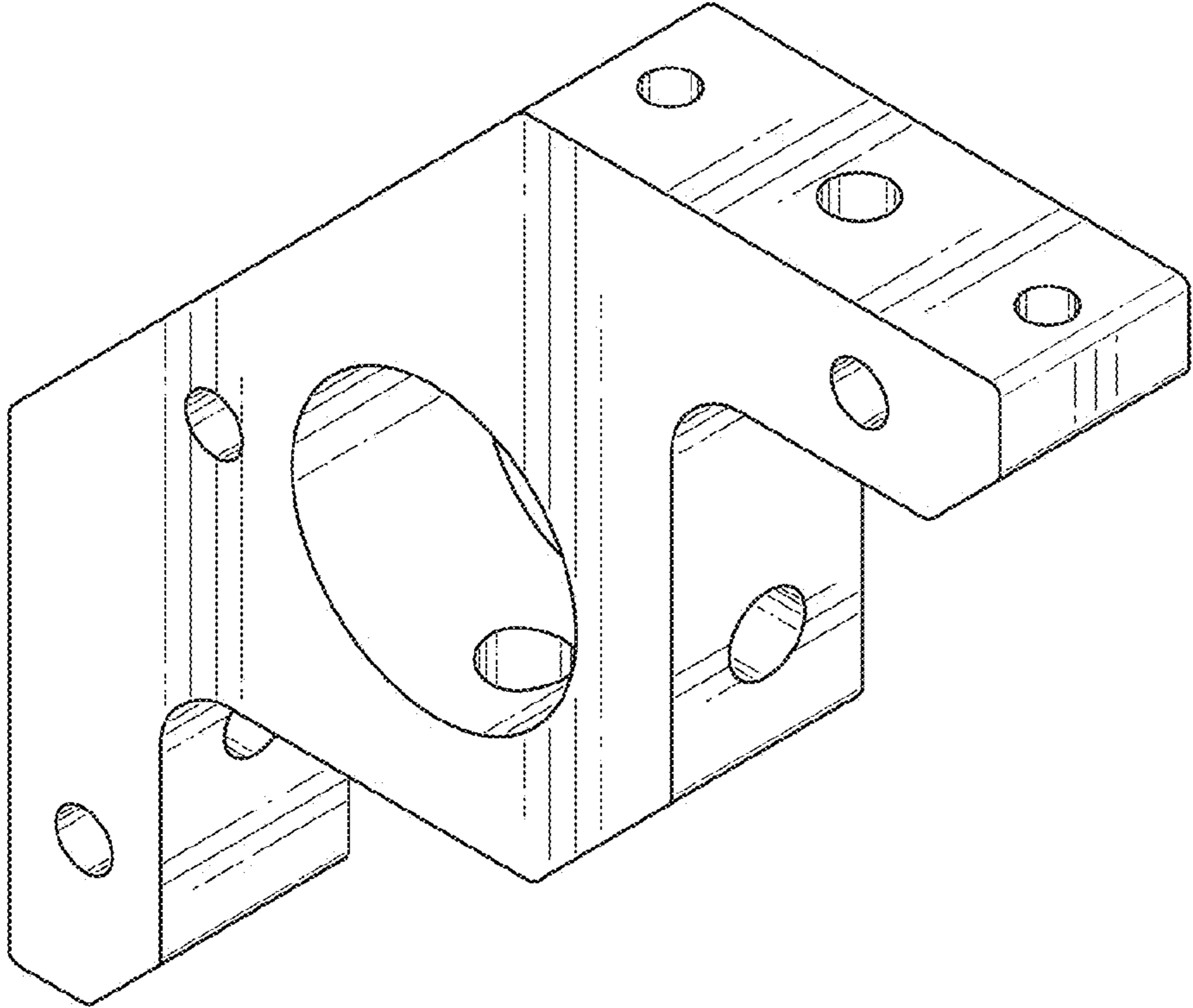


FIG. 1

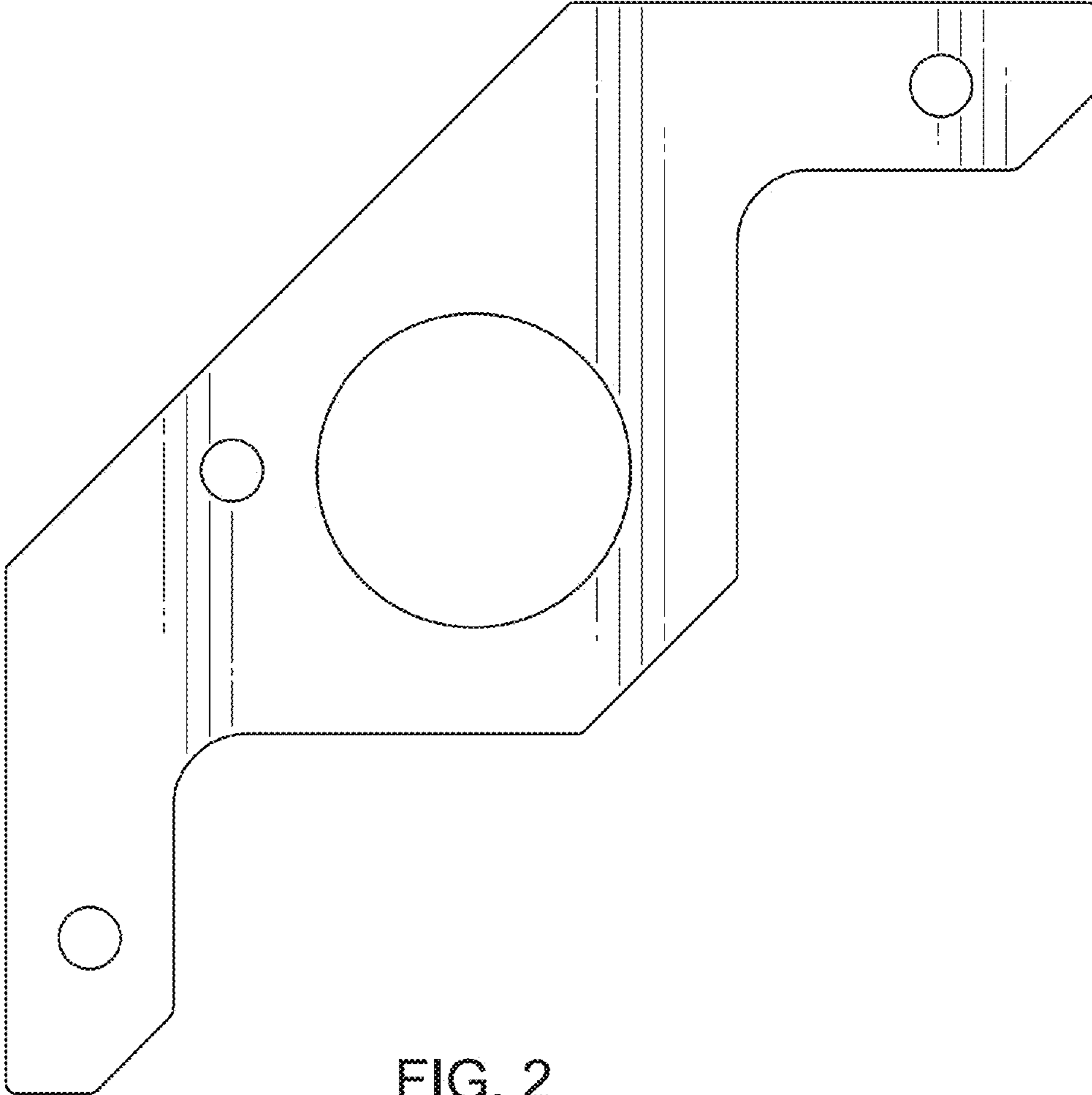


FIG. 2

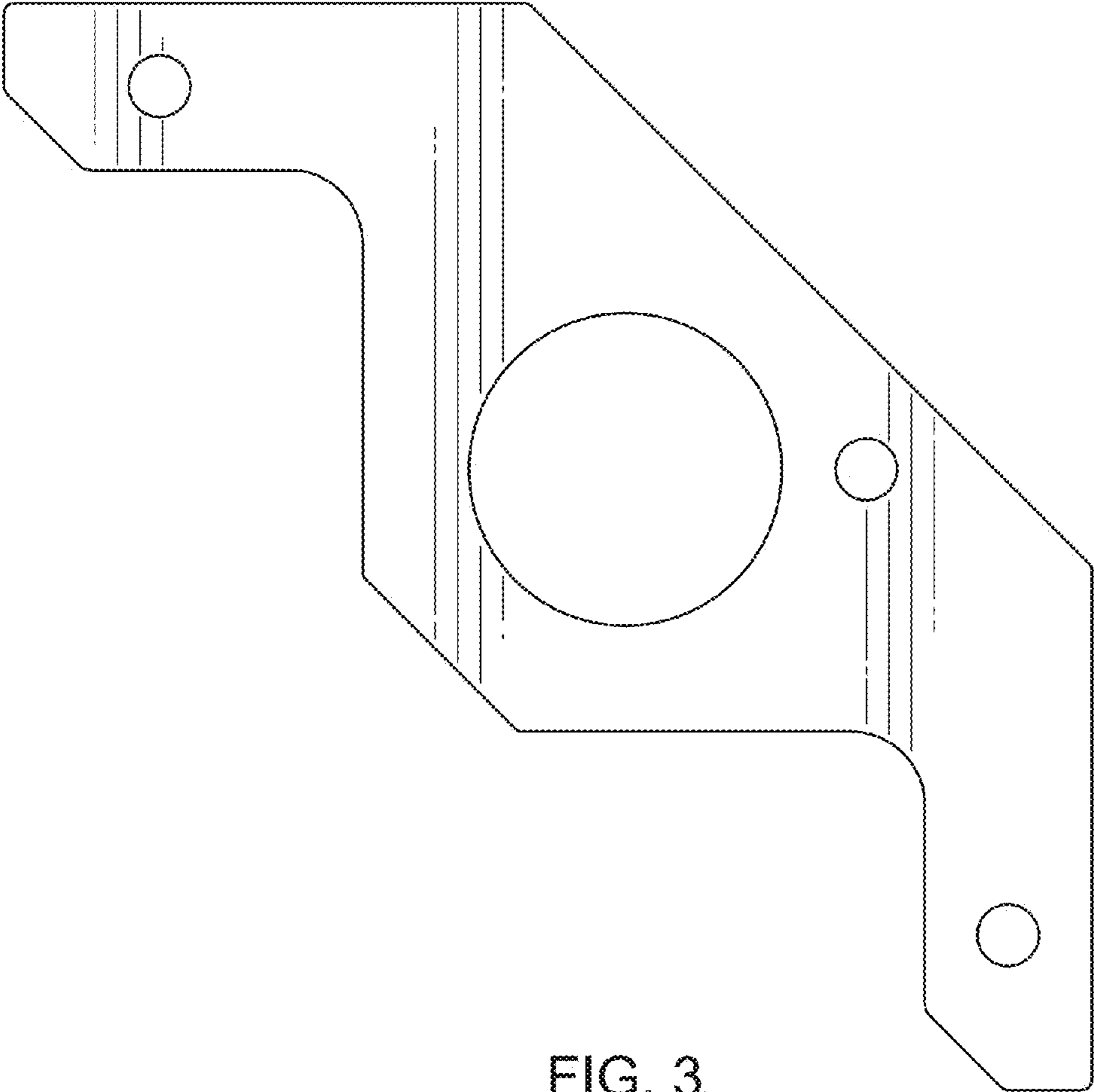


FIG. 3

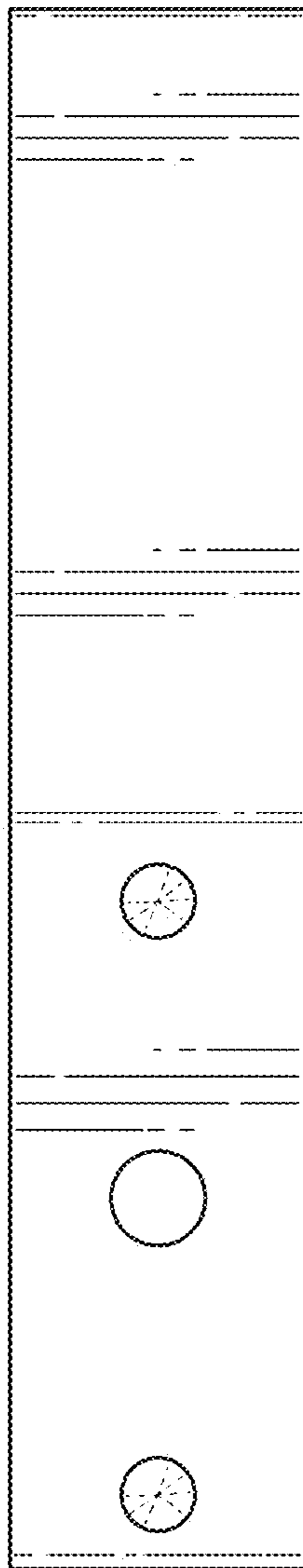


FIG. 4

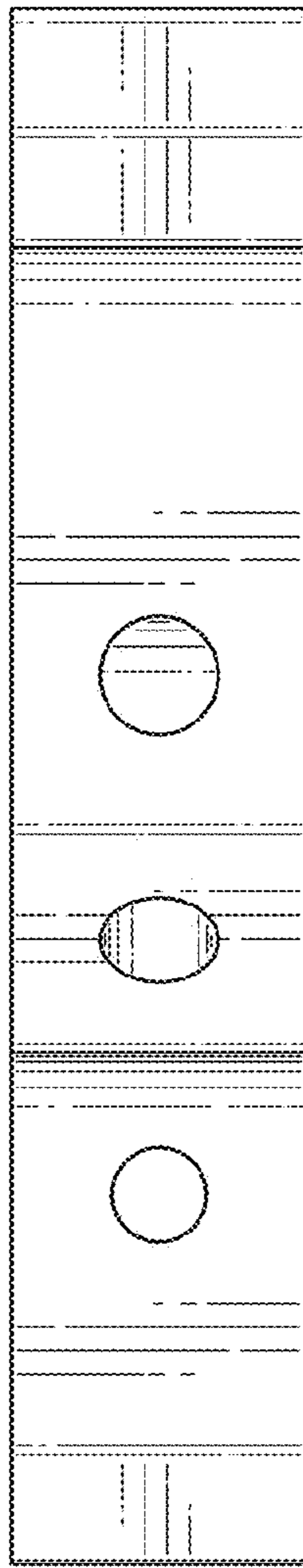


FIG. 5

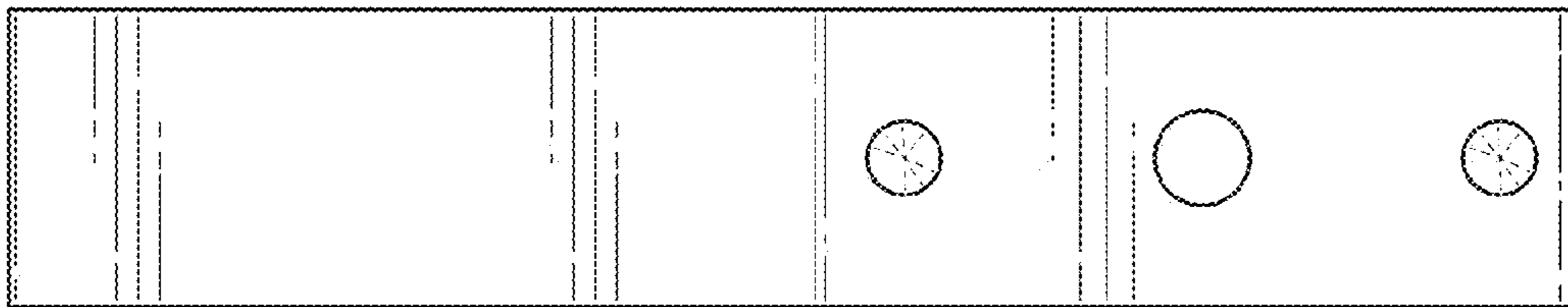


FIG. 6

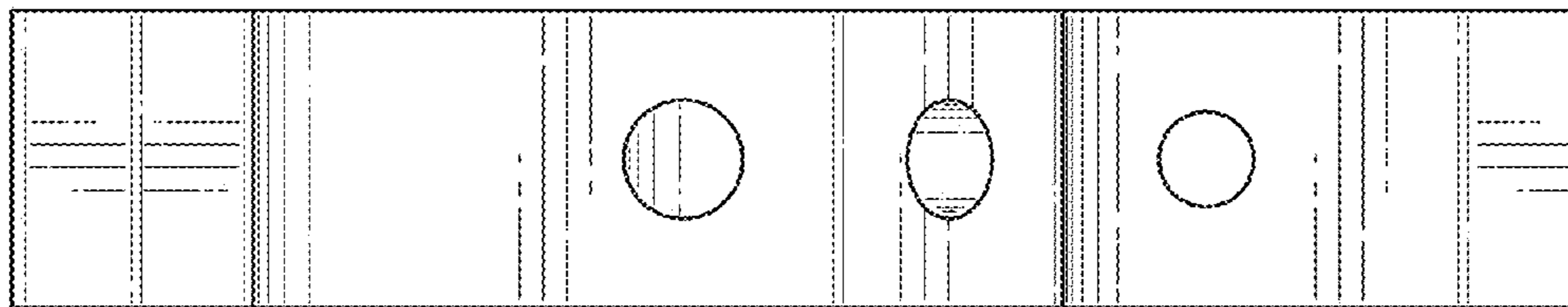


FIG. 7

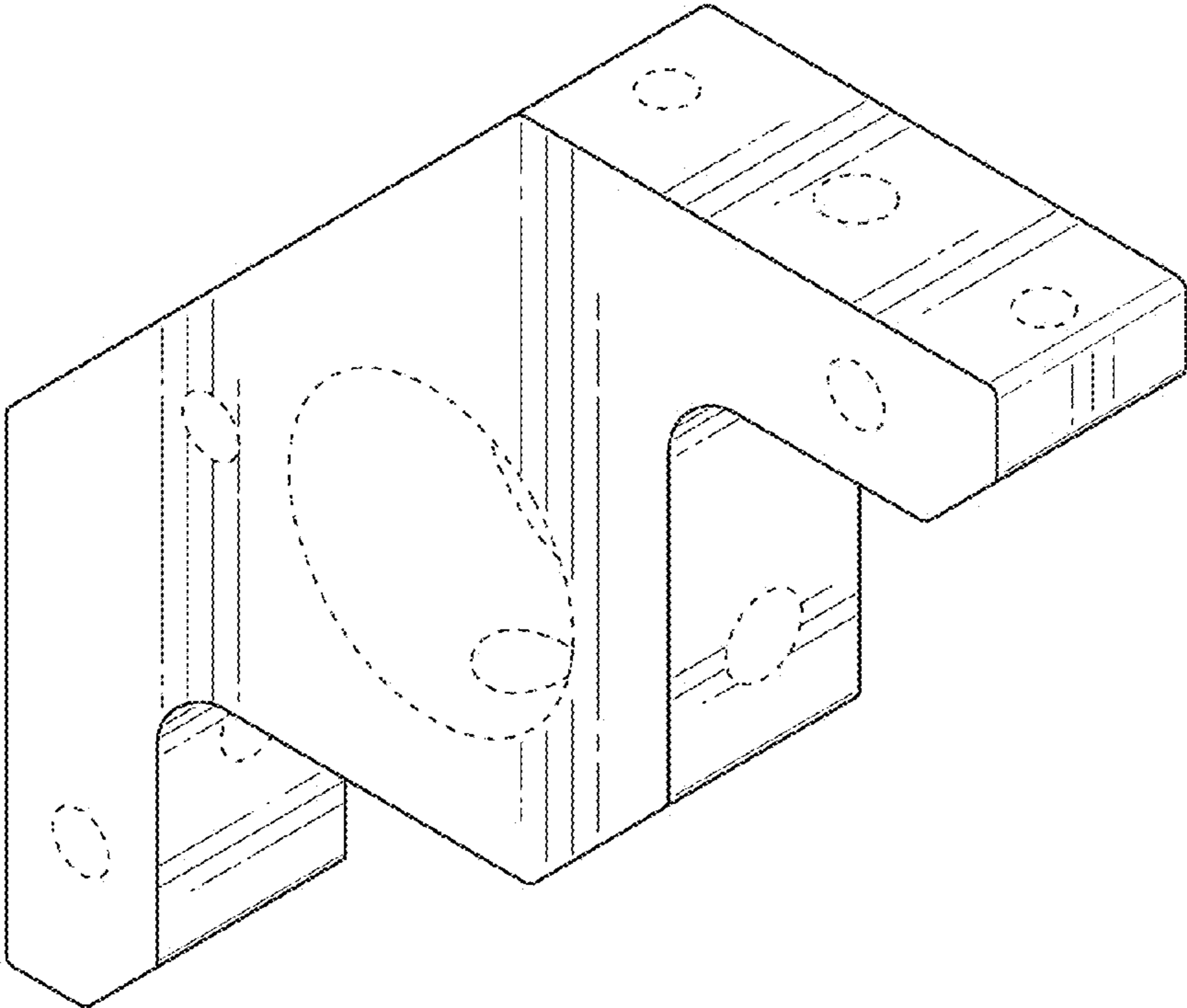


FIG. 8

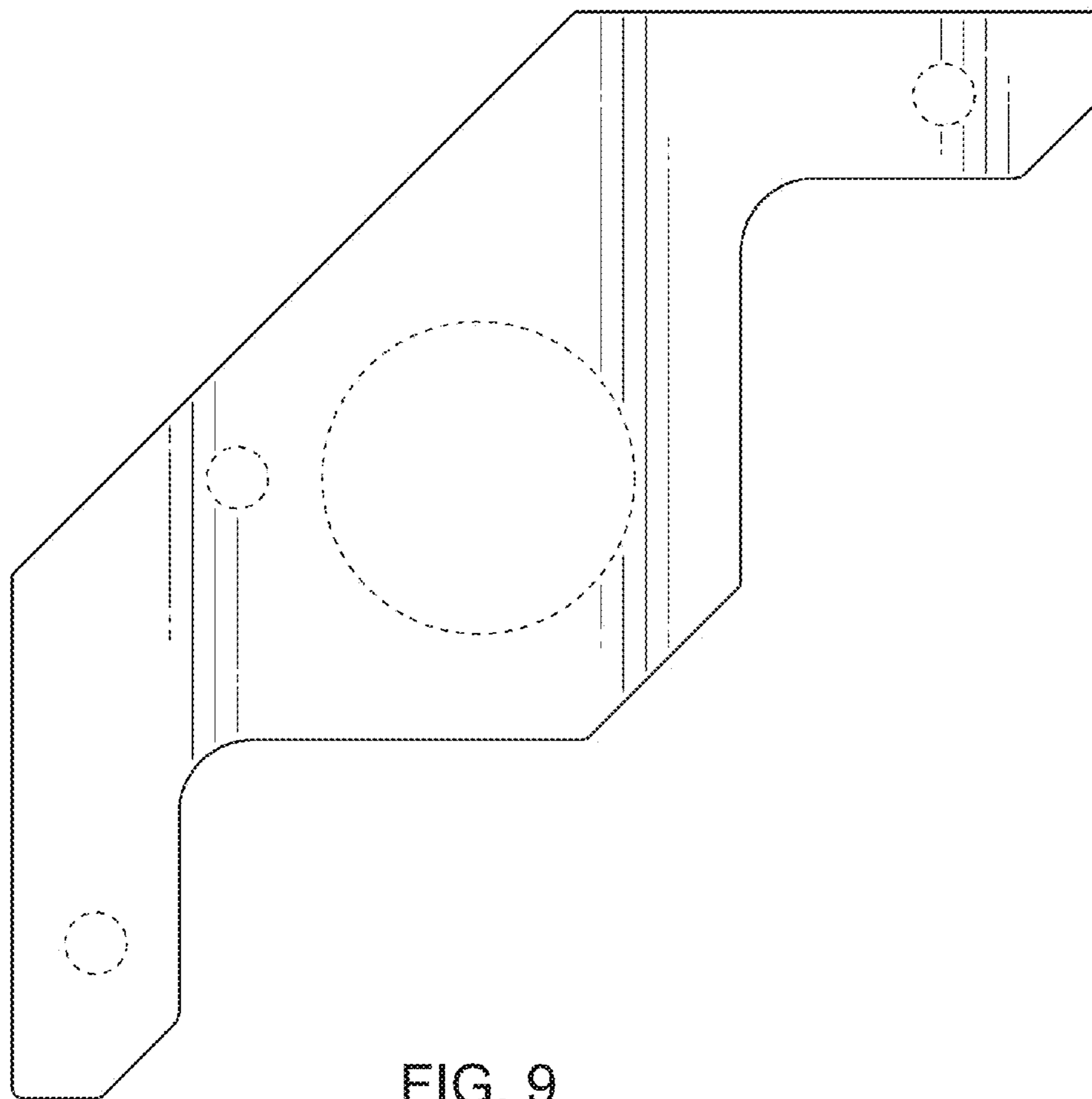


FIG. 9

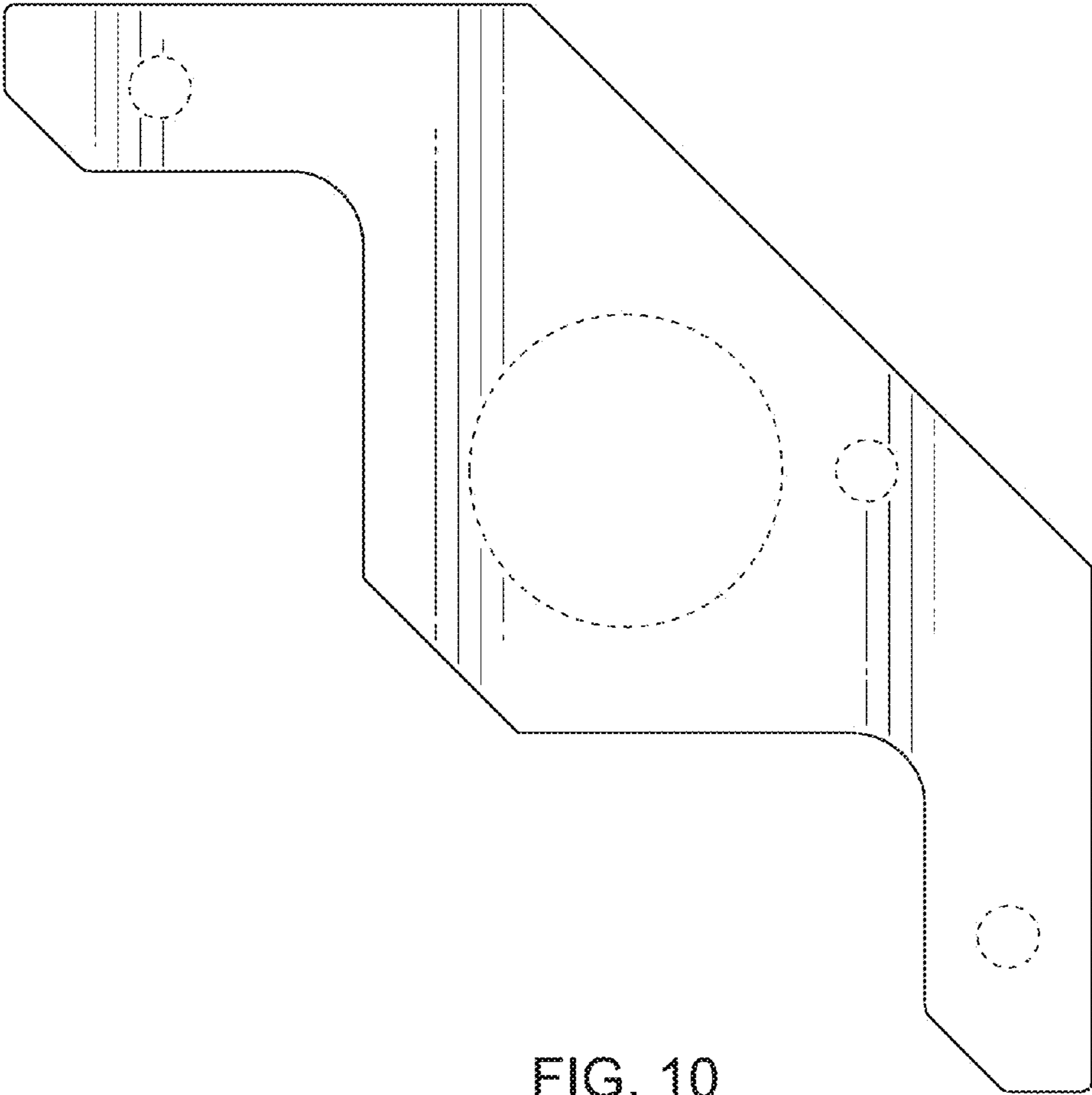


FIG. 10

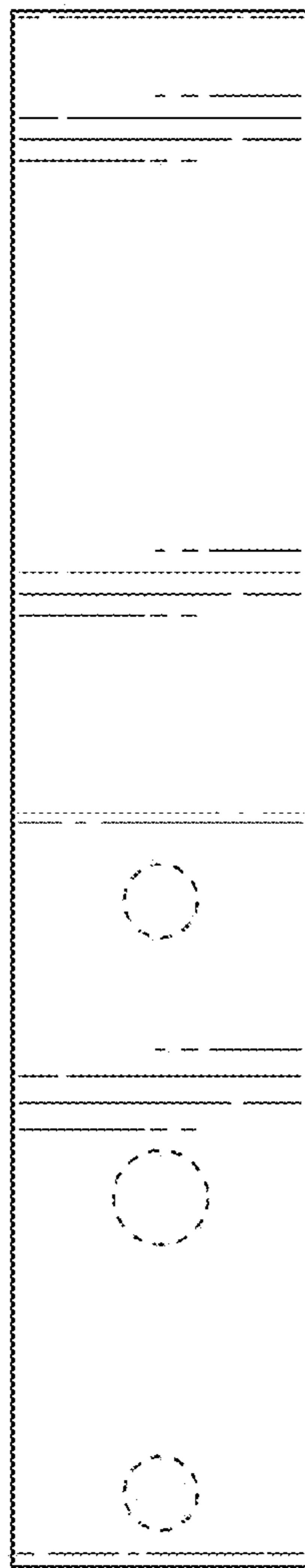


FIG. 11

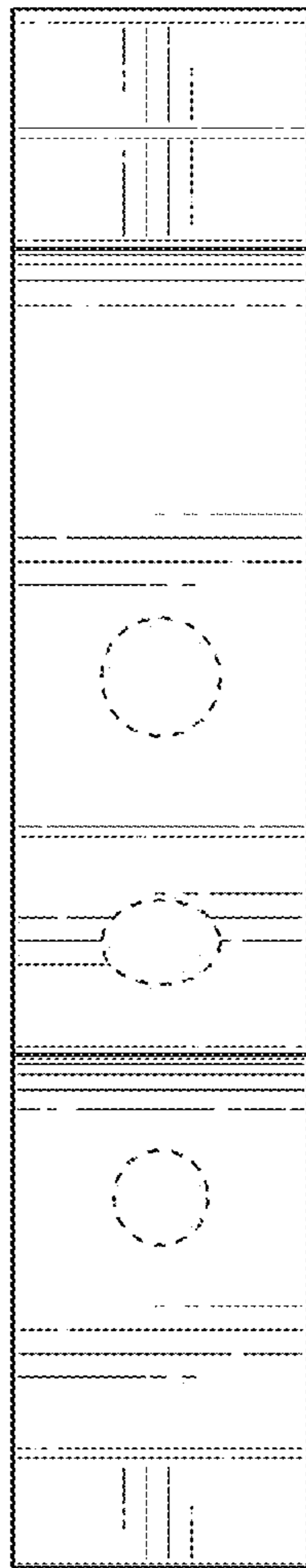


FIG. 12

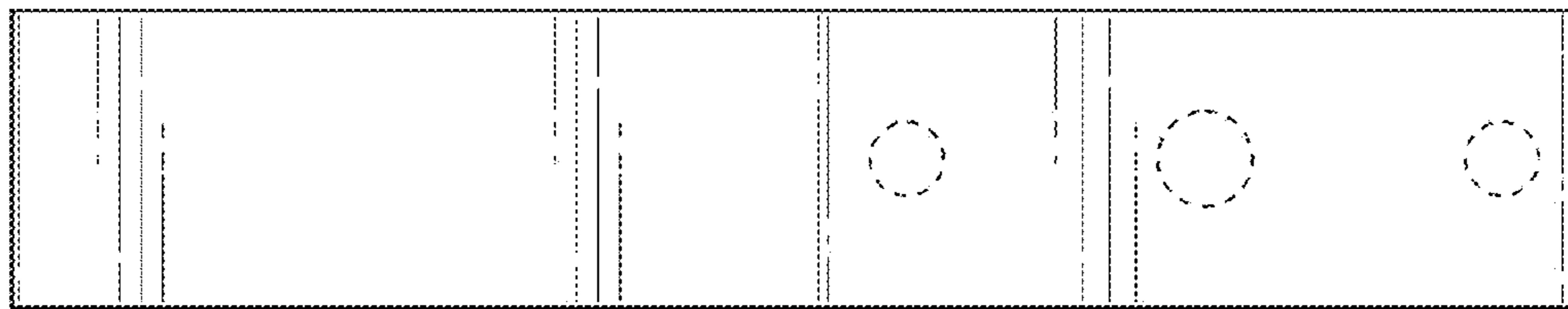


FIG. 13

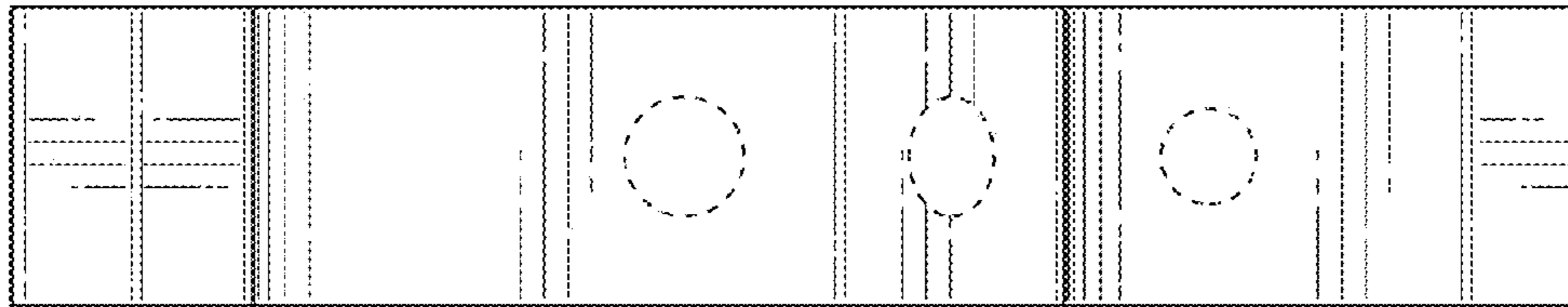


FIG. 14