



US00D761640S

(12) **United States Design Patent**
Cave et al.

(10) **Patent No.:** **US D761,640 S**
(45) **Date of Patent:** **** Jul. 19, 2016**

(54) **LOFT FLOORING SYSTEM SUPPORT LEG**

(71) Applicants: **Piers St. John Spencer Galliard Cave**,
Woking (GB); **Paul Andrew Godfrey**,
New Bridge House (GB); **David John**
Lennan, London (GB)

(72) Inventors: **Piers St. John Spencer Galliard Cave**,
Woking (GB); **Paul Andrew Godfrey**,
New Bridge House (GB); **David John**
Lennan, London (GB)

(**) Term: **14 Years**

(21) Appl. No.: **29/446,367**

(22) Filed: **Feb. 22, 2013**

Related U.S. Application Data

(63) Continuation of application No. 13/771,977, filed on
Feb. 20, 2013.

(51) **LOC (10) Cl.** **08-05**

(52) **U.S. Cl.**
USPC **D8/380**

(58) **Field of Classification Search**
USPC D8/373, 353, 380; D25/4, 55, 56, 61,
D25/119, 120, 126, 128, 133; 52/79.1, 79.2,
52/79.9, 146, 151, 152, 236.8, 236.9, 261,
52/264, 344, 348, 637, 638, 643, 650.3,
52/651.3, 654.1, 656.9
CPC E04B 2001/1918; E04B 1/19; E04C 3/11;
E04C 3/10; E04C 2003/02; E04C 2003/026;
E04C 2003/04
See application file for complete search history.

(56) **References Cited**

U.S. PATENT DOCUMENTS

1,393,996 A * 10/1921 Fregonara A63H 33/108
182/187
3,830,031 A * 8/1974 Soisson 52/645
4,324,083 A * 4/1982 Johnson, Jr. 52/653.2

4,525,972 A * 7/1985 Palacio et al. 52/643
4,601,152 A * 7/1986 Coppa 52/637
4,831,797 A * 5/1989 Vladikovic E04G 11/38
52/126.6
D374,292 S * 10/1996 Koo D25/61
5,761,873 A * 6/1998 Slater E04B 1/08
52/633
D418,230 S * 12/1999 Linsley D25/61
D419,691 S * 1/2000 Fisher D25/61
D426,316 S * 6/2000 Fisher D25/61
7,669,379 B2 * 3/2010 Schierding 52/634
8,448,406 B2 * 5/2013 Shepard 52/745.2
D723,904 S * 3/2015 Cave D8/380
2014/0130427 A1 * 5/2014 Hall et al. 52/126.6

* cited by examiner

Primary Examiner — Sheryl Lane

Assistant Examiner — Ieisha Price

(74) *Attorney, Agent, or Firm* — Invention To Patent
Services; Alex Hobson

(57) **CLAIM**

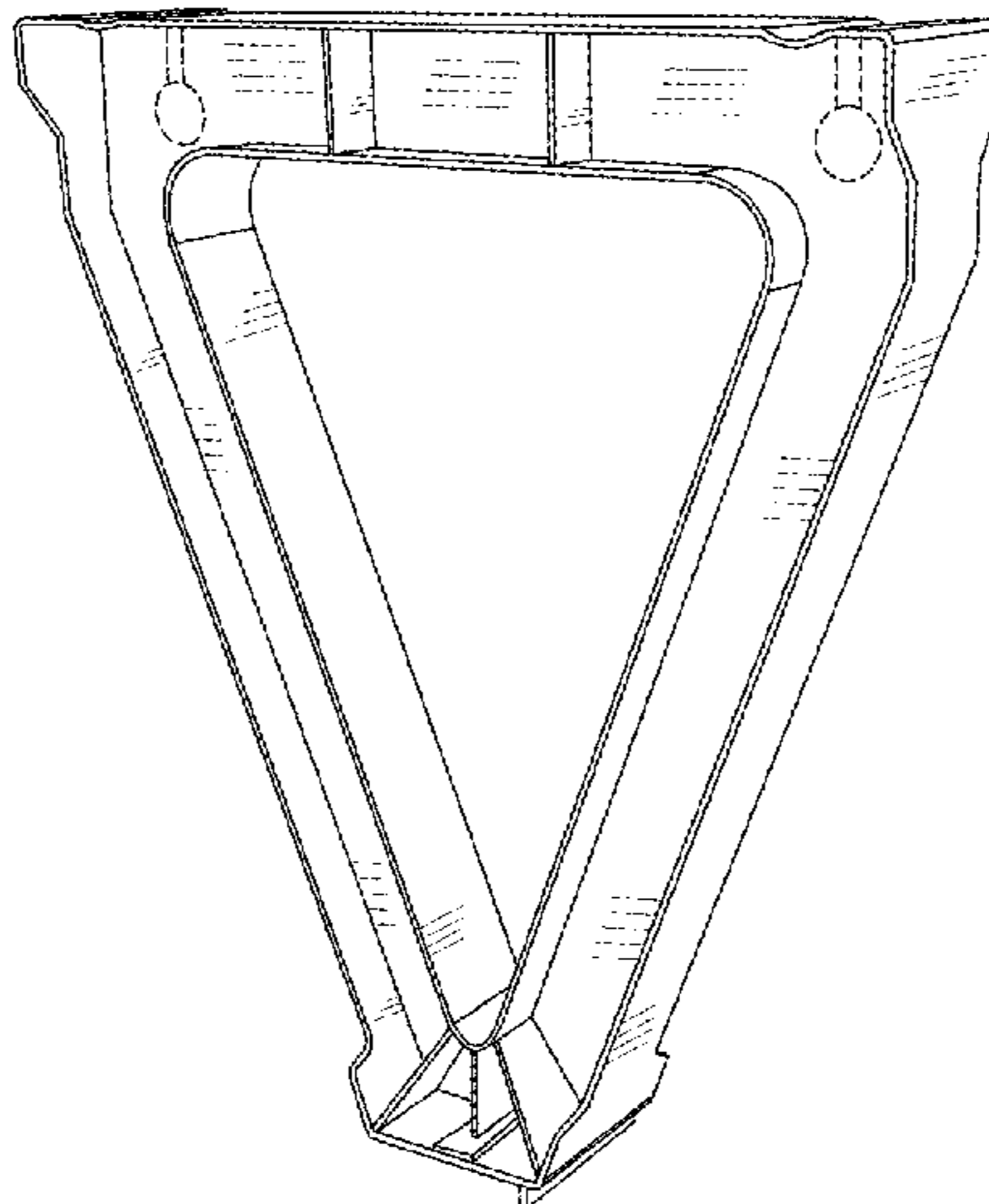
The ornamental design for a loft flooring system support leg,
as shown and described.

DESCRIPTION

FIG. 1 is an isometric view of a loft flooring system support
leg;
FIG. 2 is an isometric view of a loft flooring system support
leg;
FIG. 3 is a side view of a loft flooring system support leg;
FIG. 4 is a front view of a loft flooring system support leg;
FIG. 5 is a top down view of a loft flooring system support leg;
and,
FIG. 6 is an environmental isometric view of the loft flooring
system support leg.

The broken lines shown in FIGS. 1, 2 and 4 illustrate portions
of the loft flooring system support leg and form no part of the
claimed design. The broken lines showing of the spanning
elements, in FIG. 6, represent the environment of the claimed
design and forms no part thereof.

1 Claim, 3 Drawing Sheets



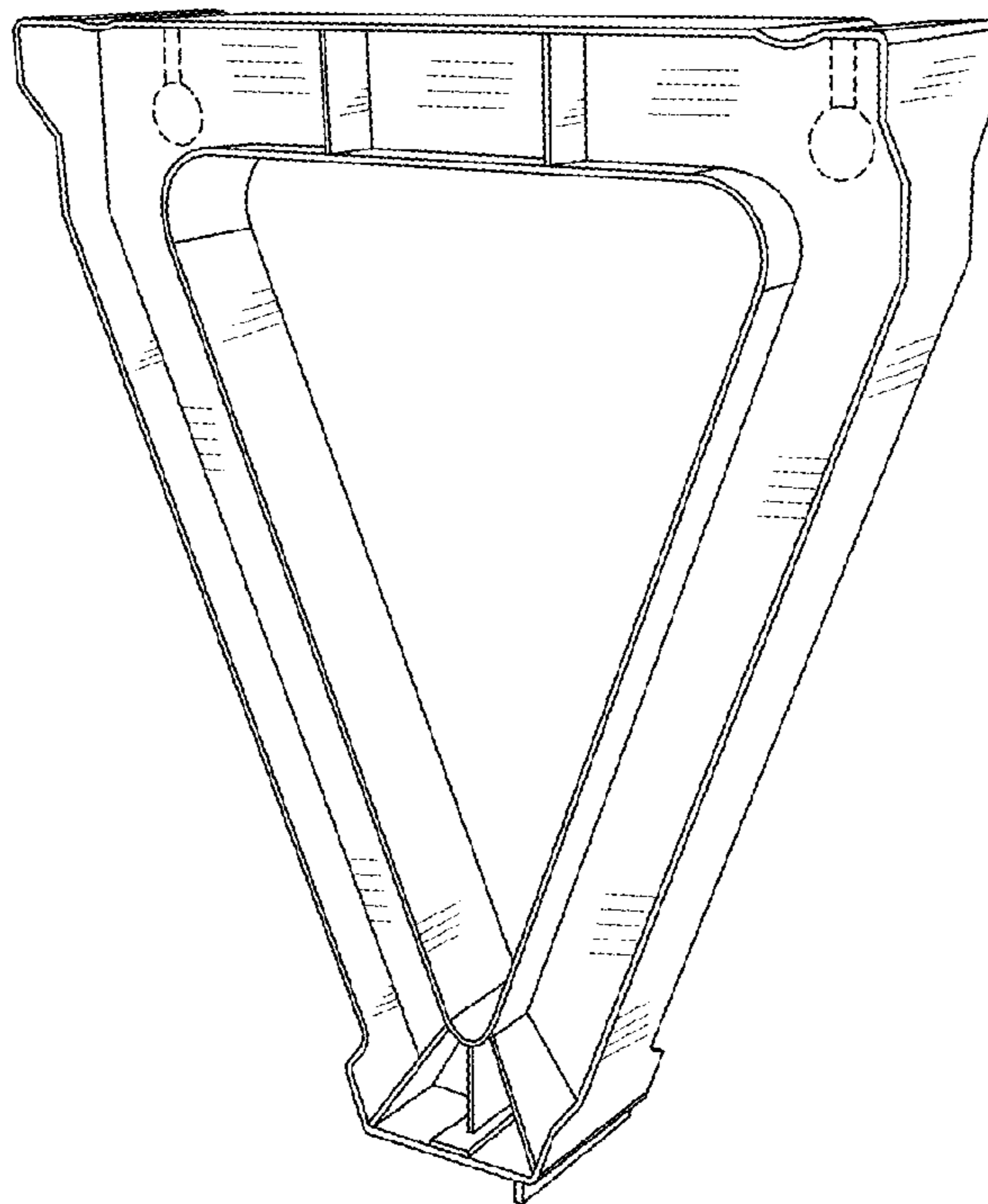


FIG. 1

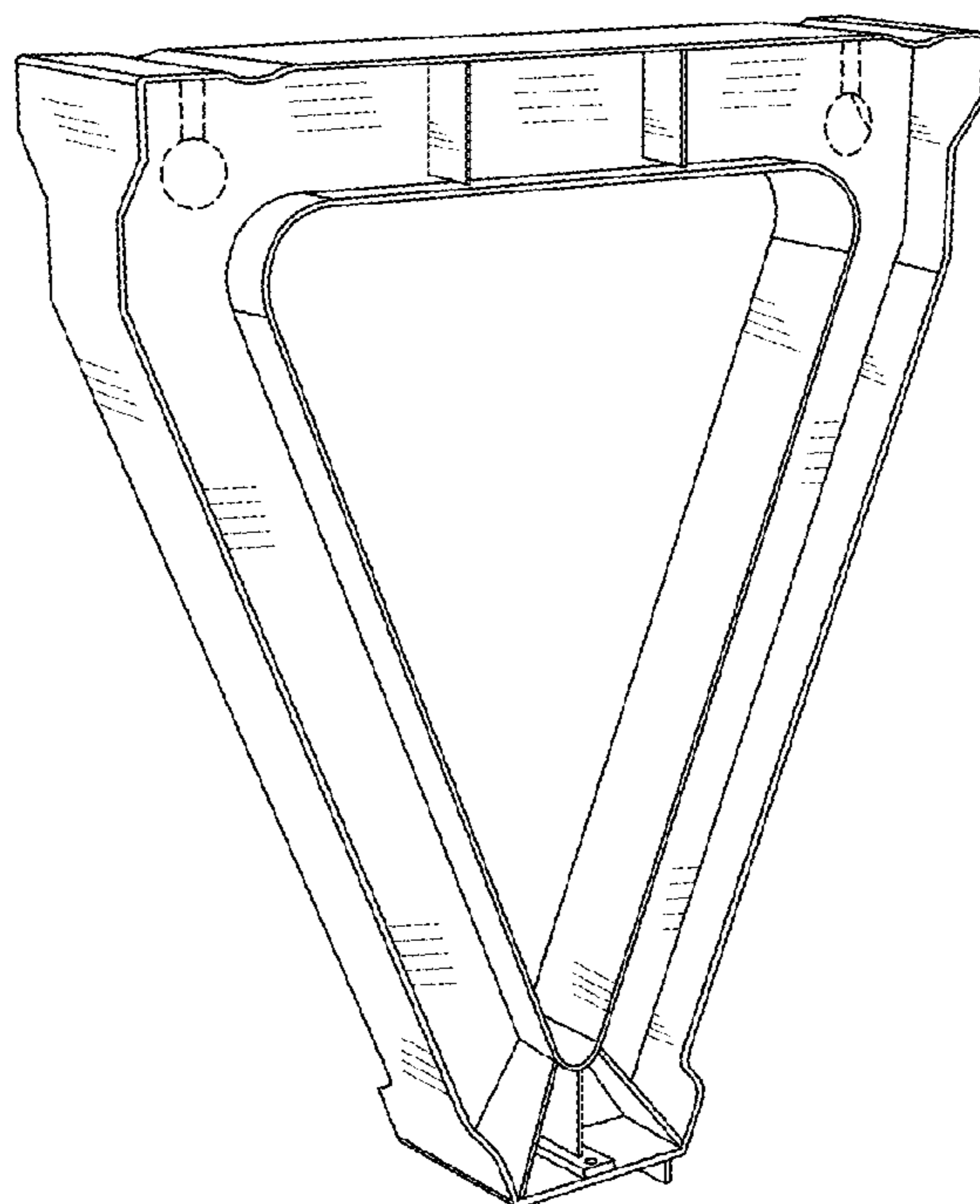


FIG. 2

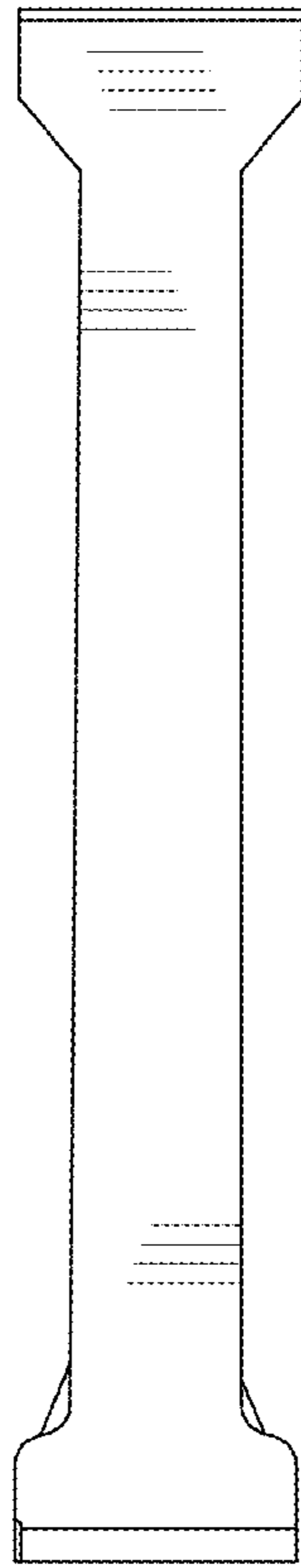


FIG. 3

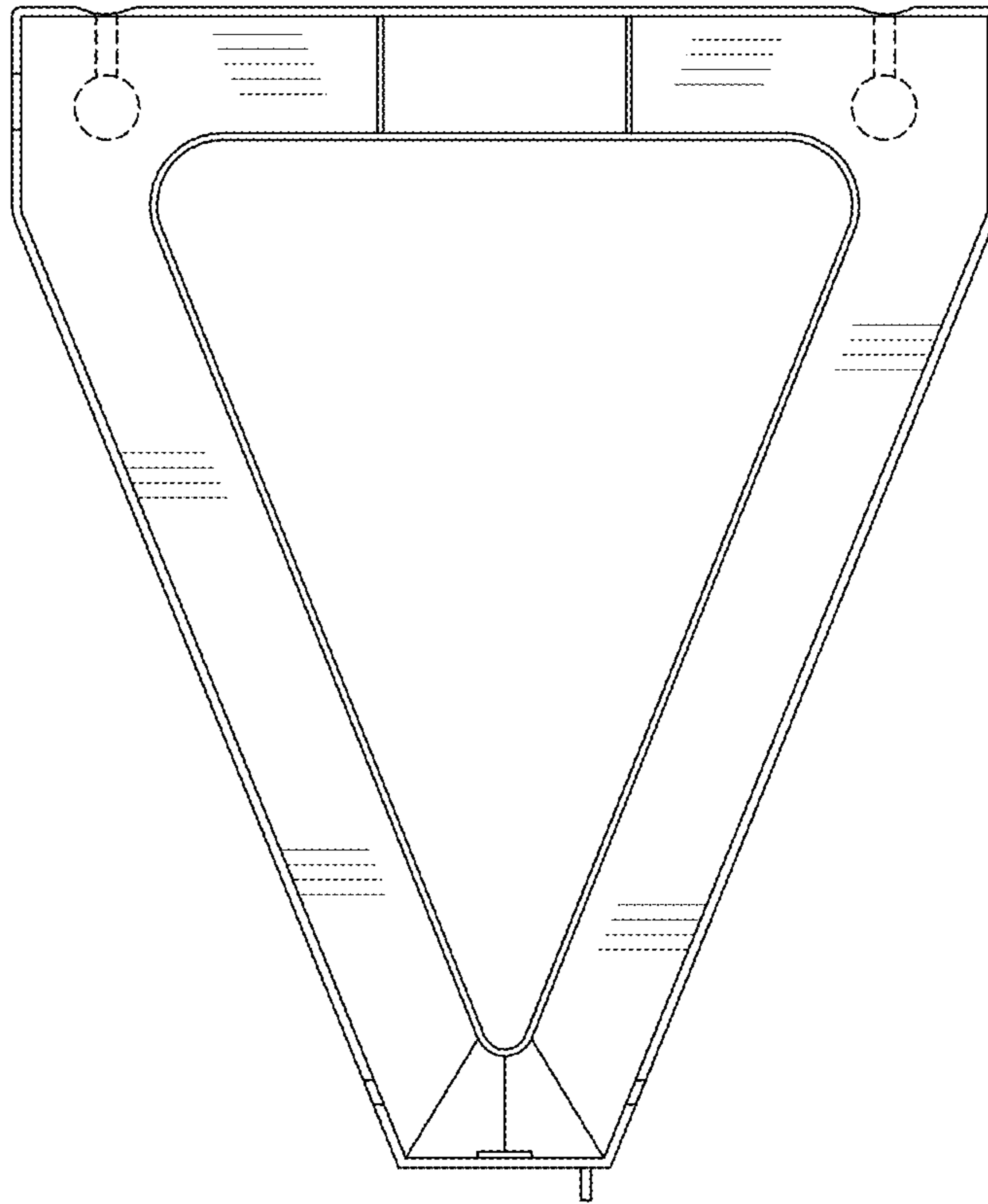


FIG. 4

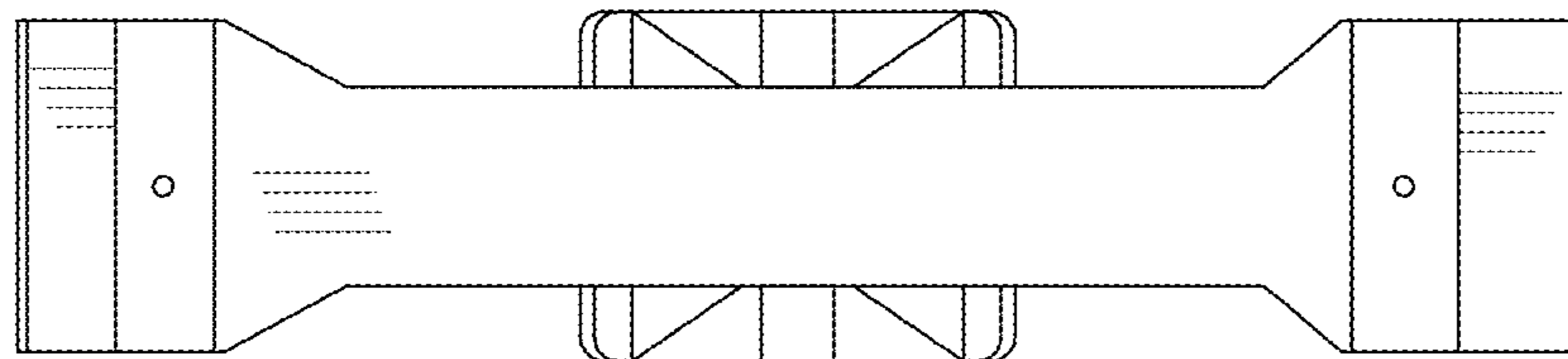


FIG. 5

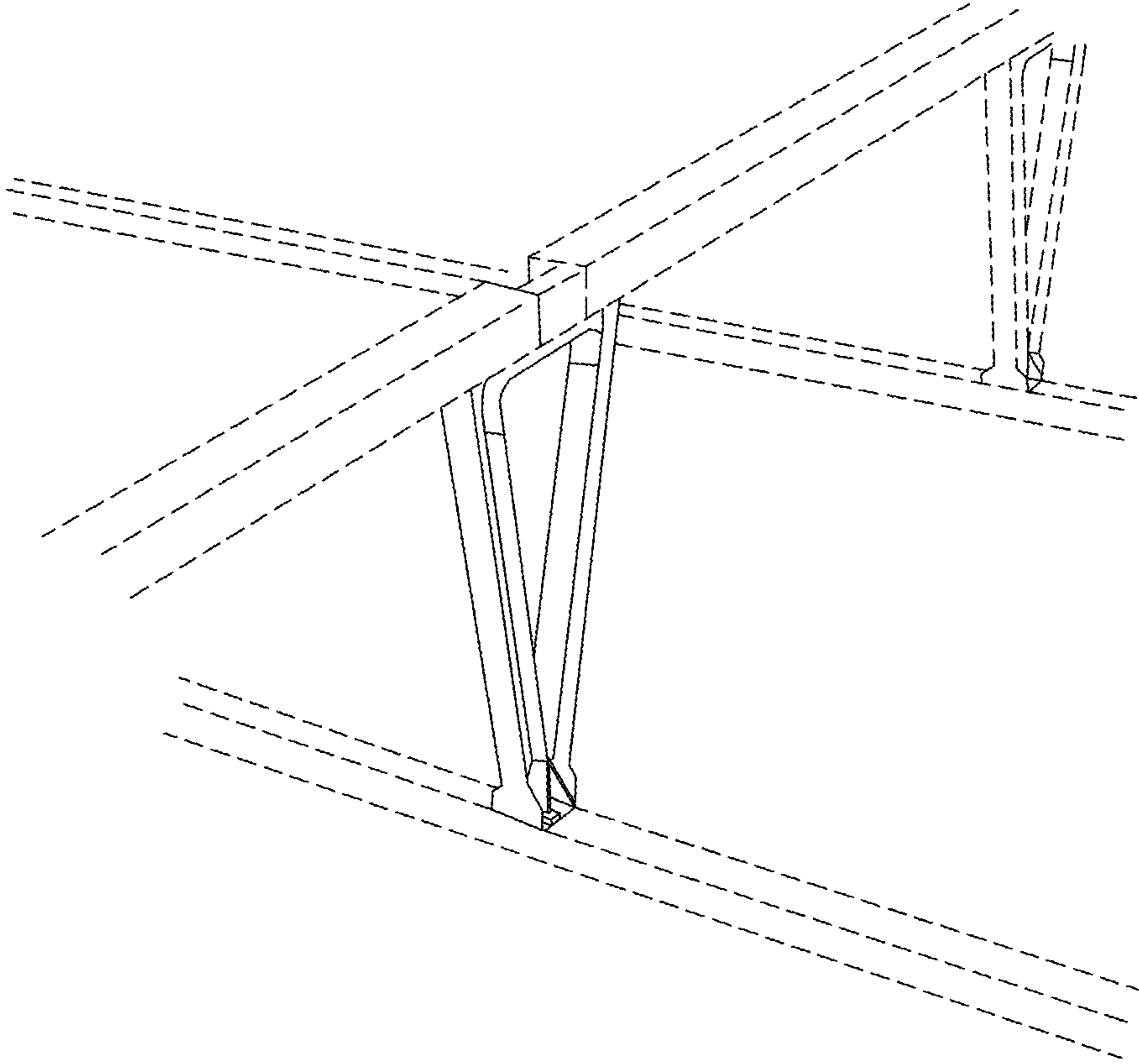


FIG. 6