



US00D761639S

(12) **United States Design Patent**
Hsu

(10) **Patent No.:** **US D761,639 S**
(45) **Date of Patent:** **** Jul. 19, 2016**

(54) **BATH CURTAIN BUCKLE**
(71) Applicant: **Shaoxing County Runzhuo Home Textile Co. LTD**, Shaoxing (CN)
(72) Inventor: **Pong-Chang Hsu**, City of Industry, CA (US)
(**) Term: **15 Years**

(21) Appl. No.: **29/536,626**
(22) Filed: **Aug. 18, 2015**
(51) **LOC (10) Cl.** **08-05**
(52) **U.S. Cl.**
USPC **D8/367**
(58) **Field of Classification Search**
USPC D8/367, 354, 349, 356
CPC A62B 1/00; A62B 7/00
See application file for complete search history.

(56) **References Cited**
U.S. PATENT DOCUMENTS
D551,950 S * 10/2007 Davenport D8/367
7,788,733 B1 * 9/2010 Zahner A47K 10/02
2/158
D664,423 S * 7/2012 Cittadino D8/367

D664,424 S * 7/2012 Cittadino D8/367
D668,941 S * 10/2012 Taurins D8/367
D699,147 S * 2/2014 Fissell D11/95
9,080,715 B2 * 7/2015 Biddle F16M 13/022
9,107,544 B2 * 8/2015 Cittadino A47H 13/02
D740,646 S * 10/2015 Sargent D8/367
D744,598 S * 12/2015 Hollywood D21/484
D746,078 S * 12/2015 Zahner D6/580
2008/0178423 A1 * 7/2008 Patel A47H 13/00
16/87.2

* cited by examiner

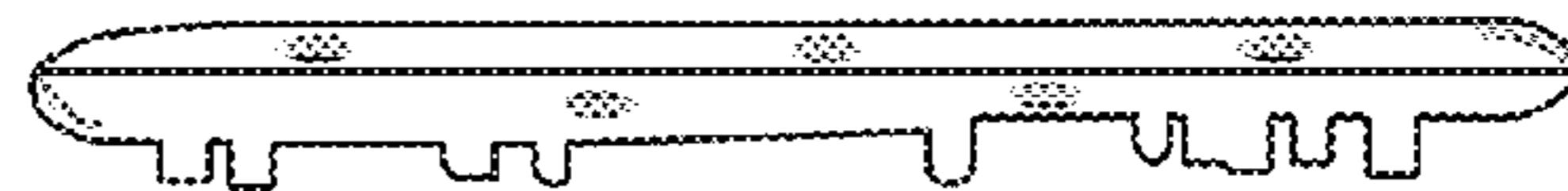
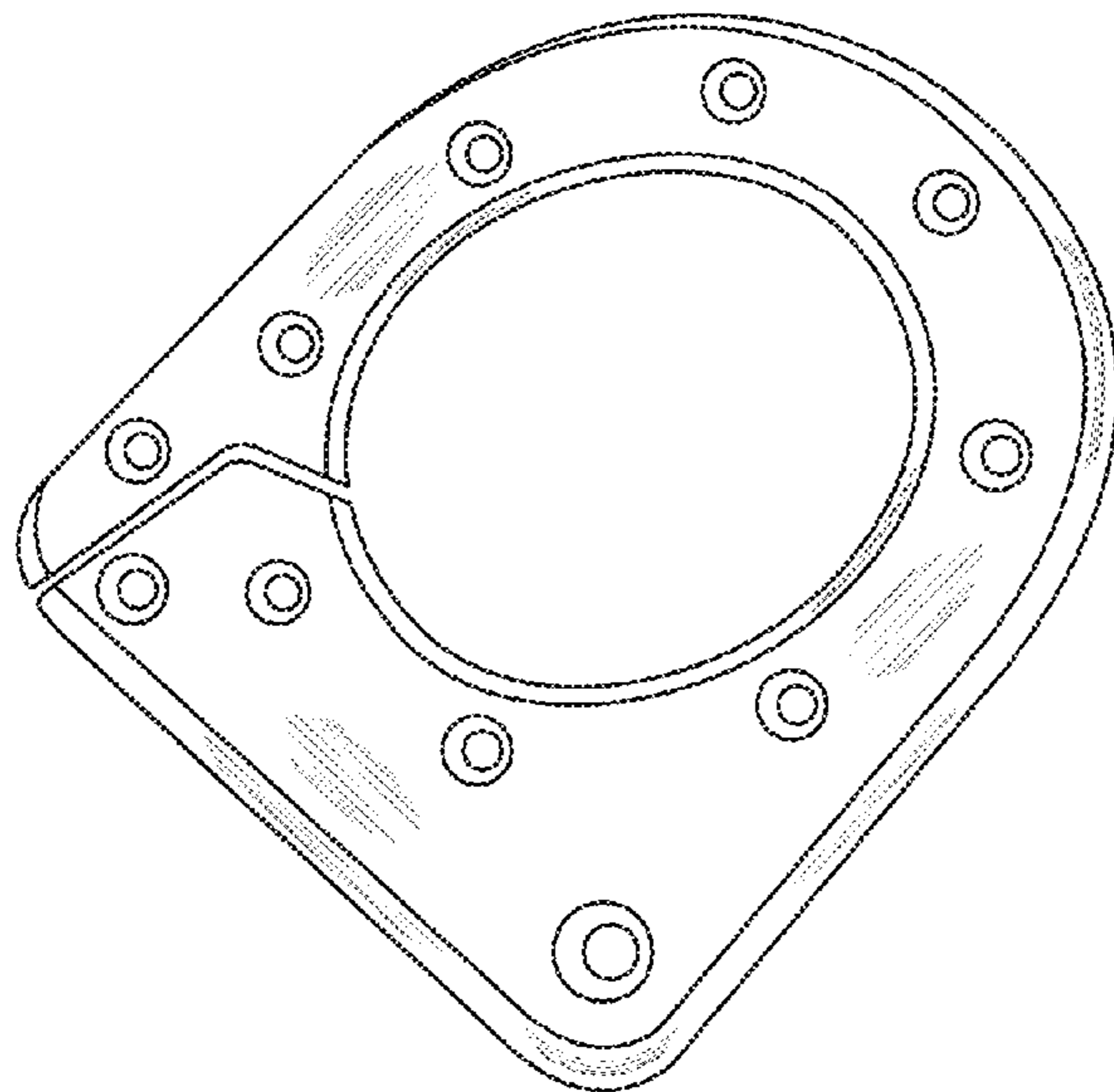
Primary Examiner — Cynthia Underwood
(74) *Attorney, Agent, or Firm* — Songfong T. Wang; Yang & Wang, P.C.

(57) **CLAIM**
The ornamental design for a bath curtain buckle, as shown.

DESCRIPTION

FIG. 1 is a front perspective view of the bath curtain buckle, displaying my new design;
FIG. 2 is a front view thereof;
FIG. 3 is a back view thereof;
FIG. 4 is a top view thereof;
FIG. 5 is a bottom view thereof;
FIG. 6 is a left side view thereof; and,
FIG. 7 is a right side view thereof.

1 Claim, 4 Drawing Sheets



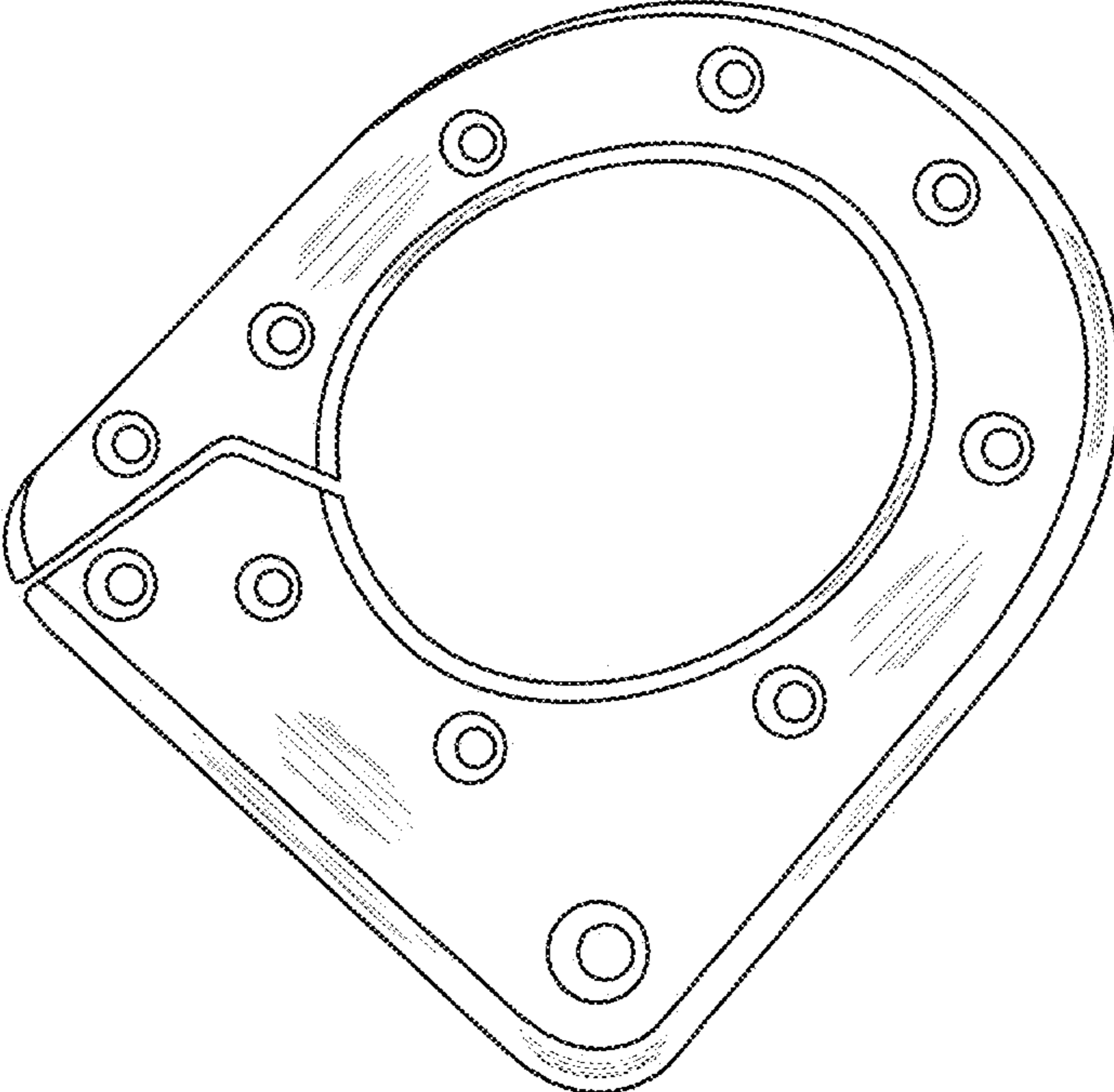


FIG. 1

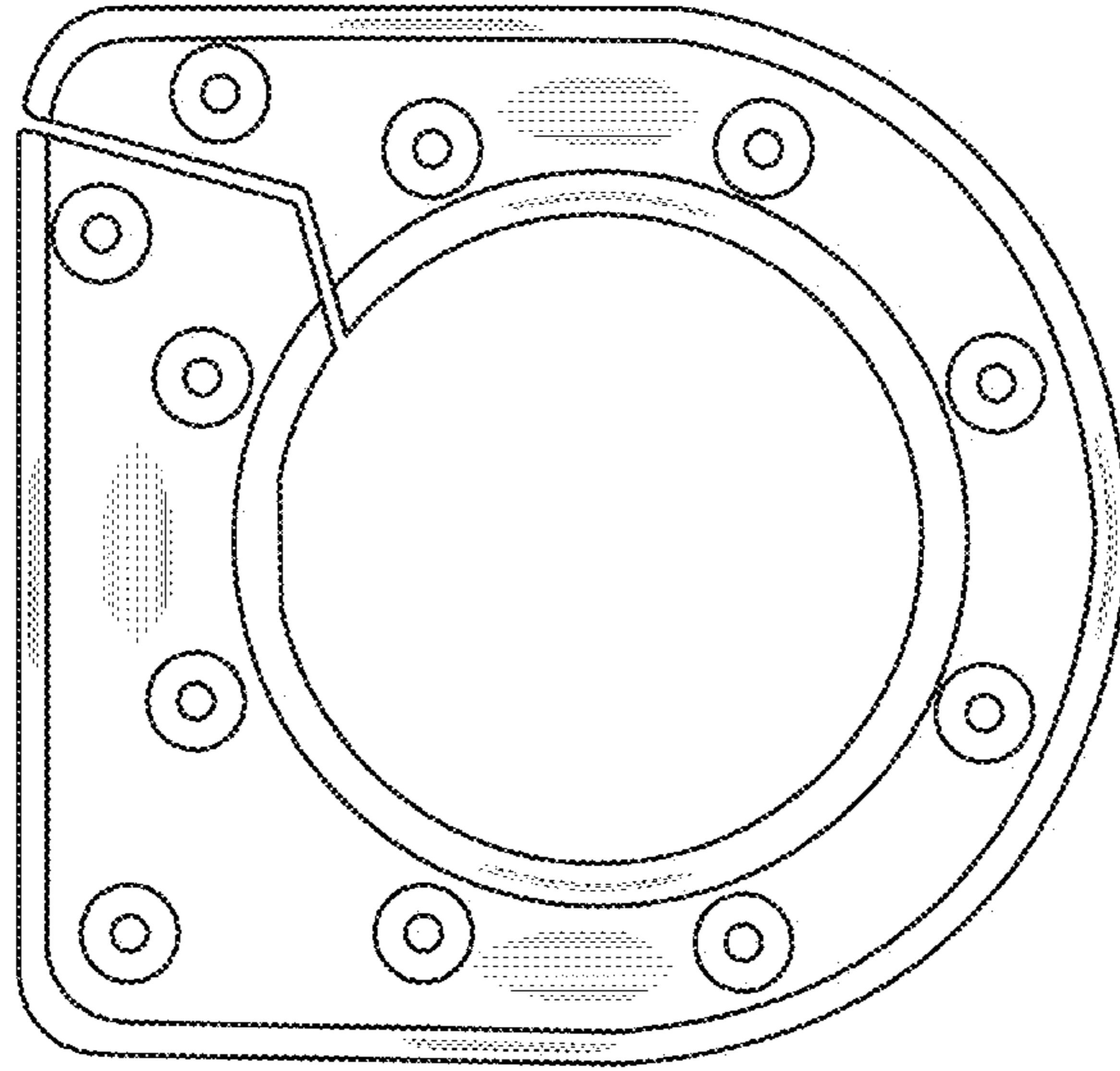


FIG. 2

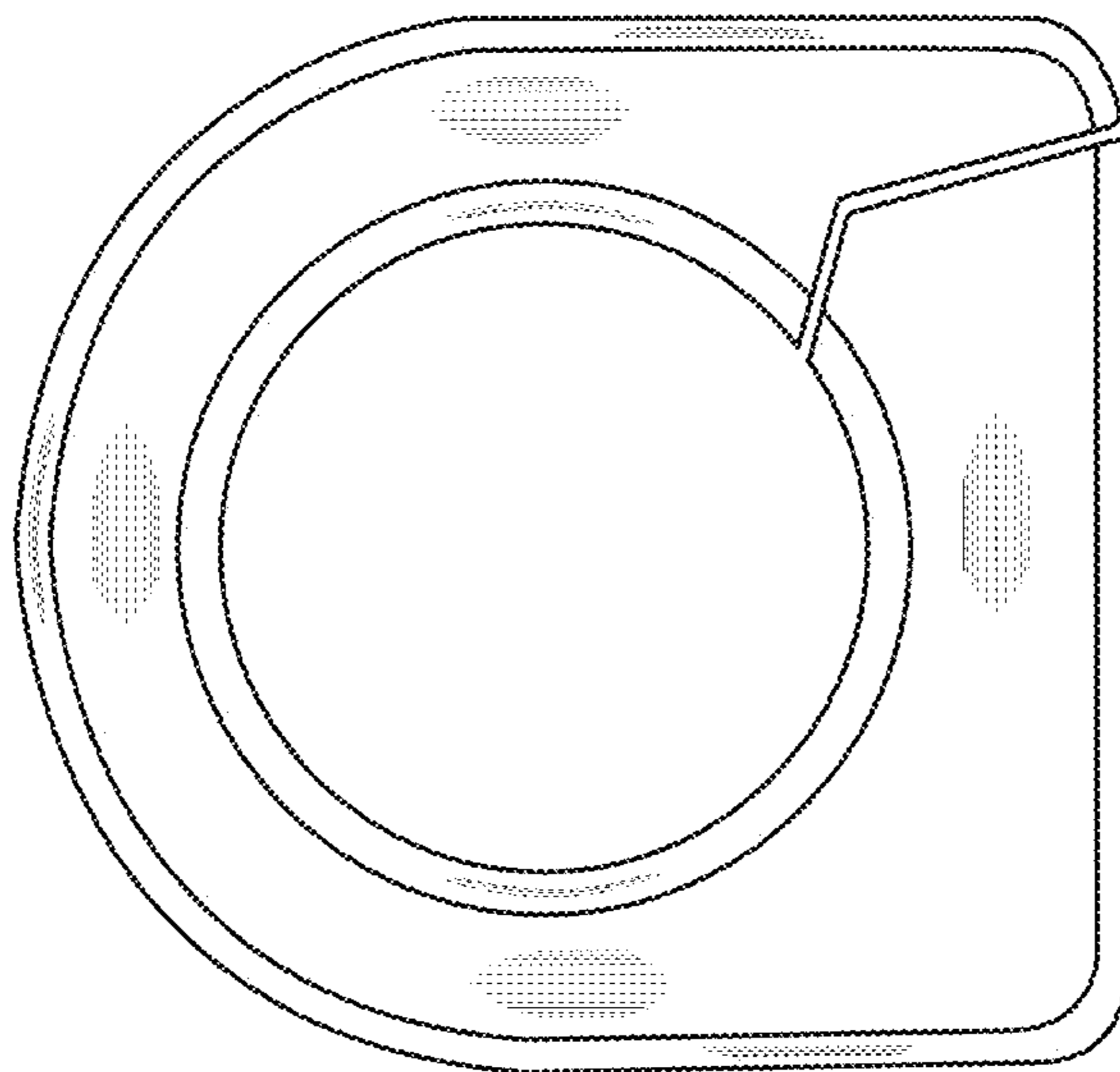


FIG. 3

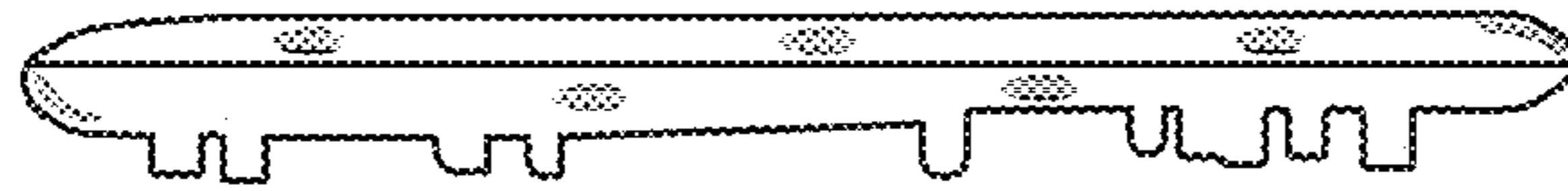


FIG. 4



FIG. 5

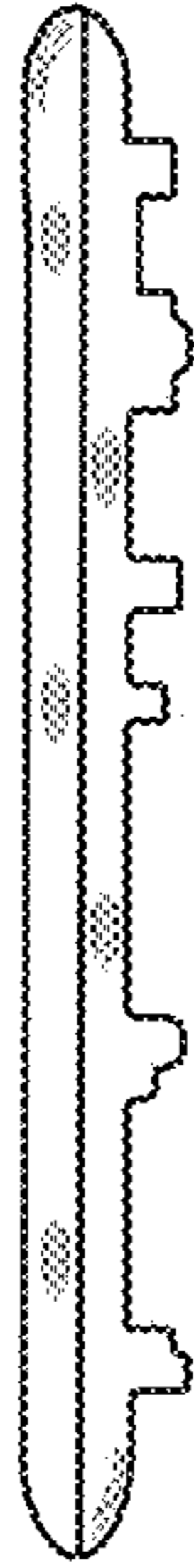


FIG. 6



FIG. 7