



US00D761636S

(12) **United States Design Patent**
Little

(10) **Patent No.:** **US D761,636 S**
(45) **Date of Patent:** **** Jul. 19, 2016**

(54) **PADLOCK**

(71) Applicant: **DG International Holdings Limited,**
London (GB)

(72) Inventor: **Simon Little,** Enfield (GB)

(73) Assignee: **DG International Holdings Limited,**
London (GB)

(**) Term: **15 Years**

(21) Appl. No.: **29/534,526**

(22) Filed: **Jul. 29, 2015**

(30) **Foreign Application Priority Data**

Apr. 21, 2015 (EM) 002685966

Apr. 28, 2015 (GB) 4040681

(51) **LOC (10) Cl.** **08-07**

(52) **U.S. Cl.**
USPC **D8/334**

(58) **Field of Classification Search**

USPC D8/330-347; 70/14, 20-28, 31, 32, 39,
70/41, 52-56, 86, 314, 423, DIG. 43,
70/DIG. 56, 38 A, DIG. 3, DIG. 4

CPC E05B 67/08; E05B 67/00; E05B 67/02;
E05B 2067/00; E05B 9/00; E05B 63/00;
E05B 37/025; E05B 37/034; E05B 37/105

See application file for complete search history.

(56) **References Cited**

U.S. PATENT DOCUMENTS

4,444,029	A *	4/1984	Remington	E05B 37/025 70/25
D372,187	S *	7/1996	Ling	D8/334
6,164,096	A *	12/2000	Lai	E05B 37/025 70/25
6,877,345	B1 *	4/2005	Misner	E05B 35/105 70/25
6,880,370	B2 *	4/2005	Yu	E05B 37/025 70/25
6,928,842	B1 *	8/2005	Huang	E05B 37/0034 70/21
6,997,023	B1 *	2/2006	Huang	E05B 37/0034 70/21
D535,548	S *	1/2007	Lin	D8/331
D549,552	S *	8/2007	Huang	D8/333
D554,471	S *	11/2007	Ho	D8/333
D694,094	S *	11/2013	Yang	D8/334

* cited by examiner

Primary Examiner — Prabhakar Deshmukh
(74) *Attorney, Agent, or Firm* — Blank Rome LLP

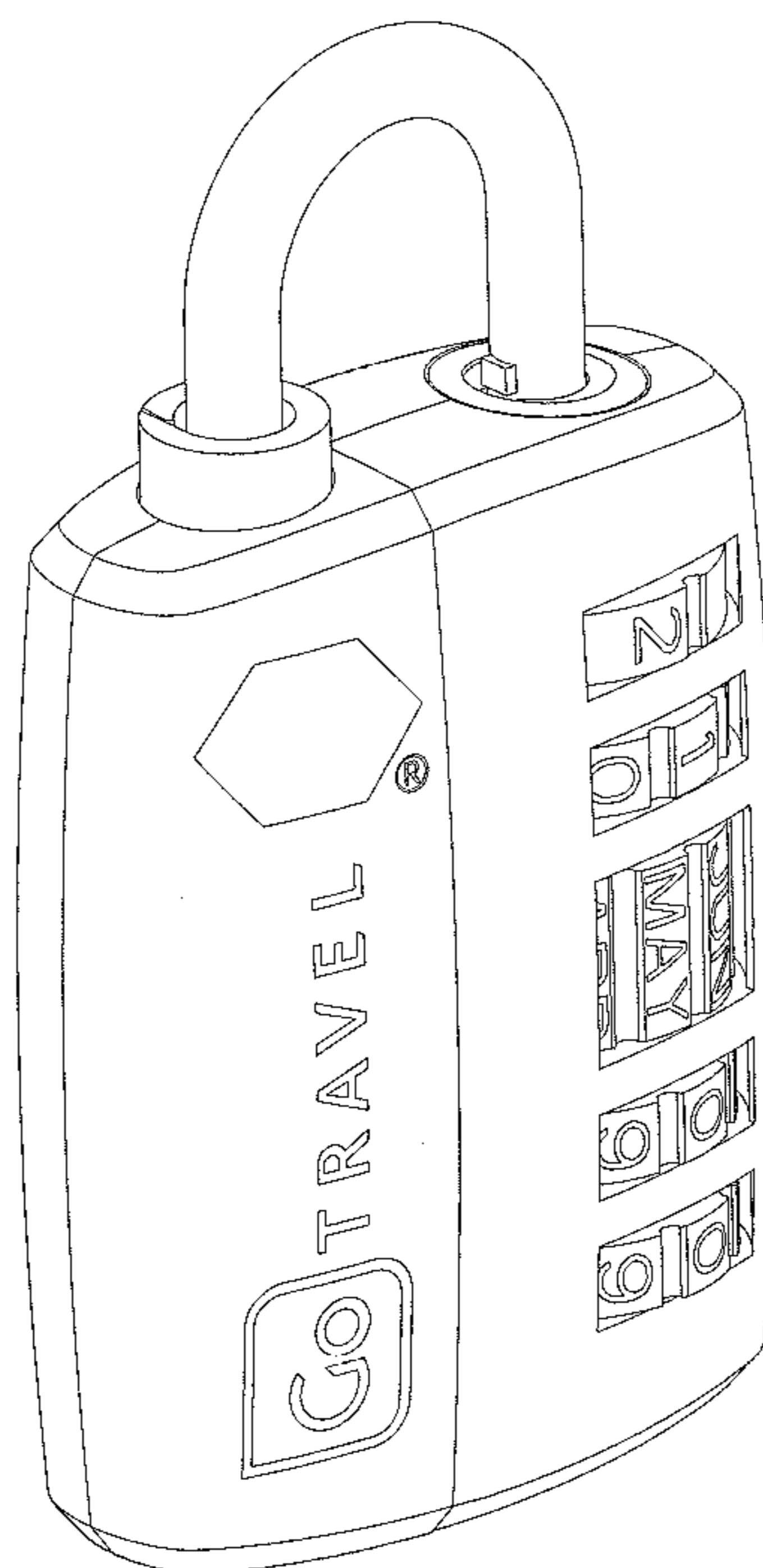
(57) **CLAIM**

The ornamental design for a padlock, as shown and described.

DESCRIPTION

FIG. 1 is a front side view of the padlock.
FIG. 2 is a left view thereof.
FIG. 3 is a right view thereof.
FIG. 4 is a rear view thereof.
FIG. 5 is a top view thereof.
FIG. 6 is a bottom view thereof.
FIG. 7 is a front perspective view thereof; and,
FIG. 8 is a right side perspective view thereof.

1 Claim, 8 Drawing Sheets



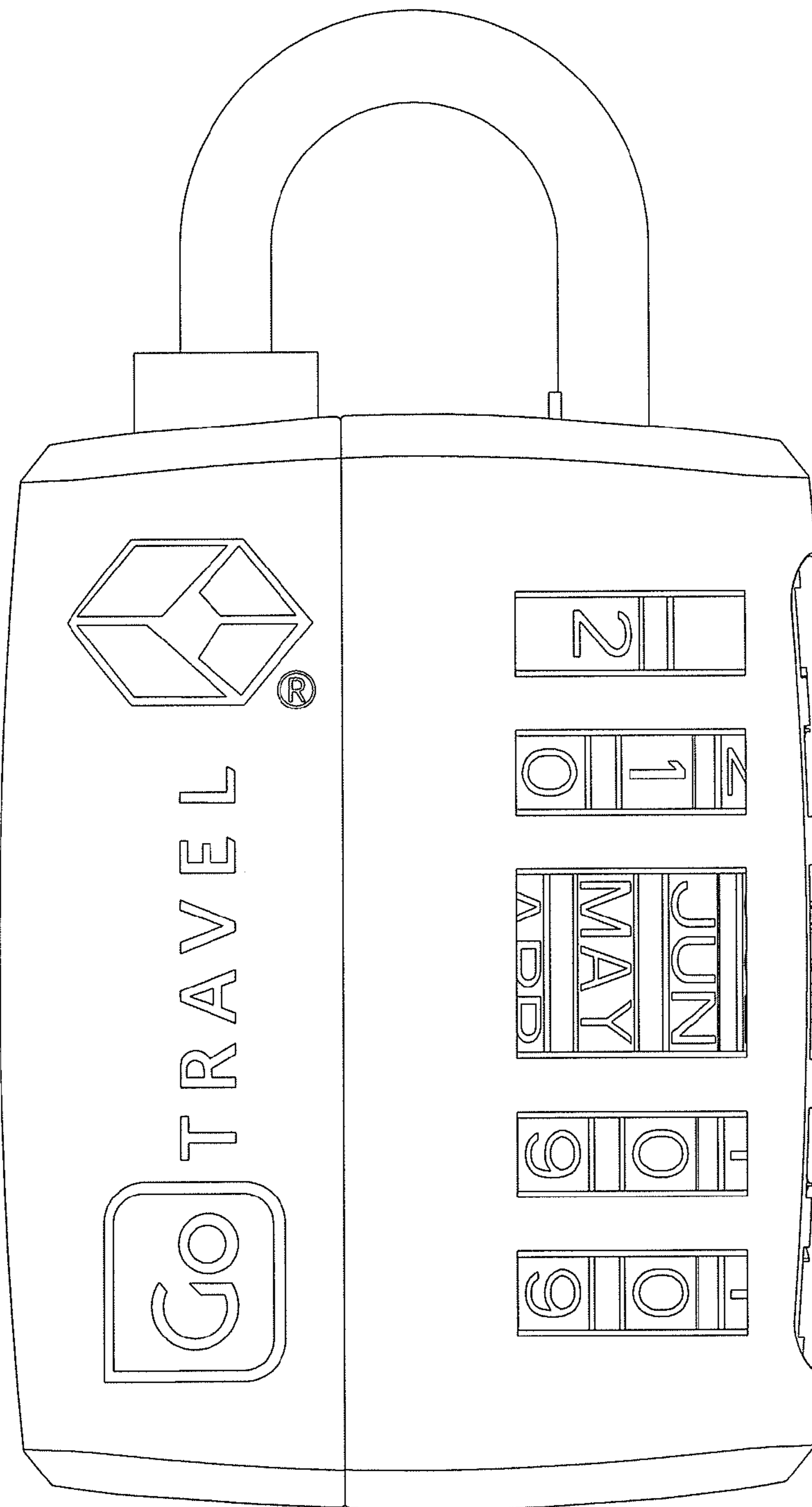


FIG. 1

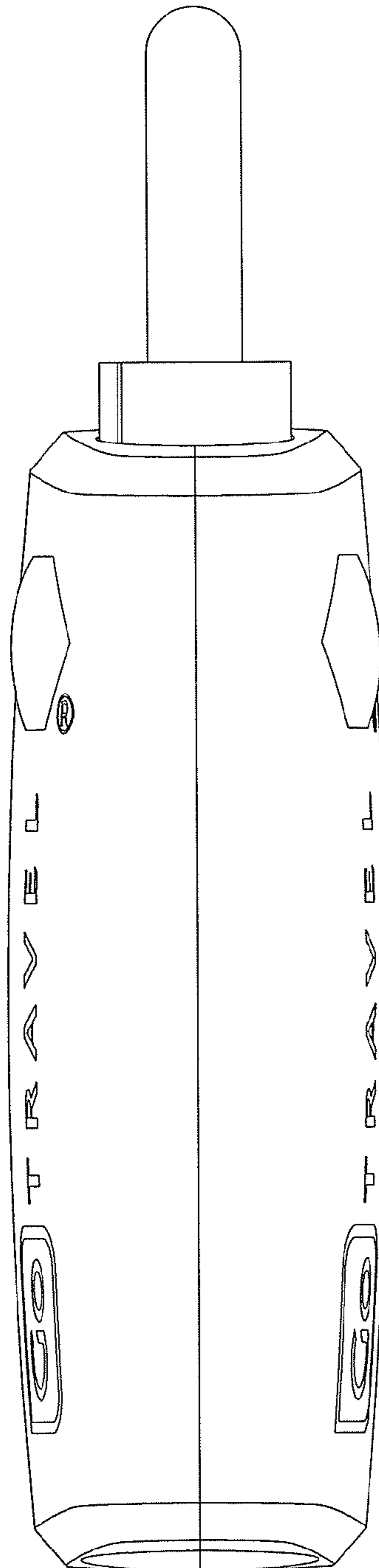


FIG. 2

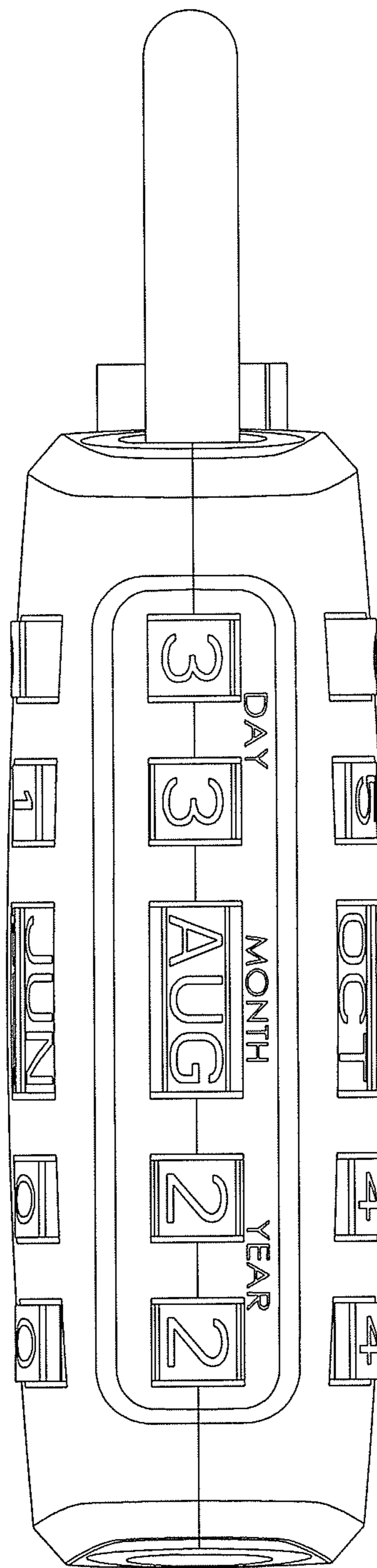


FIG. 3

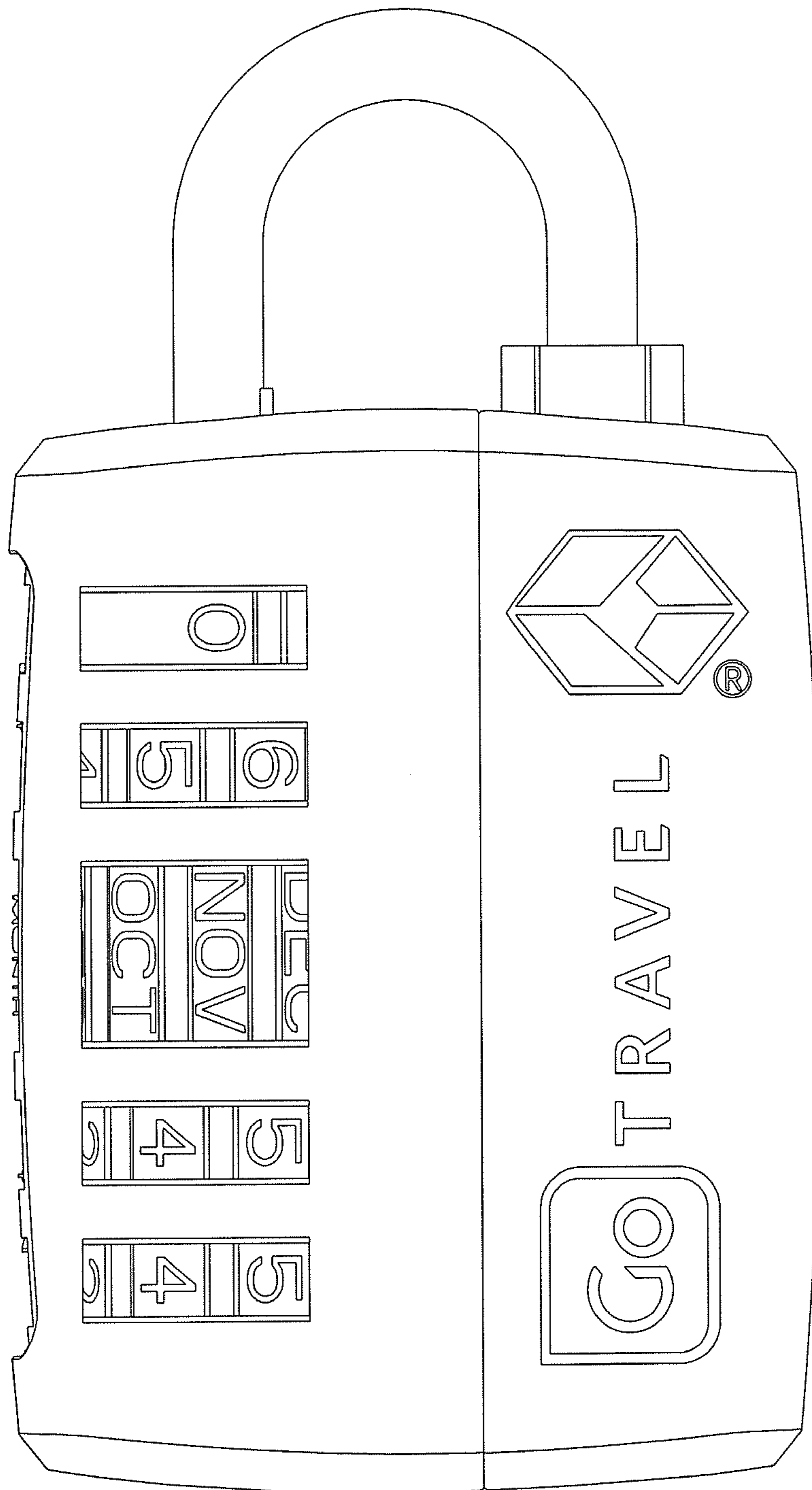


FIG. 4

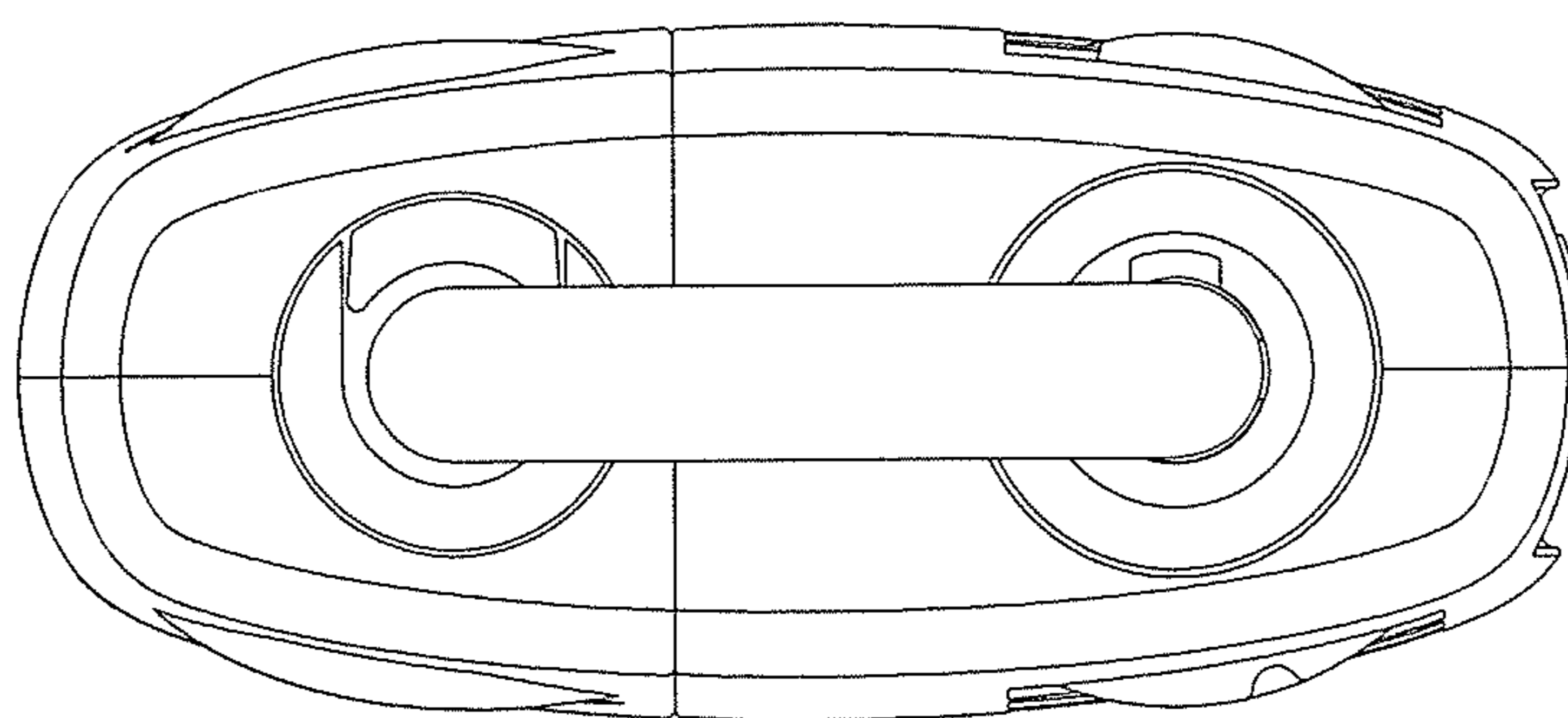


FIG. 5

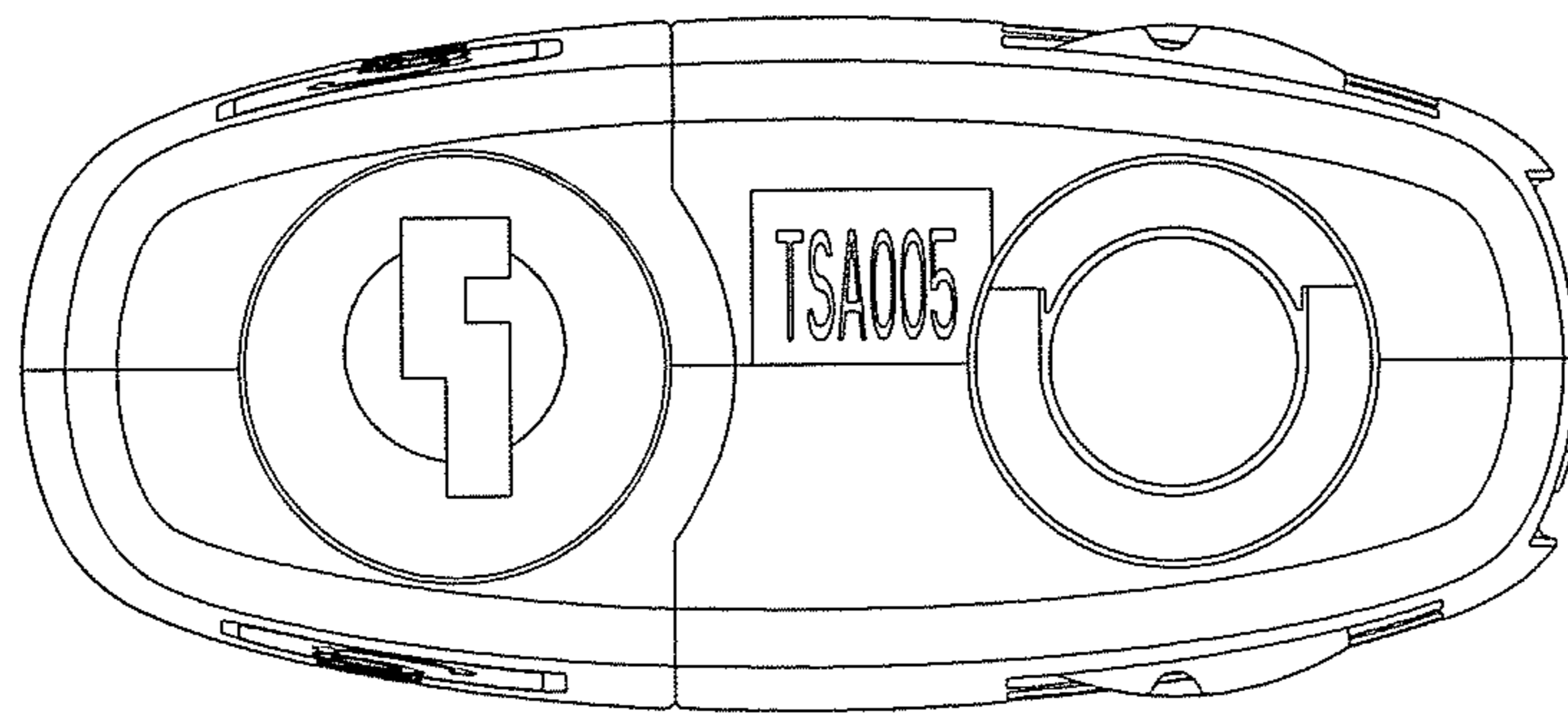


FIG. 6

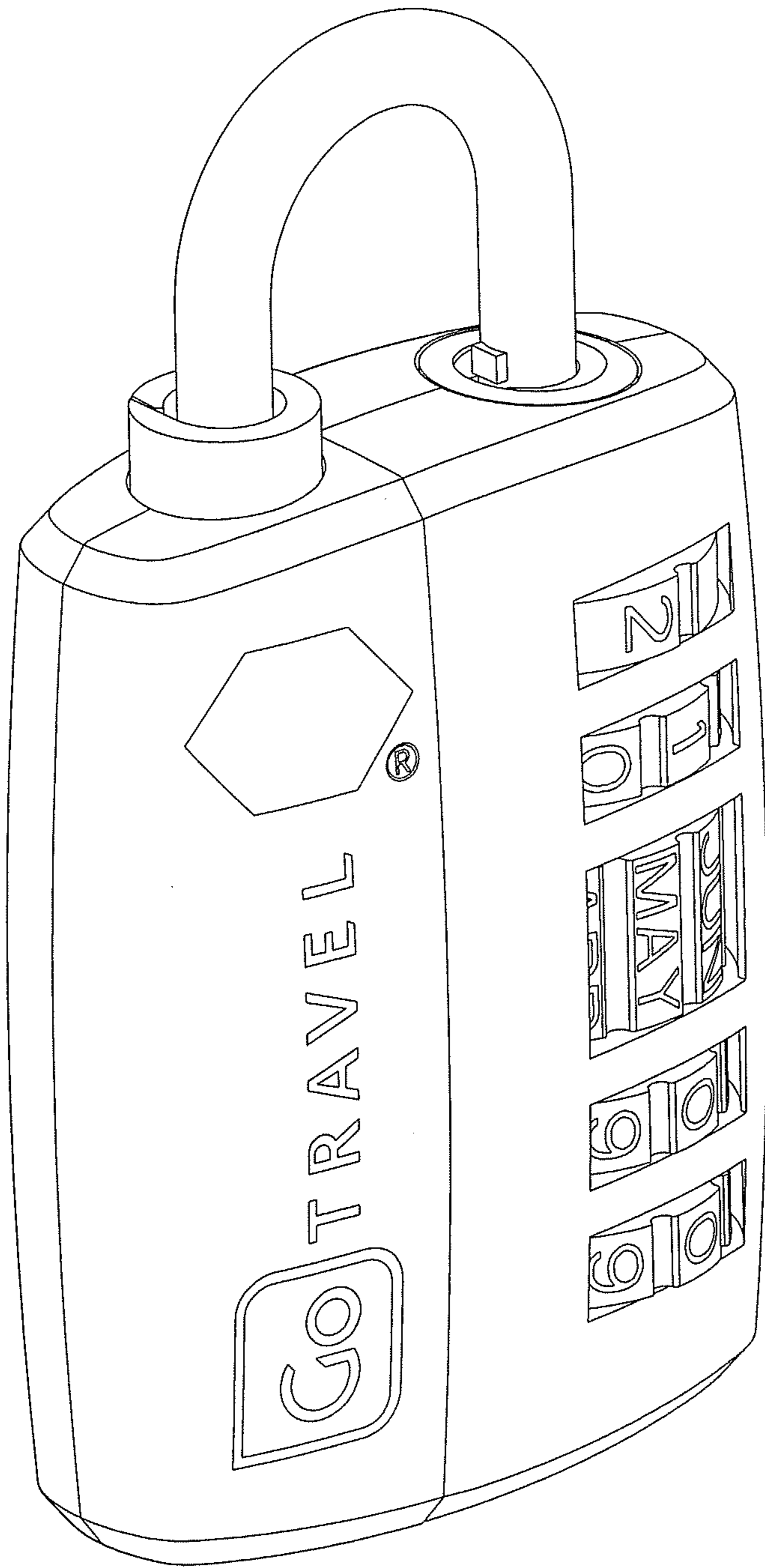


FIG. 7

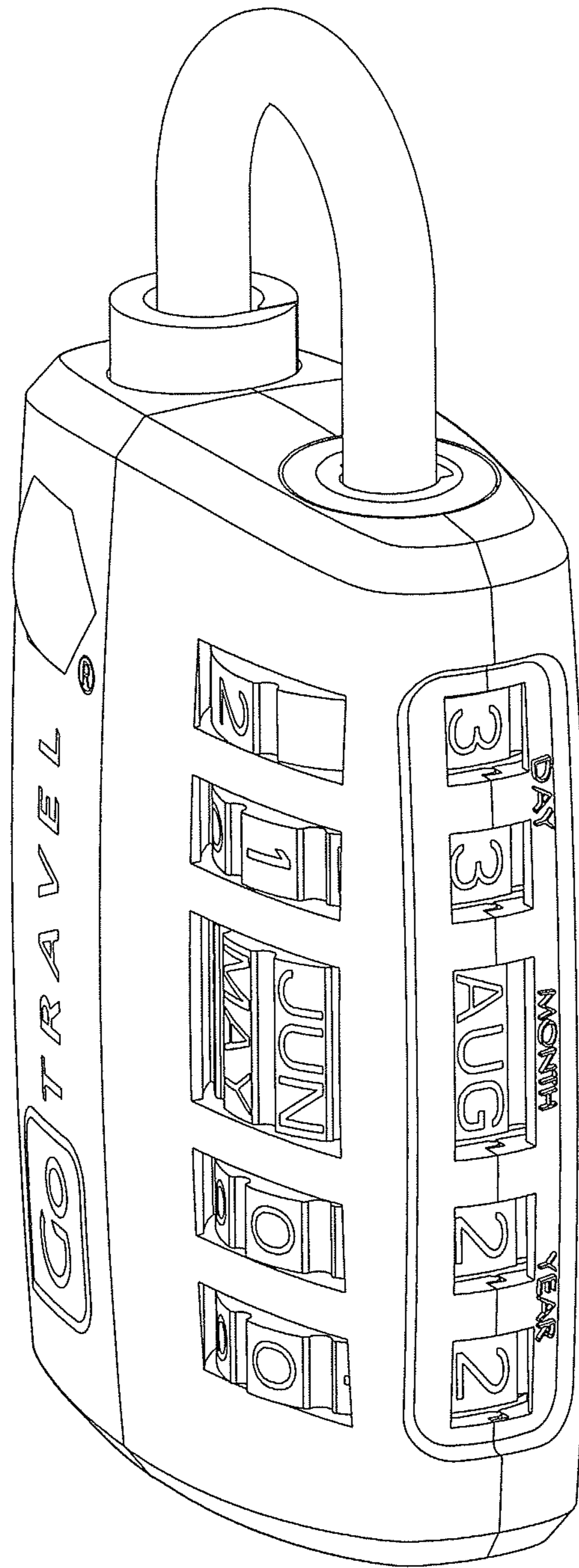


FIG. 8