



US00D761635S

(12) **United States Design Patent**  
**Bridgewater**

(10) **Patent No.:** **US D761,635 S**  
(45) **Date of Patent:** **\*\* Jul. 19, 2016**

- (54) **LATCH**
- (71) Applicant: **GEM Products, Inc.**, Orange Park, FL (US)
- (72) Inventor: **Erle Matthew Bridgewater**, Ponte Vedra, FL (US)
- (73) Assignee: **GEM Products, Inc.**, Orange Park, FL (US)
- (\*\*) Term: **14 Years**
- (21) Appl. No.: **29/513,863**
- (22) Filed: **Jan. 6, 2015**
- (51) **LOC (10) Cl.** ..... **08-07**
- (52) **U.S. Cl.**  
USPC ..... **D8/331**
- (58) **Field of Classification Search**  
USPC ..... D8/330, 331, 335, 339, 302, 343;  
70/141, 208, 129, 14; 292/336.3, 169,  
292/358, 359, 170, 175, 165, 224, 140-145,  
292/240, 242, DIG. 14, DIG. 30, DIG. 31,  
292/DIG. 4, 205  
CPC ..... E05B 13/10; E05B 15/00; E05B 65/06;  
E05C 3/04; E05C 1/04  
See application file for complete search history.

6,532,778 B2 *	3/2003	Molzer	.....	E05B 1/0092	292/104
D475,602 S *	6/2003	McCloskey	.....	D8/331	
D489,959 S	5/2004	Jackson et al.			
D506,120 S *	6/2005	Straka, Jr.	.....	D8/331	
D530,181 S *	10/2006	Straka, Jr.	.....	D8/301	
D534,785 S *	1/2007	Mlynarczyk	.....	D8/331	
D587,558 S *	3/2009	Sarnowski	.....	D8/301	
D596,920 S *	7/2009	Cotton	.....	D8/331	
D621,685 S *	8/2010	Sarnowski	.....	D8/331	
D678,750 S *	3/2013	Tung	.....	D8/331	
D729,609 S *	5/2015	Le	.....	D8/331	

\* cited by examiner

*Primary Examiner* — Prabhakar Deshmukh  
(74) *Attorney, Agent, or Firm* — Seyfarth Shaw LLP

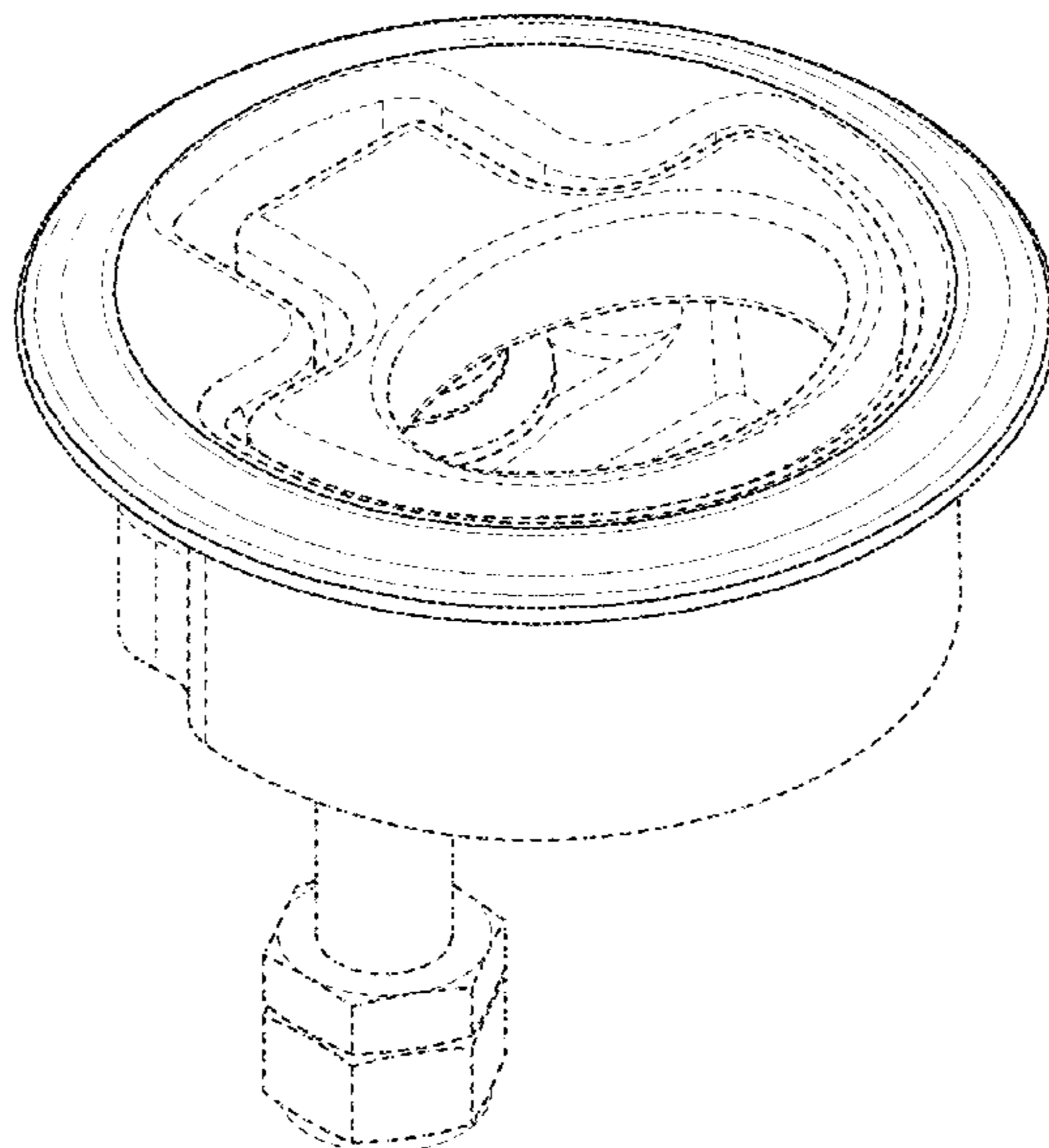
(57) **CLAIM**  
The ornamental design for a latch, as shown and described.

**DESCRIPTION**

FIG. 1 is a perspective view of a latch showing my new design;  
FIG. 2 is a top plan view thereof;  
FIG. 3 is a bottom plan view thereof;  
FIG. 4 is left side elevational view thereof;  
FIG. 5 is right side elevational view thereof;  
FIG. 6 is a front elevational view thereof; and,  
FIG. 7 is a rear elevational view thereof.  
The broken line showing is for environmental purposes only and forms no part of the claimed design.

**1 Claim, 7 Drawing Sheets**

- (56) **References Cited**  
U.S. PATENT DOCUMENTS  
D324,636 S \* 3/1992 Schlack ..... D8/306  
D370,620 S \* 6/1996 Ziemer ..... D8/306  
6,530,250 B1 \* 3/2003 Linares ..... E05B 13/004  
292/207



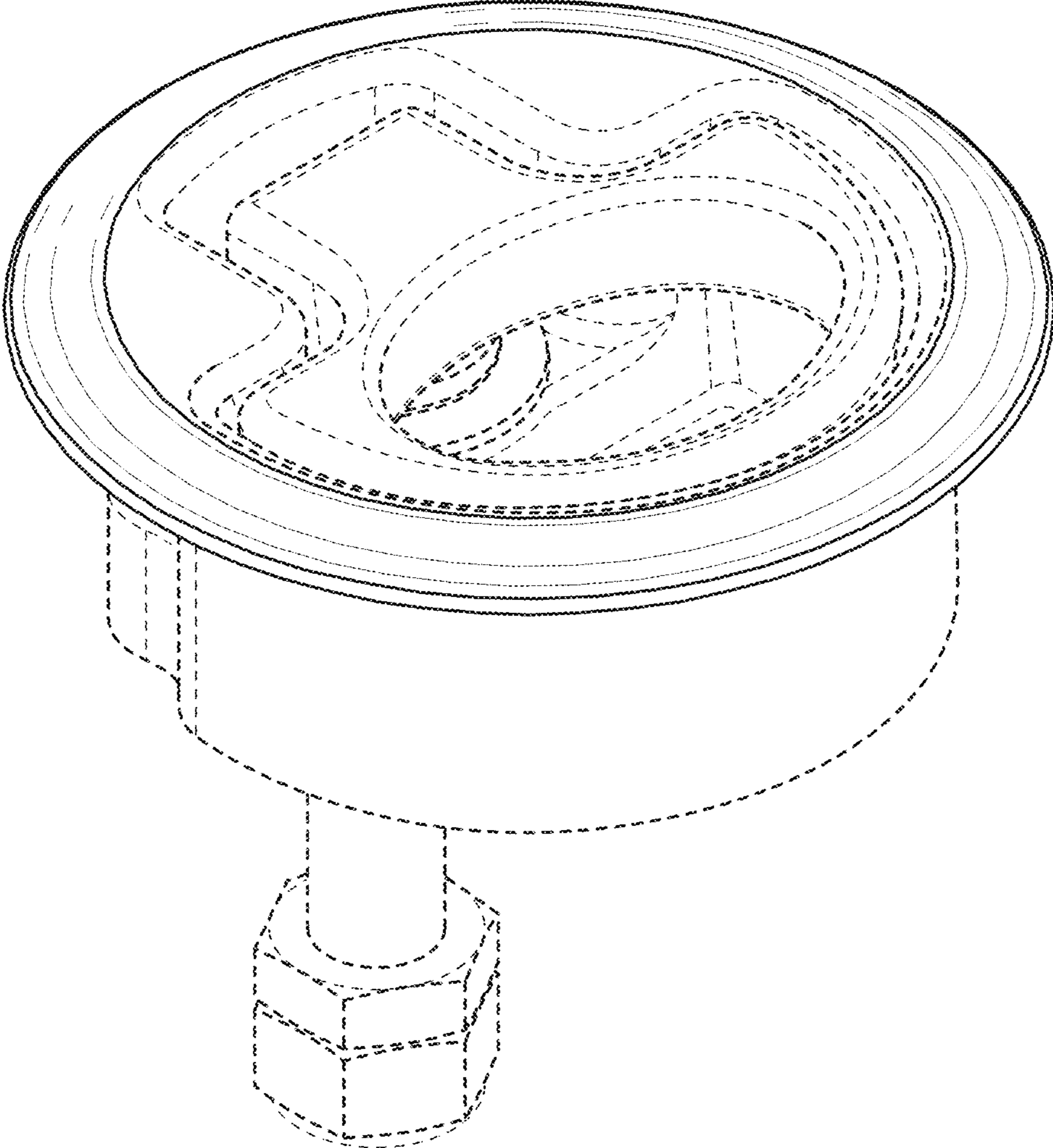


FIG. 1

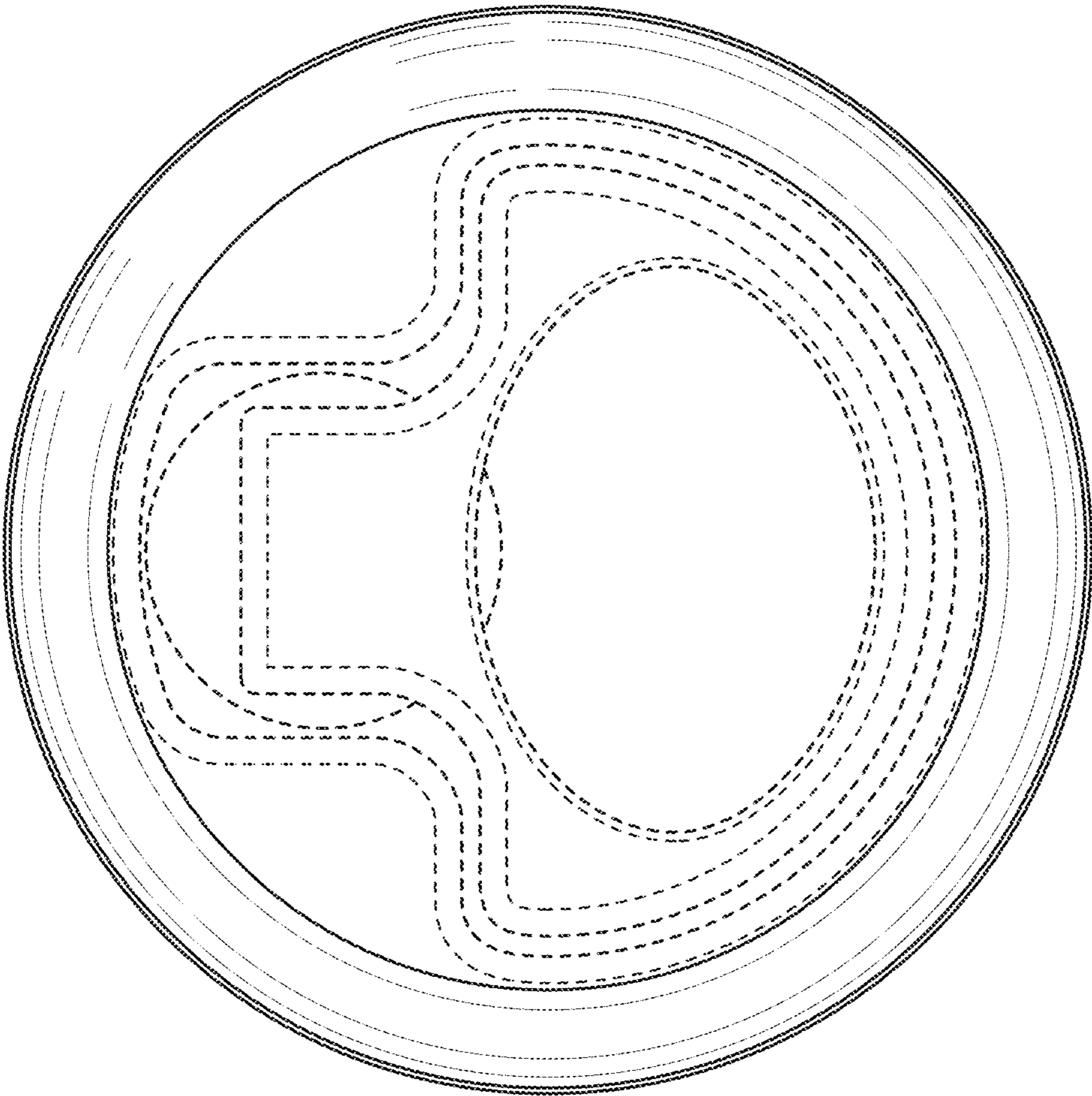


FIG. 2

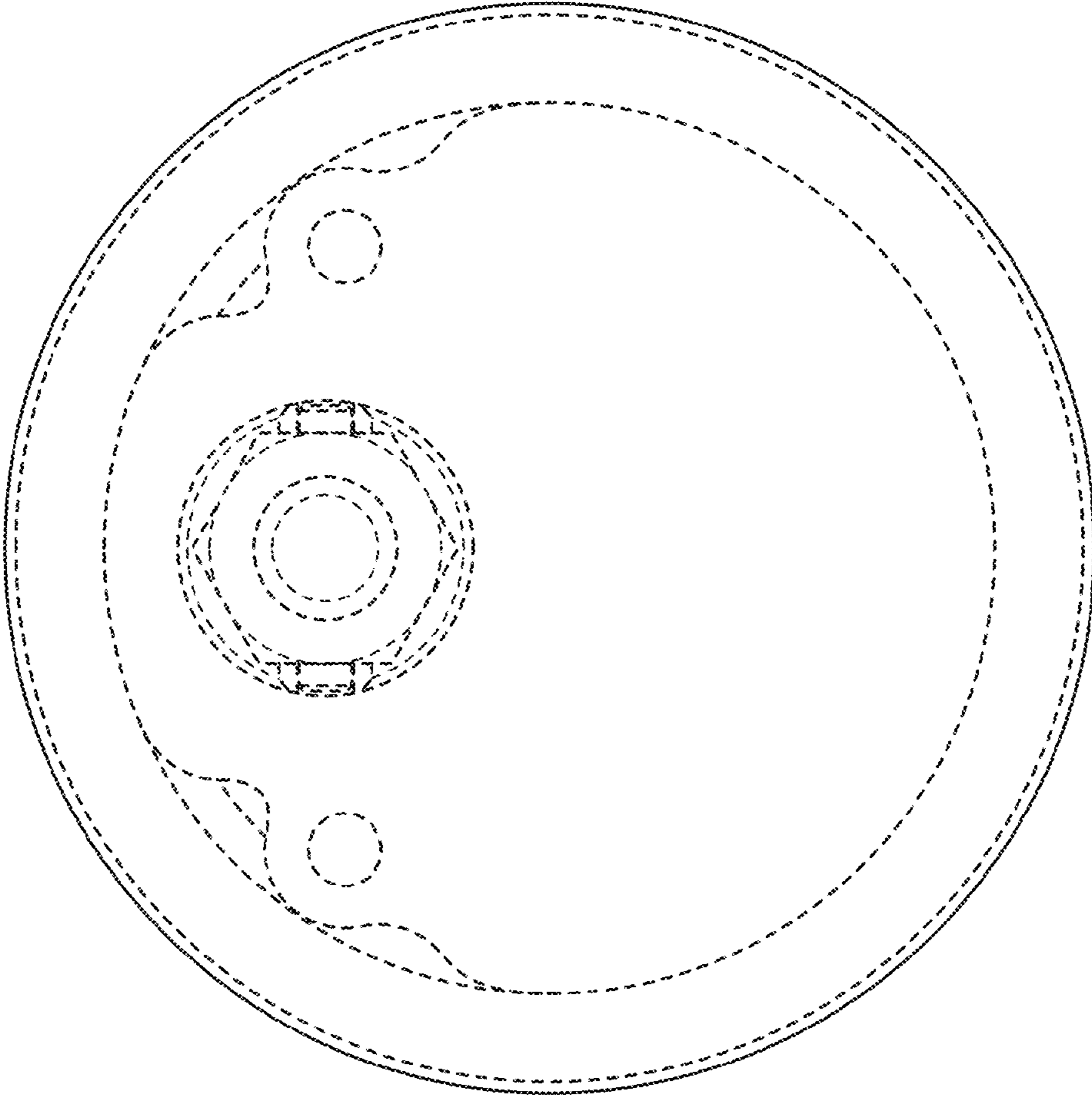


FIG. 3

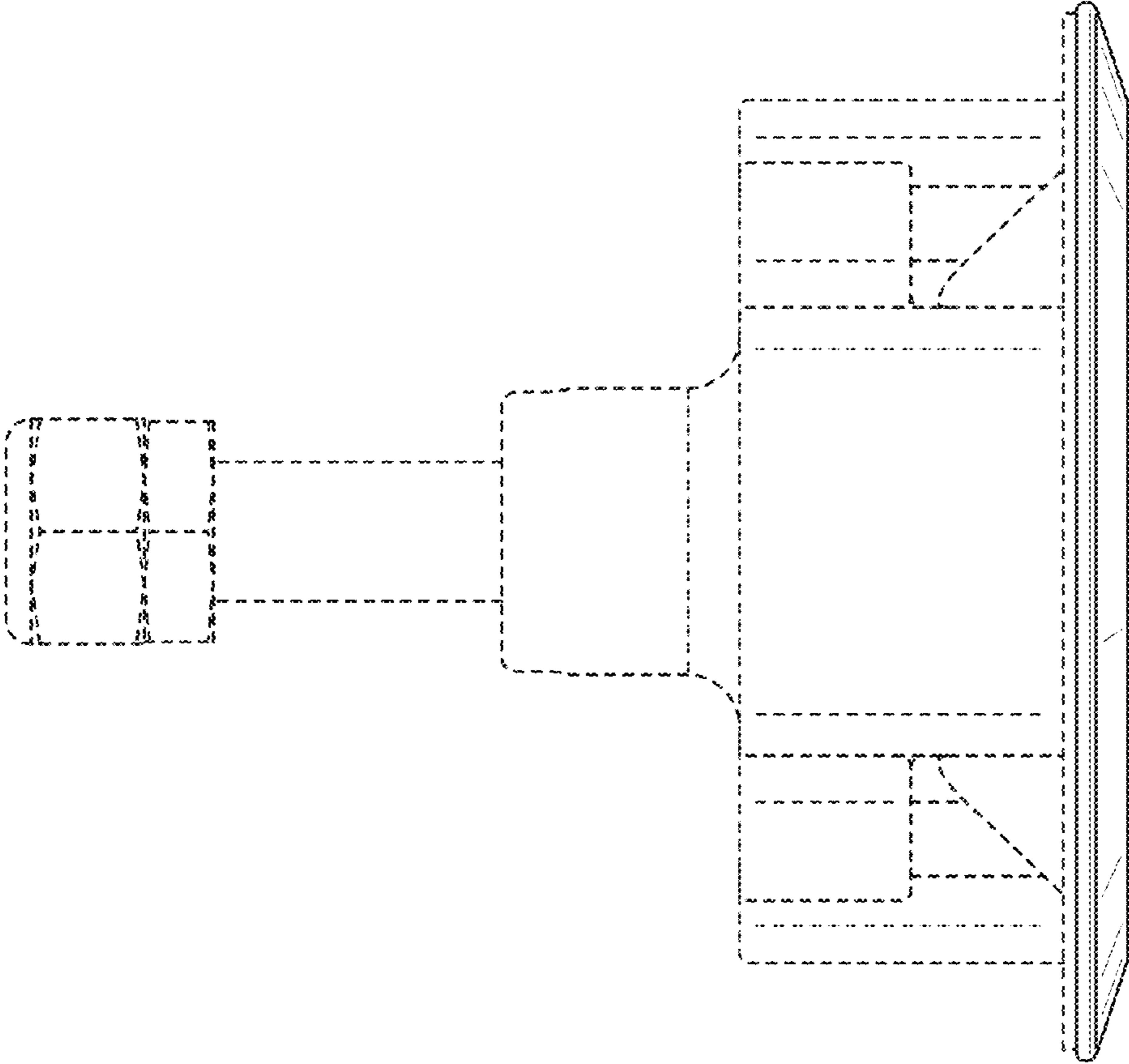


FIG. 4

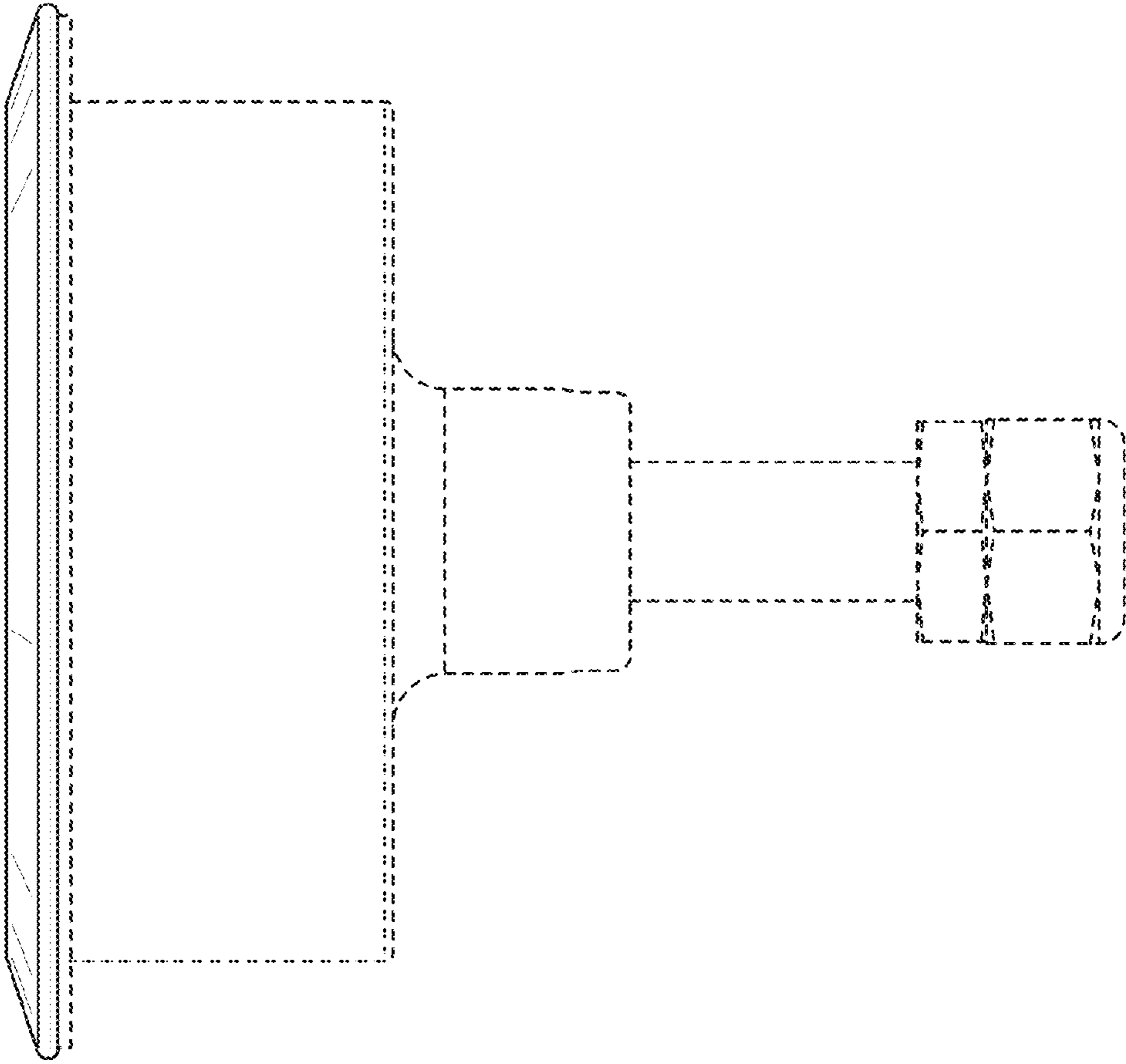


FIG. 5

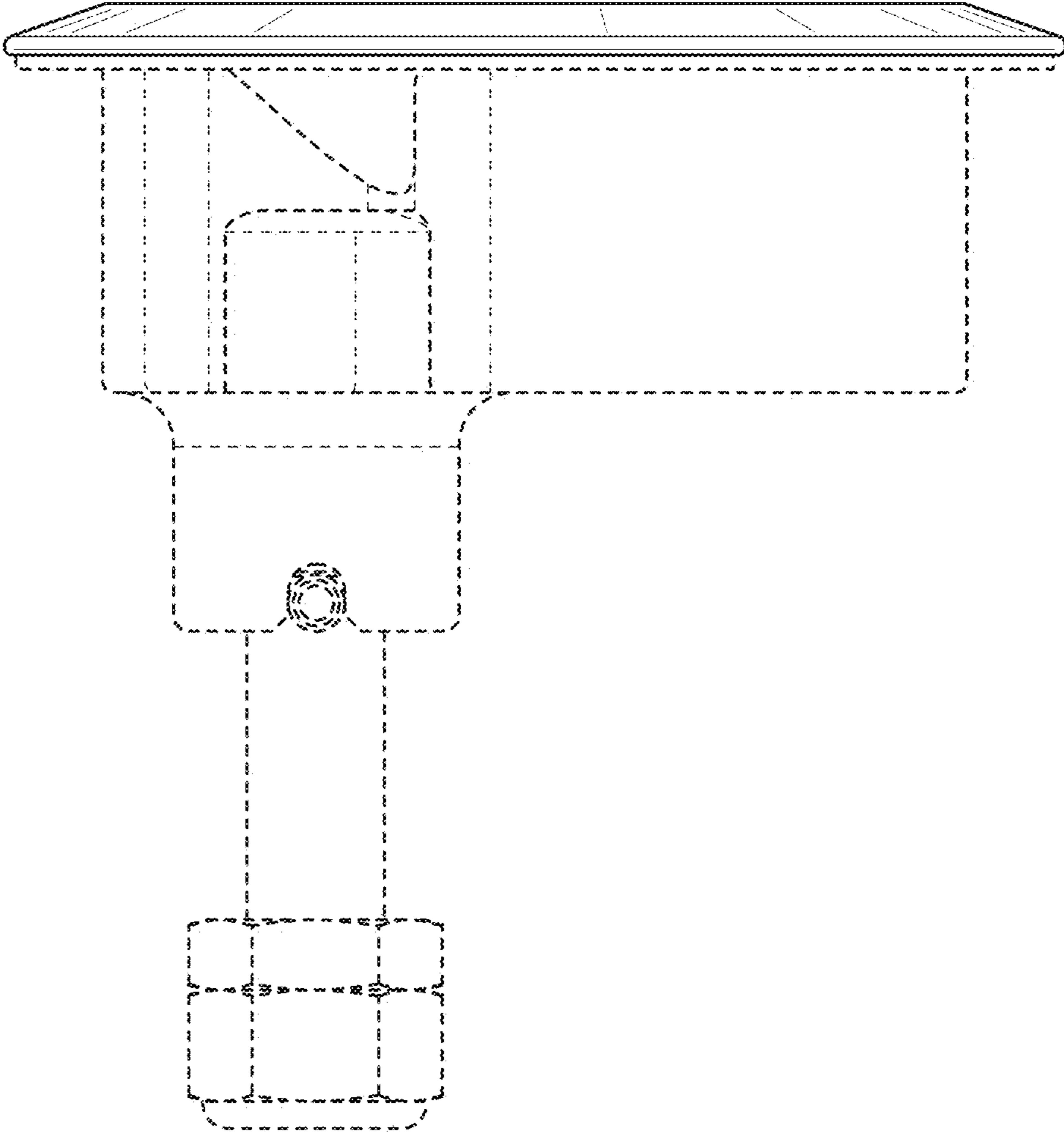


FIG. 6

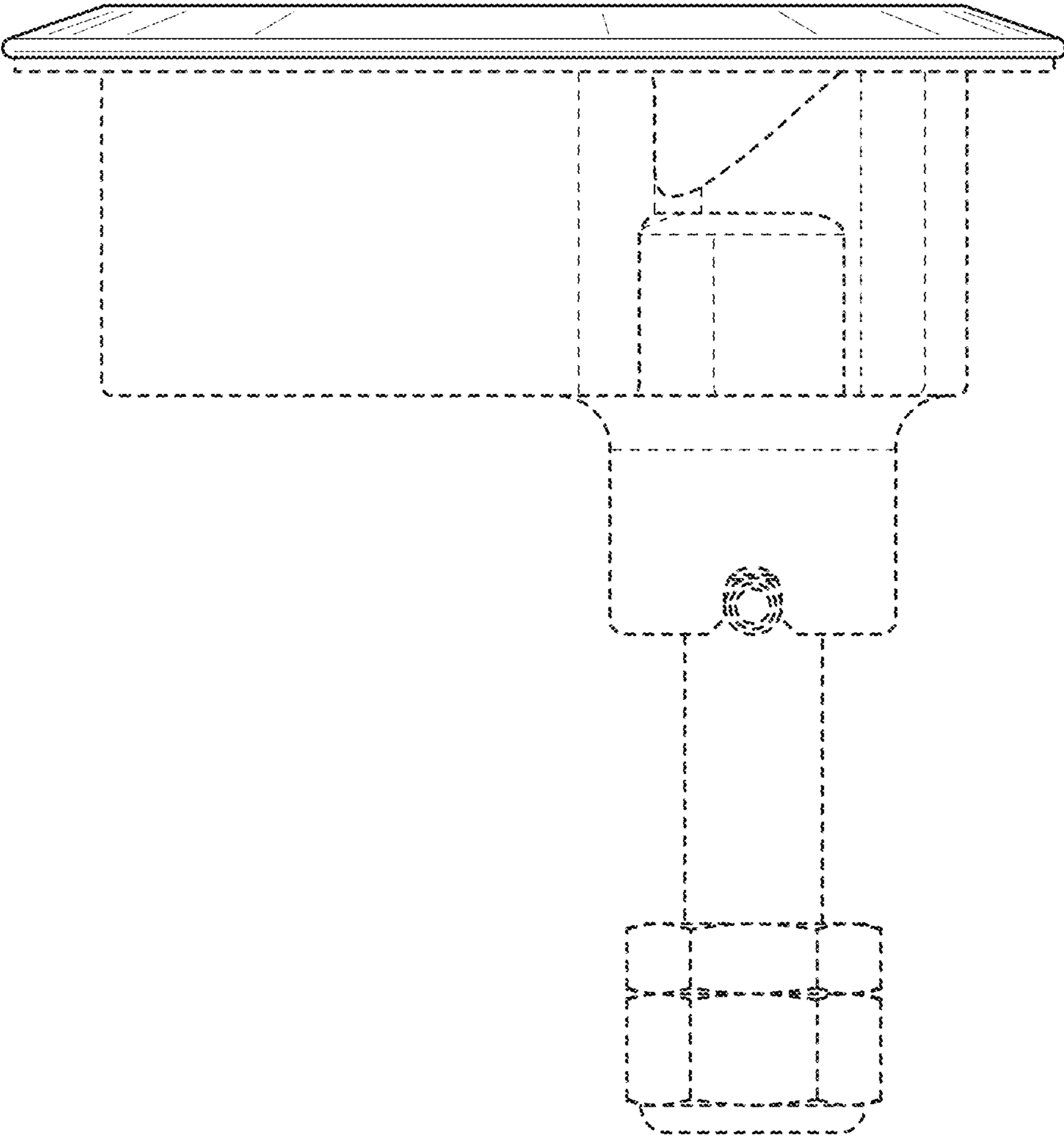


FIG. 7