



US00D761634S

(12) **United States Design Patent**  
**Schweiss**

(10) **Patent No.:** **US D761,634 S**  
(45) **Date of Patent:** **\*\* Jul. 19, 2016**

(54) **HINGE**  
(71) Applicant: **Michael L. Schweiss**, Fairfax, MN (US)  
(72) Inventor: **Michael L. Schweiss**, Fairfax, MN (US)  
(73) Assignee: **SORREL QUARTERS, LLC**, Fairfax, MN (US)  
(\*\*) Term: **15 Years**

(21) Appl. No.: **29/505,105**  
(22) Filed: **May 29, 2015**  
(51) **LOC (10) Cl.** ..... **08-06**  
(52) **U.S. Cl.**  
USPC ..... **D8/323**  
(58) **Field of Classification Search**  
USPC ..... D8/367, 354, 349, 389, 323, 380;  
248/301, 302, 303, 304, 339; 24/132 R;  
D6/325; D12/223  
CPC ..... A47G 1/00; F16B 2/00; A63B 27/00  
See application file for complete search history.

(56) **References Cited**

**U.S. PATENT DOCUMENTS**

4,295,514	A	10/1981	Johnson	
4,637,446	A	1/1987	McQueen et al.	
D289,605	S *	5/1987	Lytle	D8/381
5,343,923	A	9/1994	Keller	
D383,430	S *	9/1997	Jeffries	D12/223
D437,282	S *	2/2001	Joll	D12/223
6,199,617	B1	3/2001	Schweiss	
D474,958	S *	5/2003	Perdue	D8/349
D478,801	S *	8/2003	Spruill	D8/354
D500,441	S *	1/2005	Senn	D8/323
6,866,080	B2	3/2005	Schweiss	
6,883,273	B2	4/2005	Kerkvliet	
7,007,905	B2 *	3/2006	Roberts	A47B 96/061 108/108
7,219,711	B2	5/2007	Keller et al.	

D548,051 S \* 8/2007 Ruppert ..... D8/354  
D568,728 S \* 5/2008 Zadak ..... D8/380  
D610,434 S \* 2/2010 Watts ..... D8/349

(Continued)

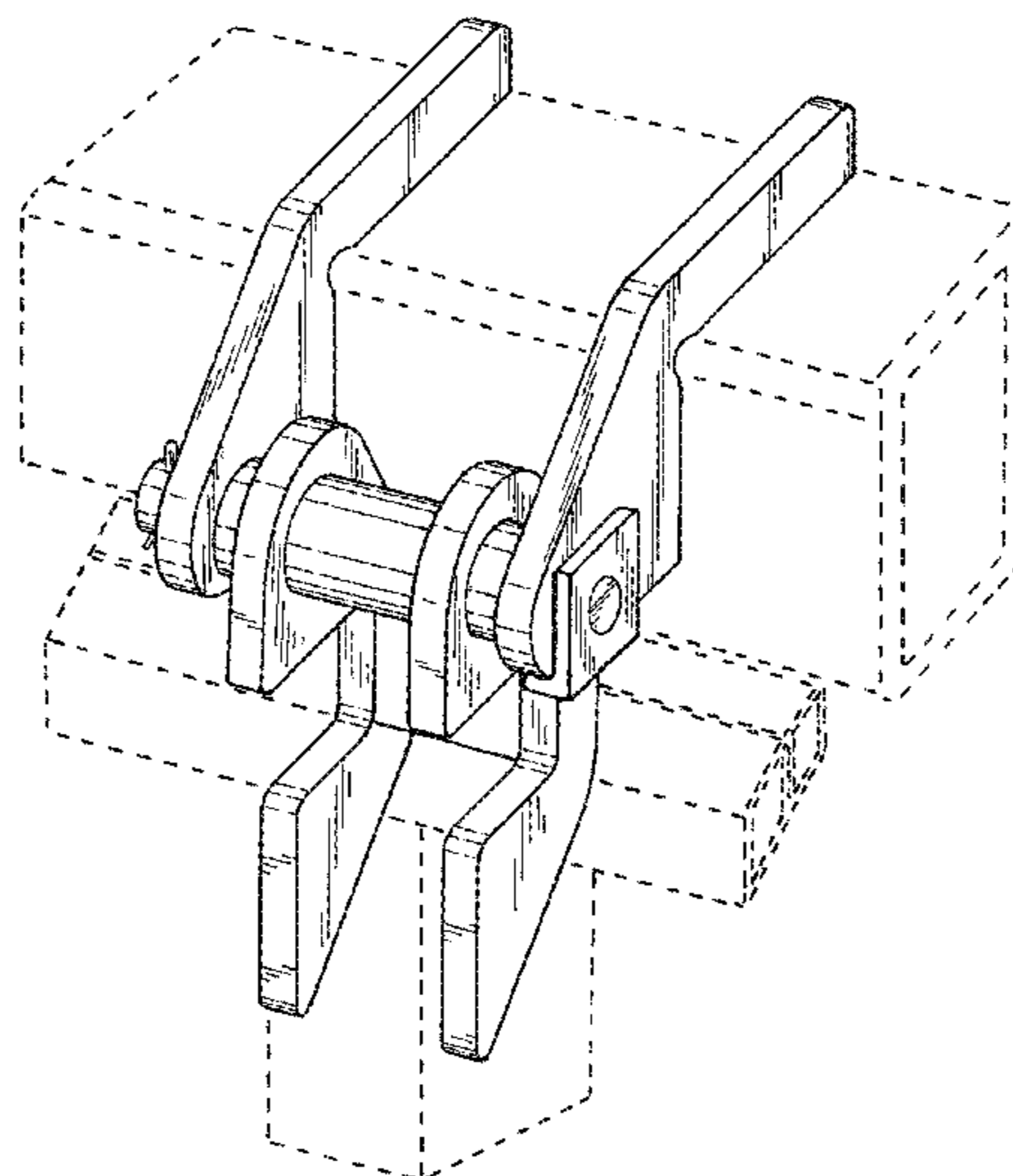
*Primary Examiner* — Cynthia Underwood  
(74) *Attorney, Agent, or Firm* — Richard John Bartz

(57) **CLAIM**  
The ornamental design for a hinge, as shown and described.

**DESCRIPTION**

FIG. 1 is a perspective view of the hinge of my new design;  
FIG. 2 is a right side elevational view thereof;  
FIG. 3 is a left side elevational view thereof;  
FIG. 4 is a front elevational view thereof;  
FIG. 5 is a rear elevational view thereof;  
FIG. 6 is a top plan view thereof;  
FIG. 7 is a bottom plan view thereof;  
FIG. 8 is a perspective view of the hinge mounted on a door frame header and a door frame shown in broken lines and forming no part of the claim;  
FIG. 9 is a reduced scale of an exploded perspective view of the hinge;  
FIG. 10 is a perspective view of FIG. 1 showing the header member separated from the door member;  
FIG. 11 is a right side elevational view of FIG. 10;  
FIG. 12 is a left elevational view of FIG. 10;  
FIG. 13 is a front elevational view of FIG. 10;  
FIG. 14 is a back elevational view of FIG. 10;  
FIG. 15 is a top plan view of FIG. 10;  
FIG. 16 is a bottom plan view of FIG. 10;  
FIG. 17 is a front elevational view of FIG. 1, showing the one of the door members separated from the header member and the other door member;  
FIG. 18 is a top plan view of FIG. 17;  
FIG. 19 is a bottom plan view of FIG. 17;  
FIG. 20 is a left side elevational view of FIG. 17;  
FIG. 21 is a right side elevational view of FIG. 17; and,  
FIG. 22 is a rear elevational view of FIG. 17.

**1 Claim, 10 Drawing Sheets**



(56)

**References Cited**

U.S. PATENT DOCUMENTS

D611,886 S *	3/2010	Peschmann	.....	D12/223	D695,593 S *	12/2013	Nunez Farfan	.....	D8/354
D611,887 S *	3/2010	Peschmann	.....	D12/223	D698,628 S *	2/2014	Stanley	.....	D8/367
D619,879 S *	7/2010	McCarthy	.....	D8/354	D728,348 S *	5/2015	Munson	.....	D8/354
D631,734 S *	2/2011	Fernandez	.....	D8/380	D748,966 S *	2/2016	Morinaga	.....	D8/323
					D749,394 S *	2/2016	Morinaga	.....	D8/323
					2011/0225895 A1	9/2011	Peterson		

\* cited by examiner

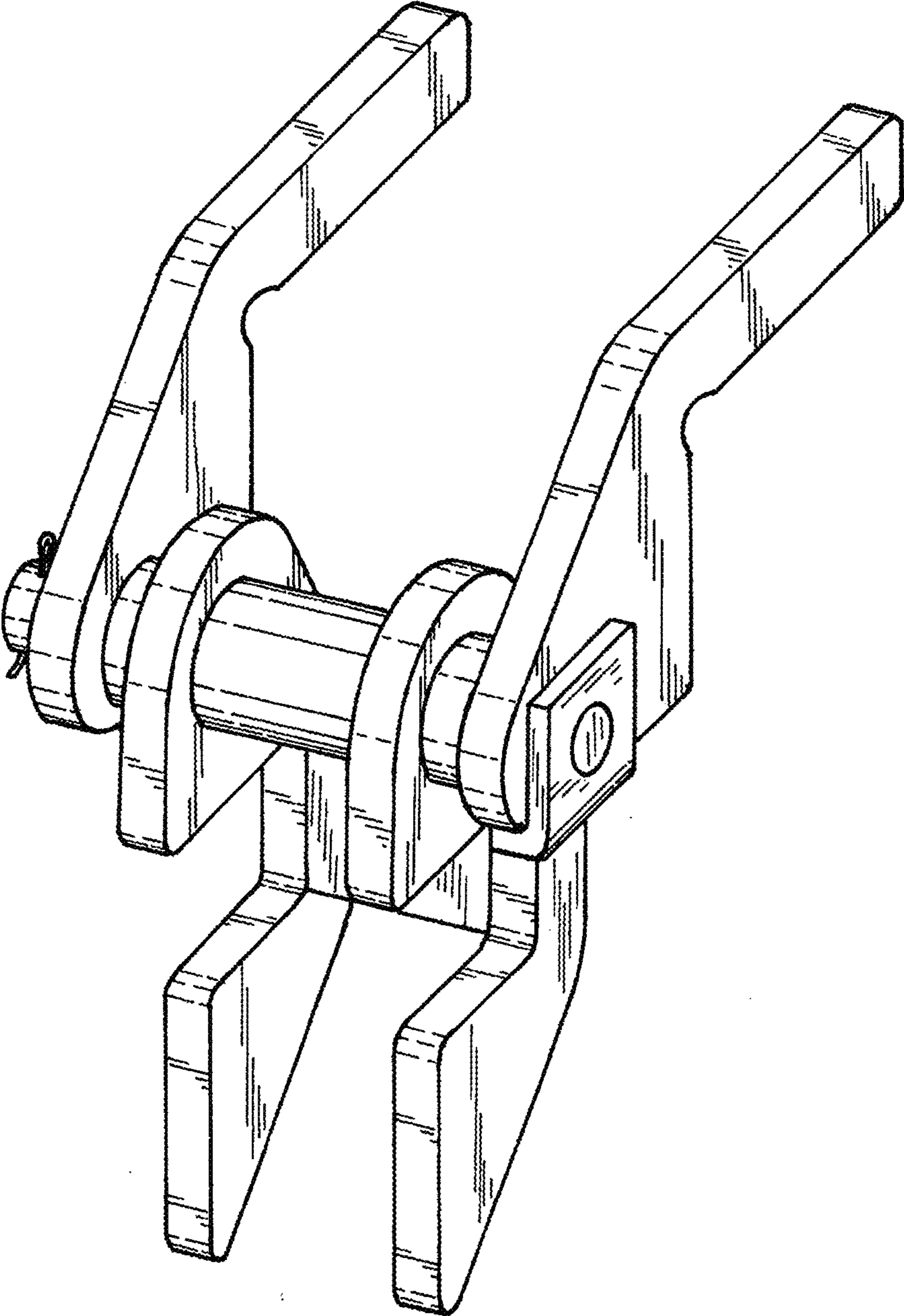


FIG.1

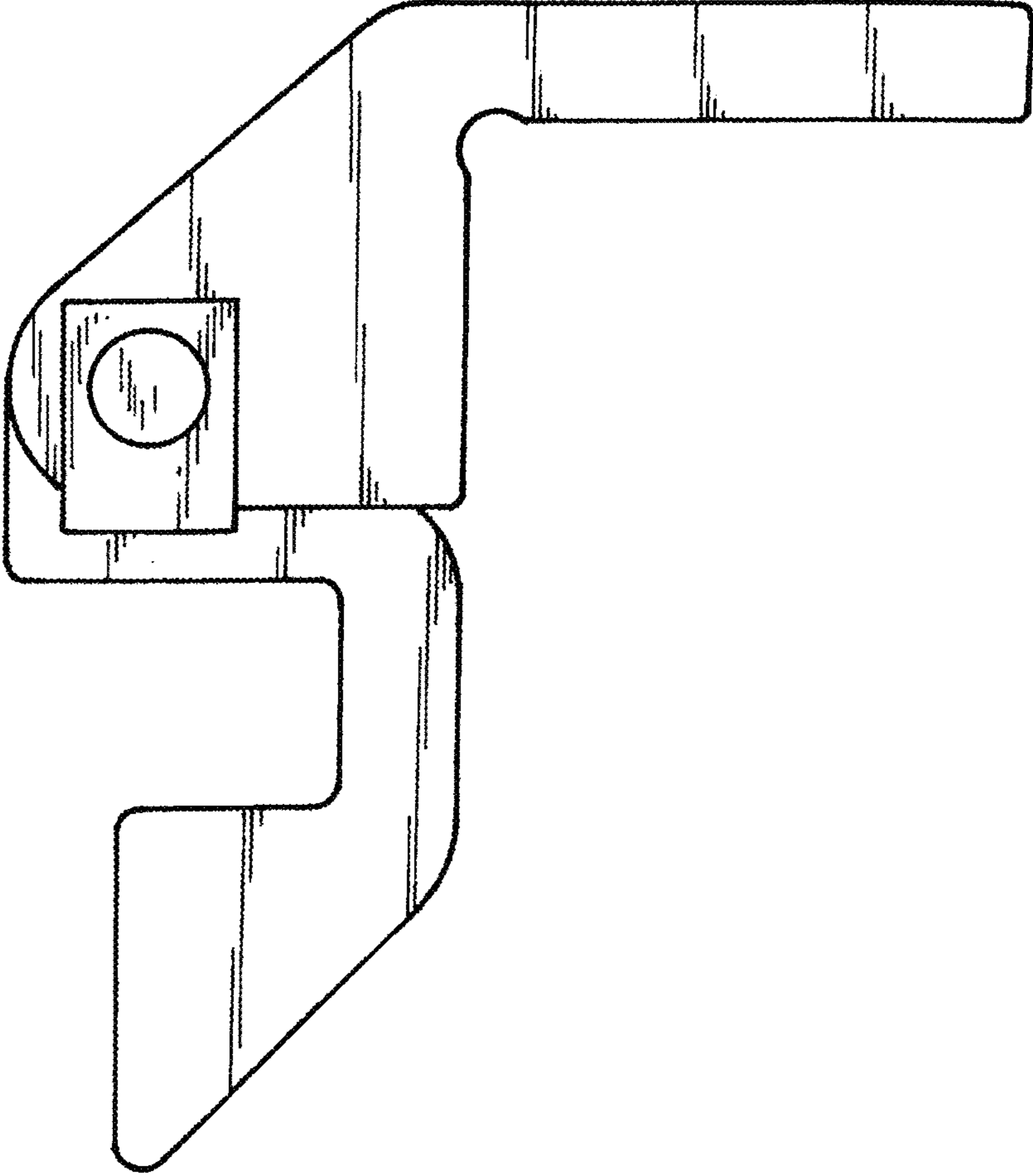


FIG.2

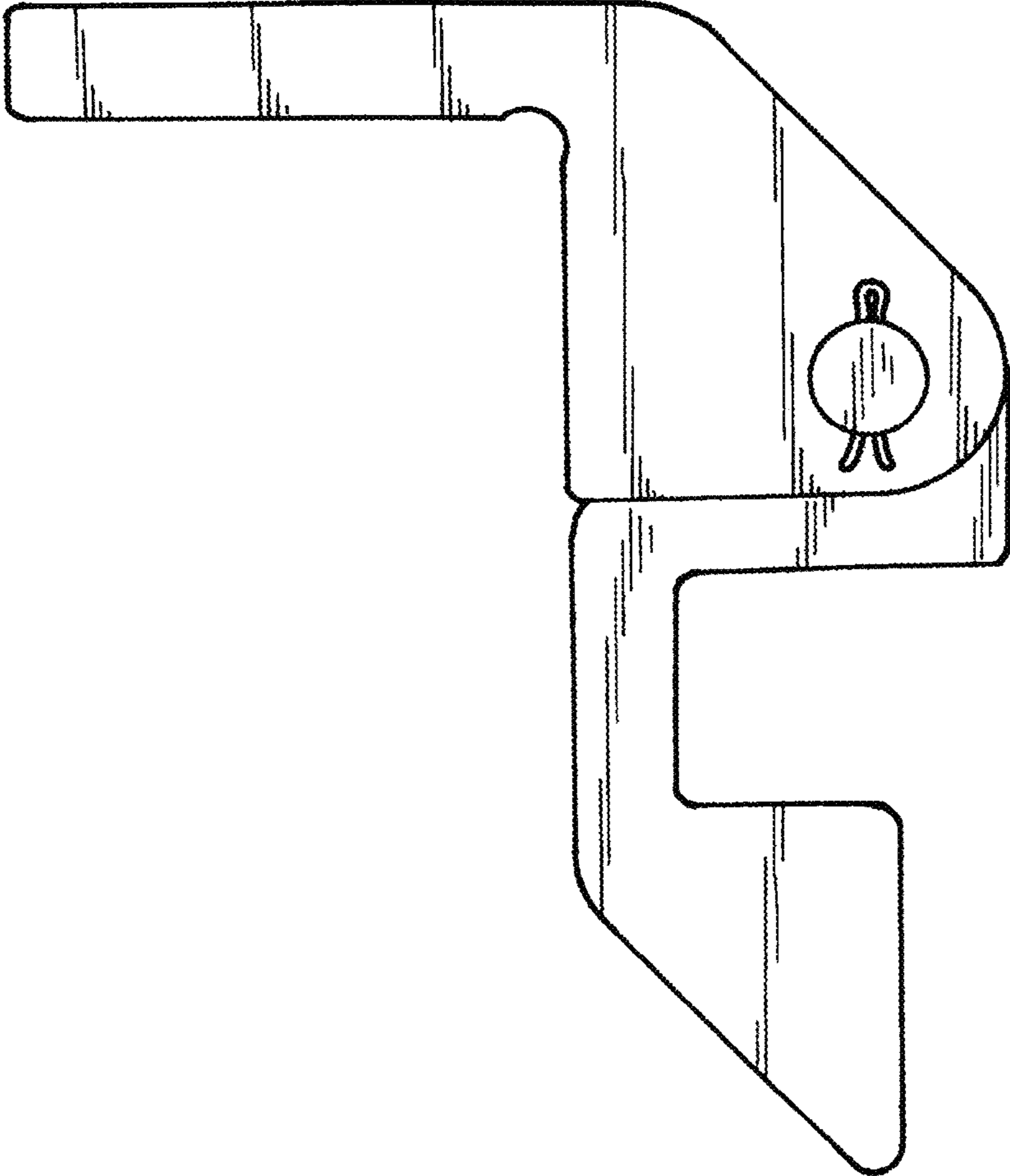


FIG.3

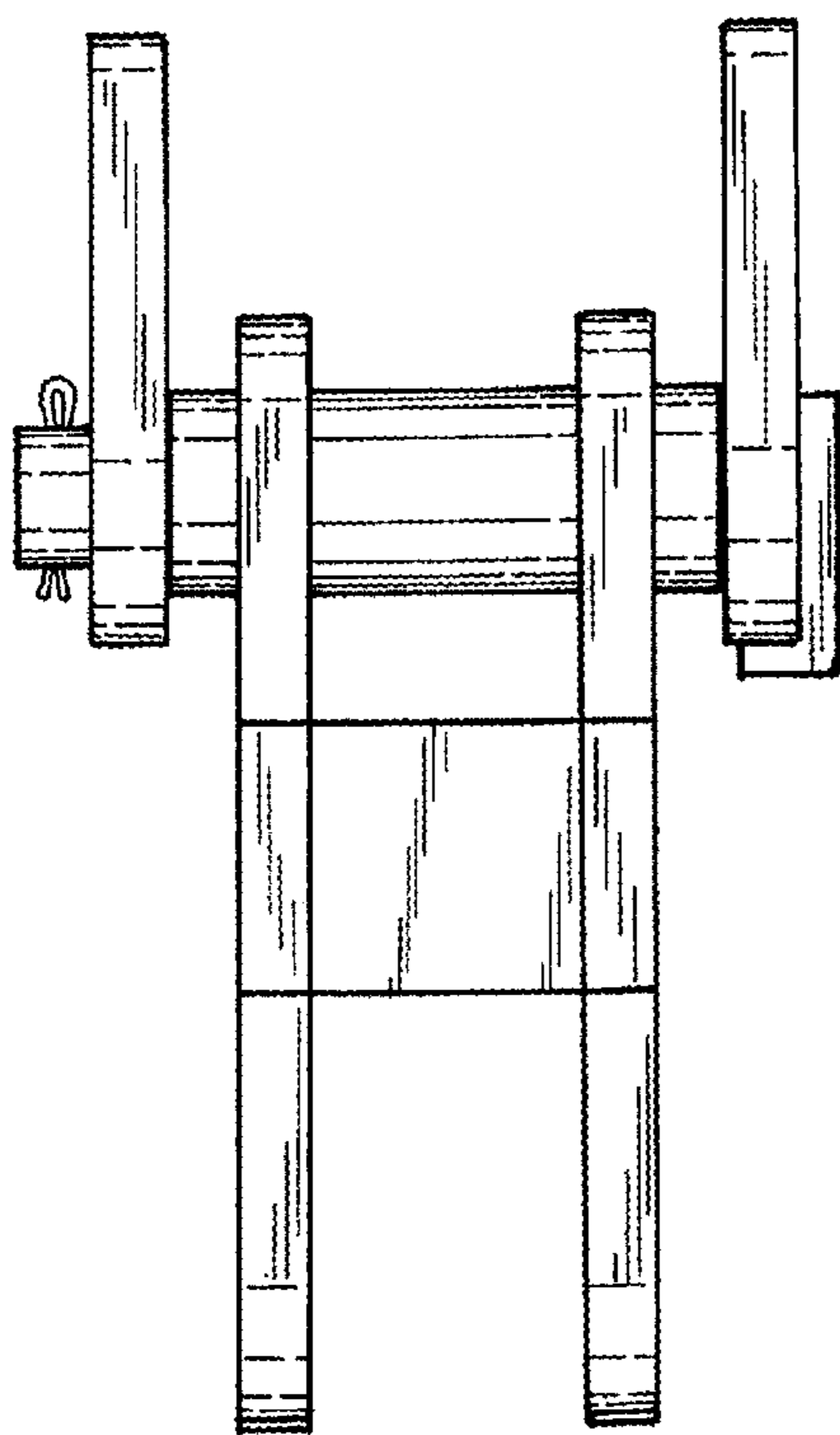


FIG.4

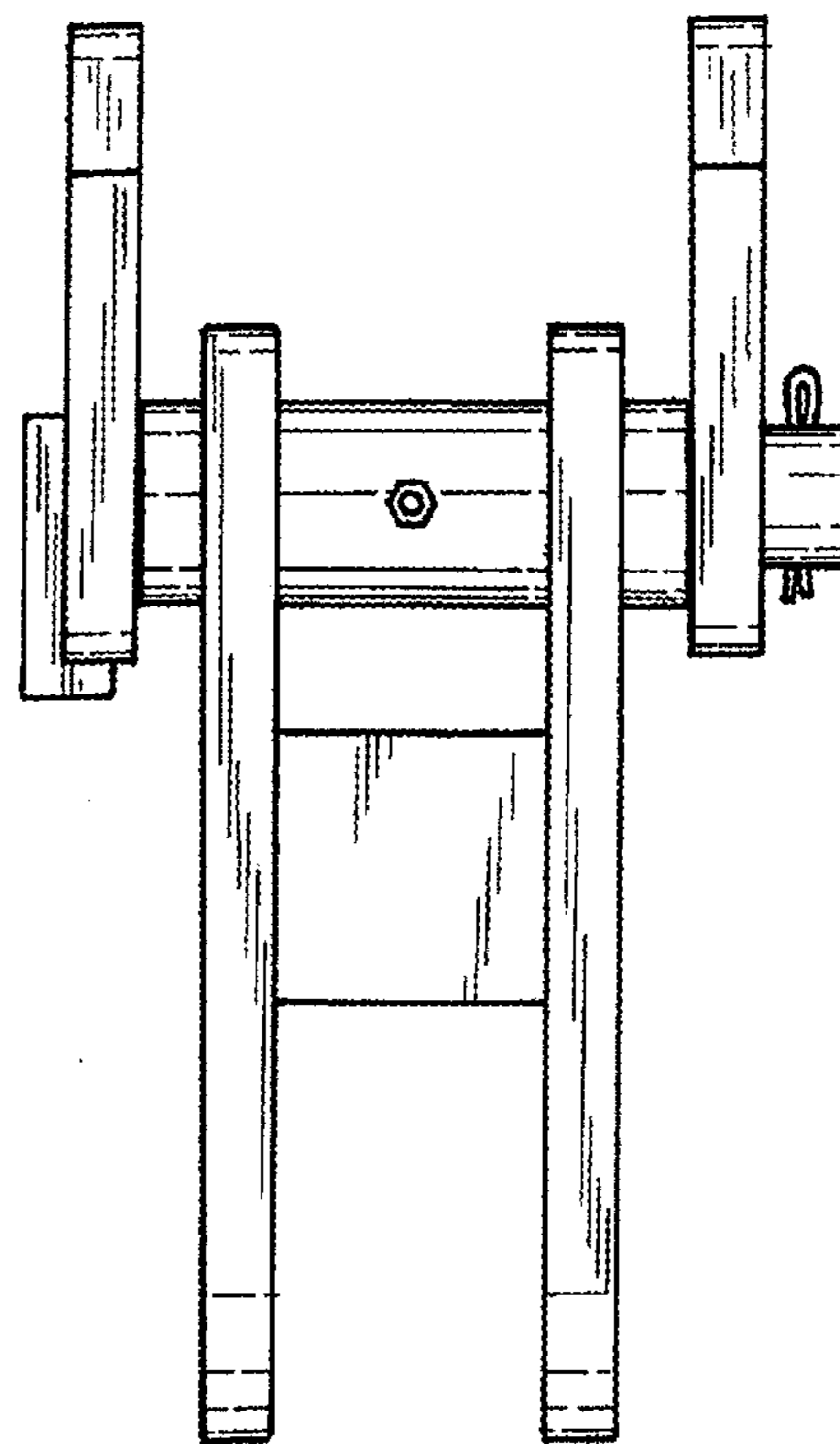


FIG.5

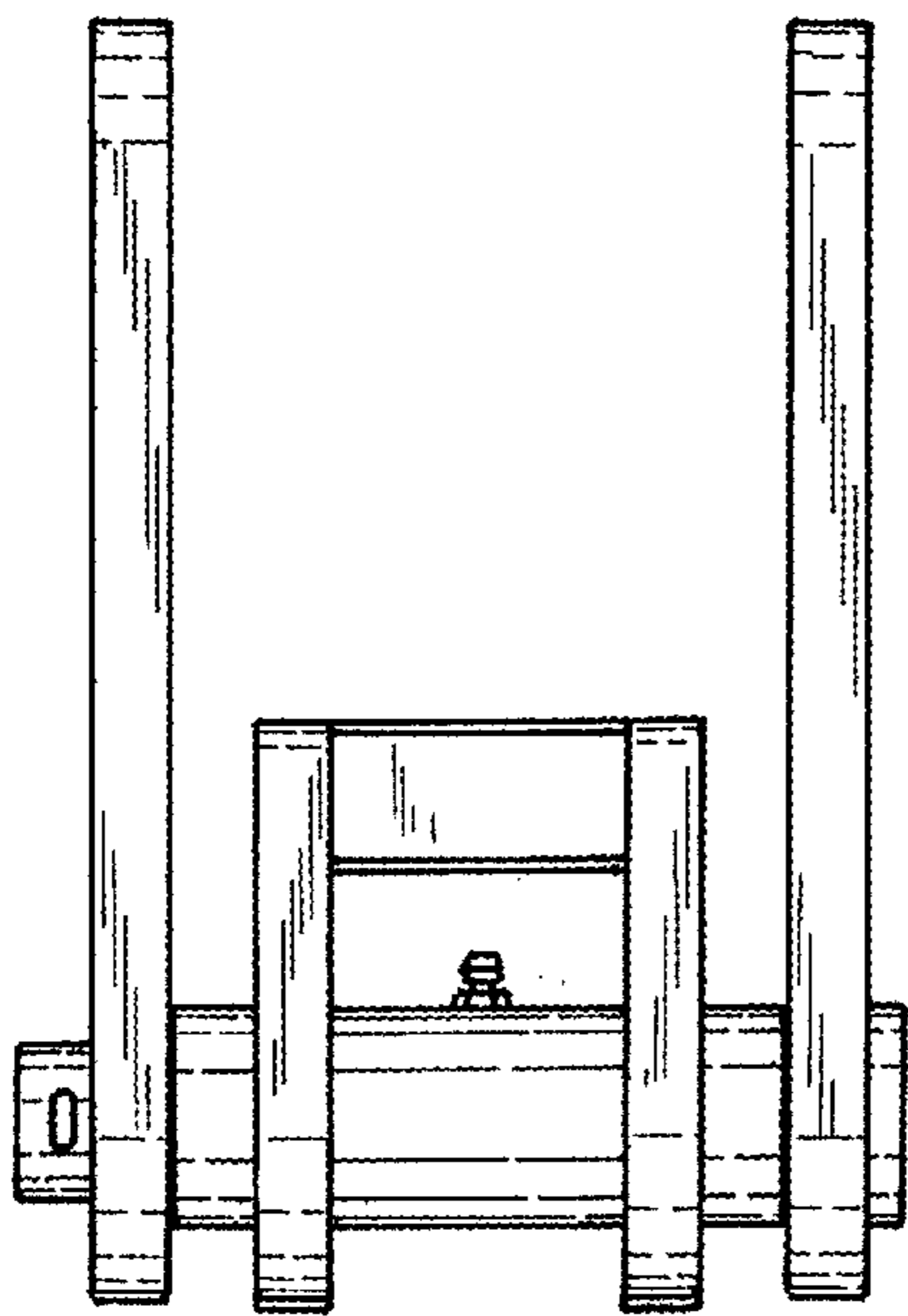


FIG. 6

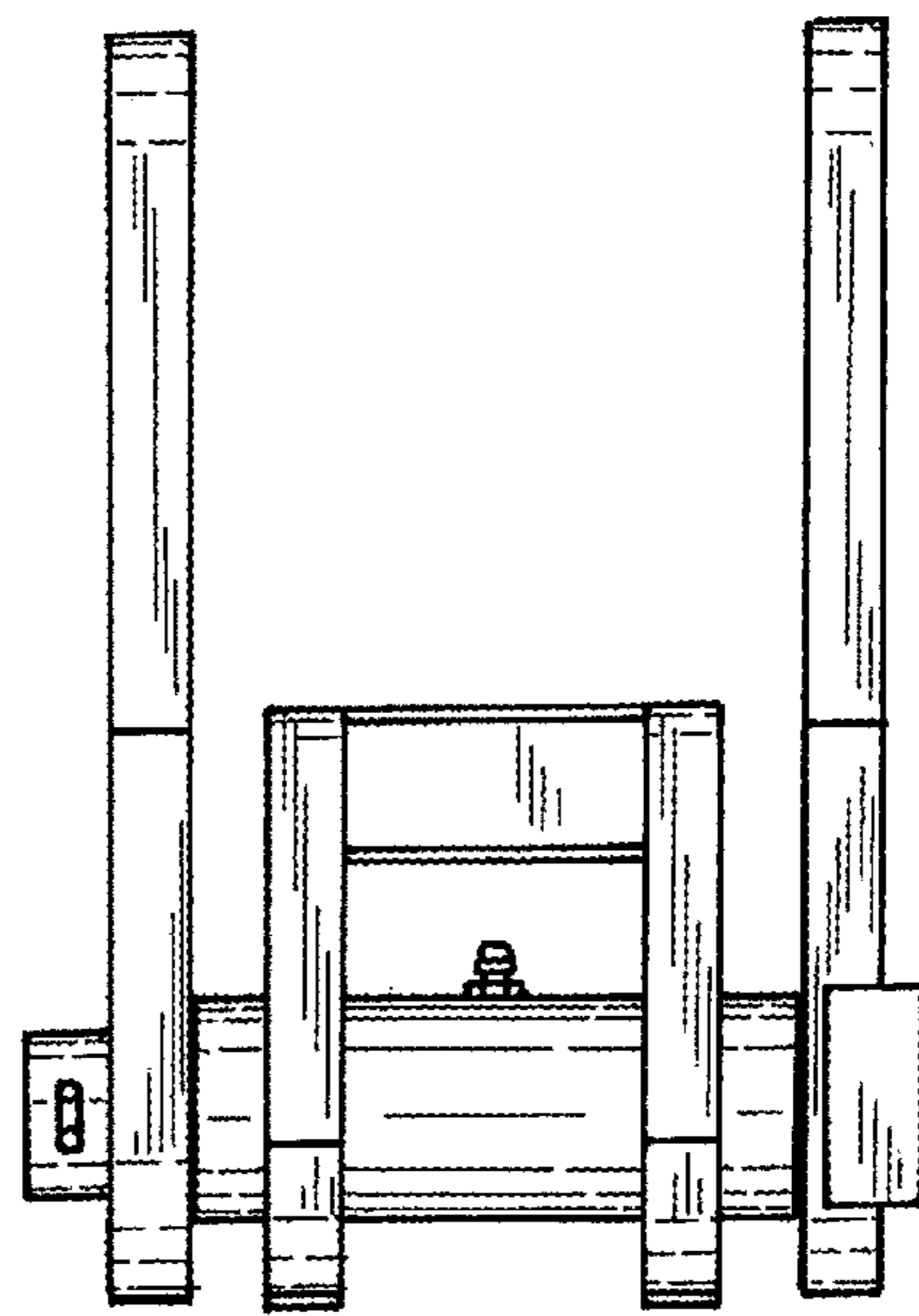


FIG. 7

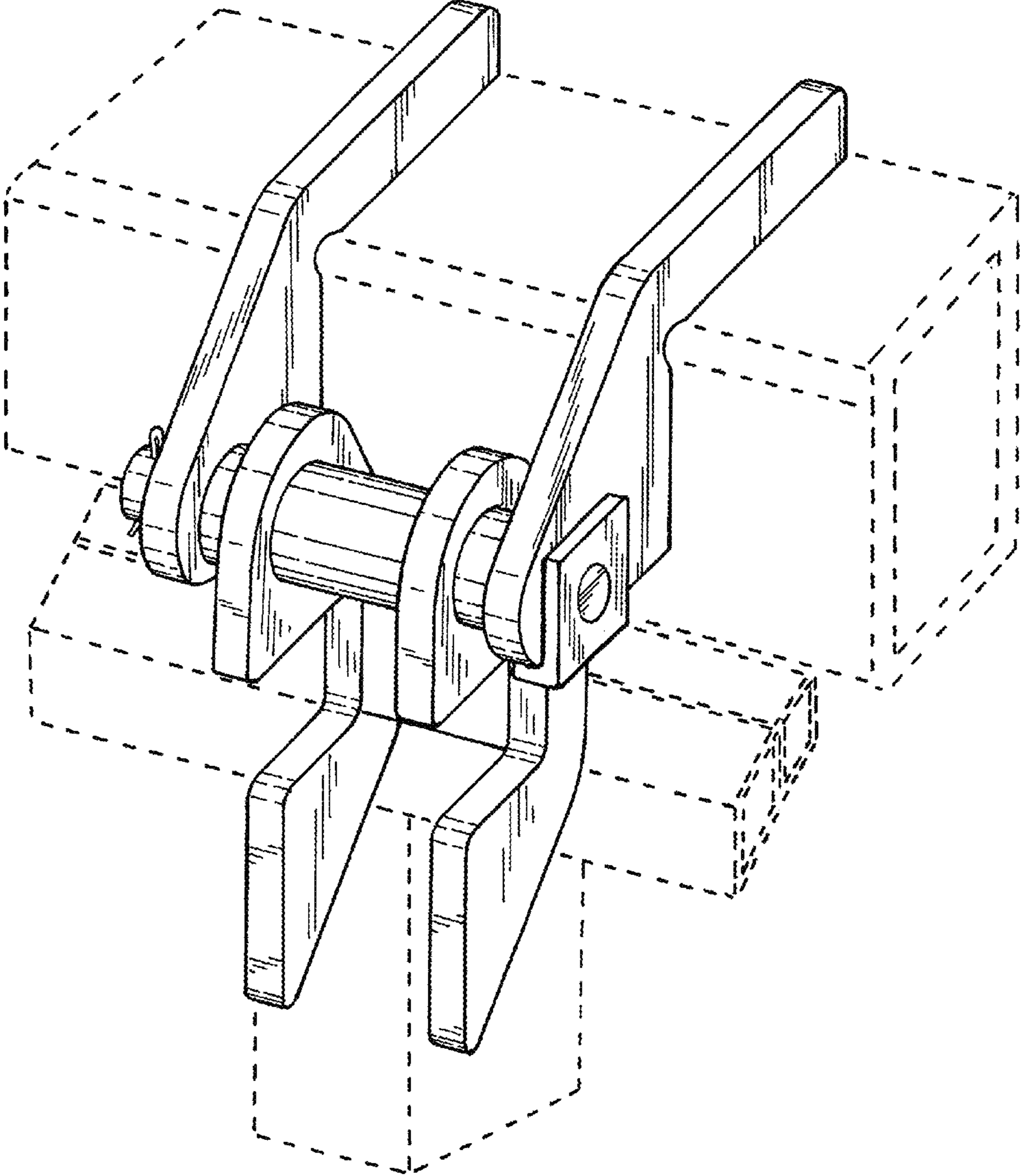


FIG. 8



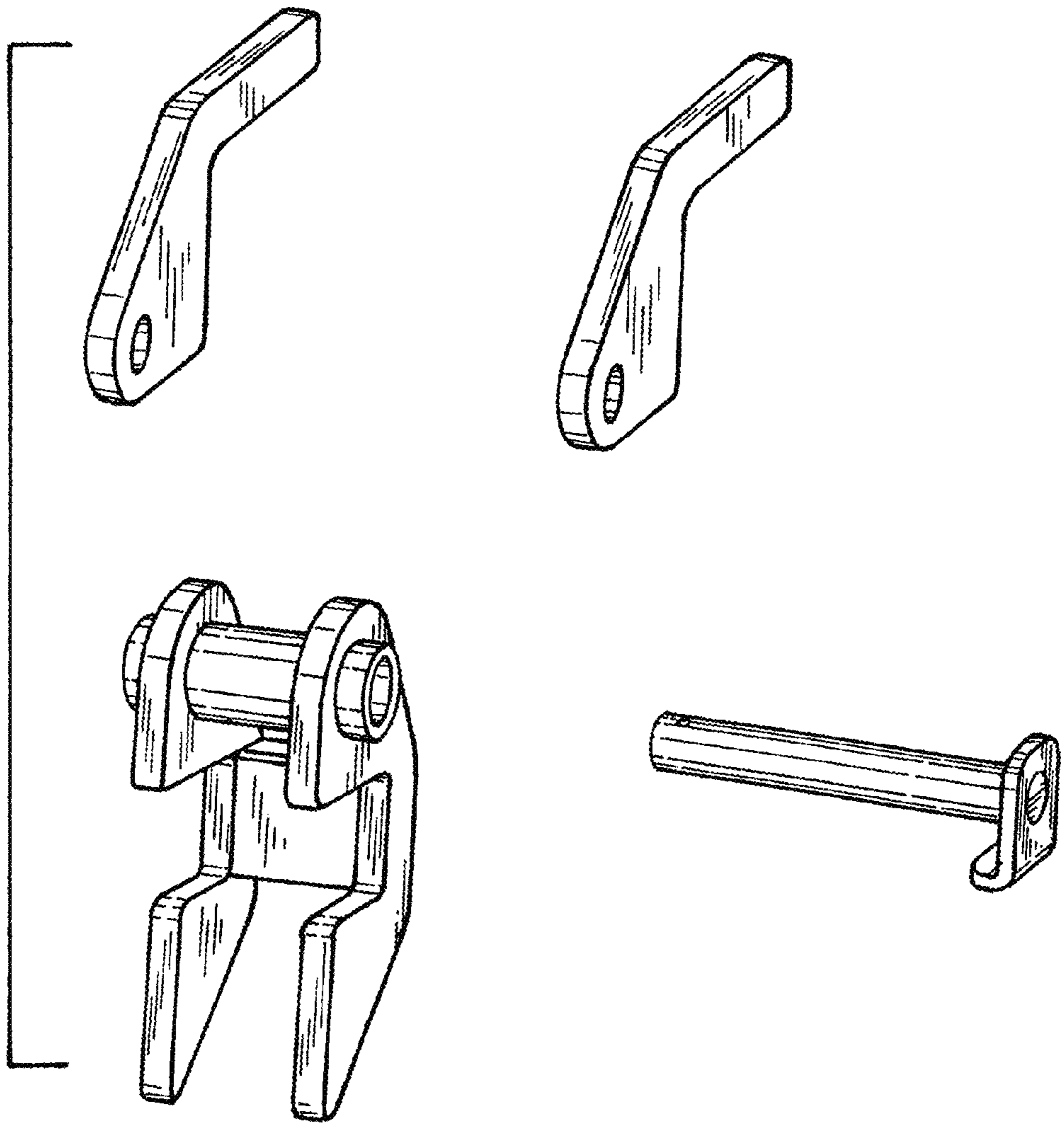


FIG.9

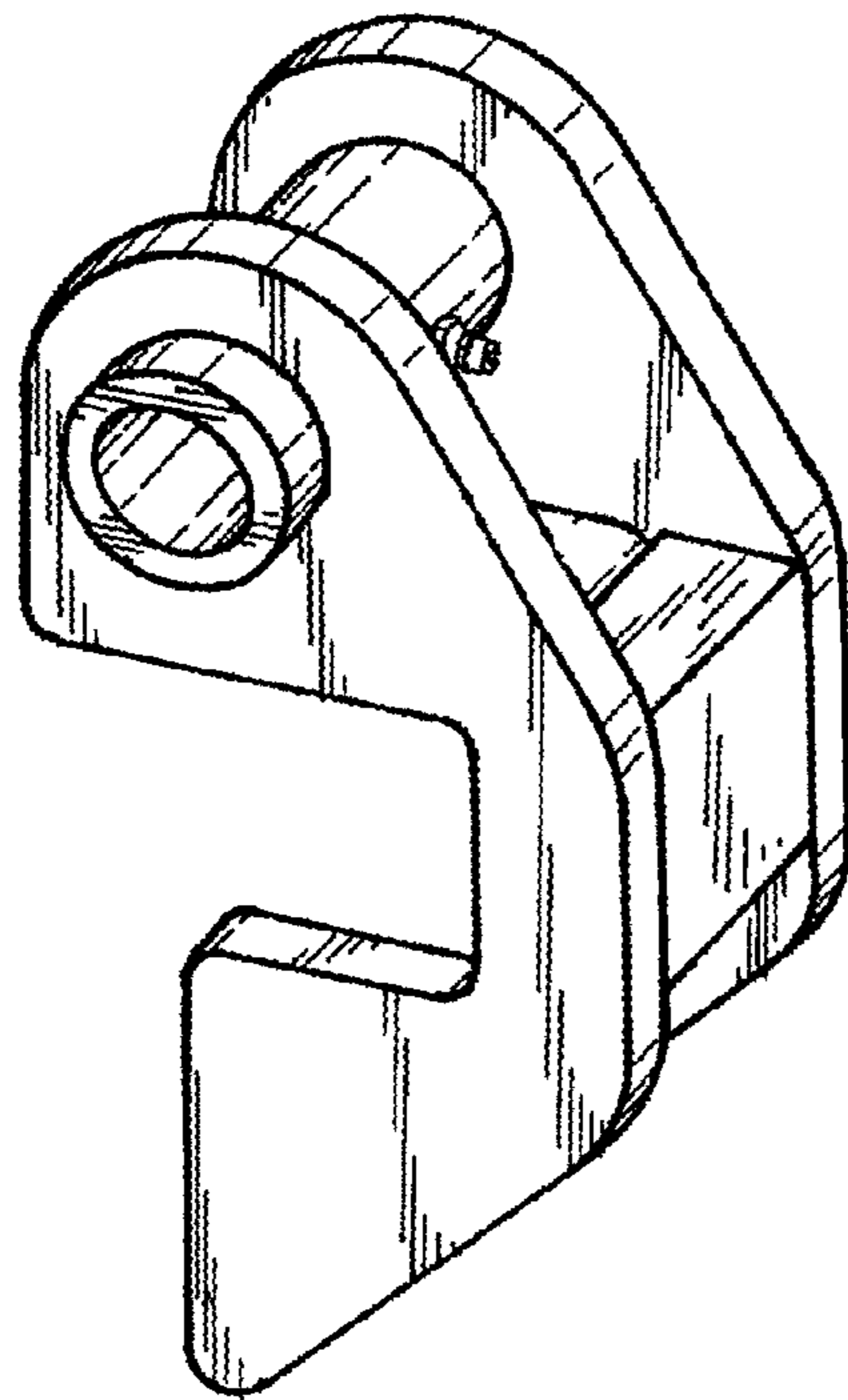


FIG.10

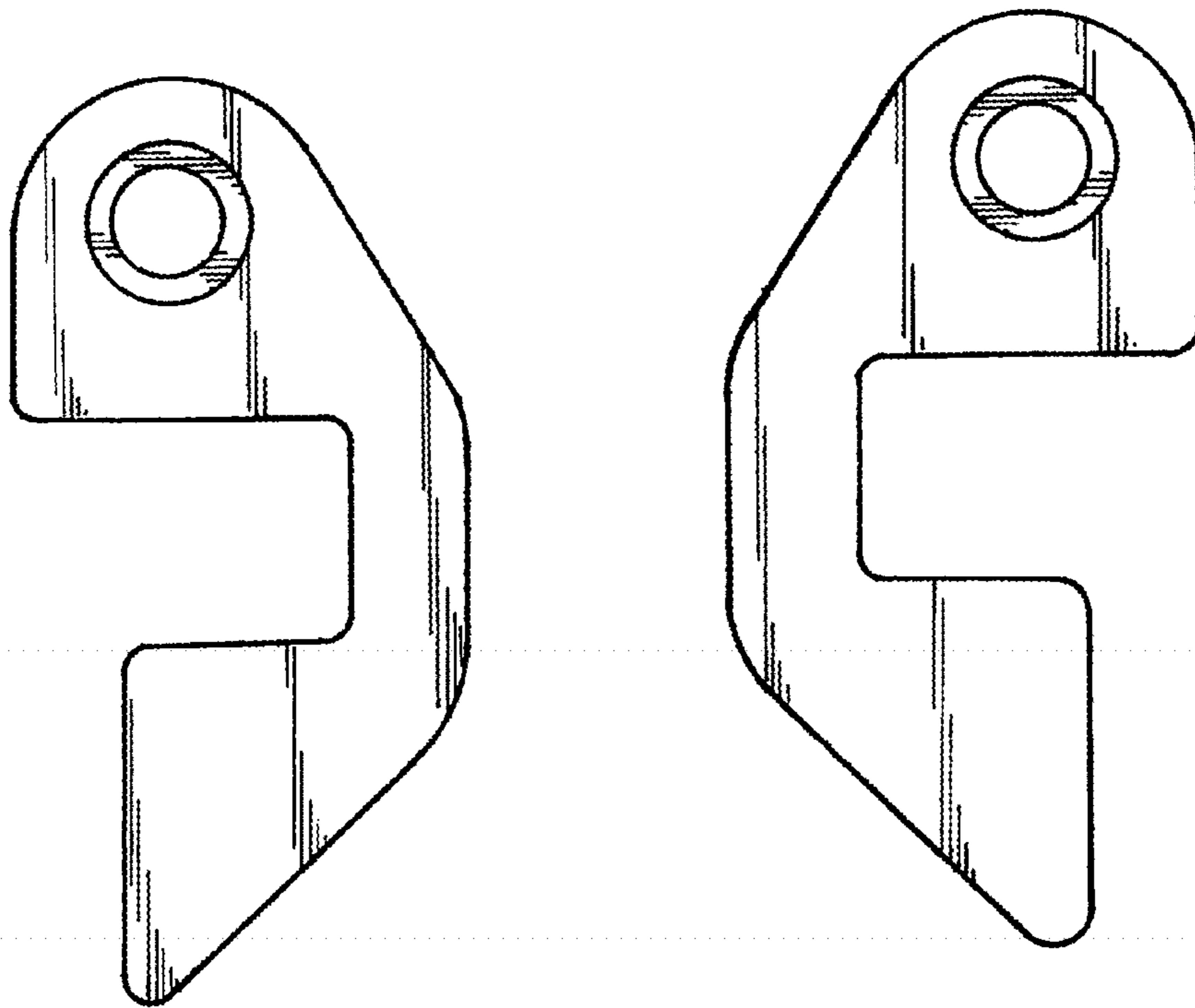


FIG.11

FIG.12

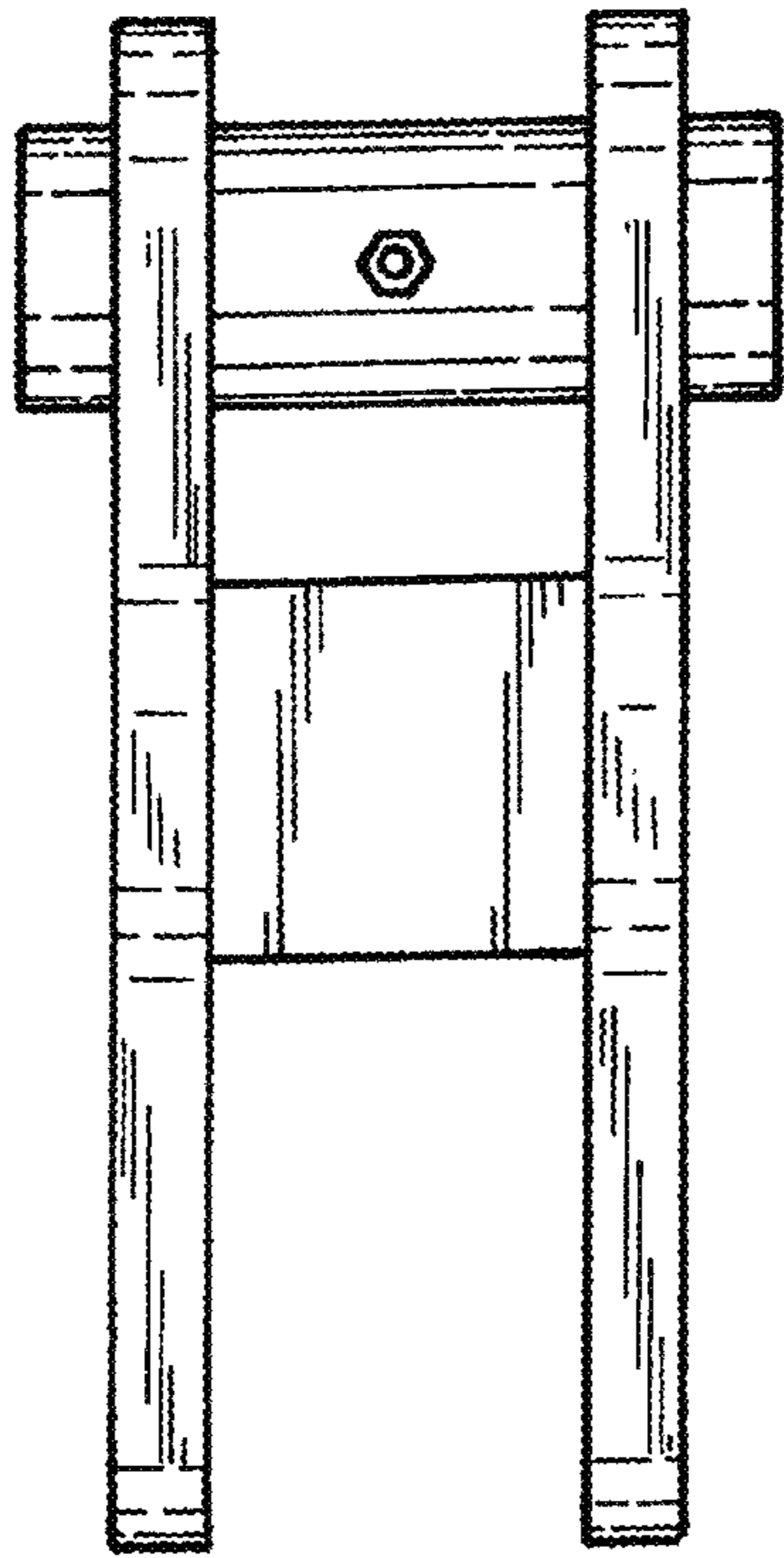


FIG. 13

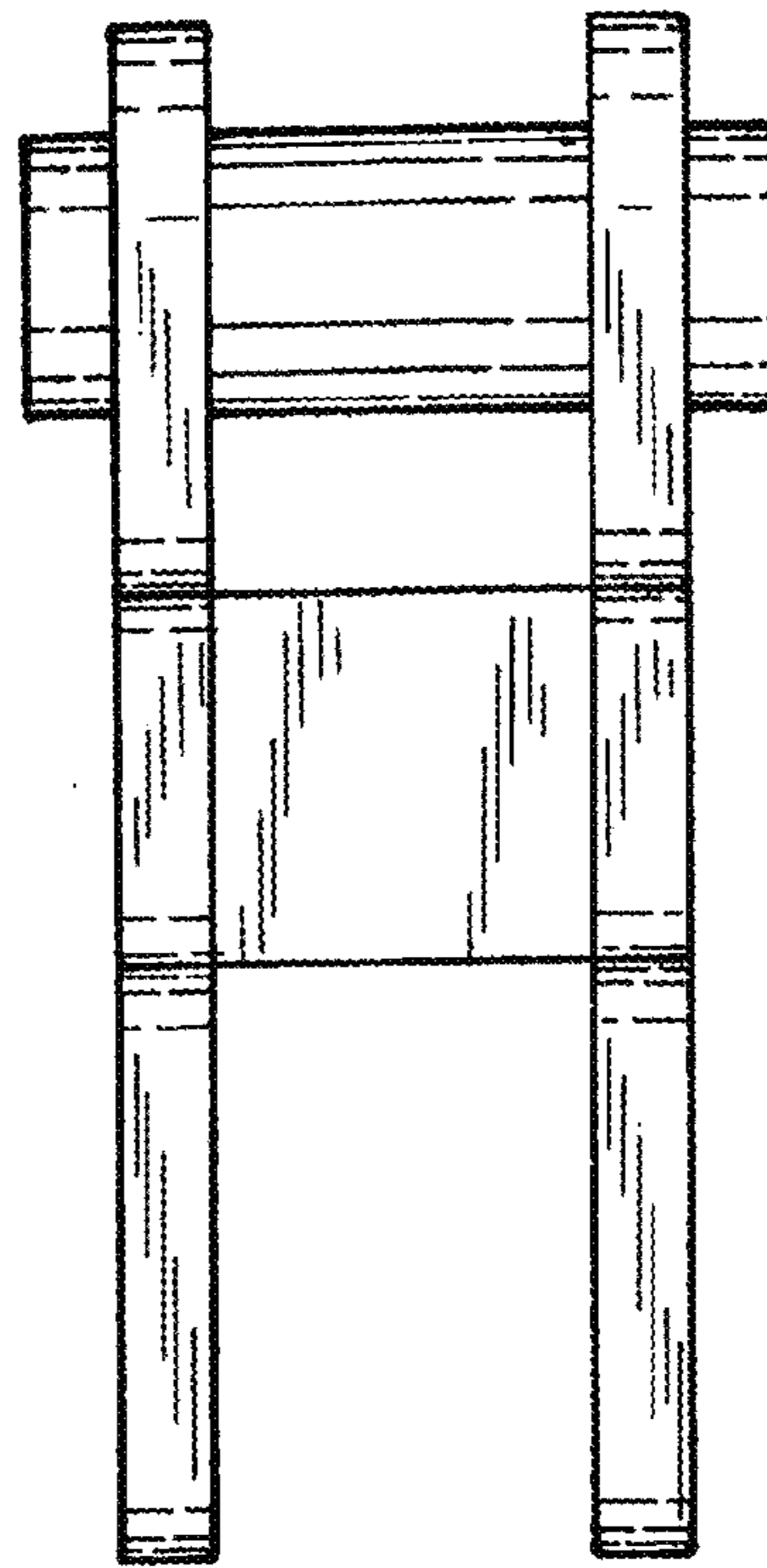


FIG. 14

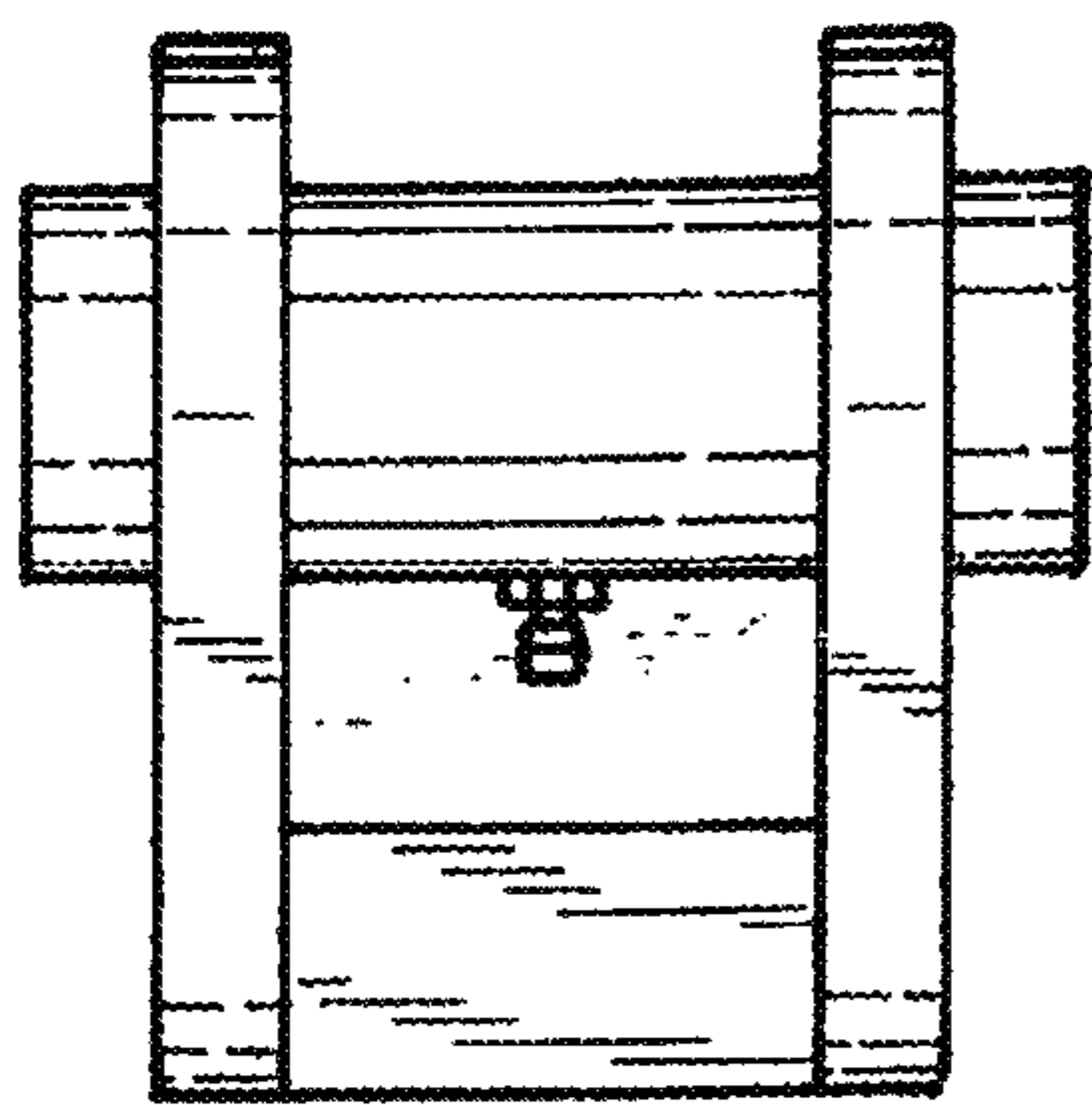


FIG. 15

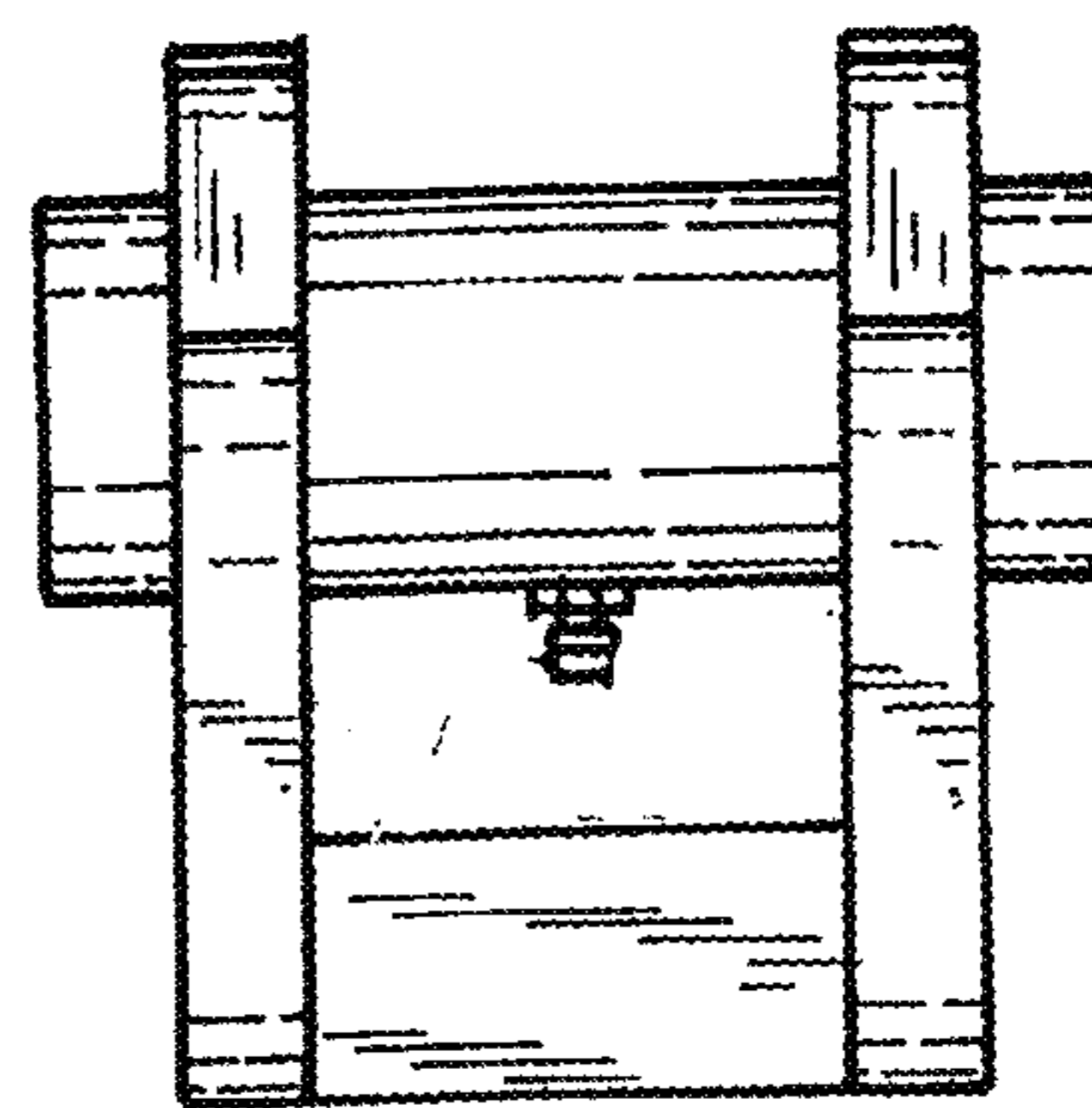


FIG. 16

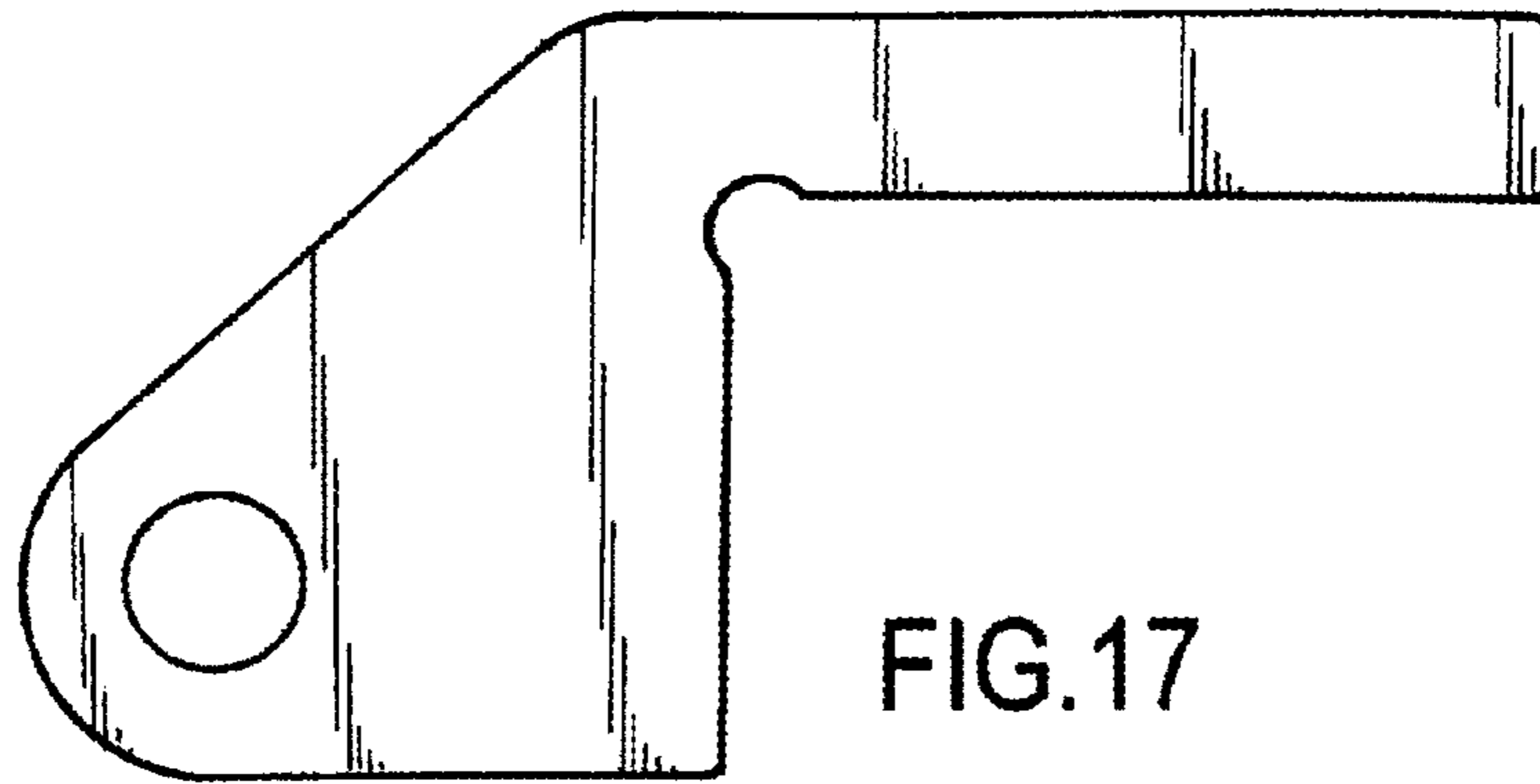


FIG.17

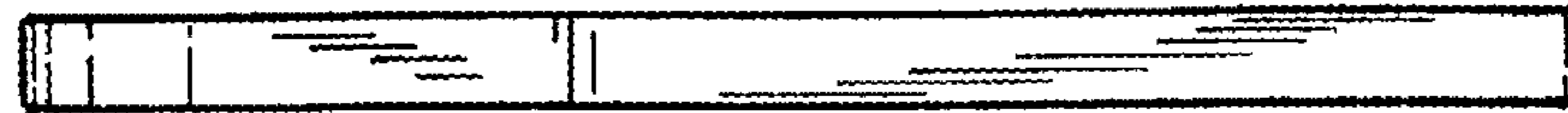


FIG.18



FIG.19



FIG.20



FIG.21

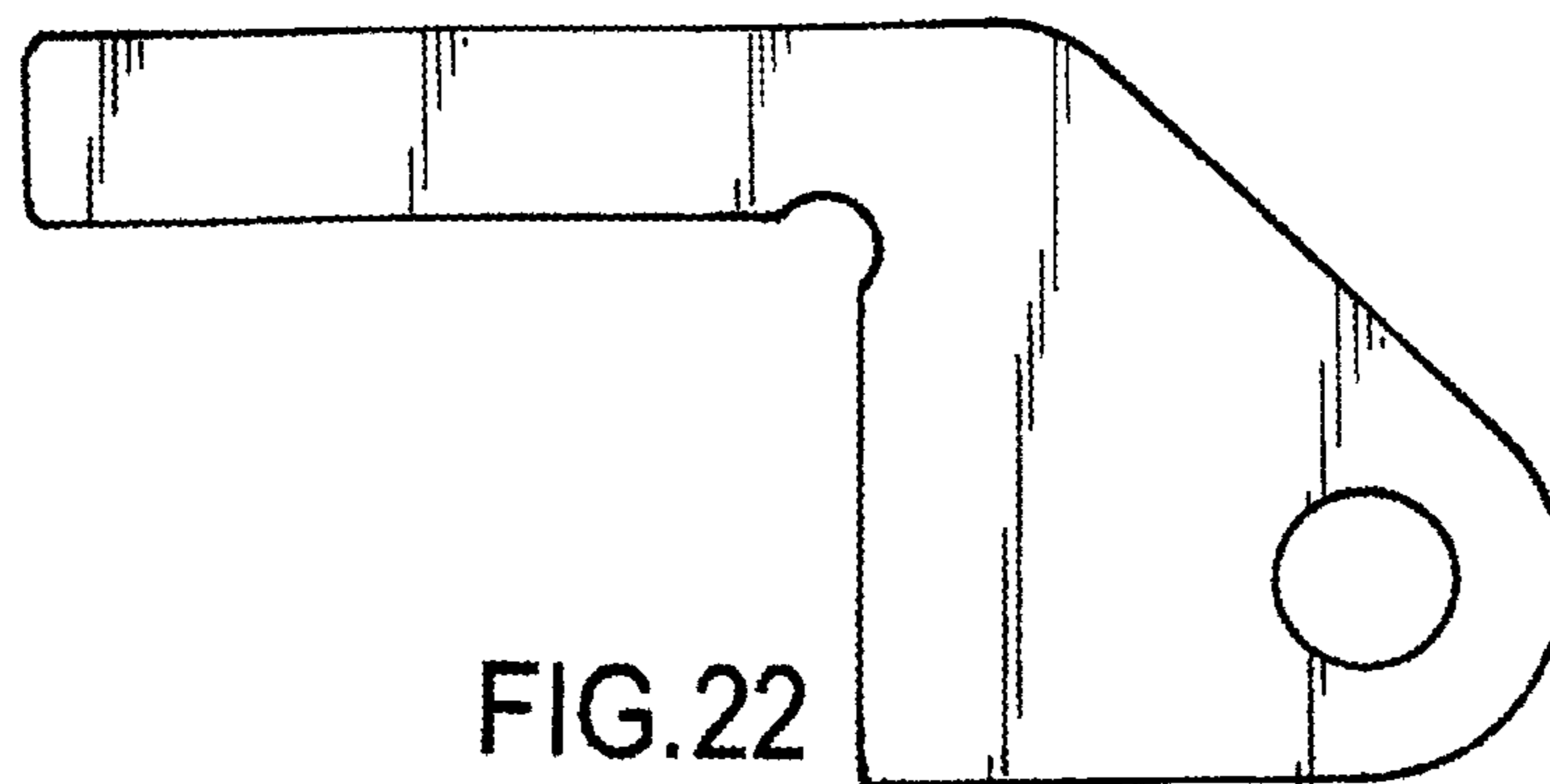


FIG.22