

US00D761633S

(12) **United States Design Patent**  
**Bertani**

(10) **Patent No.:** **US D761,633 S**  
(45) **Date of Patent:** **\*\* Jul. 19, 2016**

- (54) **CABINET DOOR LOCKING HANDLE**
- (71) Applicant: **Elesa S.p.A.**, Milan (IT)
- (72) Inventor: **Alberto Bertani**, Monza (IT)
- (73) Assignee: **ELESA S.P.A.**, Milan (IT)
- (\*\*) Term: **14 Years**
- (21) Appl. No.: **29/468,840**
- (22) Filed: **Oct. 3, 2013**
- (51) **LOC (10) Cl.** ..... **08-06**
- (52) **U.S. Cl.**  
USPC ..... **D8/313**
- (58) **Field of Classification Search**  
USPC ..... D8/301, 302, 313, 315, 316, 318, 319,  
D8/320, 331; 16/110.1, 402, 412, 415,  
16/416, 443, 444; 292/336.3, 347, 348,  
292/DIG. 23, DIG. 53; 70/207, 208, 209,  
70/224, 455; D7/393, 394  
CPC ... Y10T 16/44; Y10T 292/57; Y10T 70/5761;  
Y10T 70/5832; Y10T 16/458; Y10T  
292/1047; Y10T 16/513; Y10T 70/5889;  
Y10T 16/498; Y10T 70/5792; Y10T 16/476;  
Y10T 16/86; Y10T 70/7062; Y10T 70/8568;  
Y10T 16/4713; Y10T 70/5819; Y10T  
70/5155; Y10T 74/20732; Y10T 292/097;  
Y10T 292/1059; Y10T 70/7113; Y10T  
70/7305; Y10T 292/1014; Y10T 292/1052;  
Y10S 292/23; Y10S 292/53; Y10S 292/31;  
Y10S 292/64; Y10S 70/31  
See application file for complete search history.

- (56) **References Cited**  
U.S. PATENT DOCUMENTS  
D162,676 S \* 3/1951 Morgan ..... D7/393

4,343,501 A *	8/1982	Meeks	.....	E05B 85/12 292/113
5,072,977 A *	12/1991	Millman	.....	E05B 63/04 292/172
D420,562 S *	2/2000	McCoy	.....	D8/331
D466,392 S *	12/2002	Halajko	.....	D8/306
D488,991 S *	4/2004	Bertani	.....	D8/313
D533,434 S *	12/2006	Riblett	.....	D8/331
D555,423 S *	11/2007	Hoff	.....	D7/393
D581,769 S *	12/2008	Mattson	.....	D8/307
D584,128 S *	1/2009	Ricereto	.....	D8/313
2006/0267356 A1 *	11/2006	Catalano	.....	E05B 17/106 292/336.3
2015/0159399 A1 *	6/2015	Shah	.....	E05C 1/14 292/336.3

\* cited by examiner

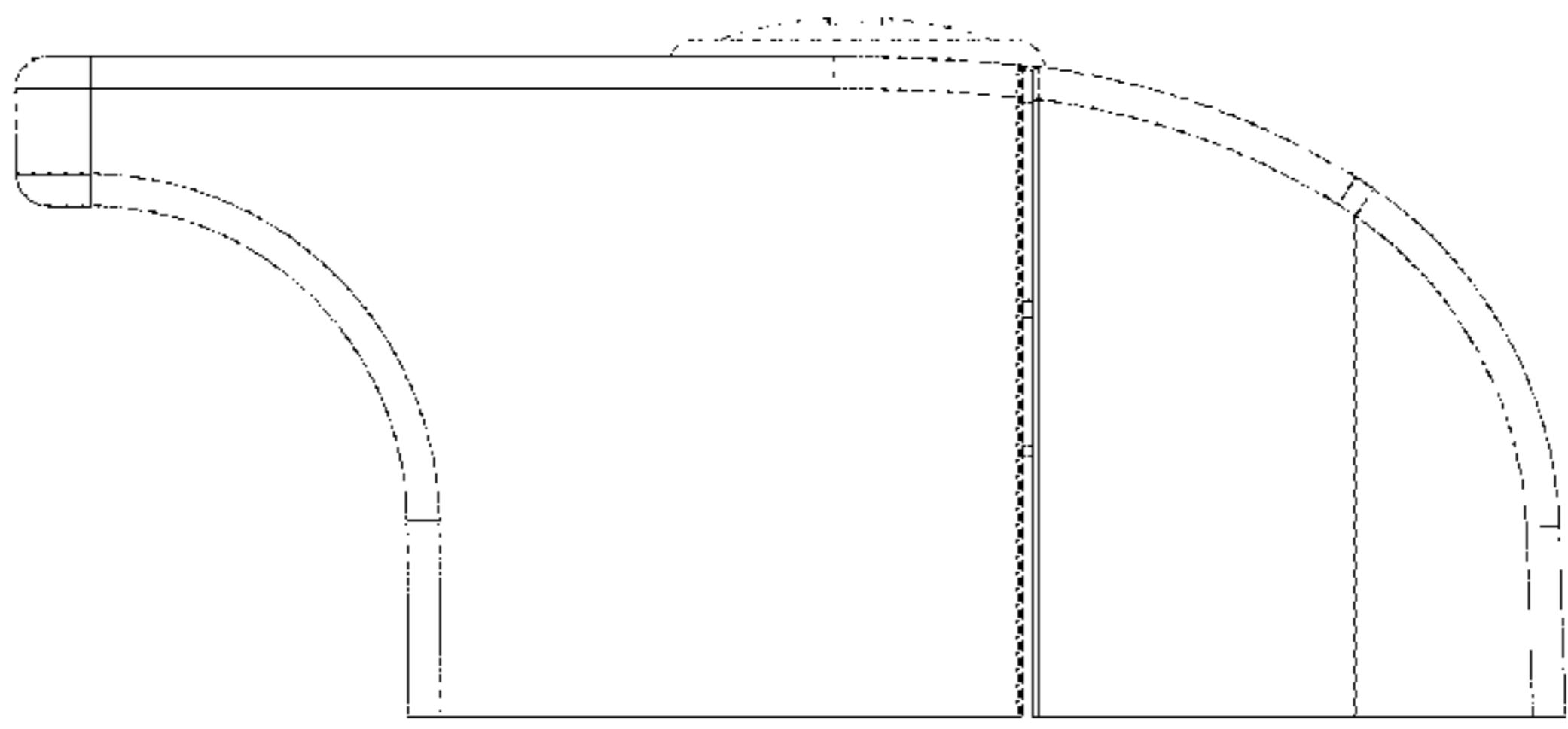
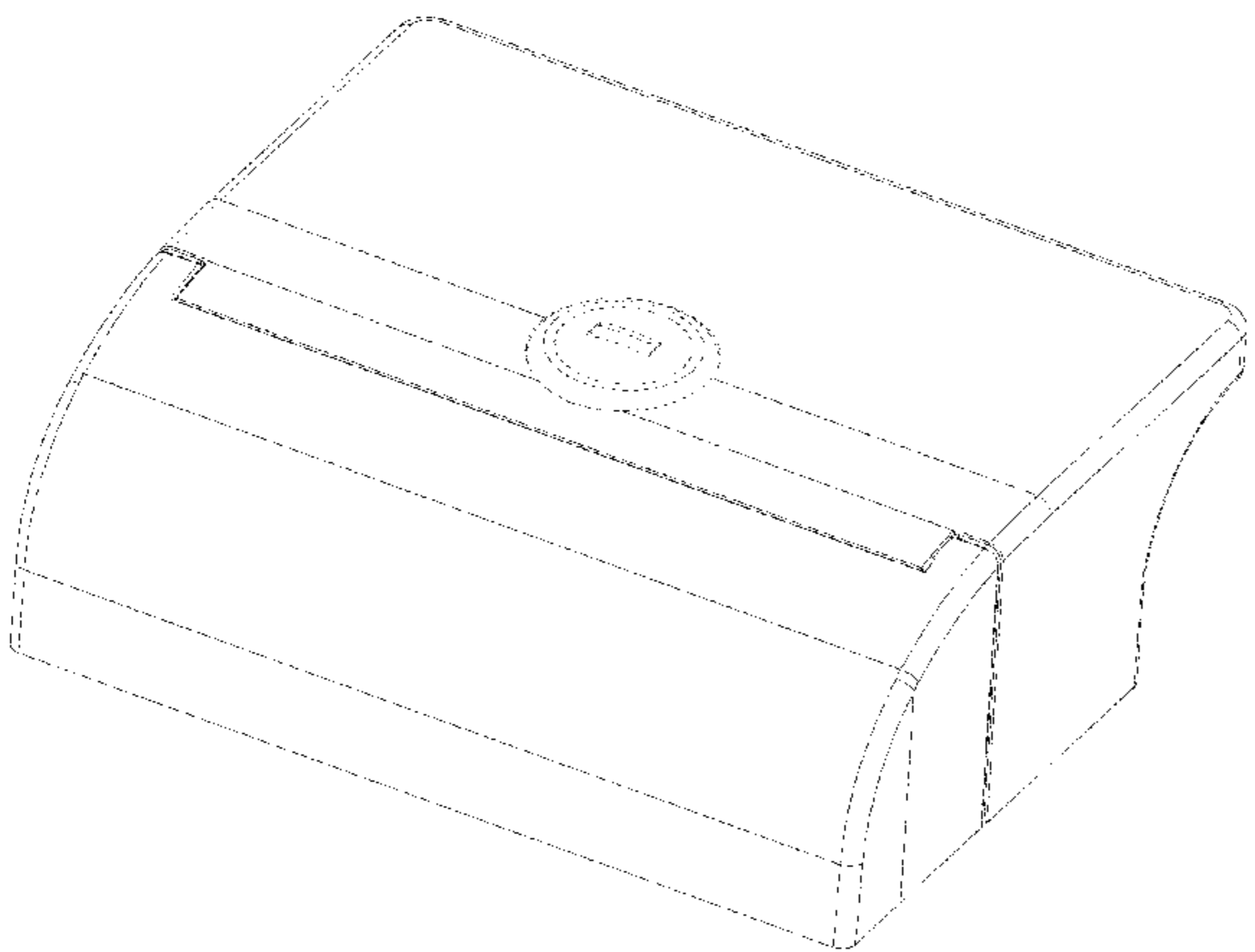
*Primary Examiner* — Derrick Holland  
*Assistant Examiner* — Lauren Calve  
 (74) *Attorney, Agent, or Firm* — Pearne & Gordon LLP

(57) **CLAIM**  
 The ornamental design for a cabinet door locking handle, as shown and described.

**DESCRIPTION**

FIG. 1 is a perspective view of a cabinet door locking handle showing my new design;  
 FIG. 2 is a top view thereof;  
 FIG. 3 is a left side view thereof;  
 FIG. 4 is a right side view thereof;  
 FIG. 5 is a front view thereof;  
 FIG. 6 is a rear view thereof; and,  
 FIG. 7 is a bottom view thereof.  
 The broken lines shown represent unclaimed subject matter and form no part of the claimed design.

**1 Claim, 7 Drawing Sheets**



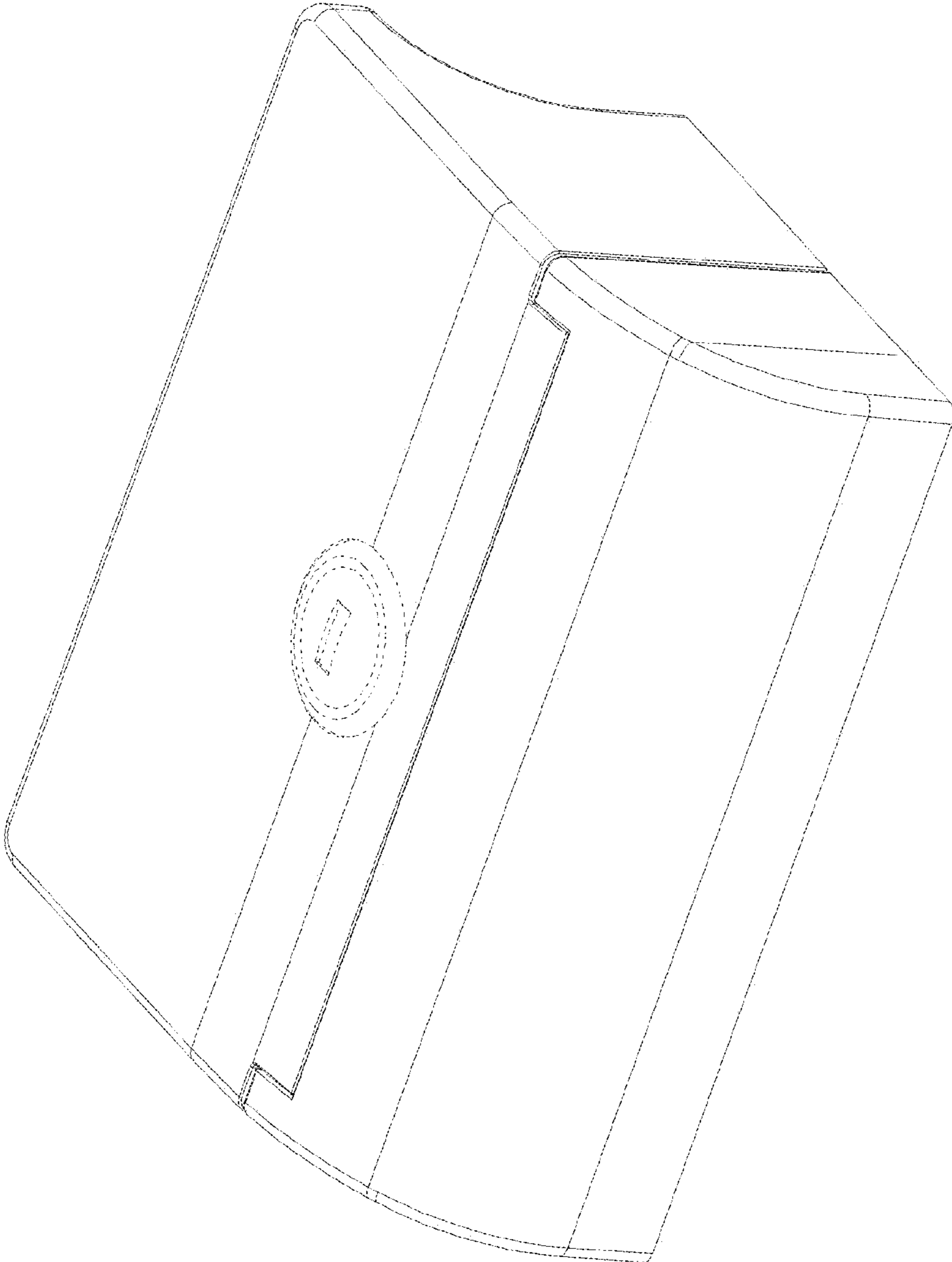


FIG. 1

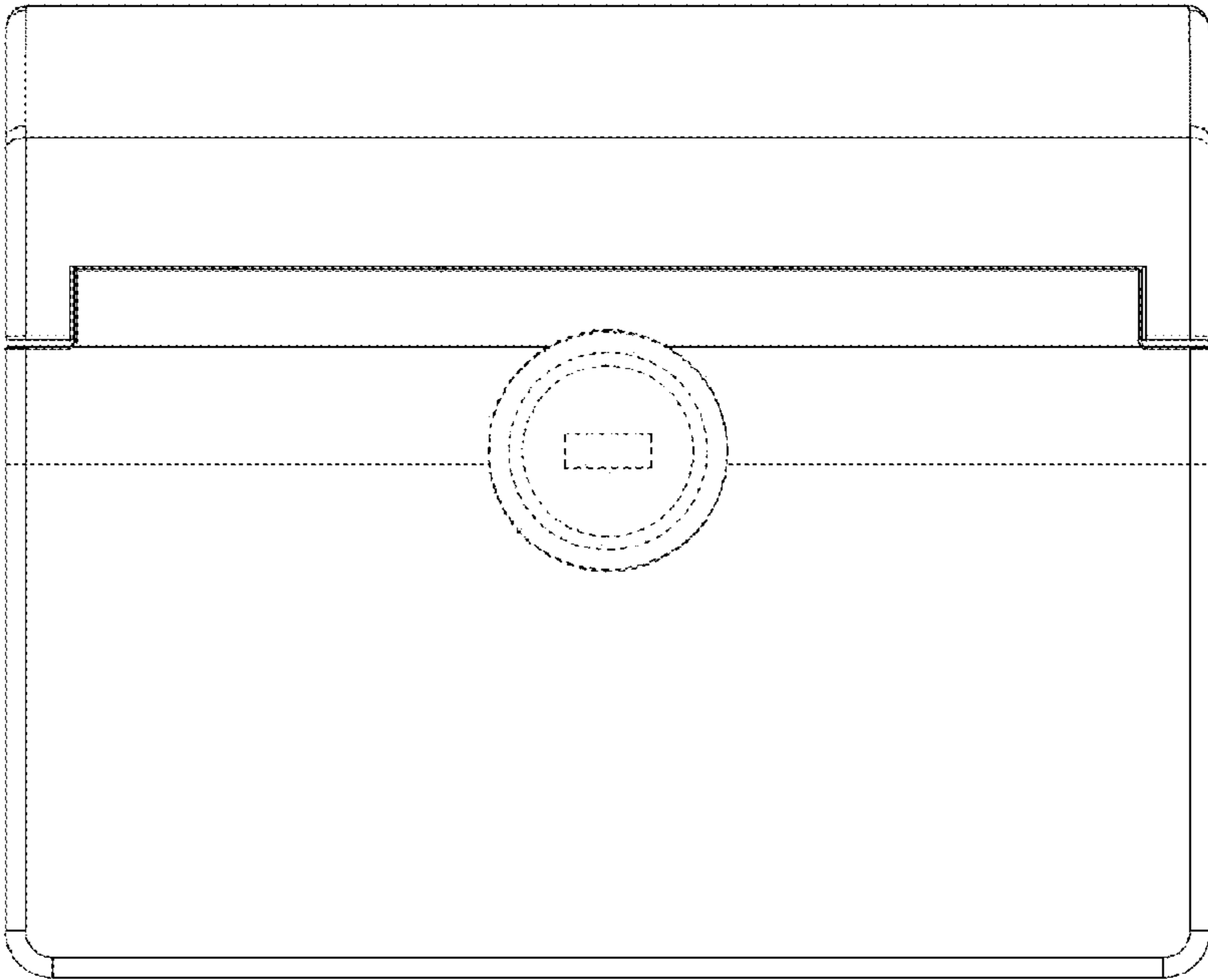


FIG. 2

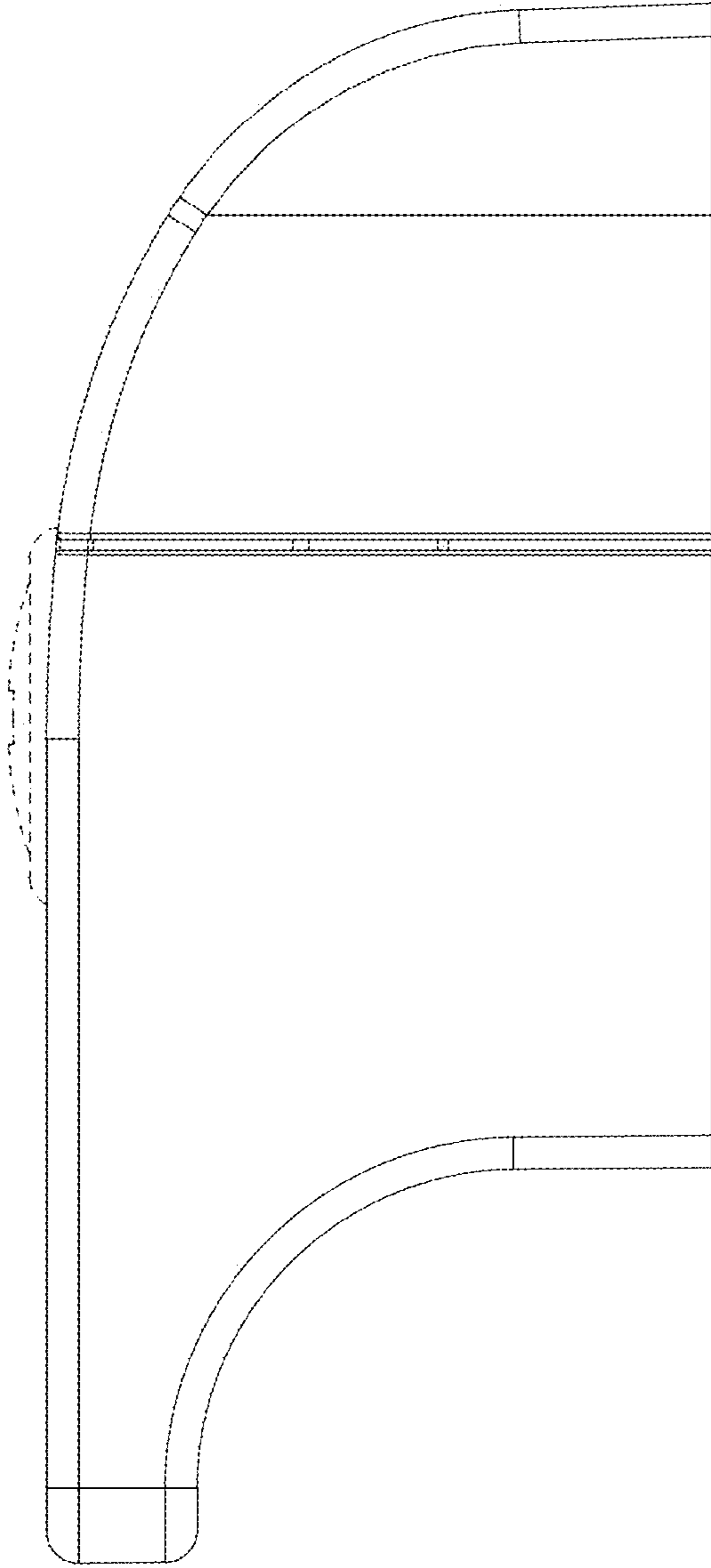


FIG. 3

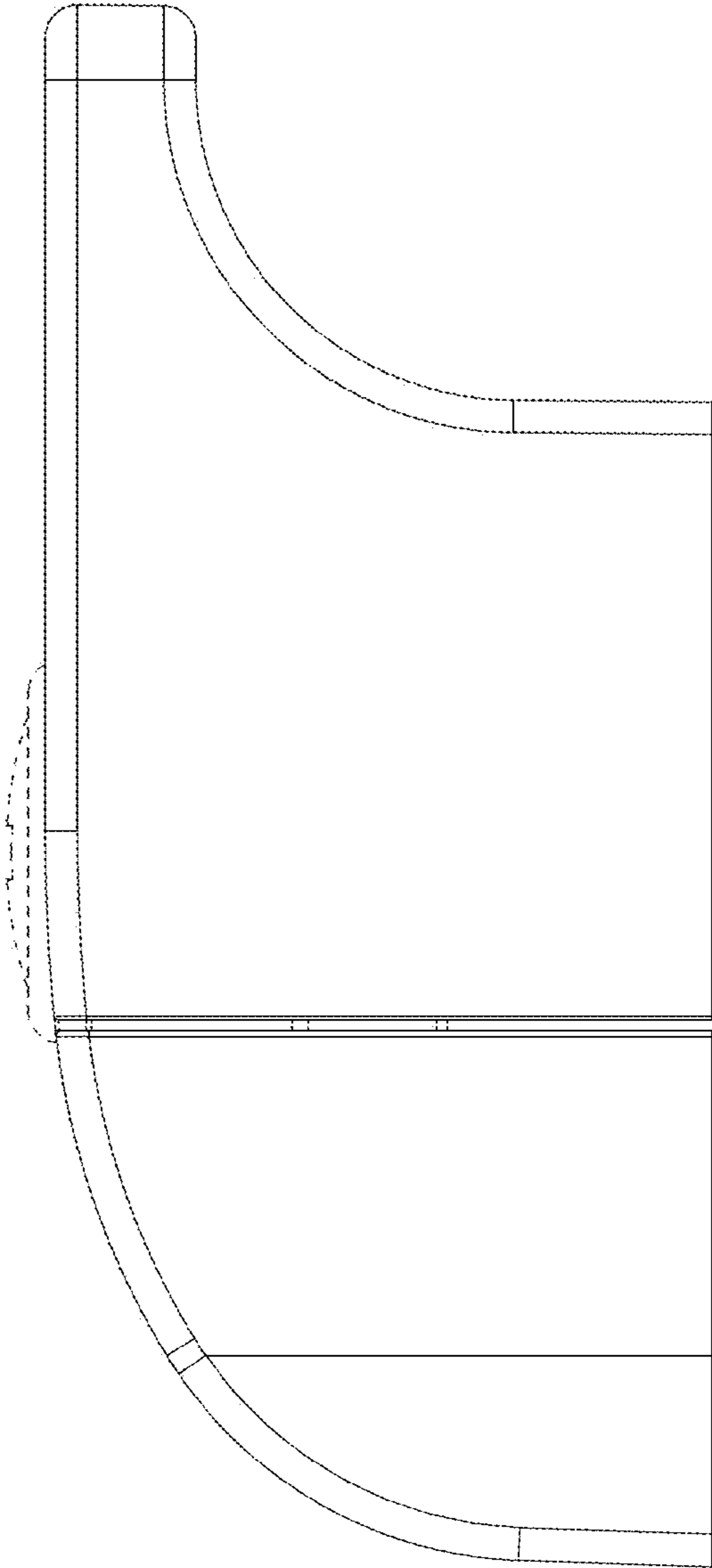


FIG. 4

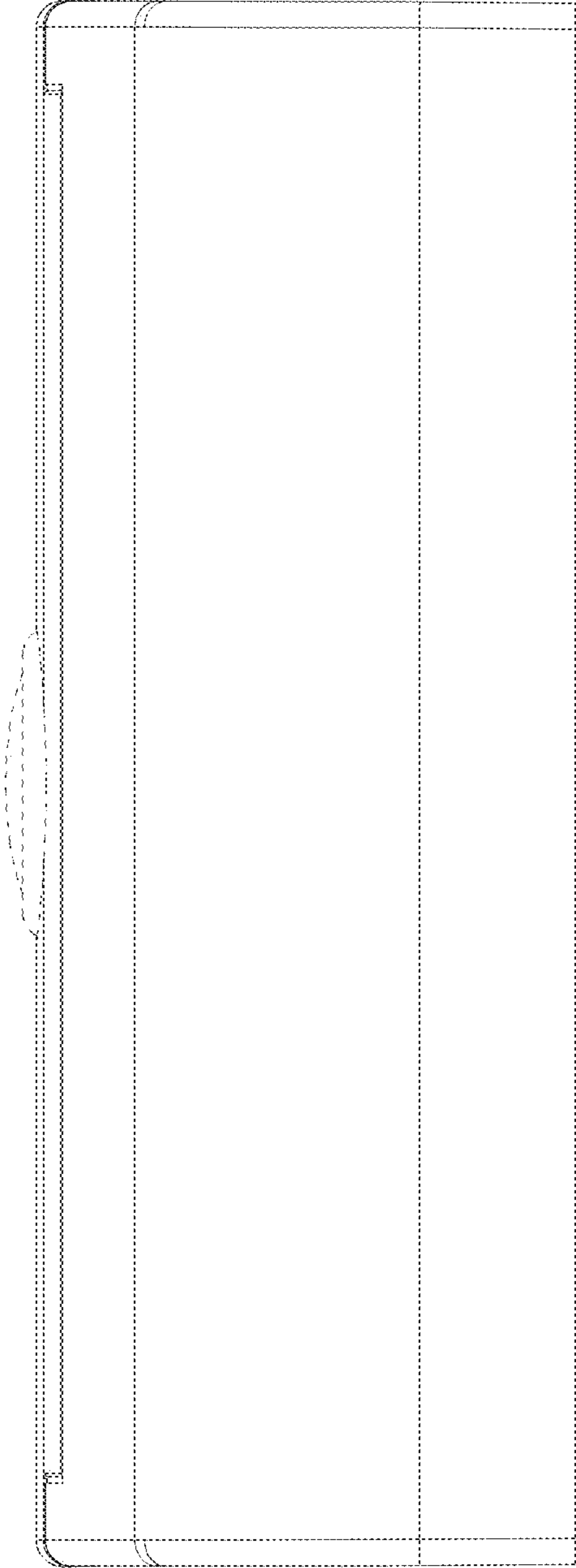


FIG. 5

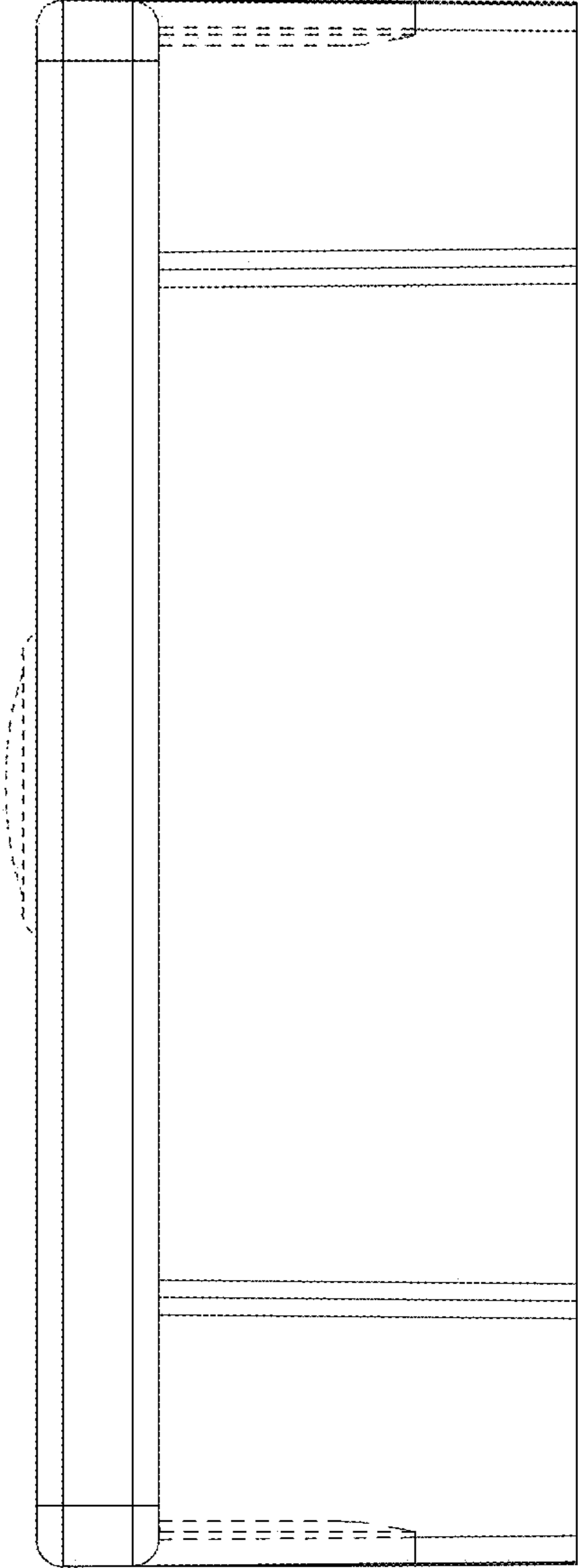


FIG. 6

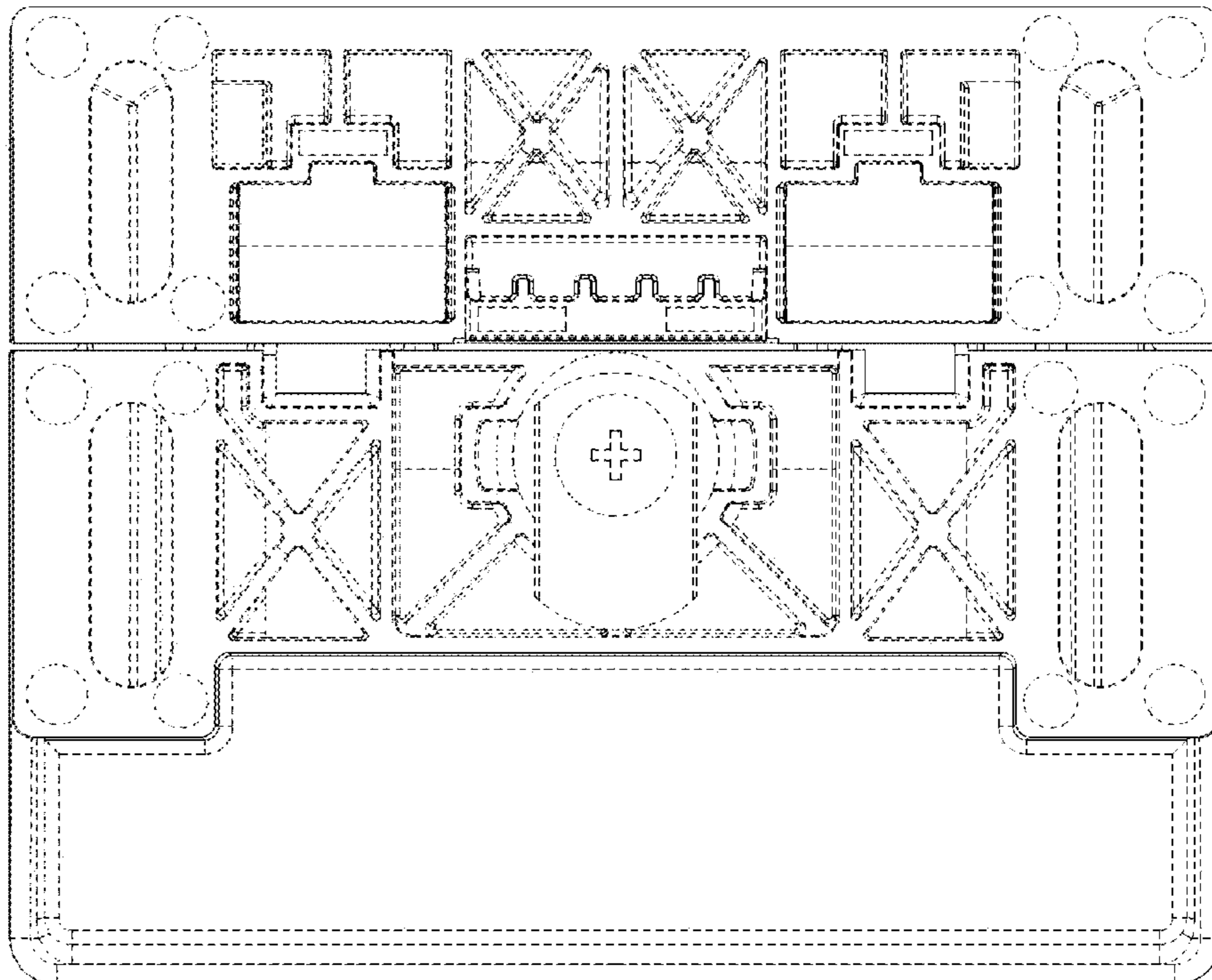


FIG. 7