

US00D761629S

(12) **United States Design Patent**
Suarez

(10) **Patent No.:** **US D761,629 S**
(45) **Date of Patent:** **** Jul. 19, 2016**

- (54) **CLAM OPENER**
- (71) Applicant: **Carlos Suarez**, Hialeah, FL (US)
- (72) Inventor: **Carlos Suarez**, Hialeah, FL (US)
- (**) Term: **14 Years**
- (21) Appl. No.: **29/526,386**
- (22) Filed: **May 8, 2015**
- (51) **LOC (10) Cl.** **07-04**
- (52) **U.S. Cl.**
USPC **D7/693**
- (58) **Field of Classification Search**
USPC D7/693, 669, 368; D8/14, 47, 71, 74
CPC .. A22C 29/043; A22C 29/046; A47G 21/062;
A47G 21/065
See application file for complete search history.

- 3,654,666 A * 4/1972 Lanier A47G 21/062
452/16
- 3,748,692 A * 7/1973 Valentino A47G 21/062
452/16
- 4,590,644 A * 5/1986 Maniscalco A47G 21/062
452/16

* cited by examiner

Primary Examiner — Terry Wallace

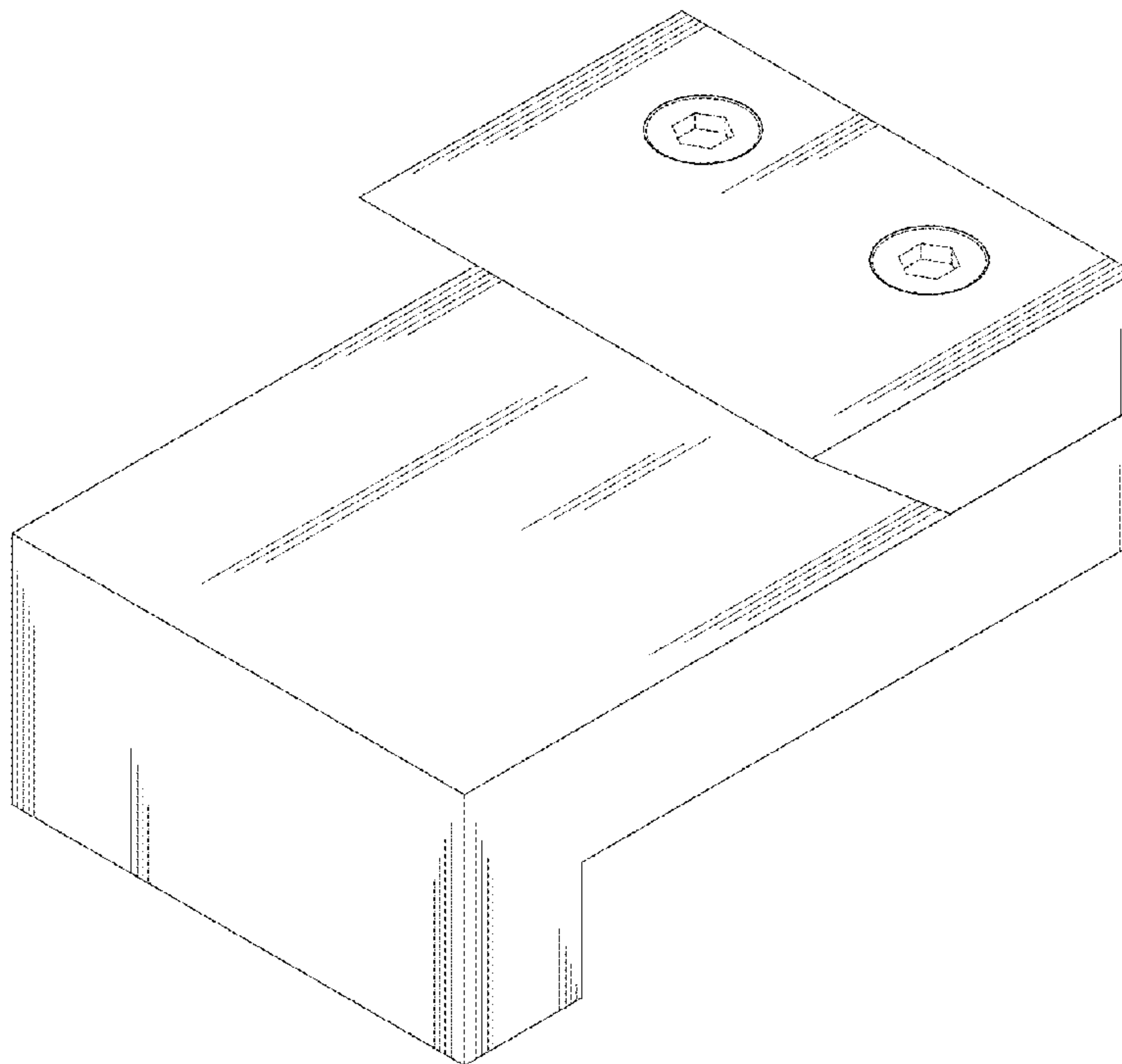
(57) **CLAIM**
The ornamental design for a clam opener, as shown and described.

DESCRIPTION

FIG. 1 is a perspective view of a clam opener showing my new design;
FIG. 2 is a front elevational view thereof;
FIG. 3 is a rear elevational view thereof;
FIG. 4 is a left side elevational view thereof;
FIG. 5 is a right side elevational view thereof;
FIG. 6 is a top plan view thereof; and,
FIG. 7 is a bottom plan view thereof.

1 Claim, 7 Drawing Sheets

- (56) **References Cited**
U.S. PATENT DOCUMENTS
332,403 A * 12/1885 Leduc A47G 21/062
452/16
2,747,220 A * 5/1956 Thompson A47G 21/062
452/16



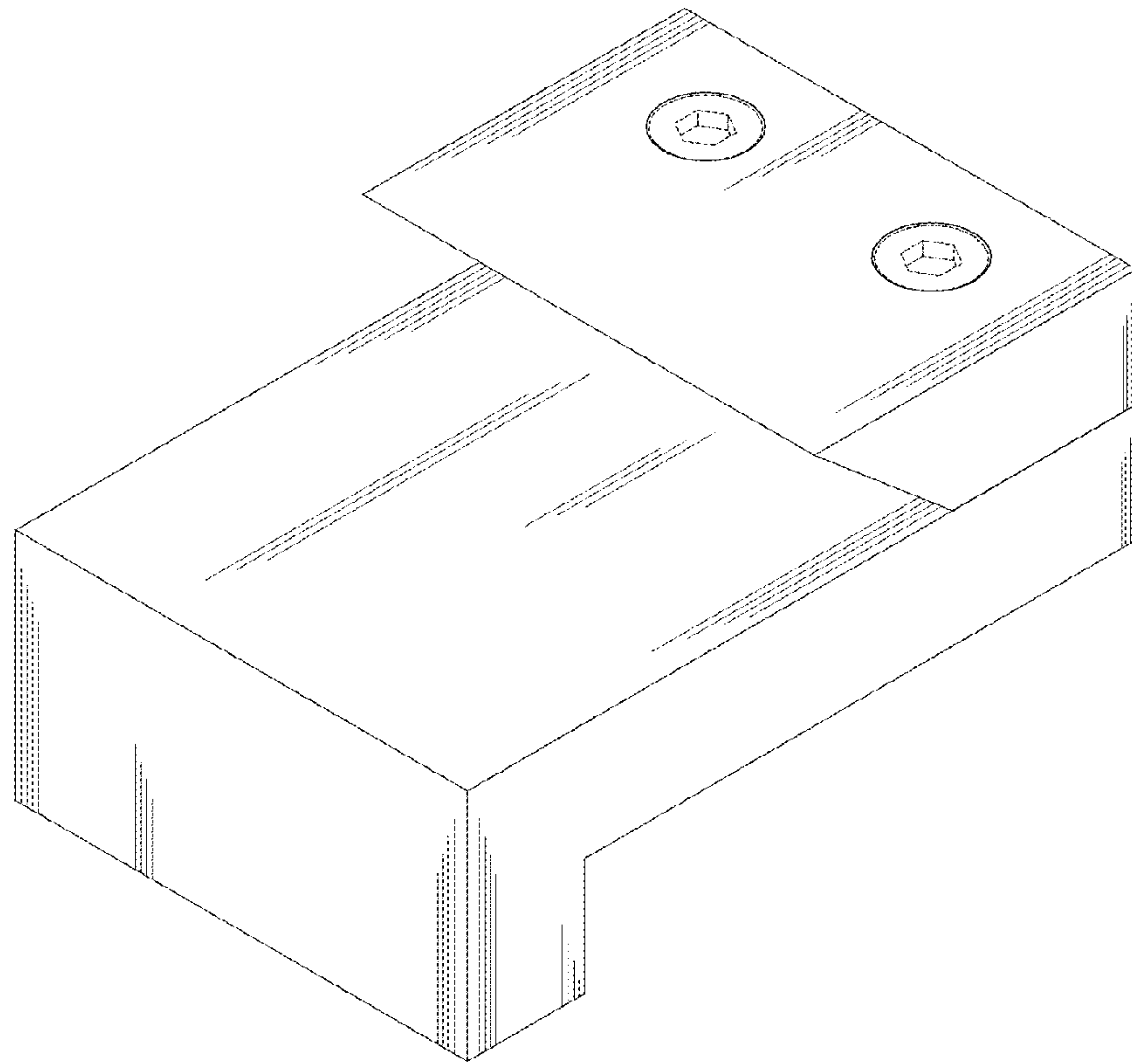


FIG. 1



FIG. 2



FIG. 3

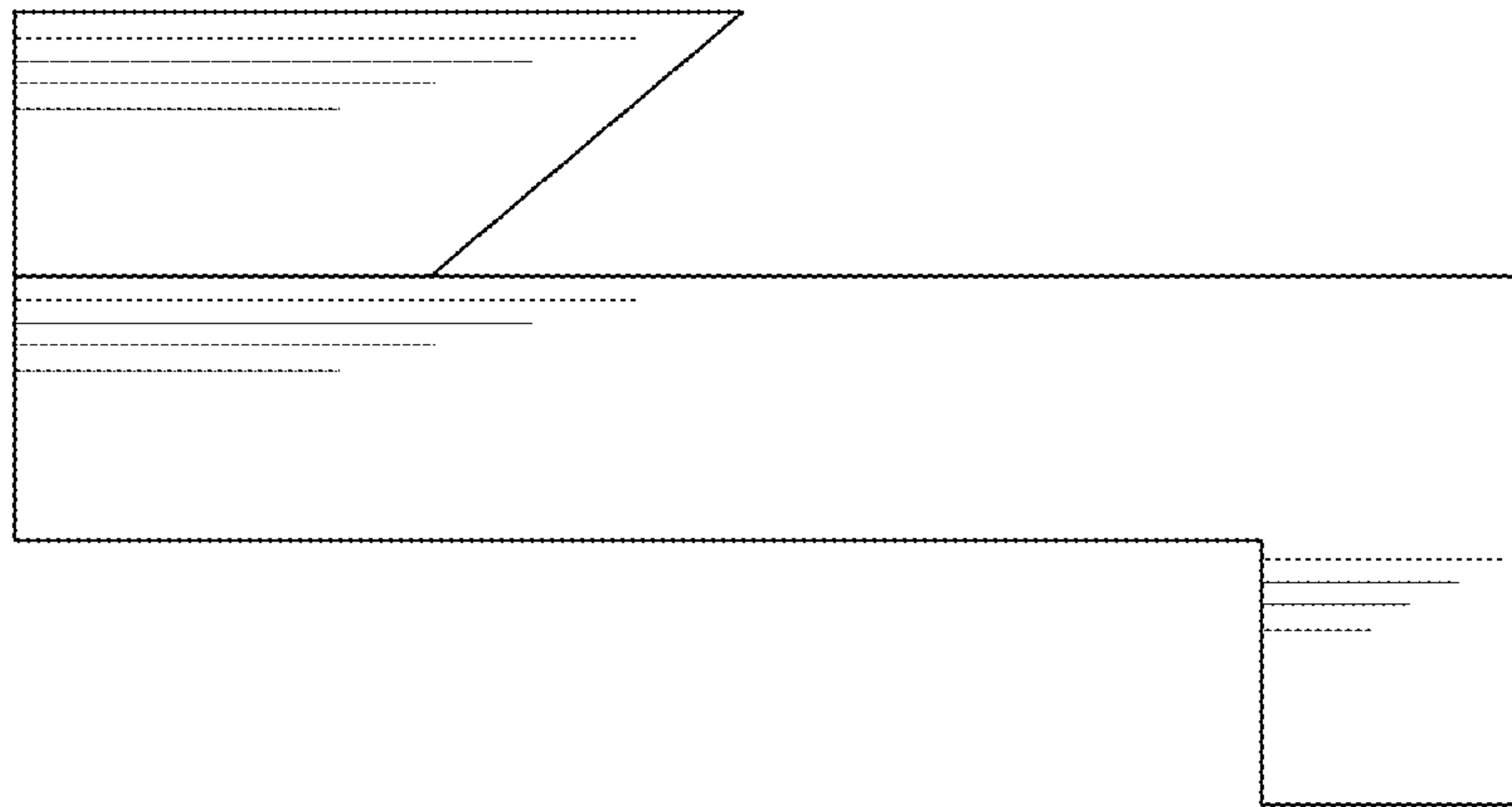


FIG. 4

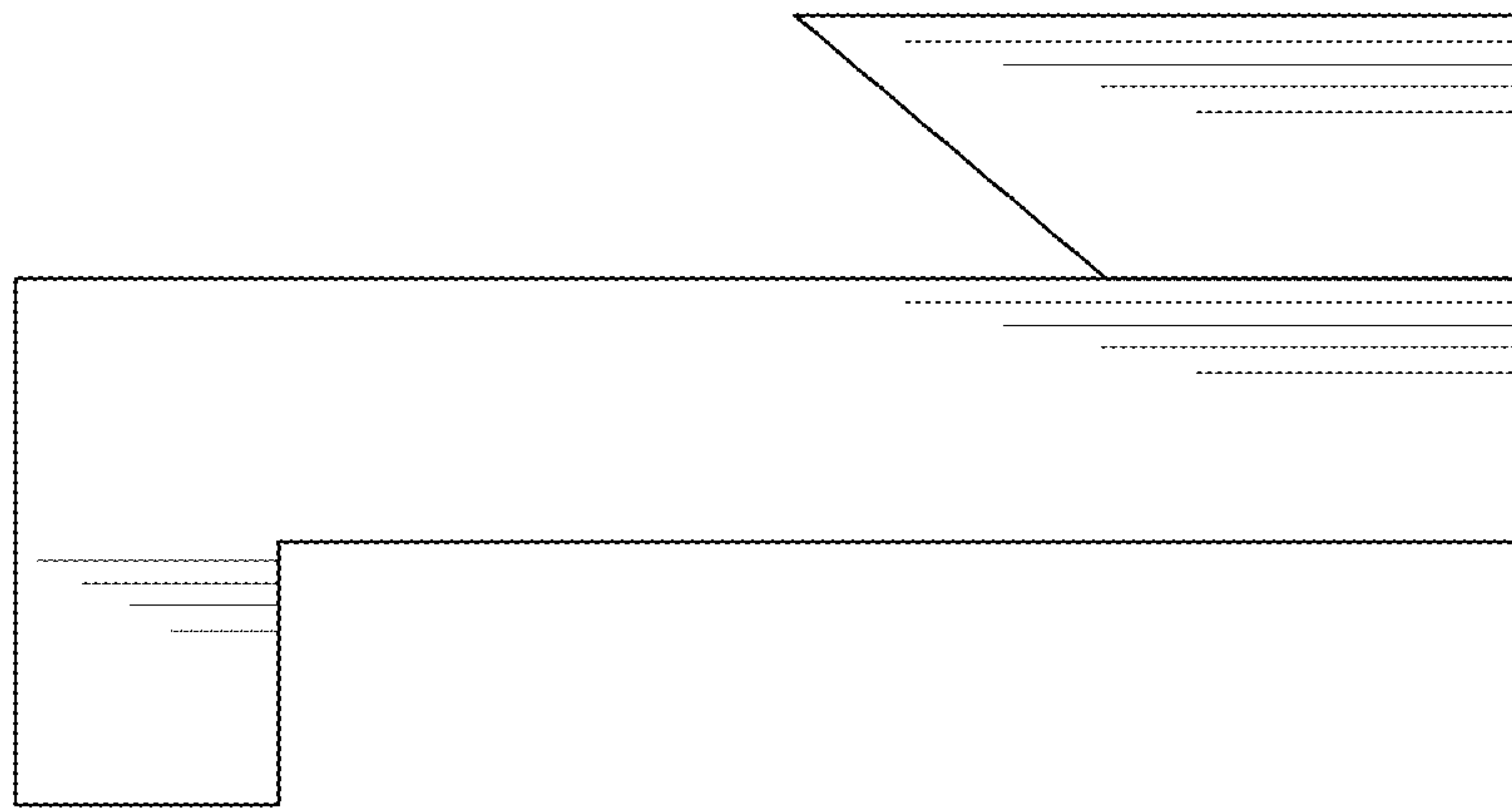


FIG. 5

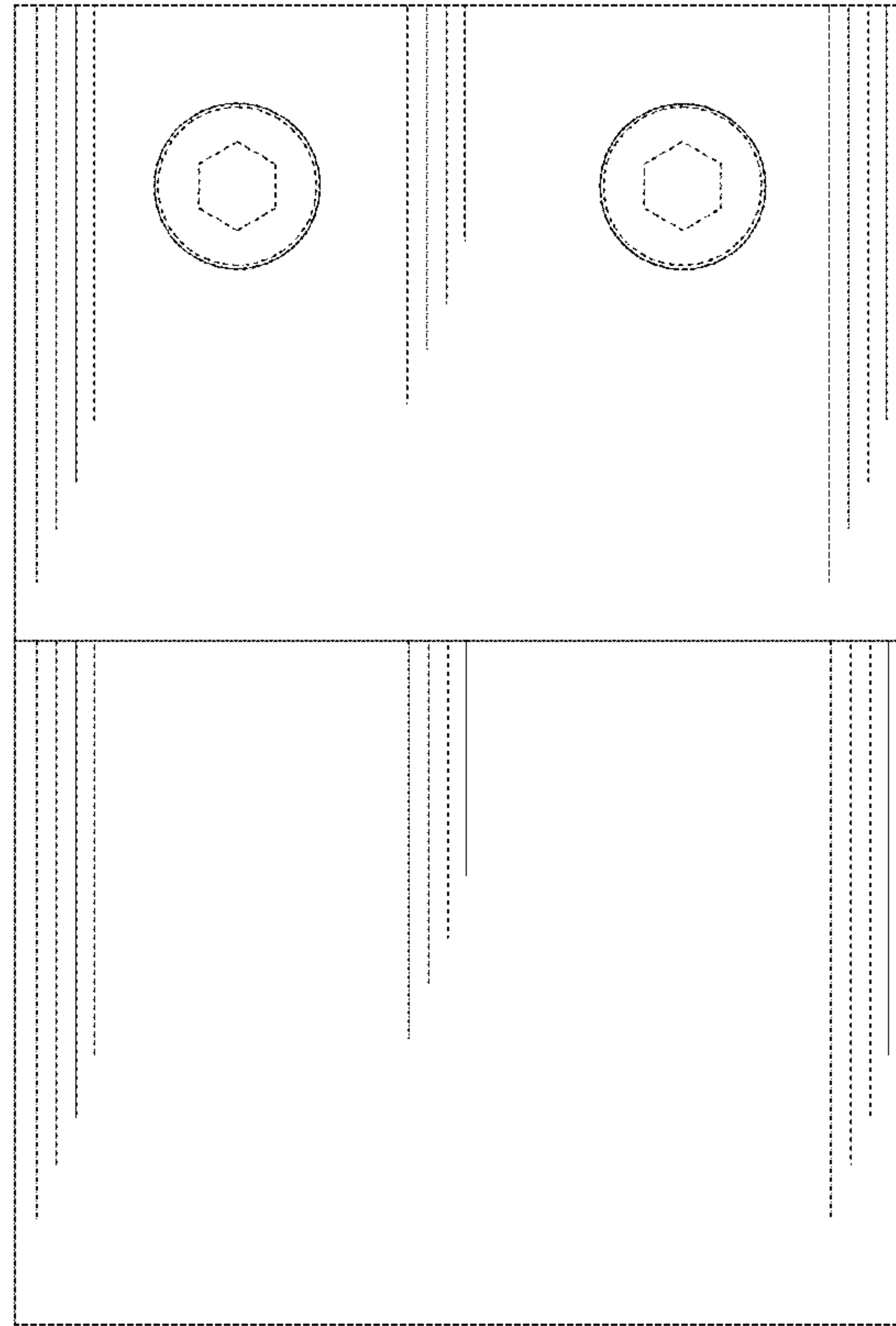


FIG. 6

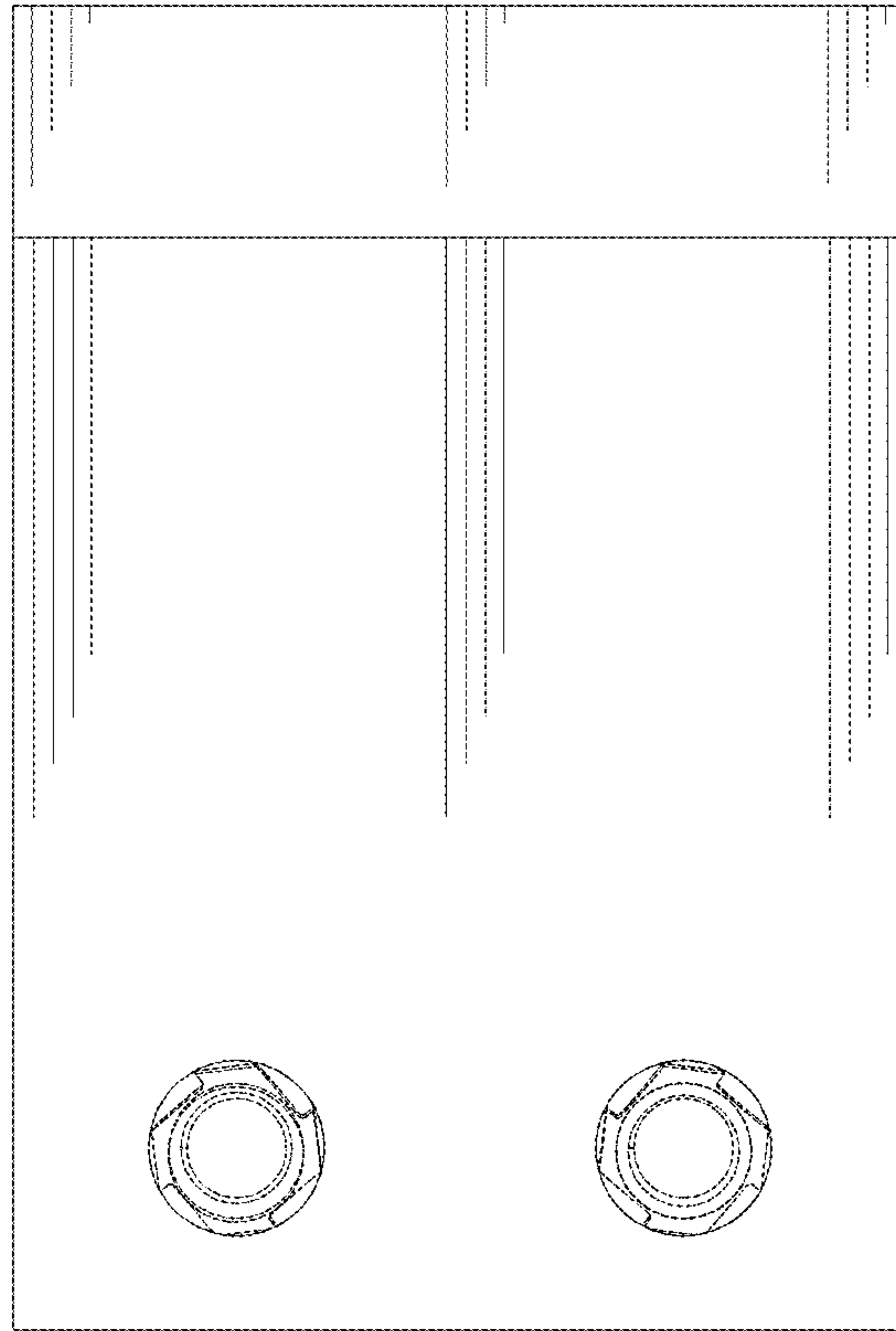


FIG. 7