



US00D761628S

(12) **United States Design Patent**  
**Chitayat et al.**

(10) **Patent No.:** **US D761,628 S**  
(45) **Date of Patent:** **\*\* Jul. 19, 2016**

(54) **COMBINED REAMER AND STACKABLE ICE TRAY**

(71) Applicant: **FC Brands Limited**, Central Hong Kong (HK)

(72) Inventors: **David Dennys Chitayat**, Shanghai (CN); **Heather Tomasetti Kauffman**, Brooklyn, NY (US); **Pieter Schouten**, Berkeley, CA (US)

(73) Assignee: **FC Brands Limited**, Central Hong Kong (HK)

(\*\*) Term: **14 Years**

(21) Appl. No.: **29/519,701**

(22) Filed: **Mar. 6, 2015**

(51) **LOC (10) Cl.** ..... **07-04**

(52) **U.S. Cl.**  
USPC ..... **D7/665**; D15/90

(58) **Field of Classification Search**  
USPC ..... D7/665, 666; D15/90  
CPC ..... A47J 19/022; A47J 43/14  
See application file for complete search history.

(56) **References Cited**

U.S. PATENT DOCUMENTS

3,794,088	A	2/1974	Harvey	
D251,404	S *	3/1979	Ackeret	D7/665
D251,405	S *	3/1979	Ackeret	D7/665
D272,232	S *	1/1984	Parmentier	D15/90
5,312,014	A	5/1994	Hamlin	
D365,911	S *	1/1996	Cassetti	D1/106
D444,480	S *	7/2001	Shultz, Jr.	D15/90
7,159,808	B2	1/2007	Starr	
7,530,510	B2	5/2009	Newman et al.	
2007/0272091	A1 *	11/2007	Hsien	A47J 19/022 99/501

OTHER PUBLICATIONS

“Lemon Drops—Citrus Ice Infuser Set”, [online] [retrieved on Jan. 7, 2016] Retrieved from <URL: <http://fullcirclehome.com/shop/hydrate/lemon-drops.html>>, 2 pages.

(Continued)

*Primary Examiner* — Terry Wallace

(74) *Attorney, Agent, or Firm* — Finch & Maloney PLLC

(57) **CLAIM**

The ornamental design for a combined reamer and stackable ice tray, as shown and described.

**DESCRIPTION**

FIG. 1 is a first perspective view of a combined reamer and stackable ice tray showing a first embodiment of our new design, wherein the first embodiment includes a reamer stacked on an ice tray;

FIG. 2 is a front elevation view of the first embodiment, the rear elevation view of the first embodiment being identical;

FIG. 3 is a right elevation view of the first embodiment, the left elevation view of the first embodiment being identical;

FIG. 4 is a top elevation view of the first embodiment;

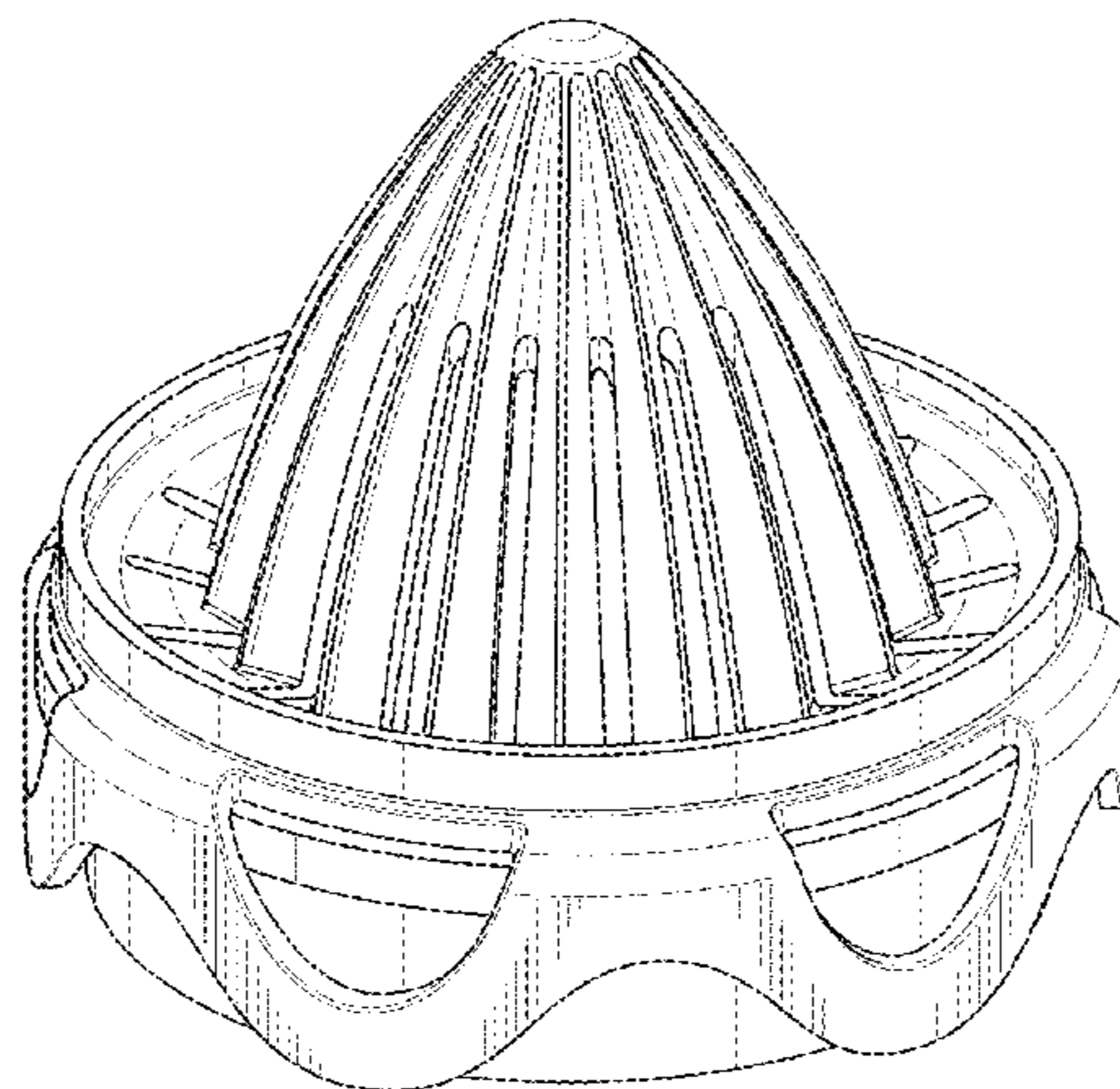
FIG. 5 is a bottom elevation view of the first embodiment;

FIG. 6 is a second perspective view of the first embodiment; and,

FIG. 7 is a perspective view of a combined reamer and stackable ice tray showing a second embodiment of our new design, wherein the second embodiment includes a first ice tray stacked on a second ice tray and a reamer stacked on the first ice tray.

Any surface or portion of our design not shown in the figures or otherwise described herein forms no part of the claimed design. The ice tray in the first embodiment is identical to the first and second ice trays in the second embodiment.

**1 Claim, 7 Drawing Sheets**



(56)

**References Cited**

OTHER PUBLICATIONS

“Prepara®Citrus Juicer,” [online] [retrieved on Dec. 16, 2014] Retrieved from < URL: <http://barsupplies.com/prepara®-citrus-juicer-p-14682.html?osCsid=oome69e9caoggdhiduedtt6vd6>>, 1 page.

“Kitchen Craft Grate & Store Stainless Steel Grater and Storage Tub Box Container,” [online] [retrieved on Dec. 16, 2014] Retrieved from < URL: <http://www.east2eden.co.uk/shop/product/4530/kitchen-craft-grate-store-stainless-steel-grater-and-storage-tub-box-container>>, 1 page.

\* cited by examiner

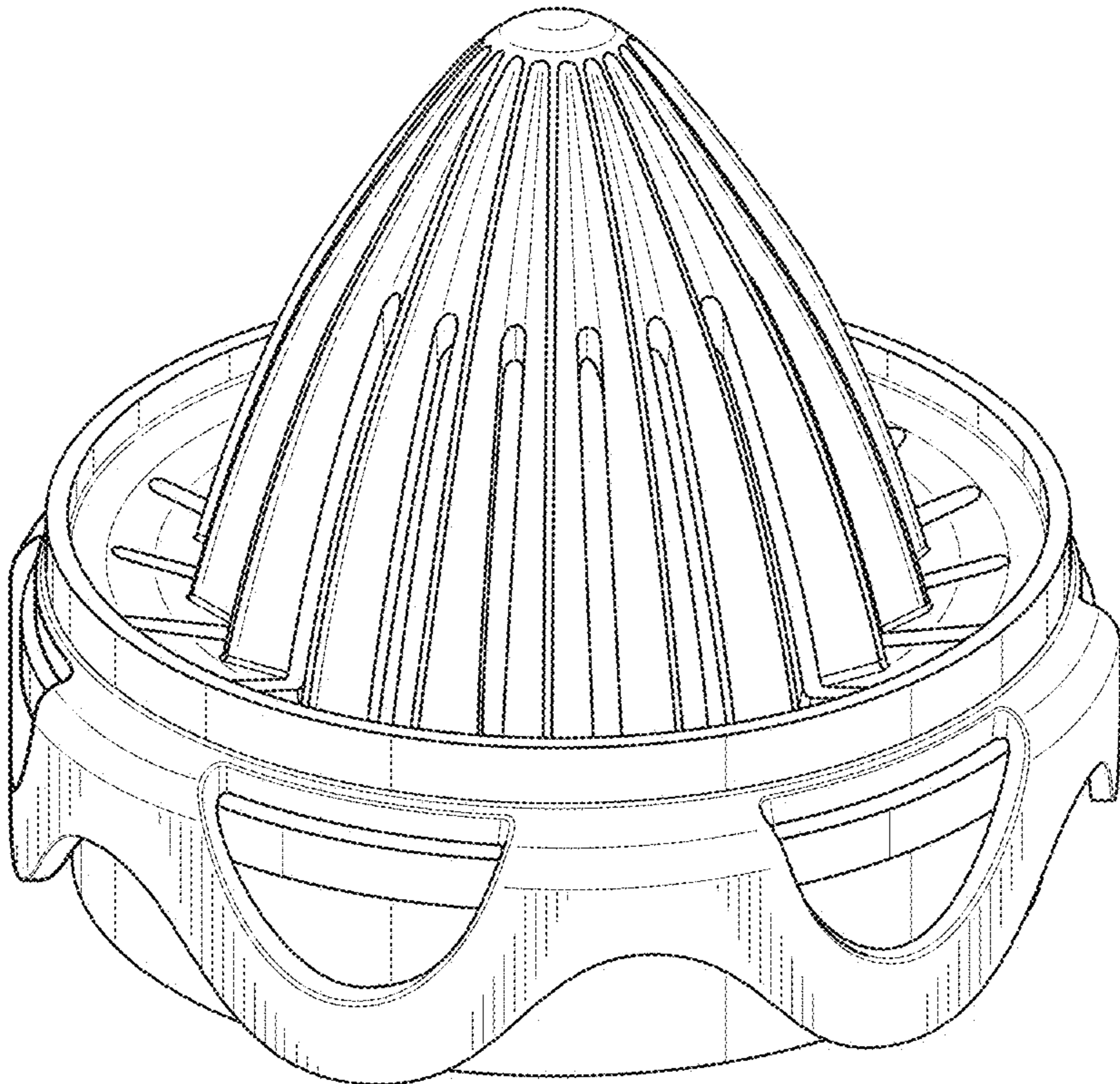


FIG. 1

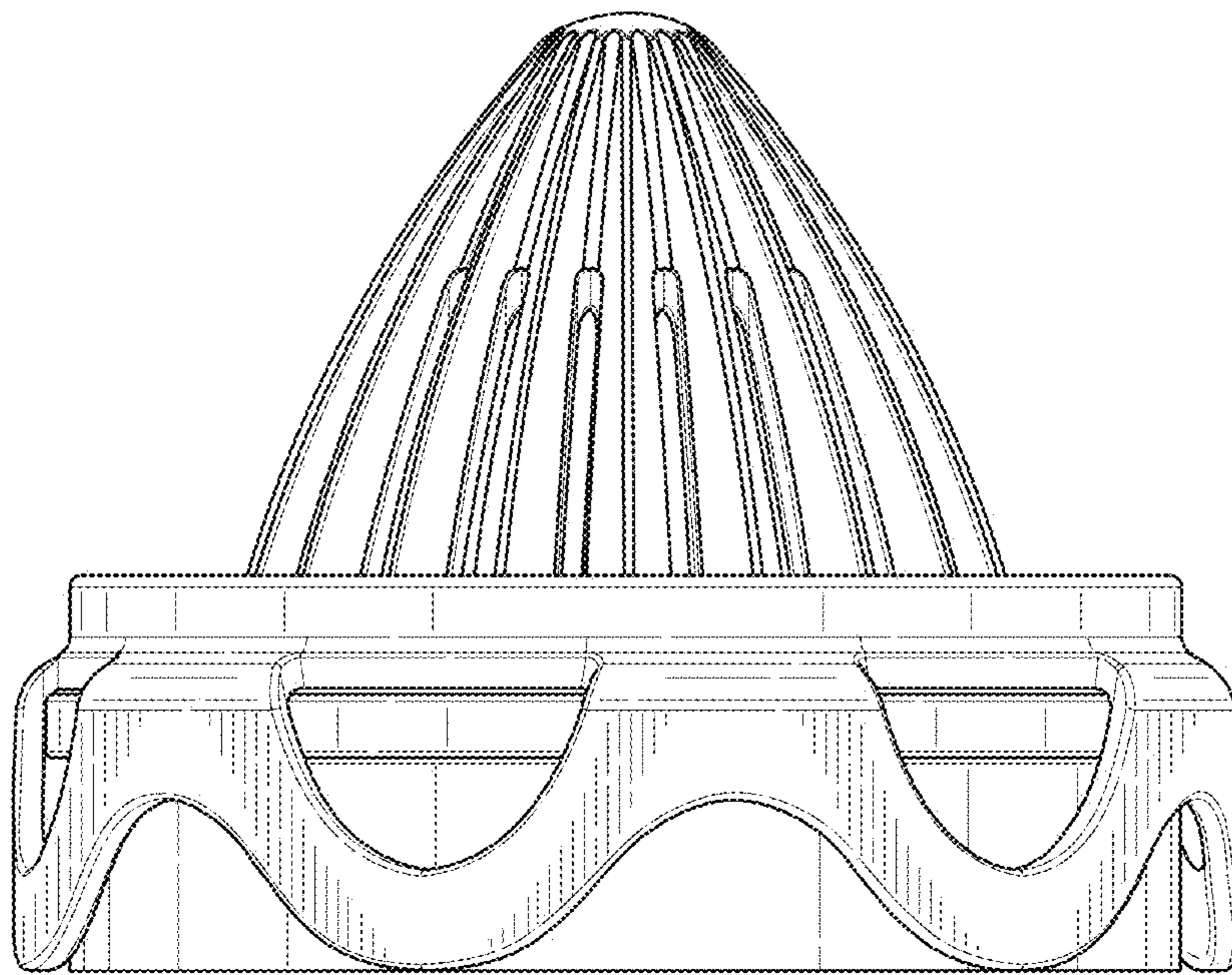


FIG. 2

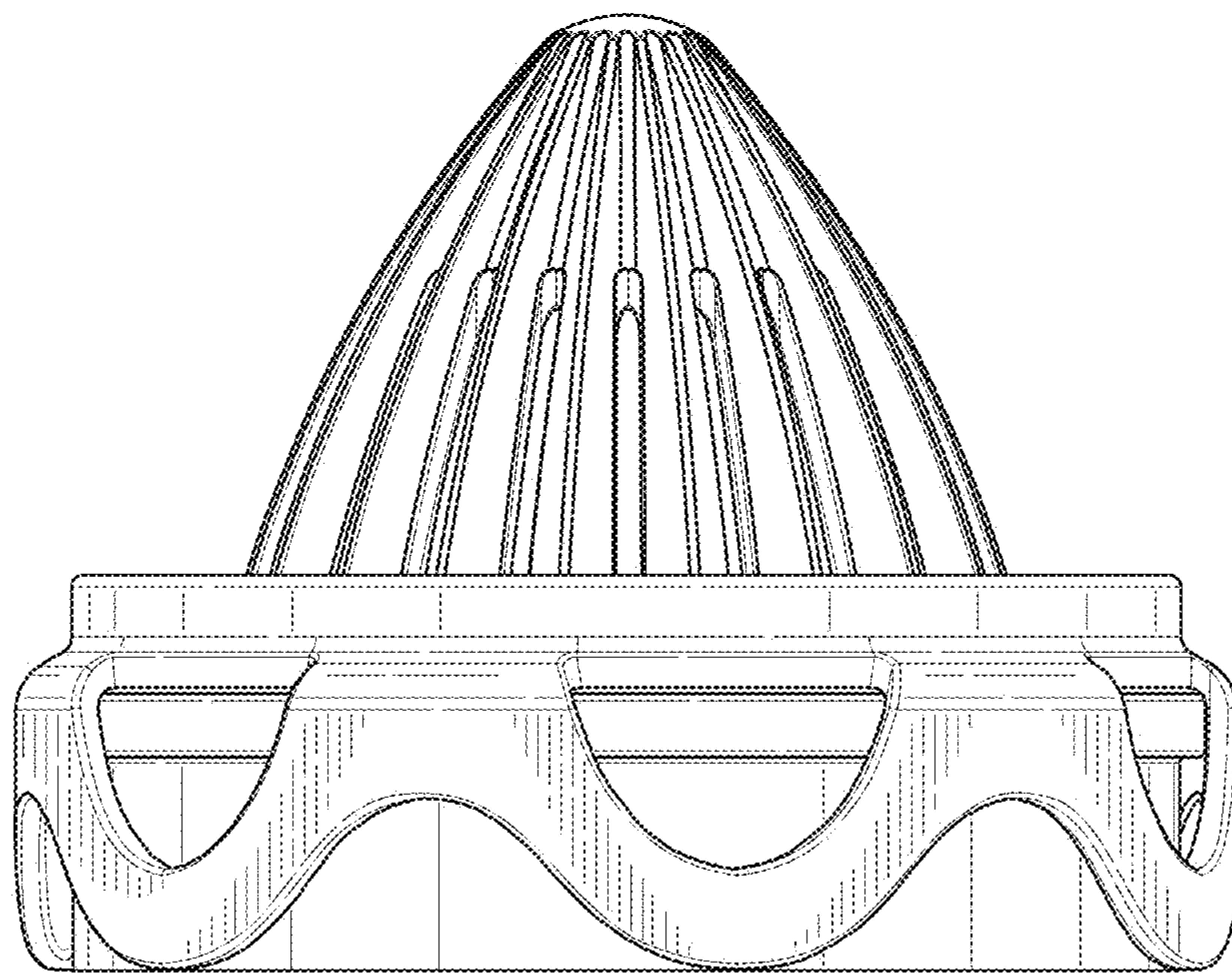


FIG. 3

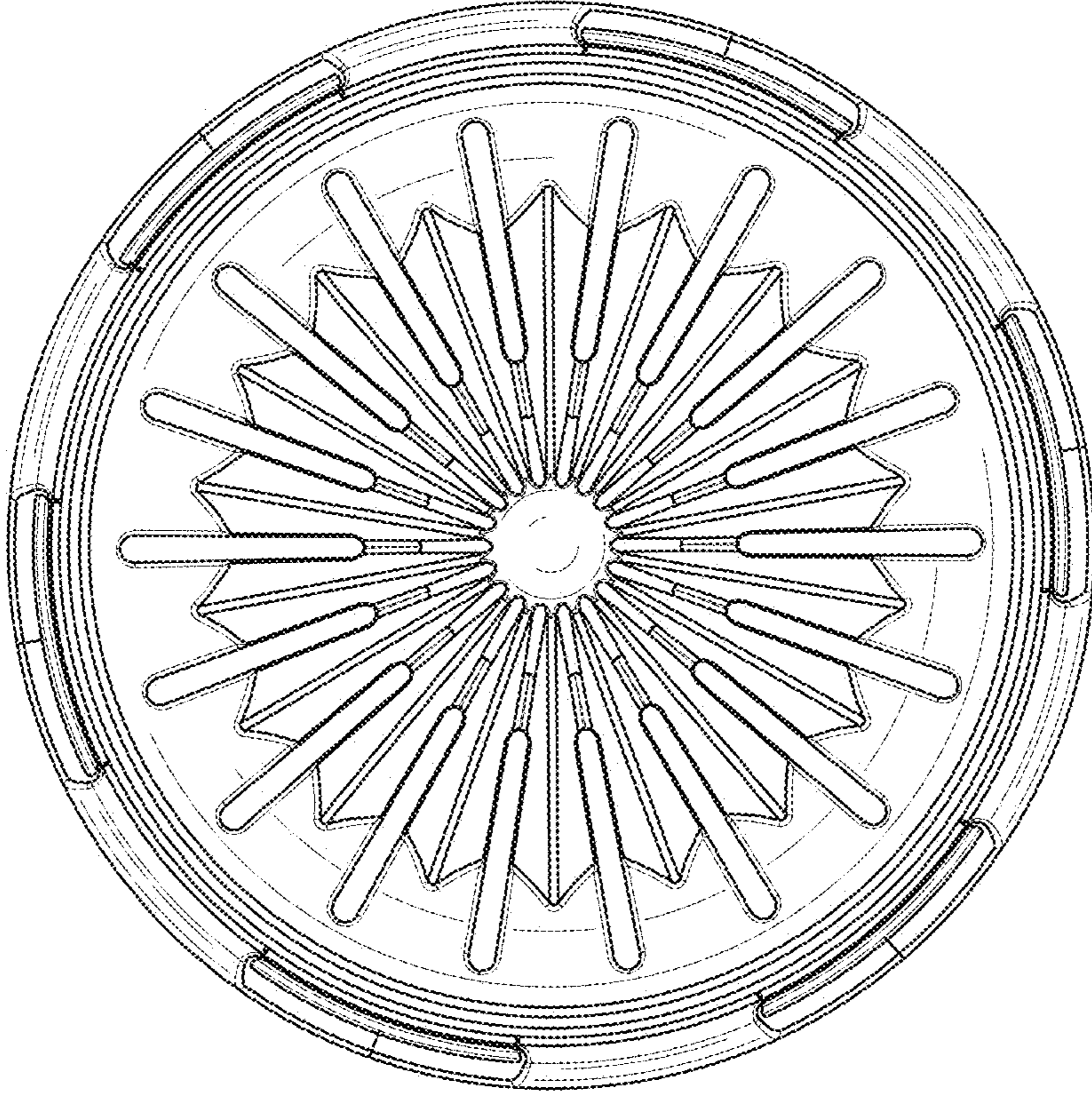


FIG. 4

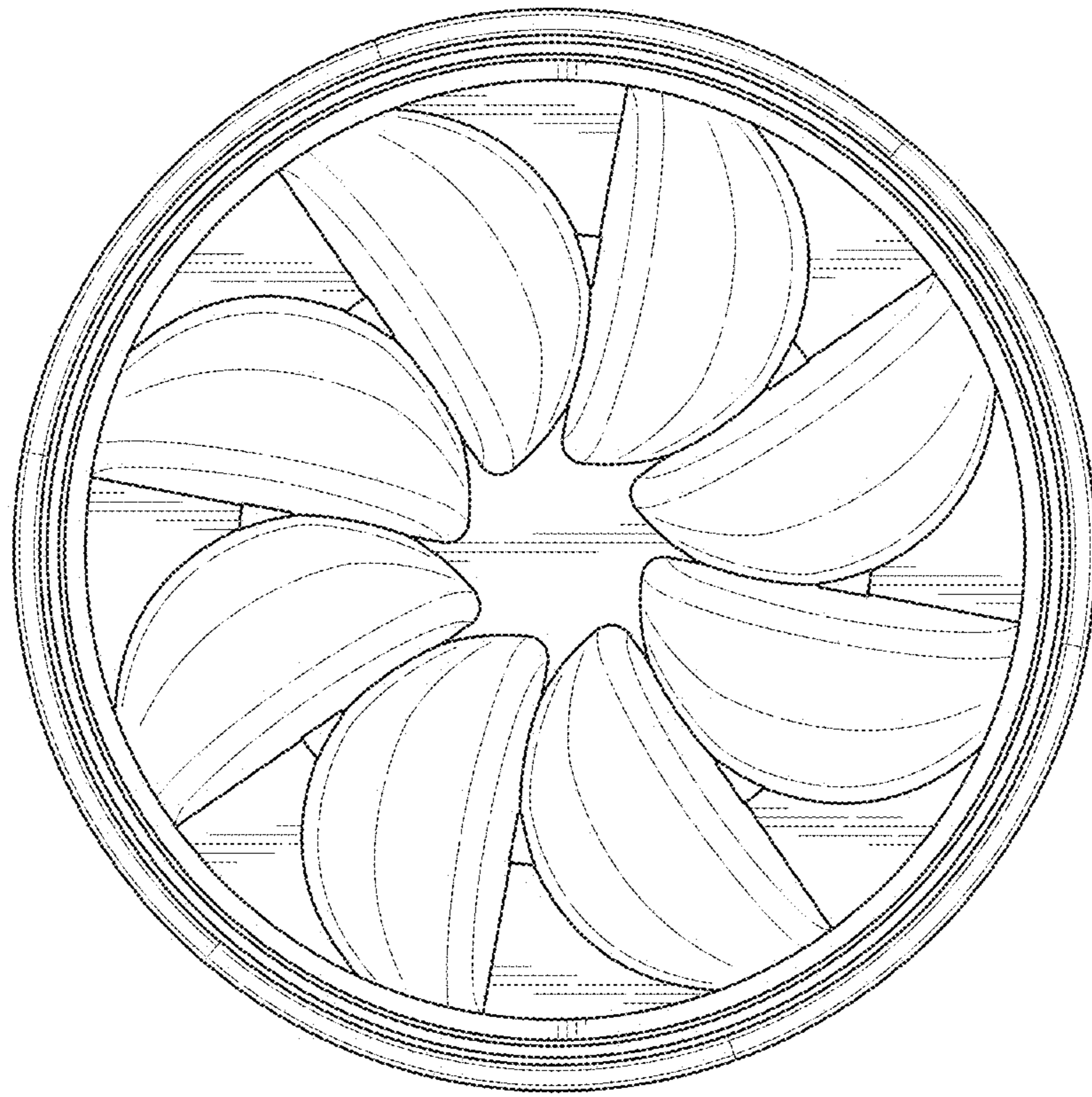


FIG. 5

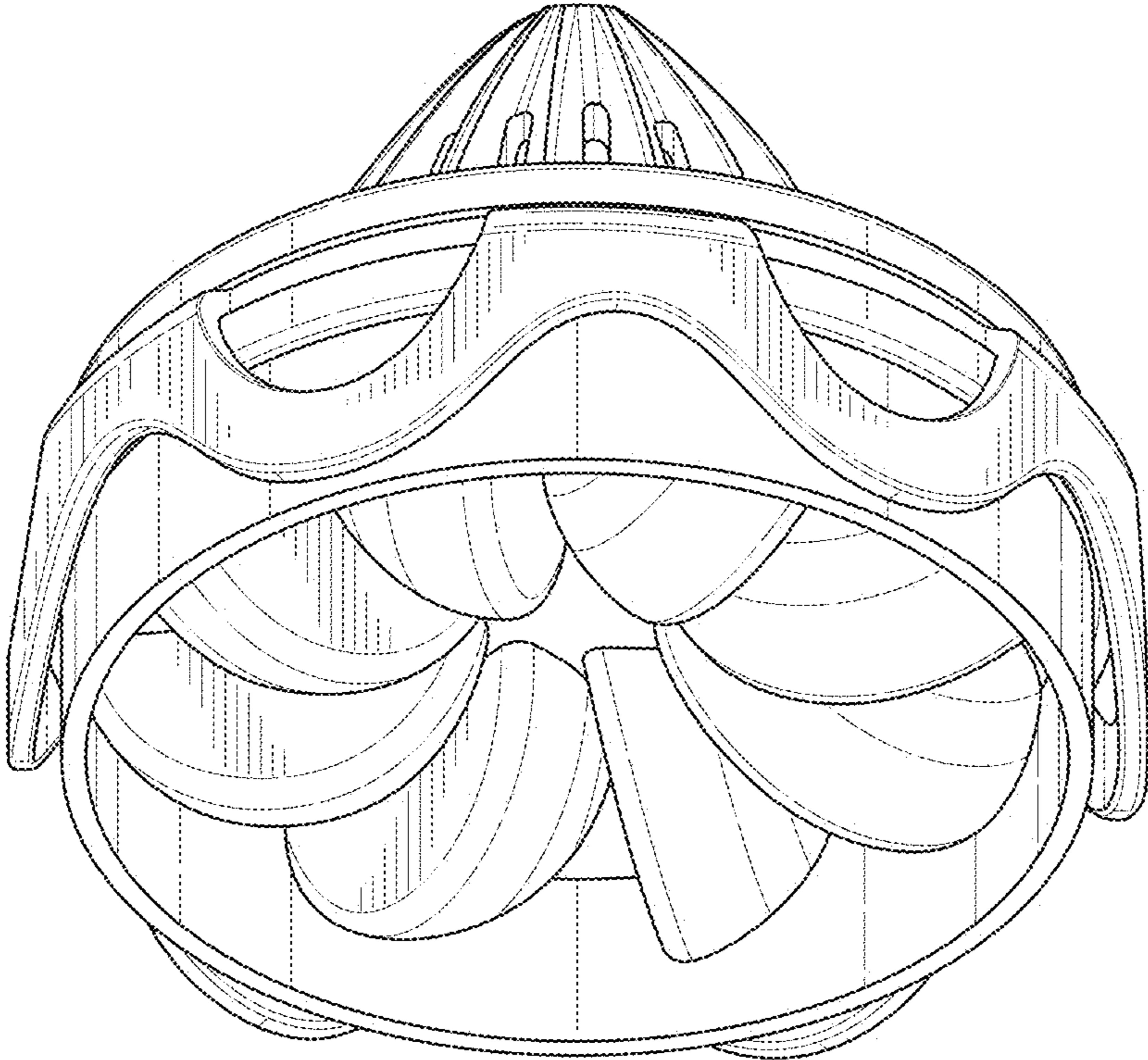


FIG. 6



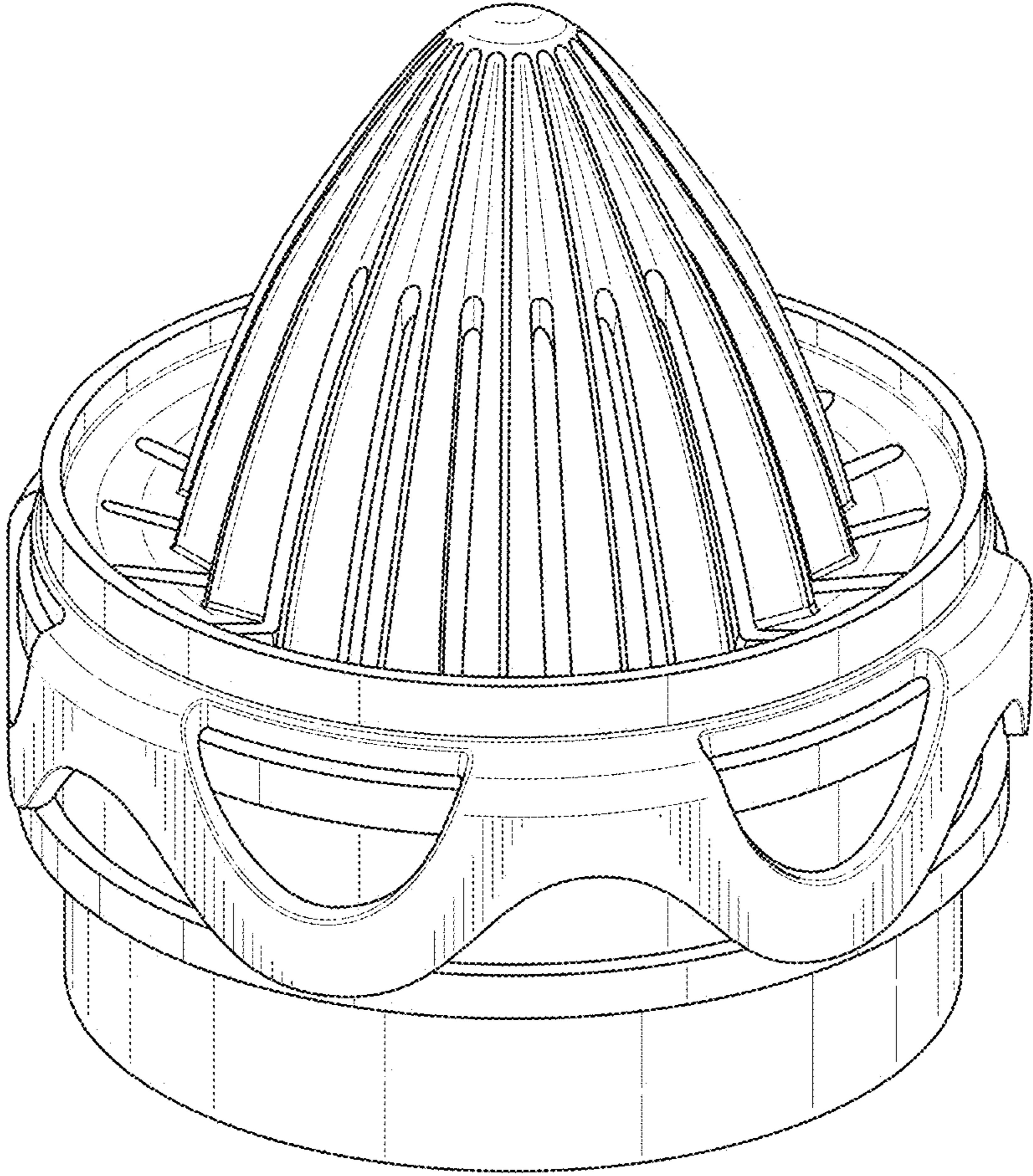


FIG. 7