



US00D761625S

(12) **United States Design Patent**  
**Engler et al.**

(10) **Patent No.:** **US D761,625 S**  
(45) **Date of Patent:** **\*\* Jul. 19, 2016**

(54) **TUMBLER**

(71) Applicant: **Boelter Brands, LLC**, Glendale, WI (US)

(72) Inventors: **Jeffrey Engler**, Janesville, WI (US); **Jay Wilcox**, Cedarburg, WI (US)

(73) Assignee: **Boelter Brands, LLC**, Glendale, WI (US)

(\*\*) Term: **14 Years**

(21) Appl. No.: **29/519,080**

(22) Filed: **Mar. 2, 2015**

(30) **Foreign Application Priority Data**

Oct. 22, 2014 (CN) ..... 2014 3 0401451

(51) **LOC (10) Cl.** ..... **07-01**

(52) **U.S. Cl.**  
USPC ..... **D7/536; D7/533; D7/394; D7/396.2**

(58) **Field of Classification Search**  
USPC ..... D7/507-520, 523, 532, 533, 534, 535, D7/536, 300, 310, 300.2, 608, 392.1, 589, D7/590, 313, 396.1, 394, 319, 396.2; 241/38; 220/259.3, 375; D9/600, 621, D9/622, 631, 614, 624, 616, 617  
CPC ..... A47G 19/2205; A47G 19/2227; A47G 23/03; A47J 41/0083; B60N 3/103  
See application file for complete search history.

(56) **References Cited**

**U.S. PATENT DOCUMENTS**

D4,707 S *	3/1871	Bird	.....	D7/514
D87,606 S *	8/1932	Thomas	.....	D7/535
D160,849 S *	11/1950	Foster	.....	D7/394
D195,092 S *	4/1963	Munson	.....	D7/394
D285,637 S *	9/1986	Zieff	.....	D7/536
D298,901 S *	12/1988	Shadyac	.....	D7/536
D307,089 S *	4/1990	Lage	.....	D7/536
D356,004 S *	3/1995	VanValkenburg	.....	D7/316

D388,281 S *	12/1997	Trombley	.....	D7/515
D397,912 S *	9/1998	Goessling, Jr.	.....	D7/532
D417,589 S *	12/1999	Parker	.....	D7/510
D423,877 S *	5/2000	Kerr	.....	D7/503
D440,815 S *	4/2001	Freed	.....	D7/394
D454,033 S *	3/2002	Miller	.....	D7/514
RE37,773 E *	7/2002	Trombley	.....	A47G 19/2227 D7/511
D486,697 S *	2/2004	Copeland	.....	D7/536
D488,029 S *	4/2004	Bodum	.....	D7/533
D490,274 S *	5/2004	Irvine	.....	D7/523
D508,576 S *	8/2005	Brady	.....	D26/26
D524,602 S *	7/2006	Arduini	.....	D7/523
D544,300 S *	6/2007	Tien	.....	D7/510
D563,725 S *	3/2008	Alviar	.....	D7/509
D564,300 S *	3/2008	Liu	.....	D7/510
D721,924 S *	2/2015	Trafton	.....	D7/507
D730,696 S *	6/2015	Nemeth	.....	D7/523

\* cited by examiner

*Primary Examiner* — Marianne Pandozzi

*Assistant Examiner* — Jae Liang

(74) *Attorney, Agent, or Firm* — Quarles & Brady LLP

(57) **CLAIM**

The ornamental design for a tumbler, as shown and described.

**DESCRIPTION**

FIG. 1 is a top, left perspective view of a tumbler showing our new design;

FIG. 2 is a front elevational view thereof;

FIG. 3 is a right side elevational view thereof;

FIG. 4 is a rear elevational view thereof;

FIG. 5 is a left side elevational view thereof;

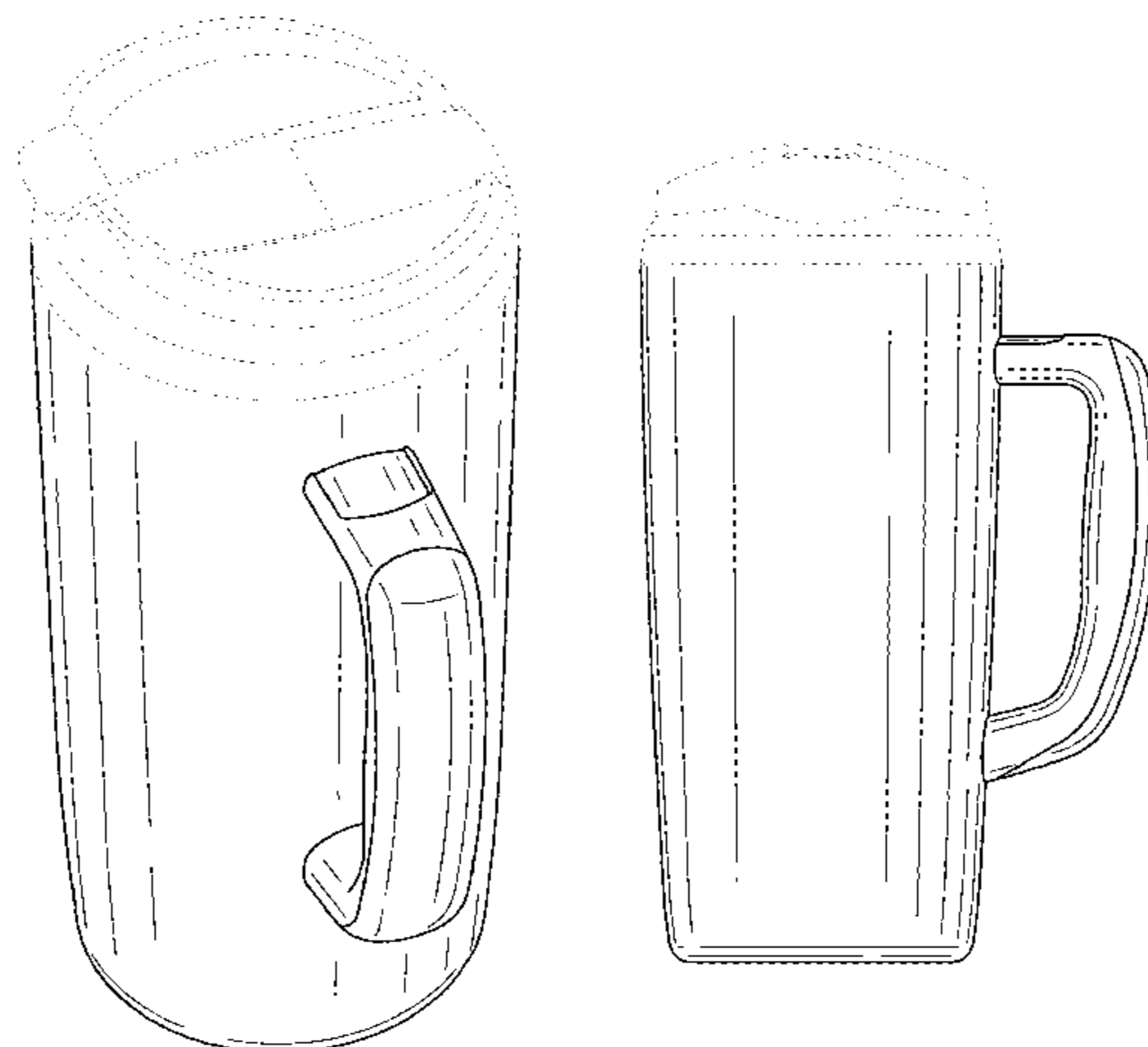
FIG. 6 is a top plan view thereof; and,

FIG. 7 is a bottom plan view thereof.

The broken lines in the drawing depict portions of the tumbler that form no part of the claimed design. The dot-dash lines depict boundary between claimed subject matter and unclaimed subject matter and form no part of the claimed design.

In a preferred embodiment, the nature of this product is a drinking container.

**1 Claim, 4 Drawing Sheets**



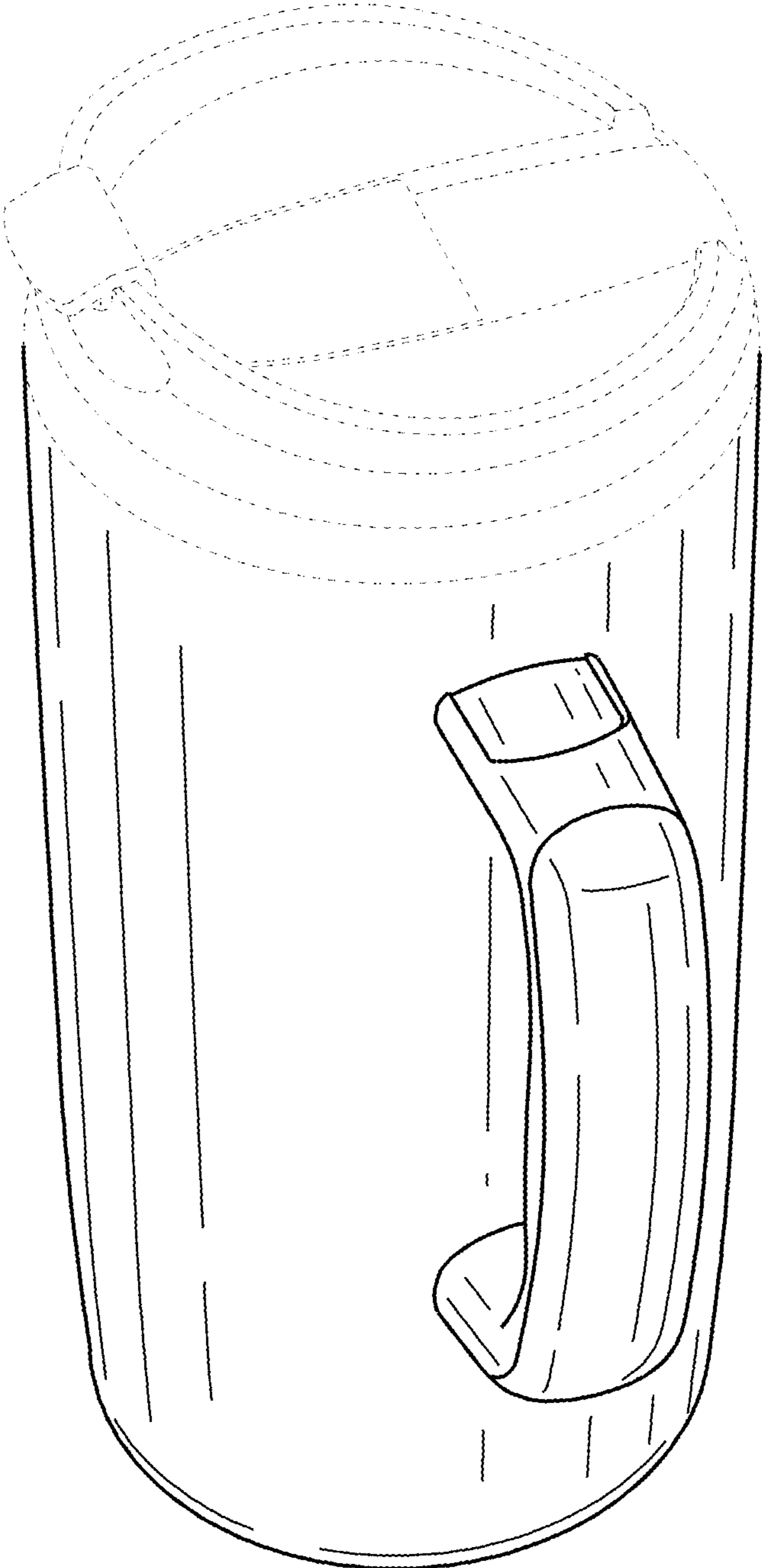


FIG. 1

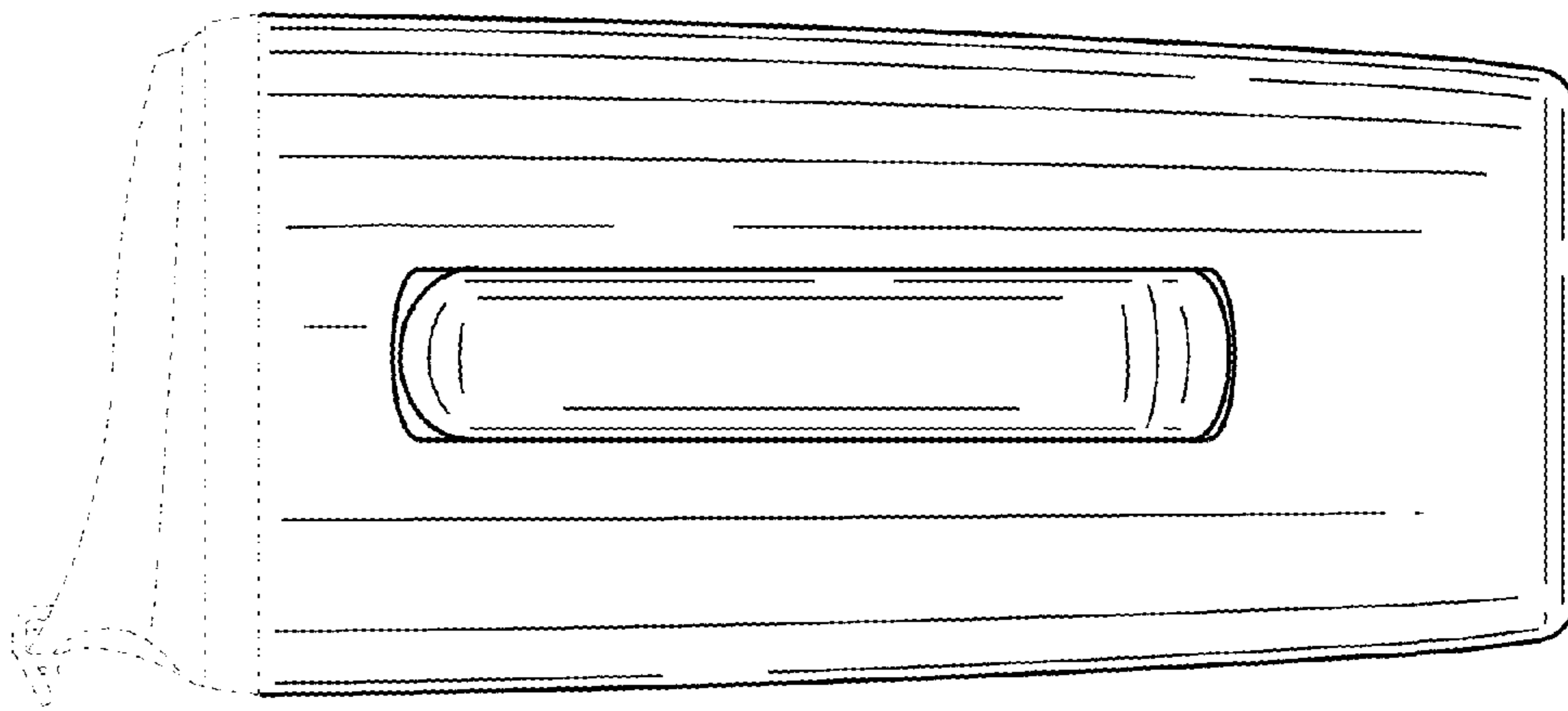


FIG. 3

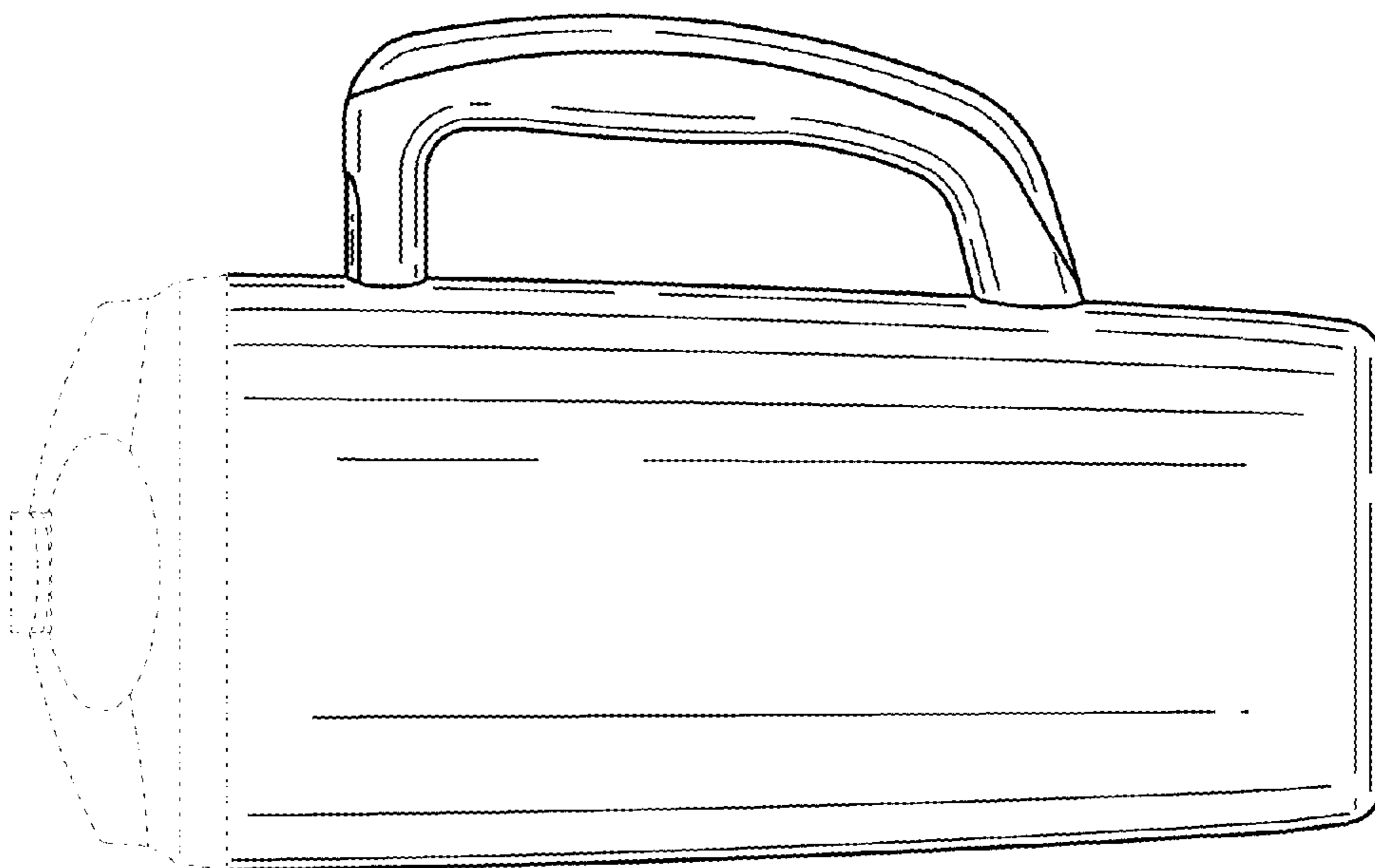


FIG. 2

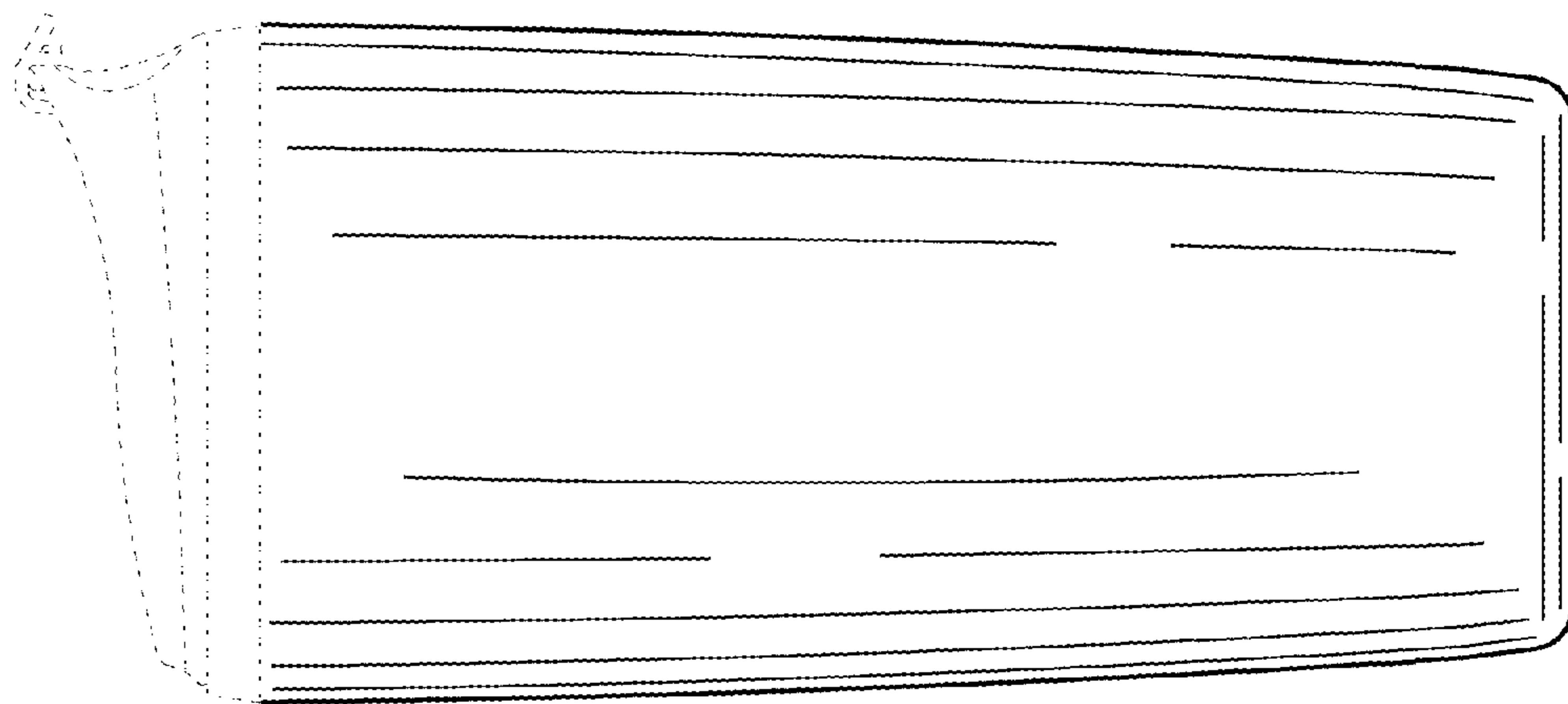


FIG. 5

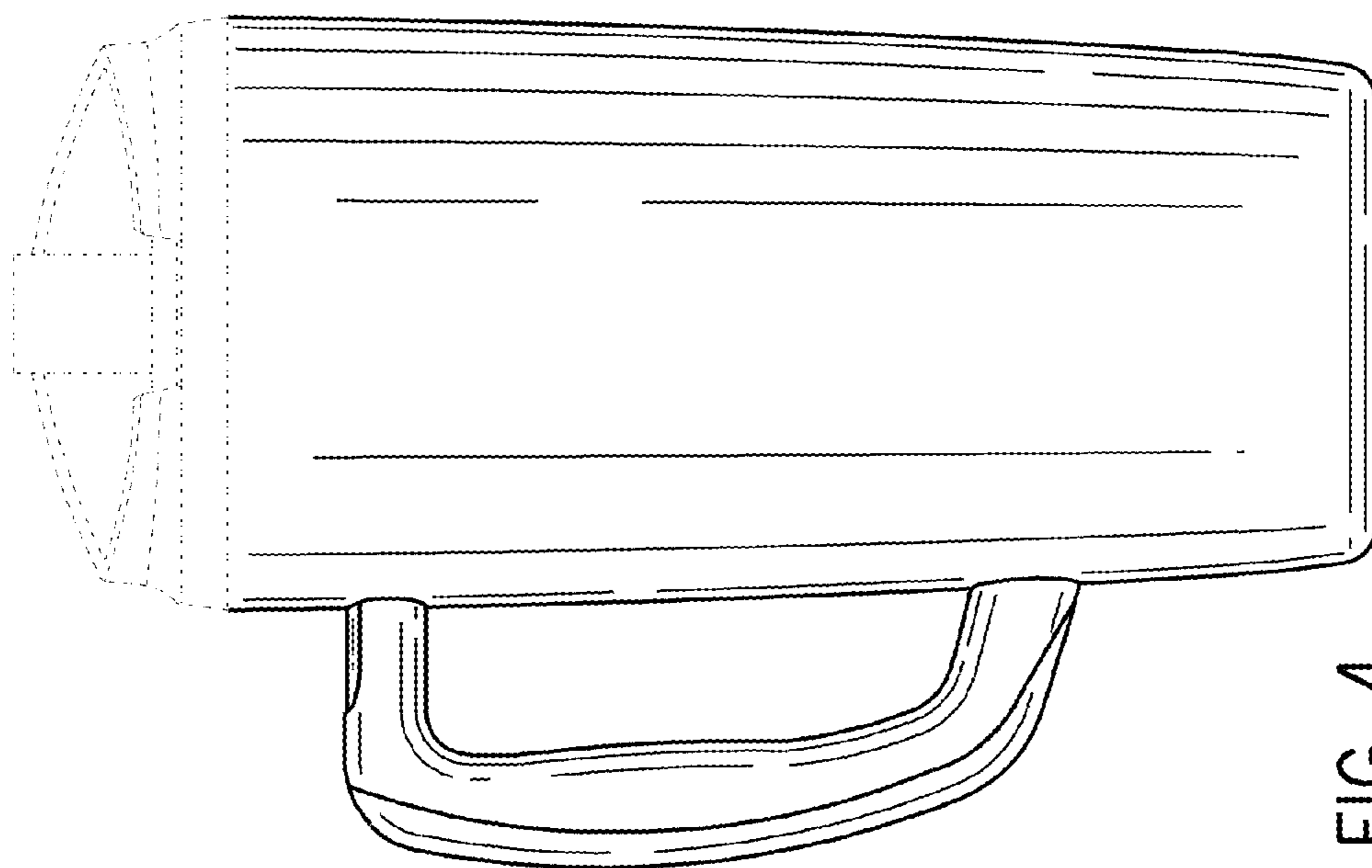


FIG. 4

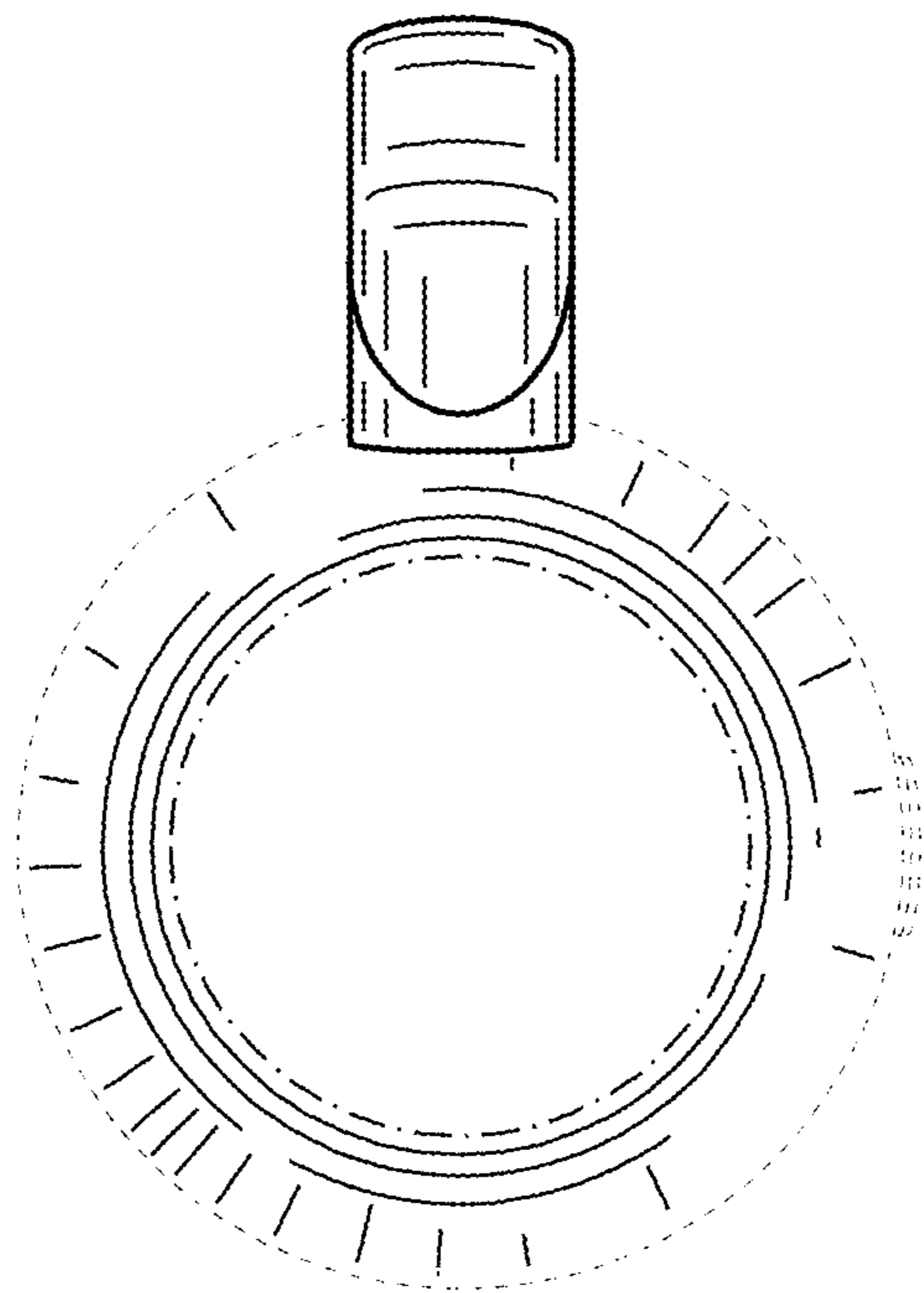


FIG. 6

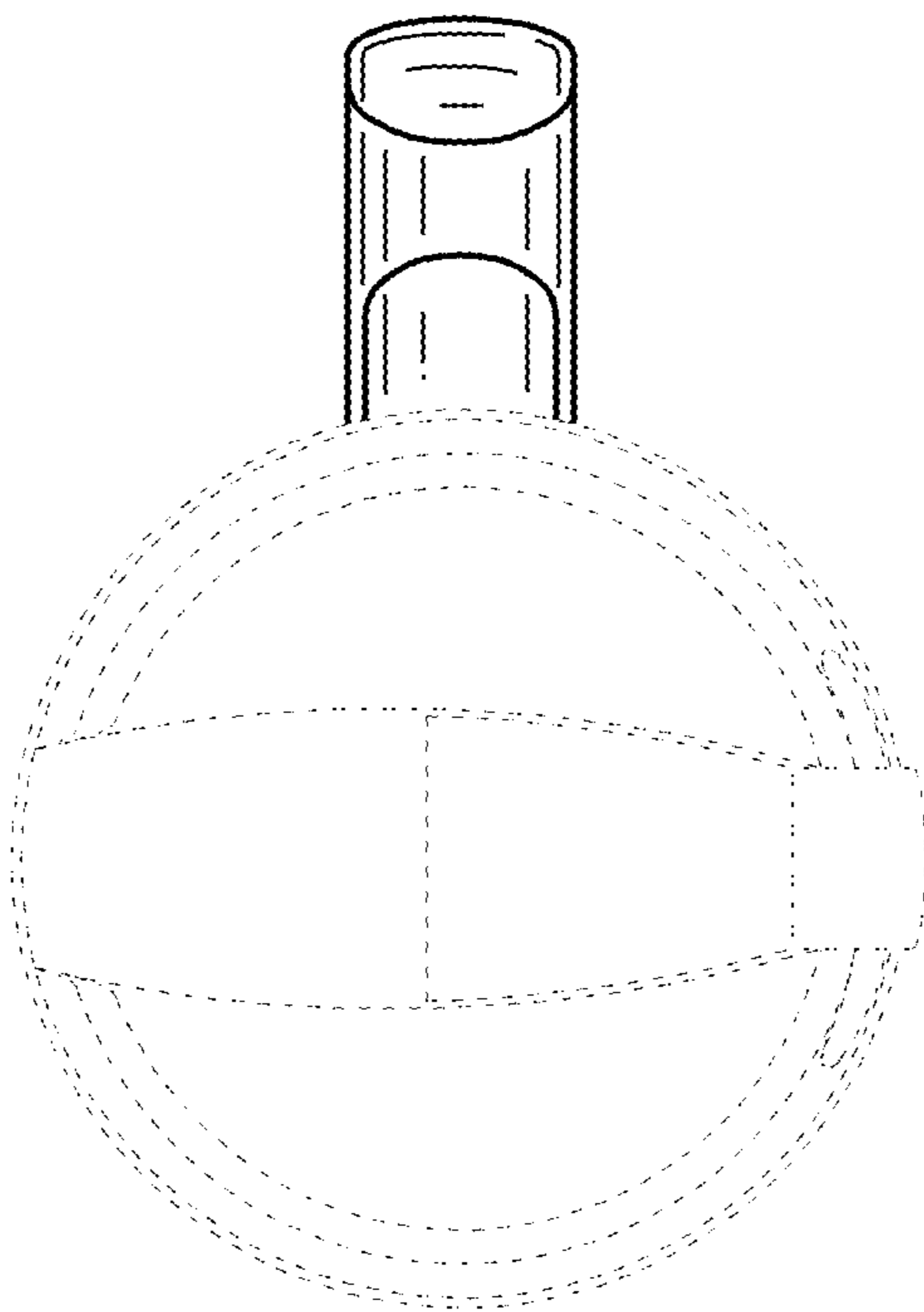


FIG. 7