



US00D761622S

(12) **United States Design Patent**
Kushner

(10) **Patent No.:** **US D761,622 S**
(45) **Date of Patent:** **** Jul. 19, 2016**

(54) **HAMMER SHOT GLASS**

(71) Applicant: **Robert Kushner**, Pok Fu Lam (HK)

(72) Inventor: **Robert Kushner**, Pok Fu Lam (HK)

(73) Assignee: **URBAN TREND LLC**, Newport Beach, CA (US)

(**) Term: **14 Years**

(21) Appl. No.: **29/474,735**

(22) Filed: **Jan. 19, 2015**

(51) **LOC (10) Cl.** **07-01**

(52) **U.S. Cl.**
USPC **D7/507; D7/514; D7/515; D21/300**

(58) **Field of Classification Search**
USPC D7/507, 509, 510, 511, 512, 514, 515, D7/505, 523, 524, 525, 526, 527, 528, 529, D7/530, 531, 532, 537, 300.2, 598, 213, D7/392.1, 396.1, 518, 519, 522; D21/310, D21/325, 300, 312, 322, 323; D28/24, 25, D28/65, 67; D11/143, 144, 153; 220/703, 220/705, 710; 239/24, 33; D9/436, 440, D9/447

CPC A47G 19/22; A47G 19/2205; A47G 19/2211; A47G 19/2216; A47G 19/2222; A47G 19/2227; B65D 1/265; B65D 47/066

See application file for complete search history.

(56) **References Cited**

U.S. PATENT DOCUMENTS

2,895,452 A *	7/1959	Angeloff	B24D 15/00 30/455
4,319,751 A *	3/1982	Kurushima	A63H 13/06 273/440.1
4,726,553 A *	2/1988	Wischusen, III ...	A47G 23/0216 215/393
D457,782 S *	5/2002	Snell	D7/396.2
6,562,270 B1 *	5/2003	Gannon	A47G 23/0216 220/628

* cited by examiner

Primary Examiner — Marianne Pandozzi

Assistant Examiner — Jae Liang

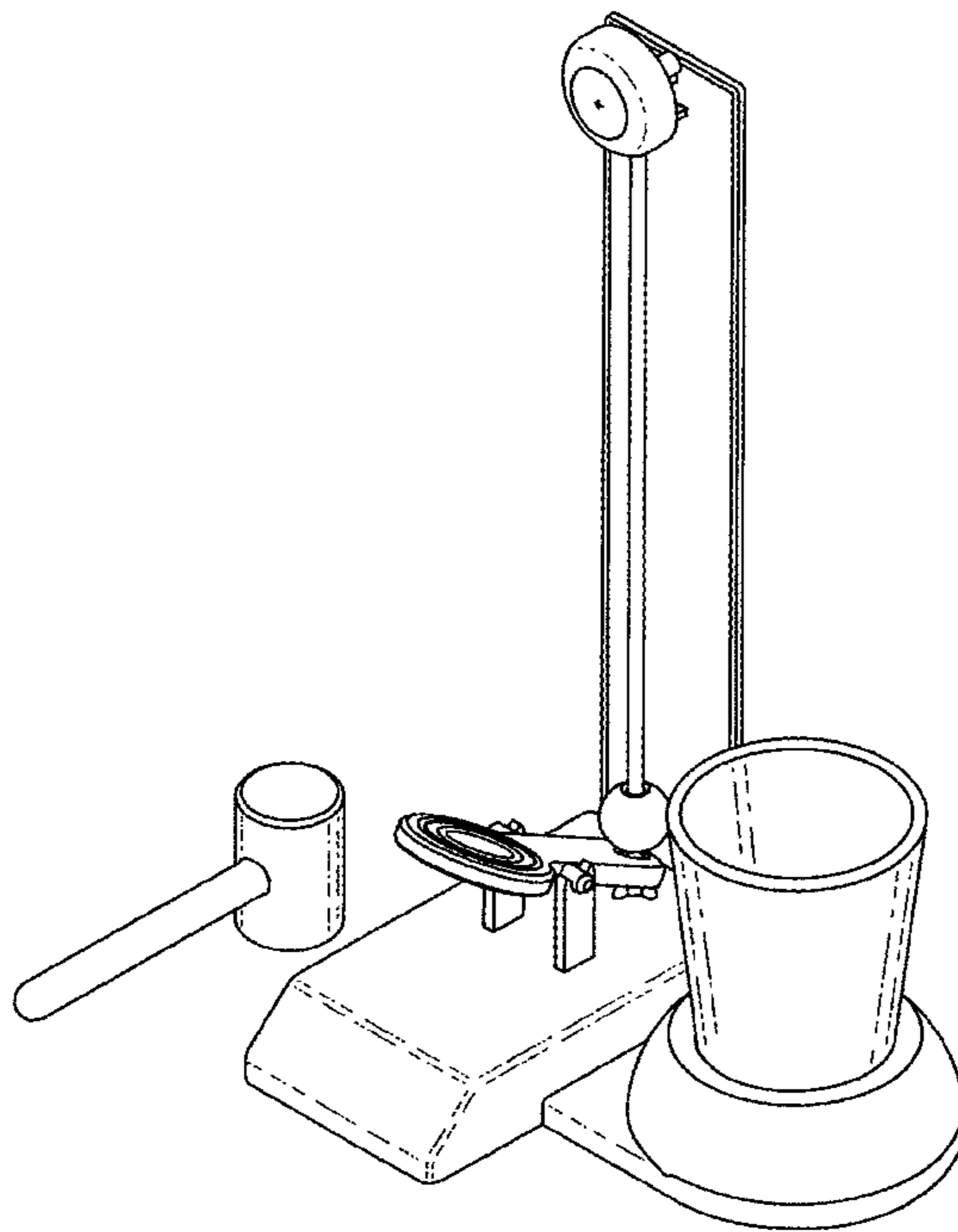
(57) **CLAIM**

The ornamental design for a hammer shot glass, as shown and described.

DESCRIPTION

FIG. 1 is a front, top and right side perspective view of a hammer shot glass showing my new design; FIG. 2 is a front view of FIG. 1; FIG. 3 is a rear view of FIG. 1; FIG. 4 is a right side view of FIG. 1; FIG. 5 is a left side view of FIG. 1; FIG. 6 is a top view of FIG. 1; and, FIG. 7 is a bottom view of FIG. 1.

1 Claim, 6 Drawing Sheets



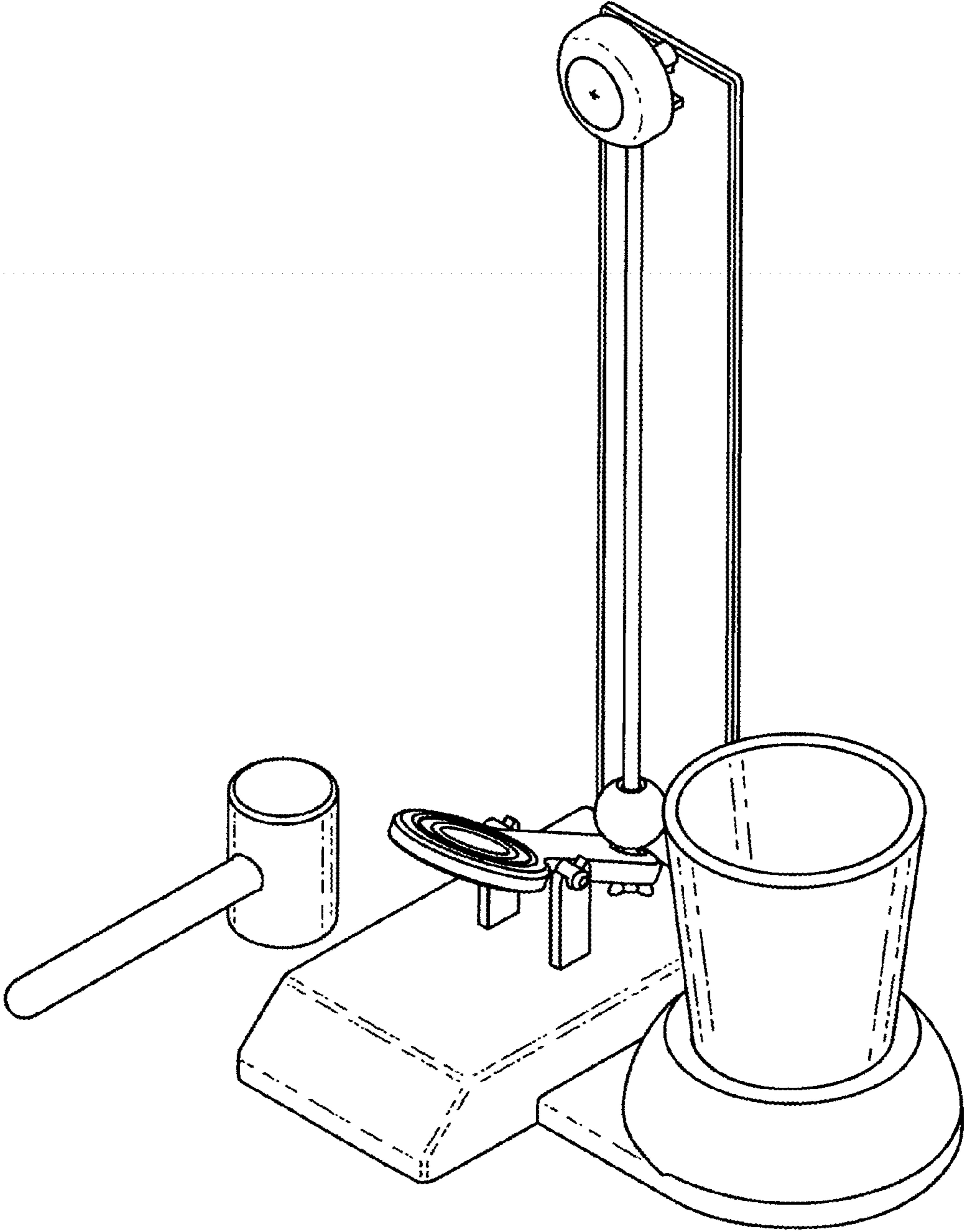


Fig. 1

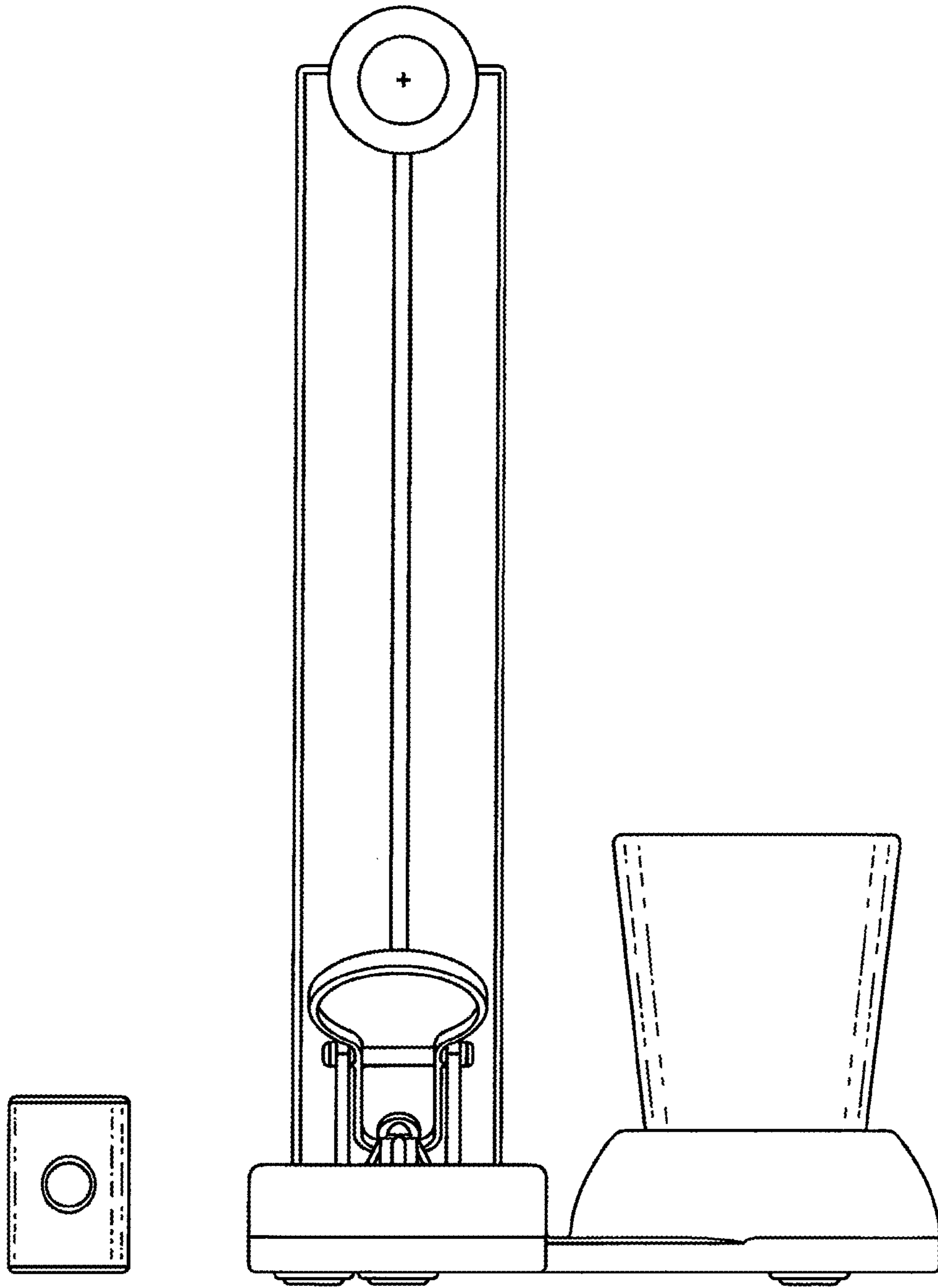


Fig. 2

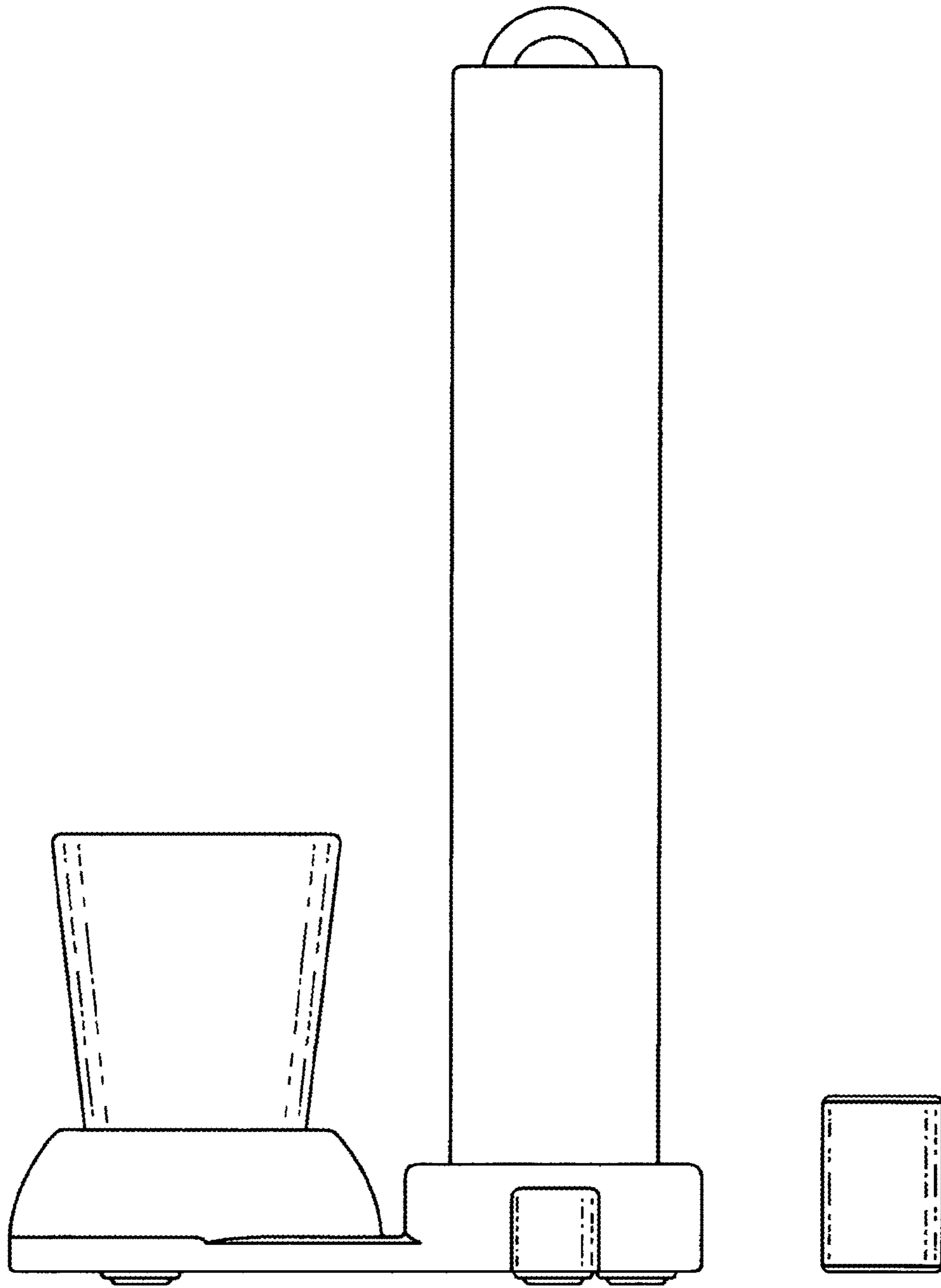


Fig. 3

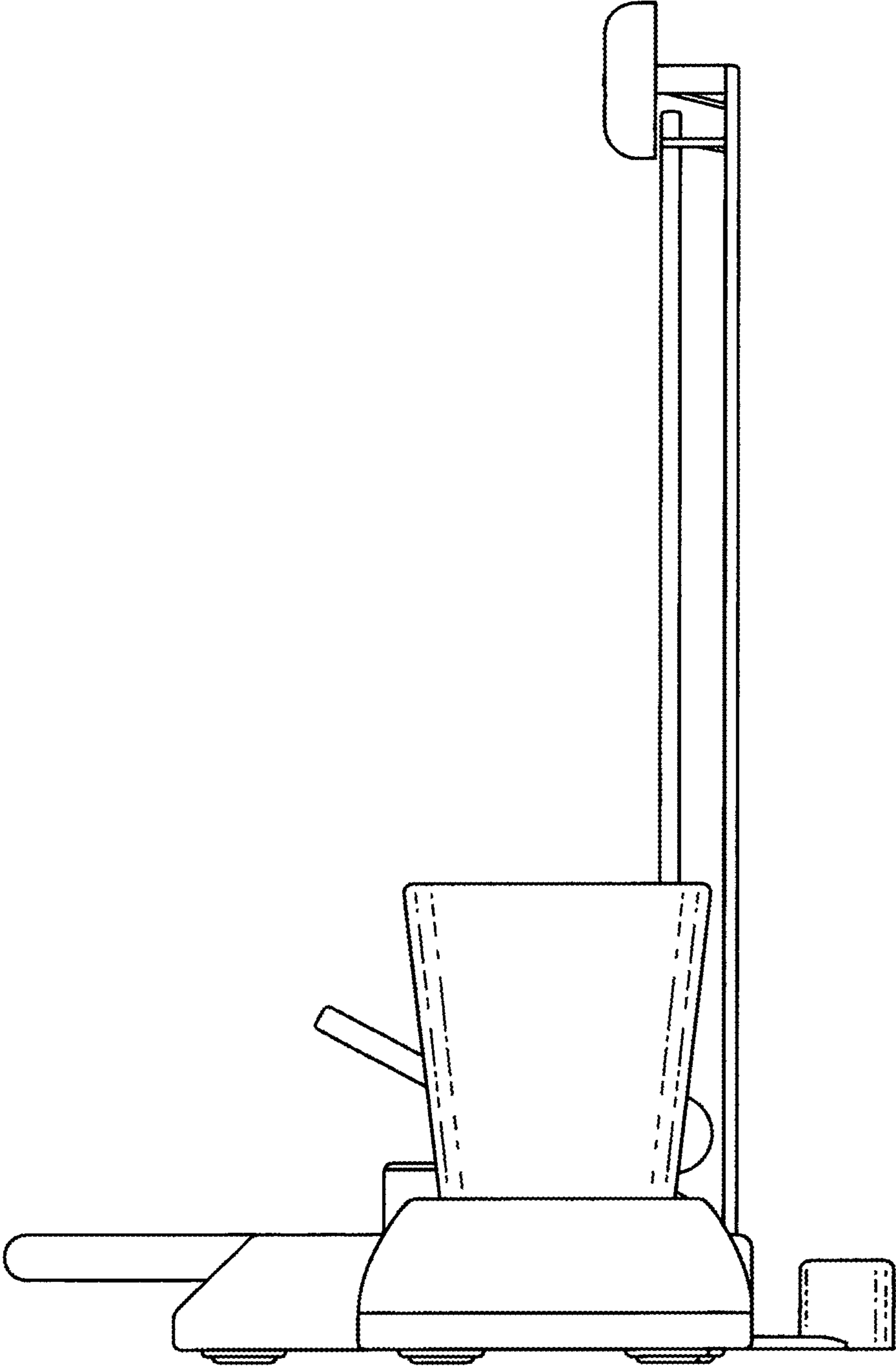


Fig. 4

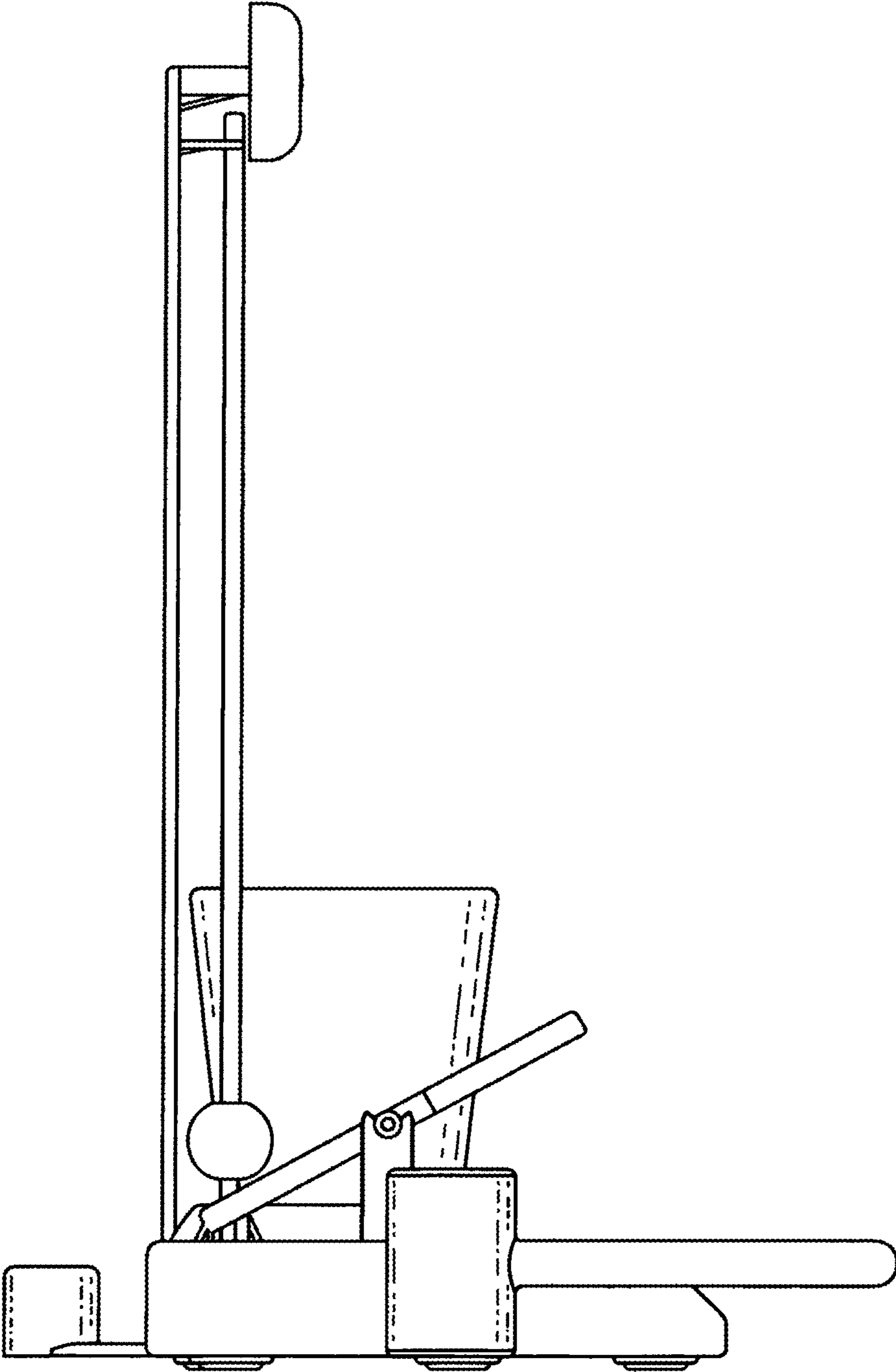


Fig. 5

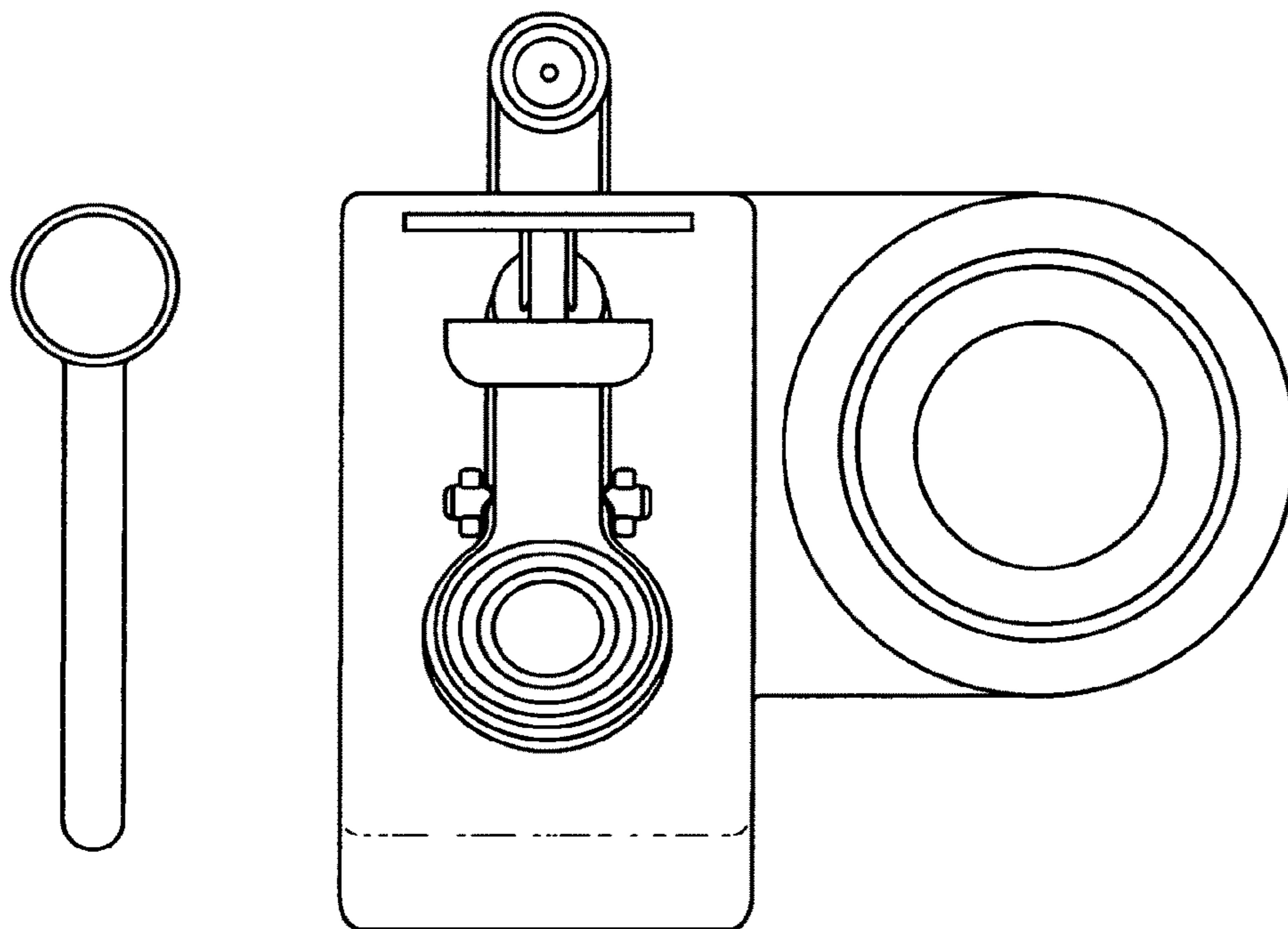


Fig. 6

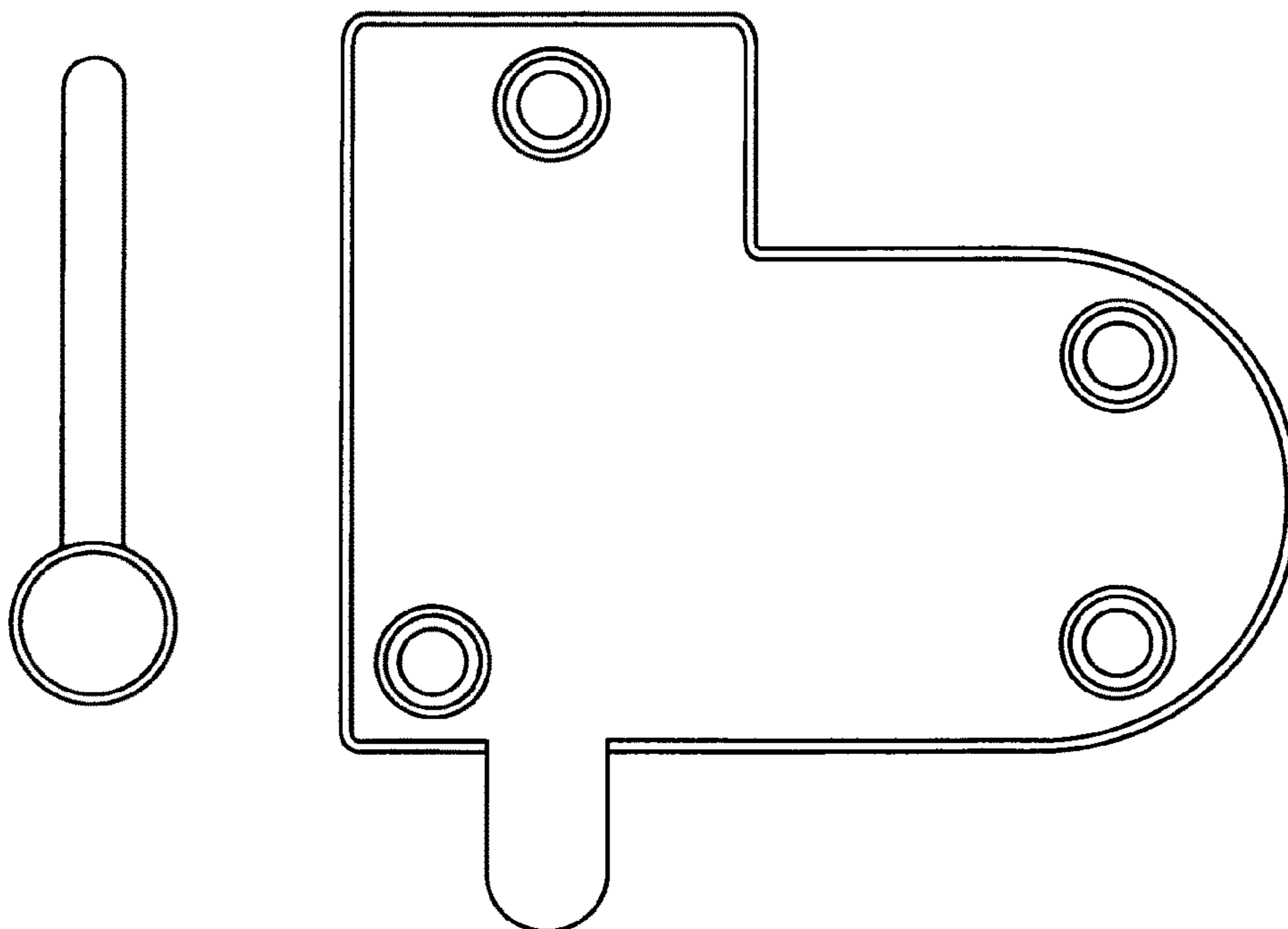


Fig. 7