



US00D761620S

(12) **United States Design Patent**
Kim et al.

(10) **Patent No.:** **US D761,620 S**
(45) **Date of Patent:** **** Jul. 19, 2016**

- (54) **MICROWAVE OVEN**
- (71) Applicant: **LG ELECTRONICS INC.**, Seoul (KR)
- (72) Inventors: **Soo Yeon Kim**, Seoul (KR); **Han Jin Jung**, Seoul (KR); **Song Yi Han**, Seoul (KR); **In Hwan Ryu**, Seoul (KR)
- (73) Assignee: **LG ELECTRONICS INC.**, Seoul (KR)
- (**) Term: **14 Years**
- (21) Appl. No.: **29/525,212**
- (22) Filed: **Apr. 28, 2015**

- D535,516 S * 1/2007 Lee D7/351
- D540,108 S * 4/2007 Kim D7/351
- D646,111 S * 10/2011 Kim D7/348
- D651,036 S * 12/2011 Kim D7/349
- D653,071 S * 1/2012 Kim D7/349
- D669,298 S * 10/2012 Tonon D7/350.1
- D708,469 S * 7/2014 Kim D7/351

* cited by examiner

Primary Examiner — Sheryl Lane
Assistant Examiner — Nicole Shiflet
(74) *Attorney, Agent, or Firm* — Birch, Stewart, Kolasch & Birch, LLP

- (30) **Foreign Application Priority Data**
- Nov. 13, 2014 (KR) 30-2014-0054710
- (51) **LOC (10) Cl.** **07-02**
- (52) **U.S. Cl.**
USPC **D7/405**
- (58) **Field of Classification Search**
USPC D7/402, 403–408, 351, 350.4,
D7/350.1–350.3, 323, 339–340, 346–349
CPC H05B 6/763; H05B 6/6414; H05B 6/6408;
Y02B 40/14; Y02B 40/143; Y02B 40/146;
F24C 15/02; F24C 1/00; F24C 14/00; F24C
3/00; F24C 5/00; F24C 7/00
See application file for complete search history.

(57) **CLAIM**
We claim the ornamental design for a microwave oven, as shown and described.

DESCRIPTION

FIG. 1 is a perspective view of a microwave oven showing our new design;
FIG. 2 is a front elevation view thereof;
FIG. 3 is a rear elevation view thereof;
FIG. 4 is a left-side elevation view thereof;
FIG. 5 is a right-side elevation view thereof;
FIG. 6 is a top plan view thereof;
FIG. 7 is a bottom plan view thereof; and,
FIG. 8 is a perspective view of a microwave oven, showing a second embodiment of our new design.
The broken lines in the drawing figures are included for the purpose of illustrating environment and form no part of the claimed design. Anything not shown in FIG. 8, the view showing the second embodiment, forms no part of the claimed design.

- (56) **References Cited**
- U.S. PATENT DOCUMENTS
- D310,616 S * 9/1990 Murai D7/351
- D535,141 S * 1/2007 Lee D7/351

1 Claim, 5 Drawing Sheets

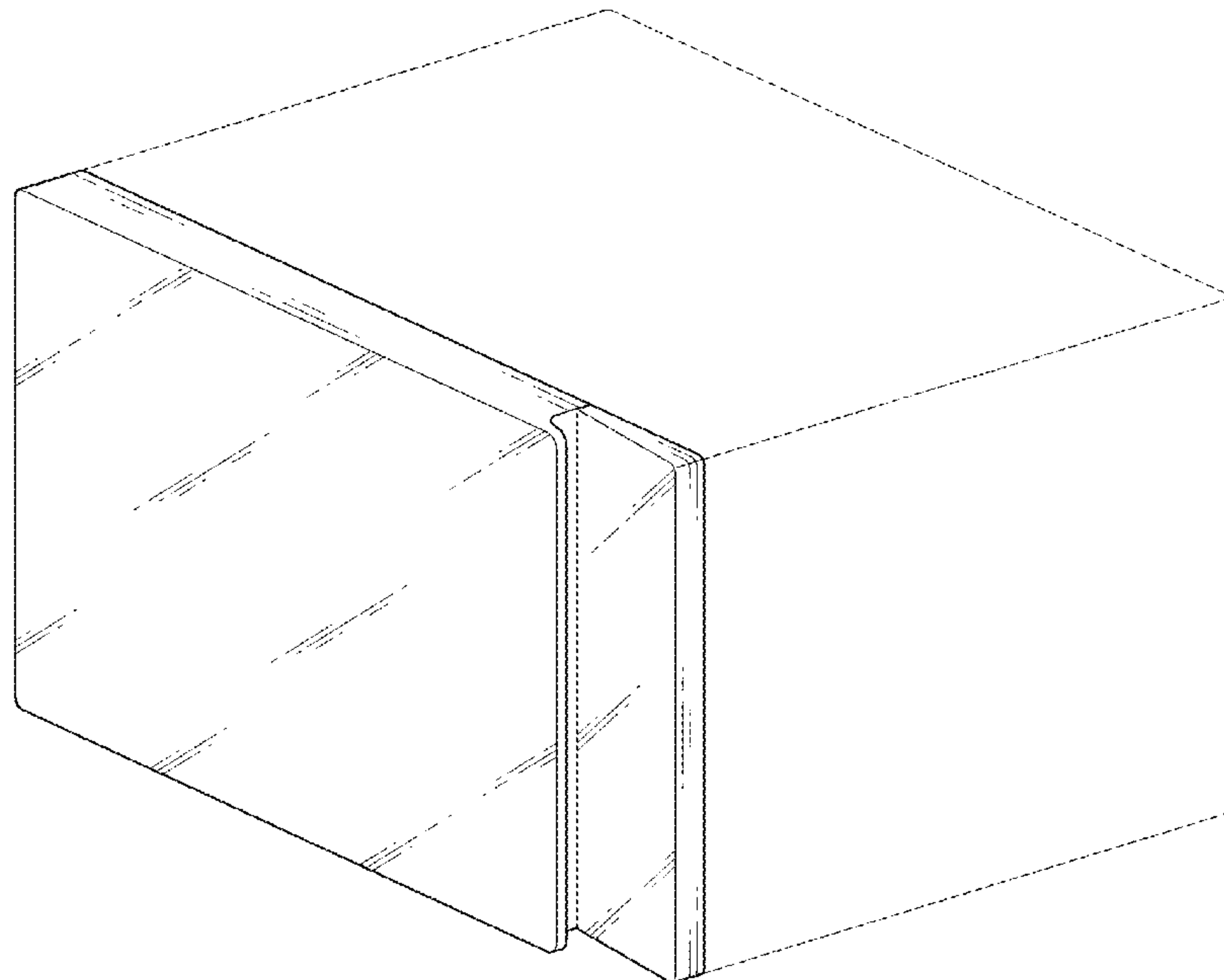


FIG. 1

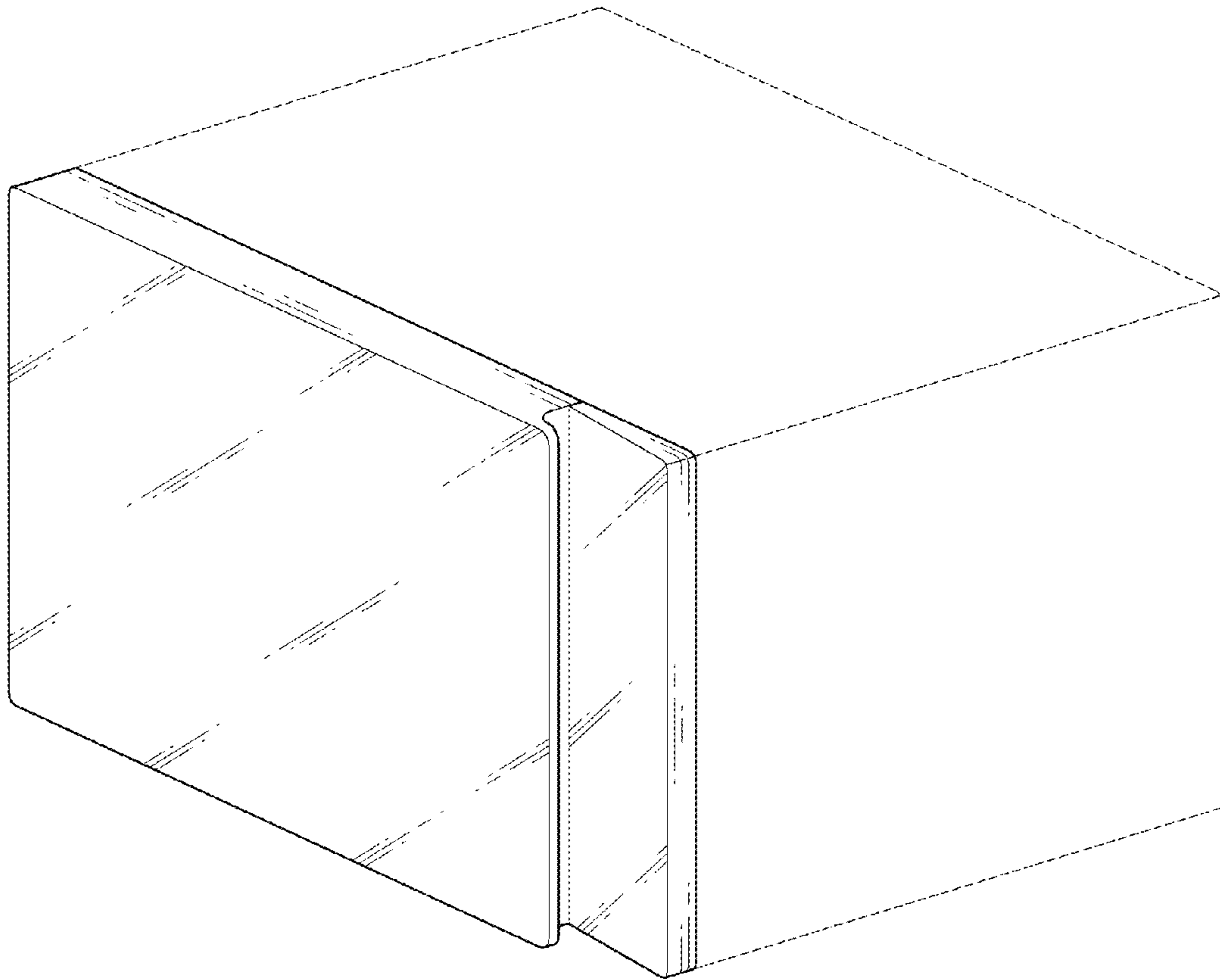


FIG. 2

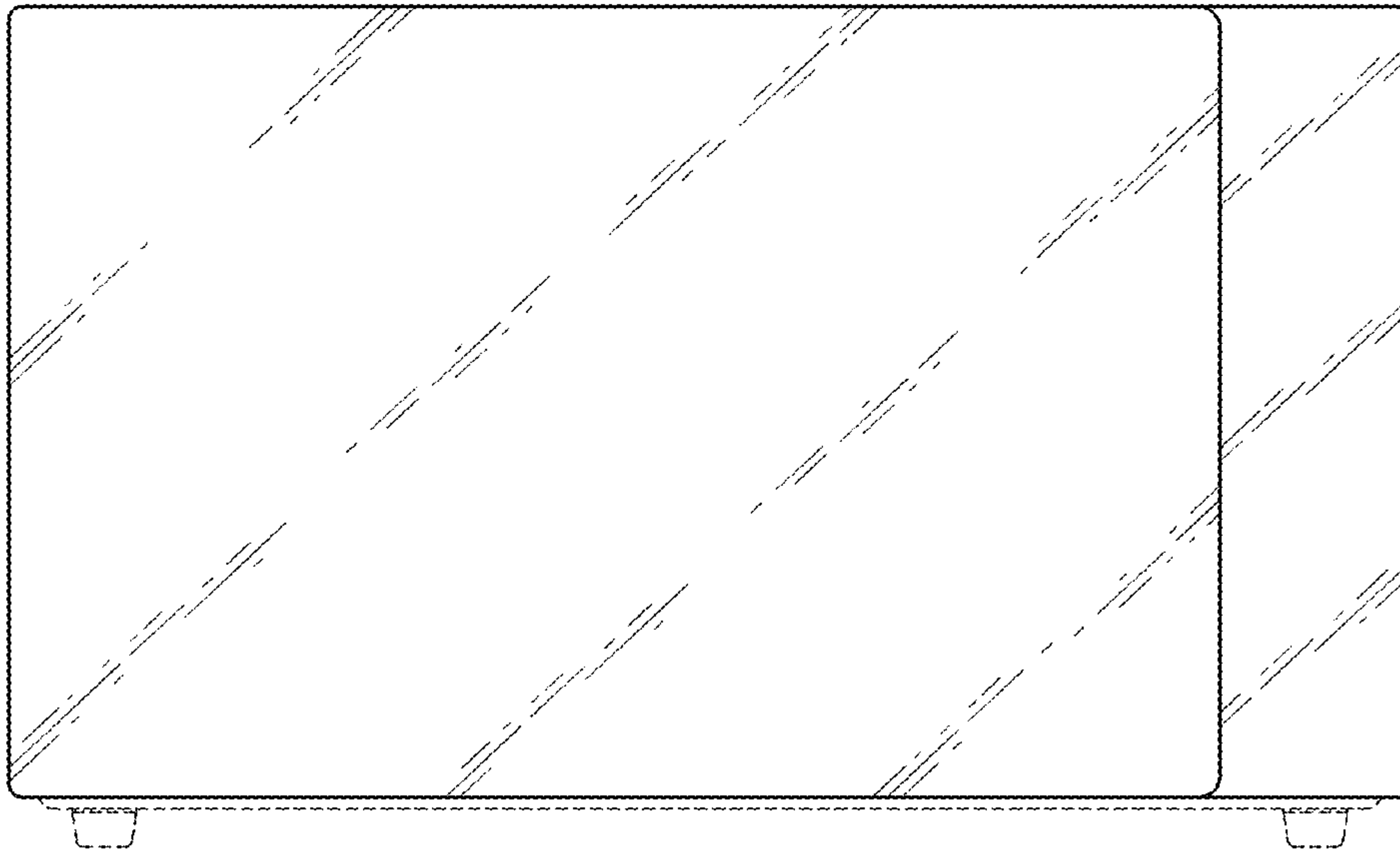


FIG. 3



FIG. 4

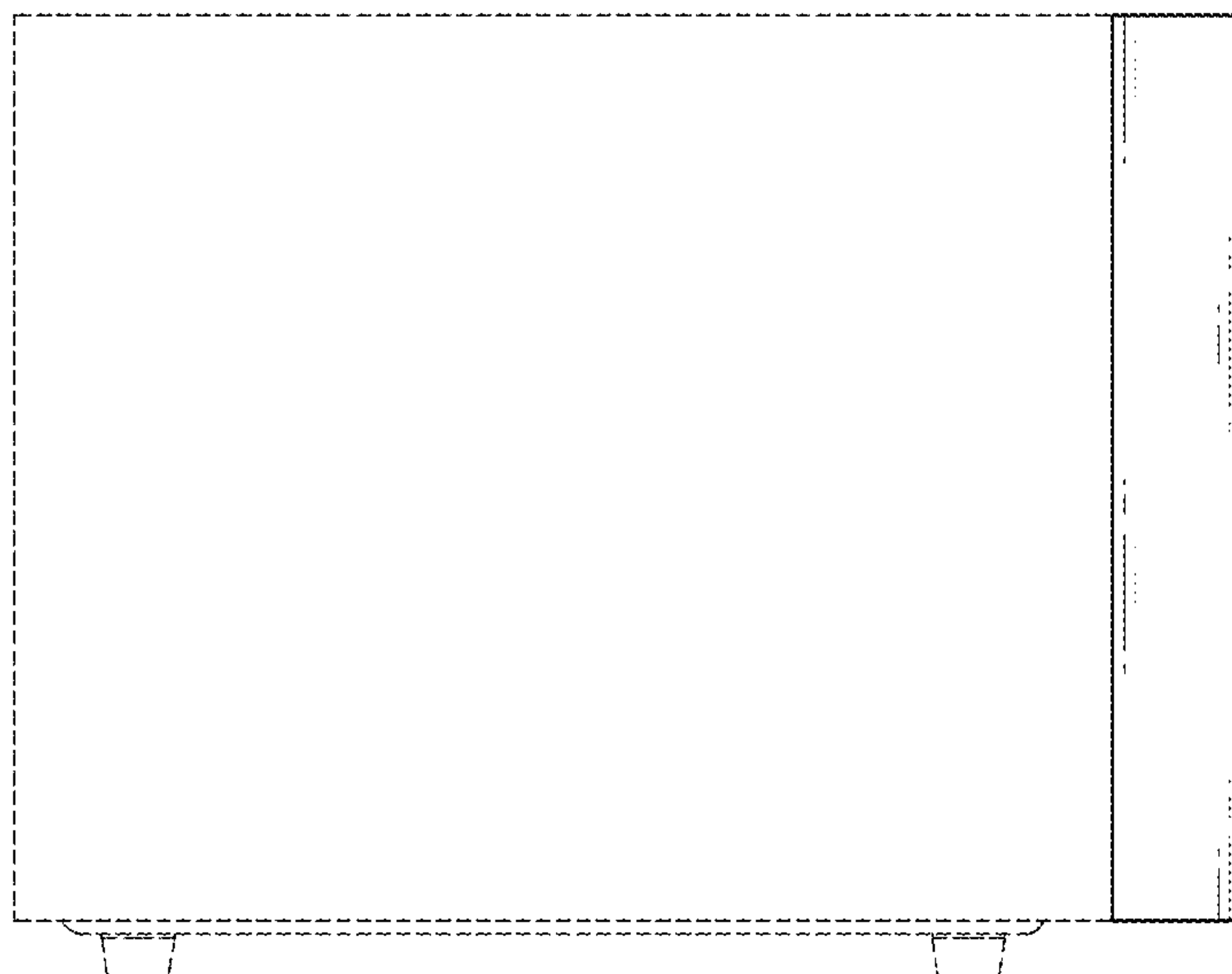


FIG. 5

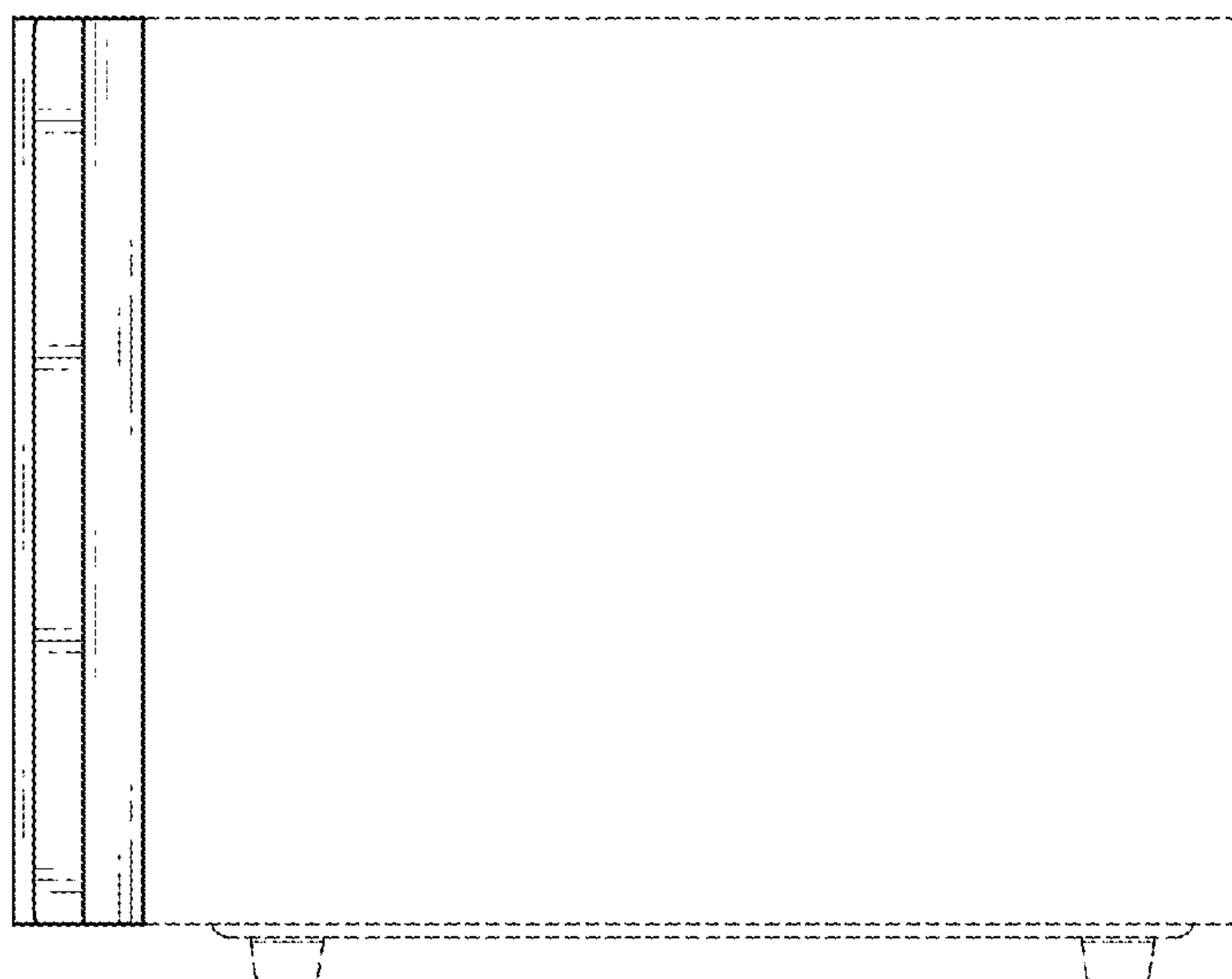


FIG. 6

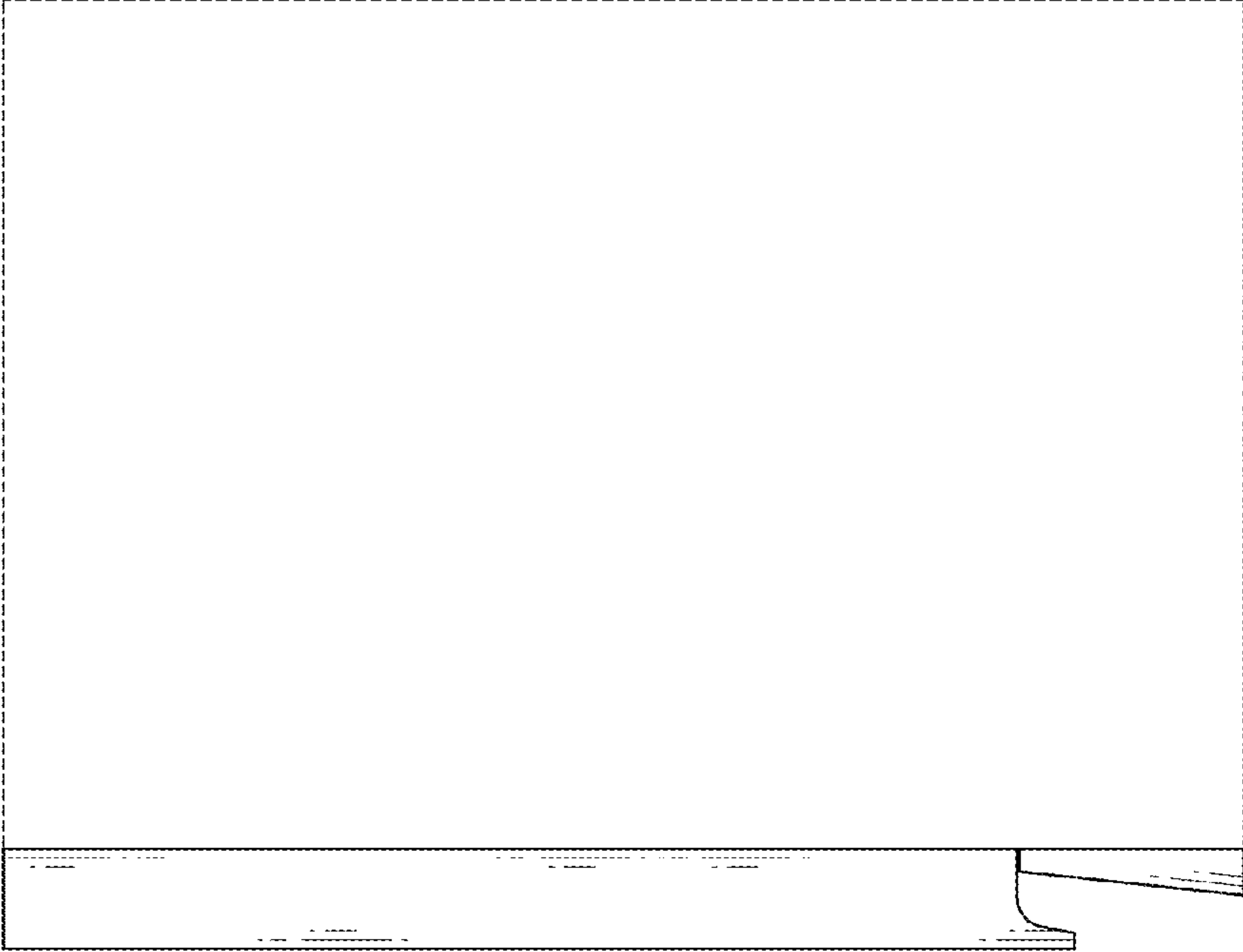


FIG. 7

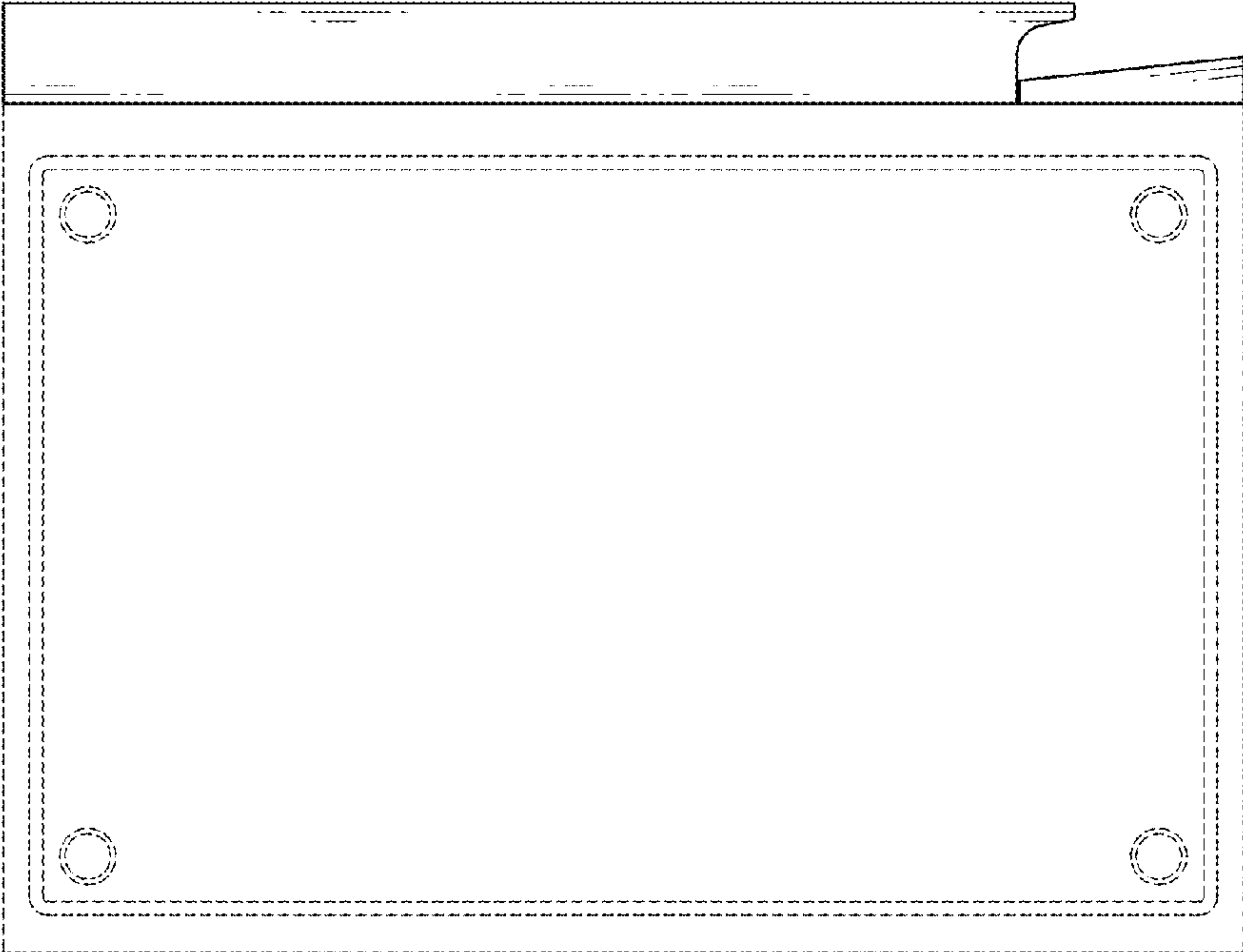


FIG. 8

