



US00D761618S

(12) **United States Design Patent**
Lapsker

(10) **Patent No.:** **US D761,618 S**
(45) **Date of Patent:** **** Jul. 19, 2016**

- (54) **LID**
- (71) Applicant: **Starline Global Inc.**, Bridgetown (BB)
- (72) Inventor: **Ron Lapsker**, Thornhill (CA)
- (73) Assignee: **STARLINE GLOBAL INC.**,
Bridgetown (BB)
- (**) Term: **14 Years**
- (21) Appl. No.: **29/502,642**
- (22) Filed: **Sep. 18, 2014**
- (51) **LOC (10) Cl.** **07-02**
- (52) **U.S. Cl.**
USPC **D7/392.1; D7/396.2**
- (58) **Field of Classification Search**
USPC D7/319, 391, 392, 392.1, 393, 396.2,
D7/397, 398, 509, 510, 511; D9/435, 440,
D9/447, 450, 503, 504, 516, 761; 215/41,
215/224, 329, 386, 387, 388, 392, 396;
220/254.8, 700, 703, 705, 710, 711,
220/715; 222/465.1, 475.1
CPC A47G 19/2272
See application file for complete search history.

(56) **References Cited**
U.S. PATENT DOCUMENTS

D460,324 S	7/2002	Norris et al.	
D460,661 S	7/2002	Norris et al.	
D464,849 S	10/2002	Norris et al.	
D468,588 S	1/2003	Norris et al.	
D469,658 S	2/2003	Norris et al.	
D479,669 S	9/2003	Norris et al.	
D482,933 S	12/2003	Norris et al.	
D483,615 S	12/2003	Norris et al.	
D485,759 S *	1/2004	Janky et al.	D9/449
D503,074 S	3/2005	Norris et al.	
D539,607 S	4/2007	Lapsker	
D539,608 S	4/2007	Lapsker	
D539,610 S	4/2007	Lapsker	

D540,119 S	4/2007	Lapsker	
D570,648 S *	6/2008	Bodum	D7/510
D587,069 S *	2/2009	Bodum	D7/510
D609,054 S *	2/2010	Gilbert	D7/510
D623,017 S *	9/2010	George	D7/510
D643,245 S *	8/2011	Minarsch	D7/392.1
D644,060 S *	8/2011	Komeiji	D7/392.1
D647,753 S *	11/2011	Lin	D7/392.1
D655,570 S *	3/2012	Meehan	D7/510
D667,263 S *	9/2012	Gilbert et al.	D7/392.1
D691,416 S *	10/2013	Eyal	D7/396.2
D692,270 S	10/2013	Lapsker	
D701,428 S	3/2014	Lapsker	
D705,012 S	5/2014	Lapsker	
D712,739 S	9/2014	Lapsker	
D719,023 S *	12/2014	Hu et al.	D9/449
2009/0071969 A1 *	3/2009	Lopez	220/592.17

* cited by examiner

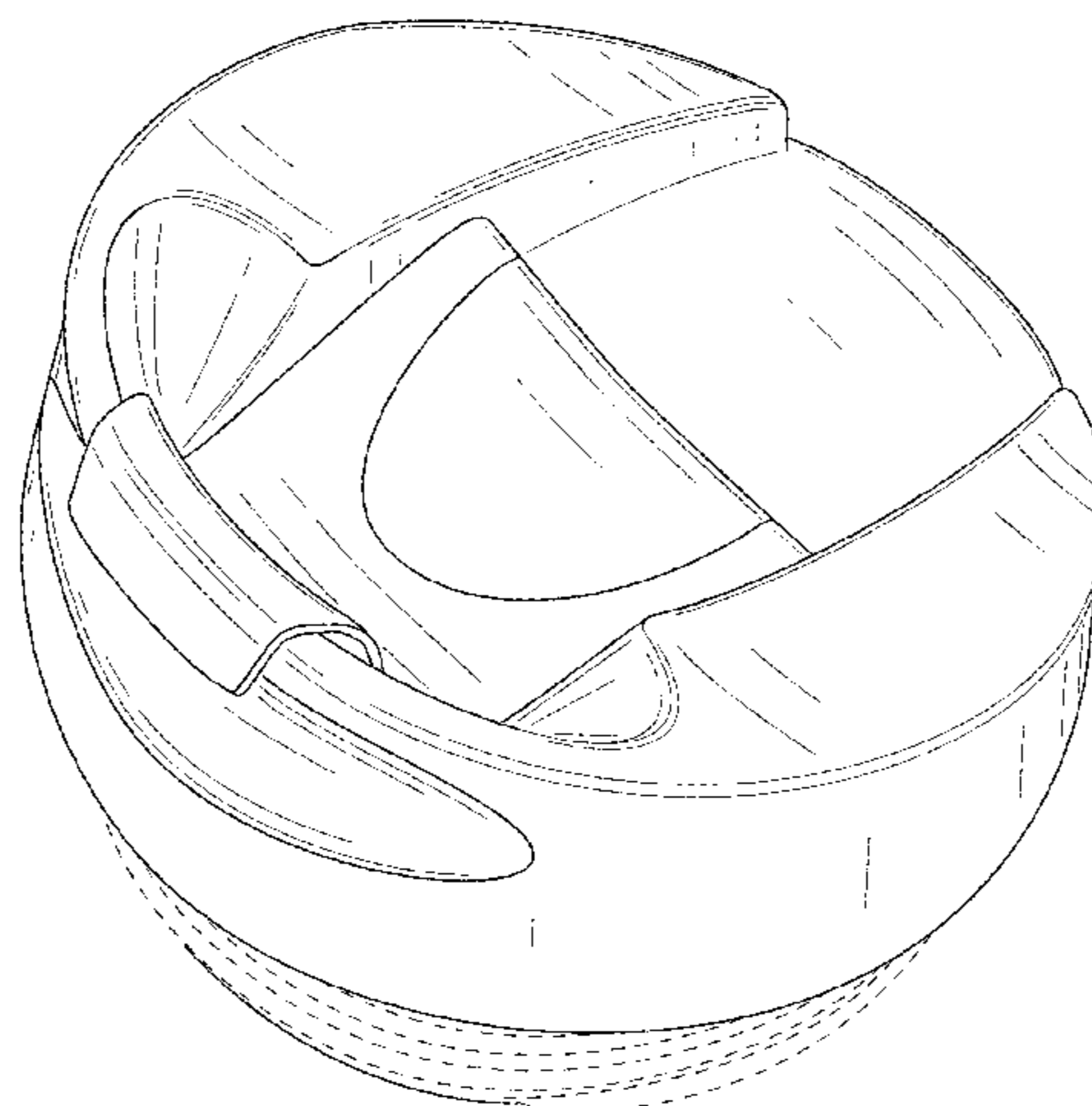
Primary Examiner — Robert M Spear
Assistant Examiner — Kendra L Hamilton
(74) *Attorney, Agent, or Firm* — Hodgson Russ LLP

(57) **CLAIM**
The ornamental design for a lid, as shown and described.

DESCRIPTION

FIG. 1 is a front perspective view of the lid showing my new design;
FIG. 2 is a front view thereof;
FIG. 3 is a rear view thereof;
FIG. 4 is a right view thereof
FIG. 5 is a left view thereof;
FIG. 6 is a top view thereof;
FIG. 7 is a bottom view thereof;
FIG. 8 is a rear perspective view thereof, showing the lid in an open position; and,
FIG. 9 is a top view thereof, showing the lid in an open position.
The broken lines illustrate unclaimed portions of the lid that form no part of the claimed design.

1 Claim, 9 Drawing Sheets



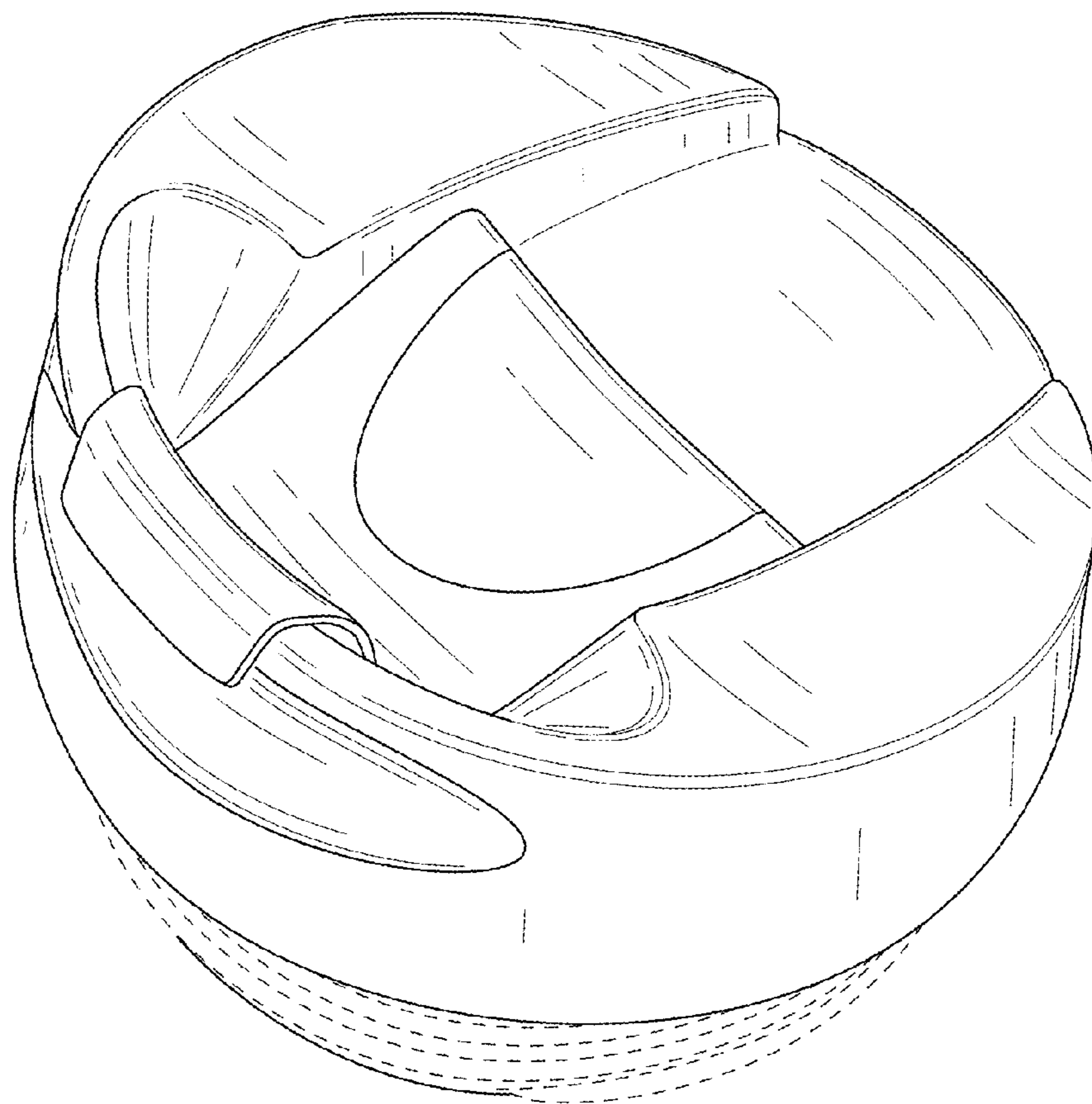


FIG. 1

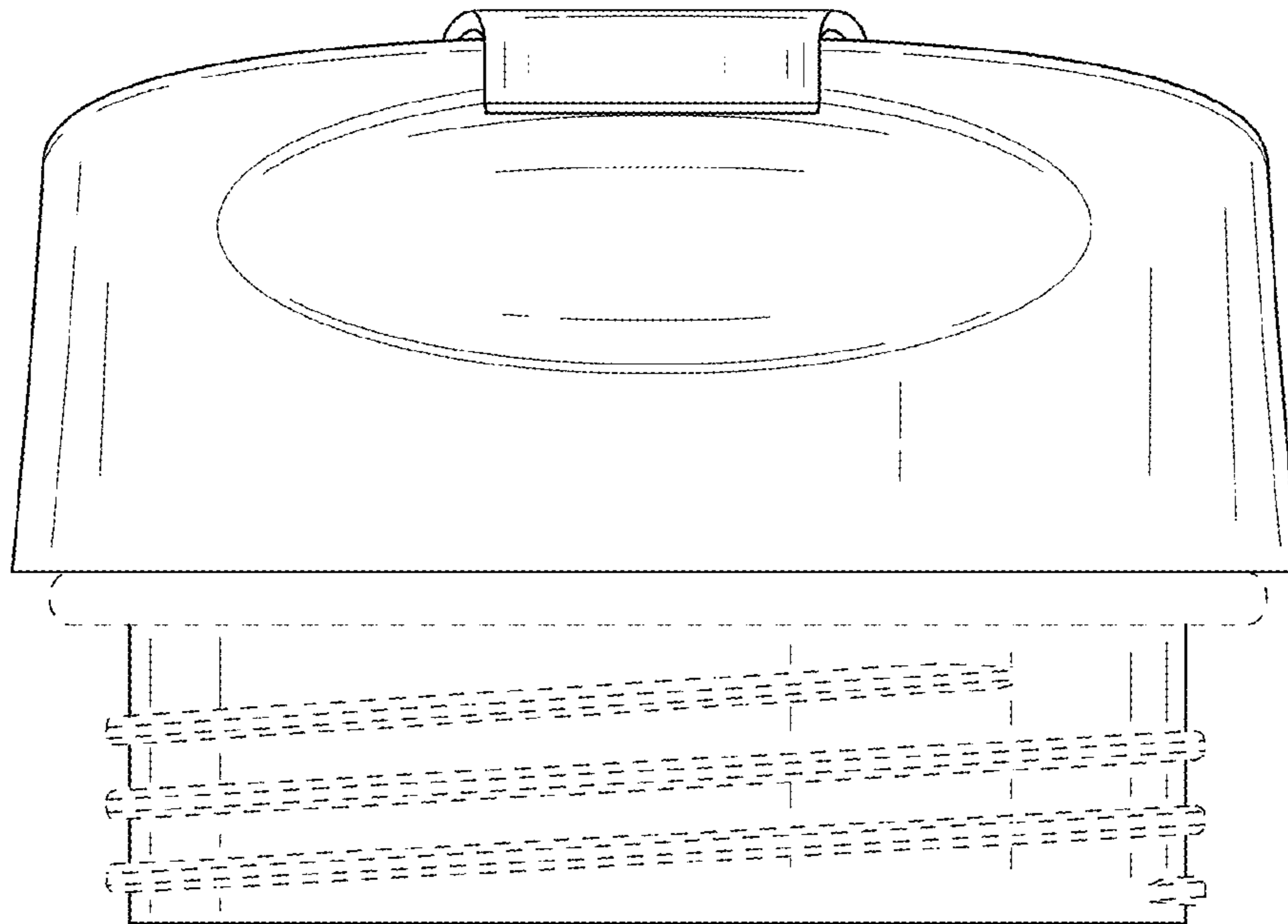


FIG. 2

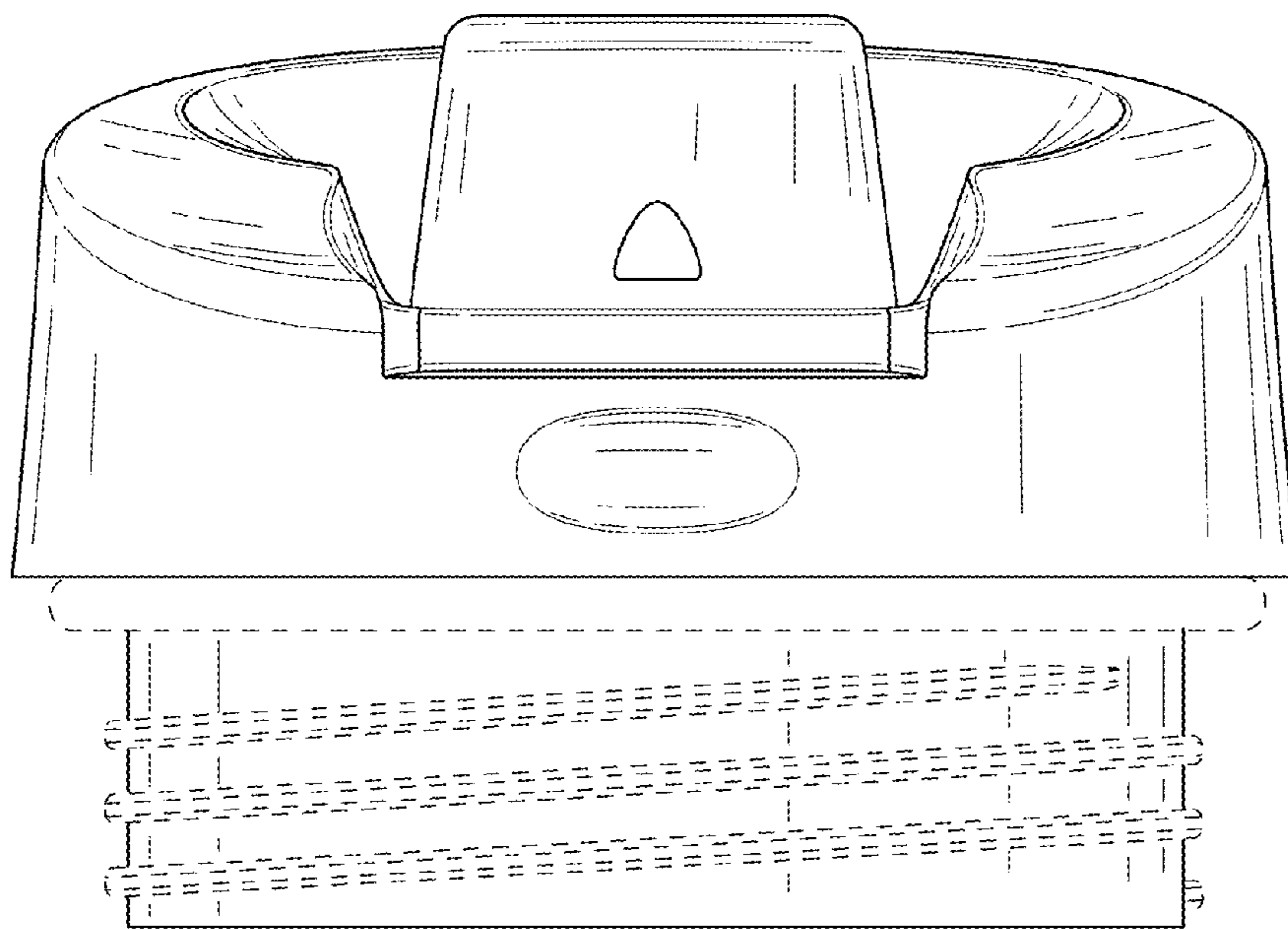


FIG. 3

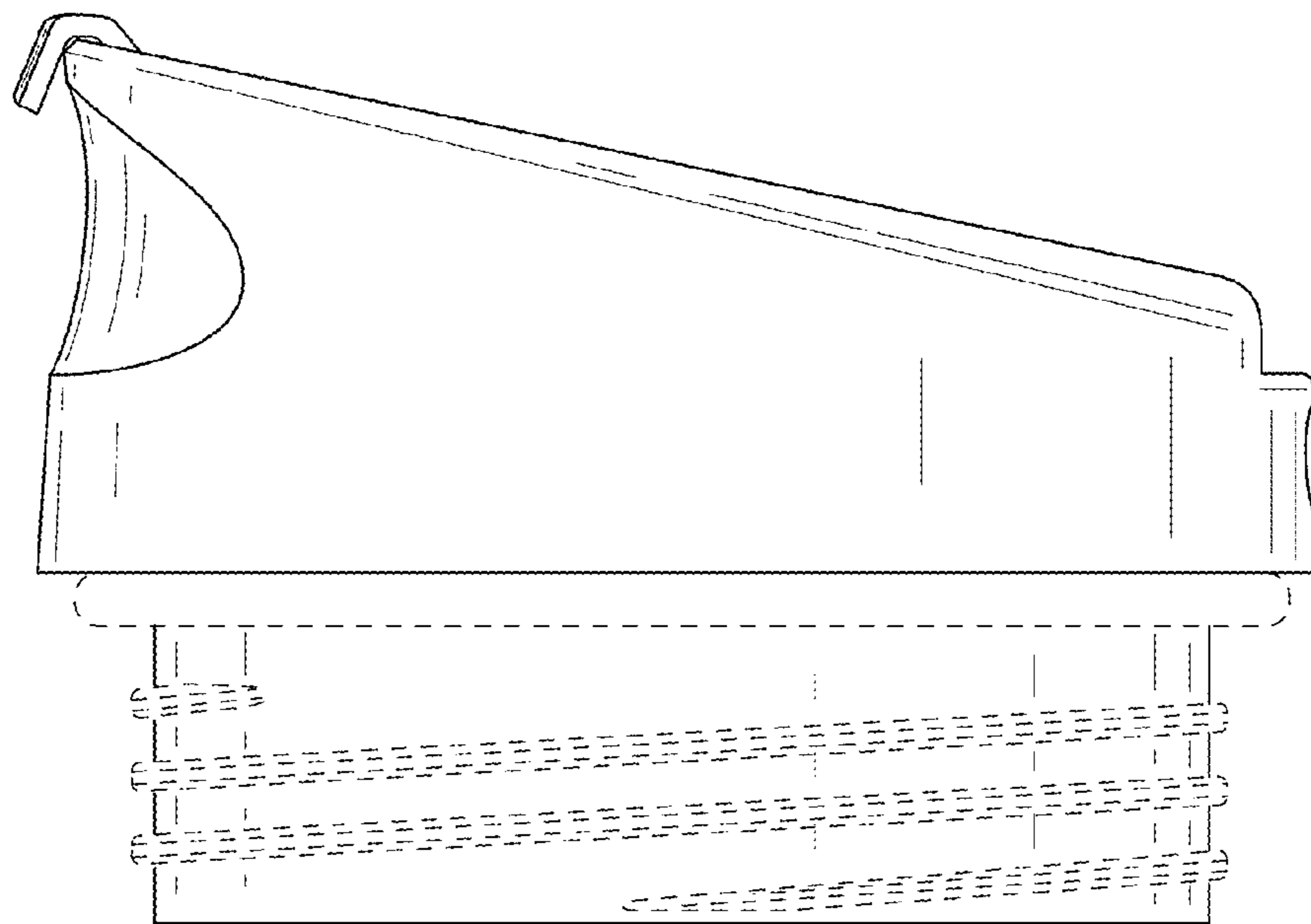


FIG. 4

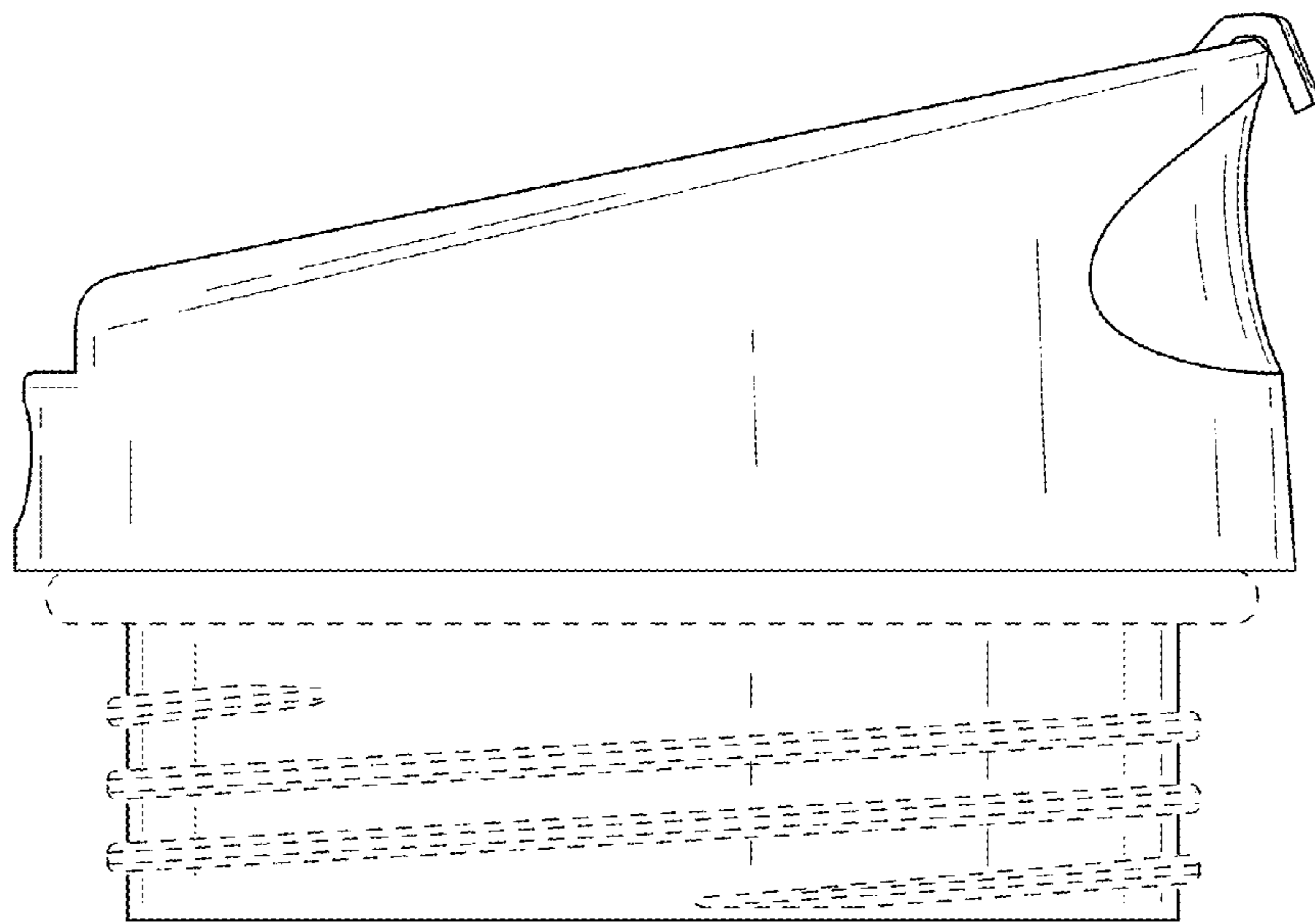


FIG. 5

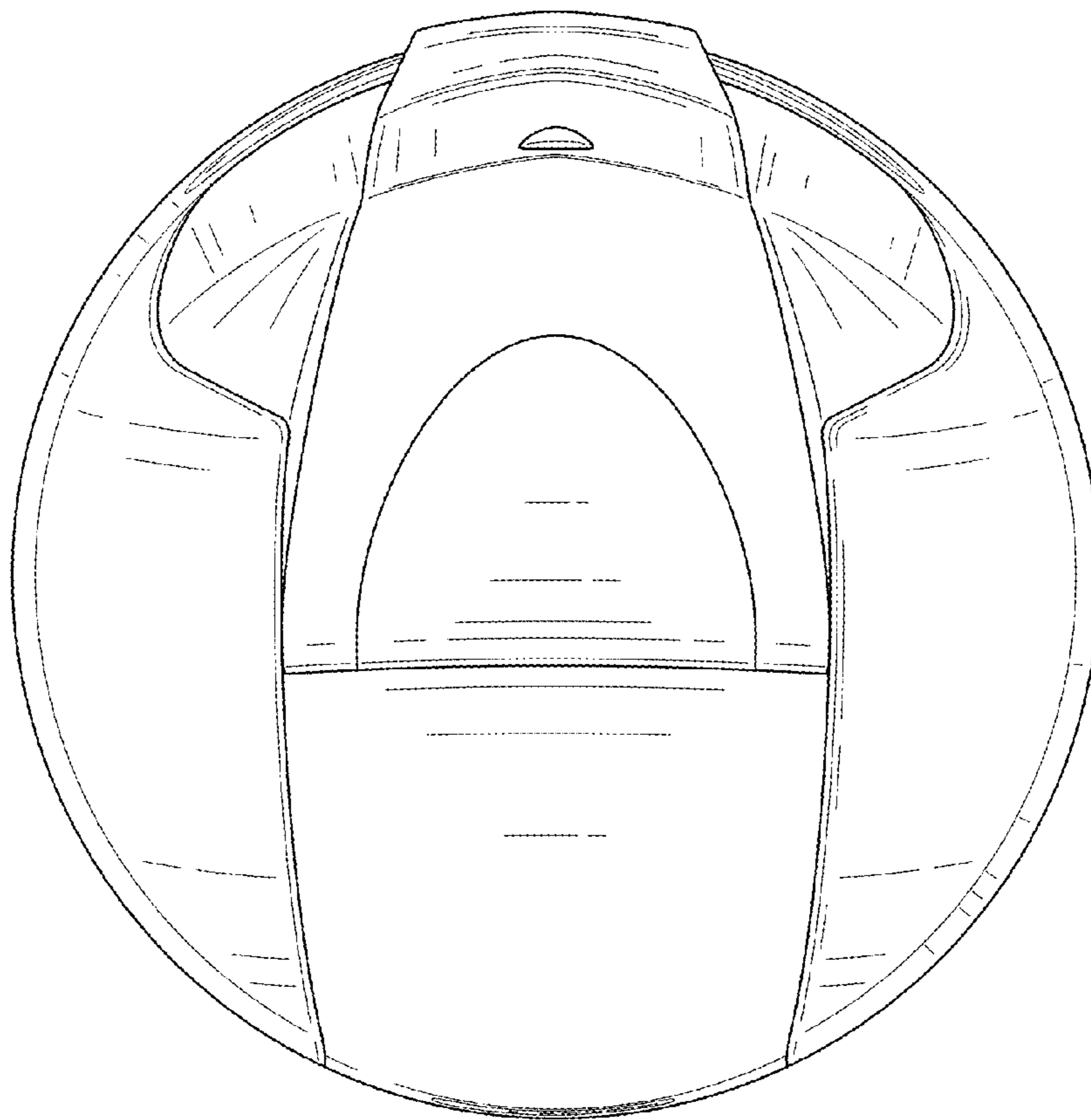


FIG. 6

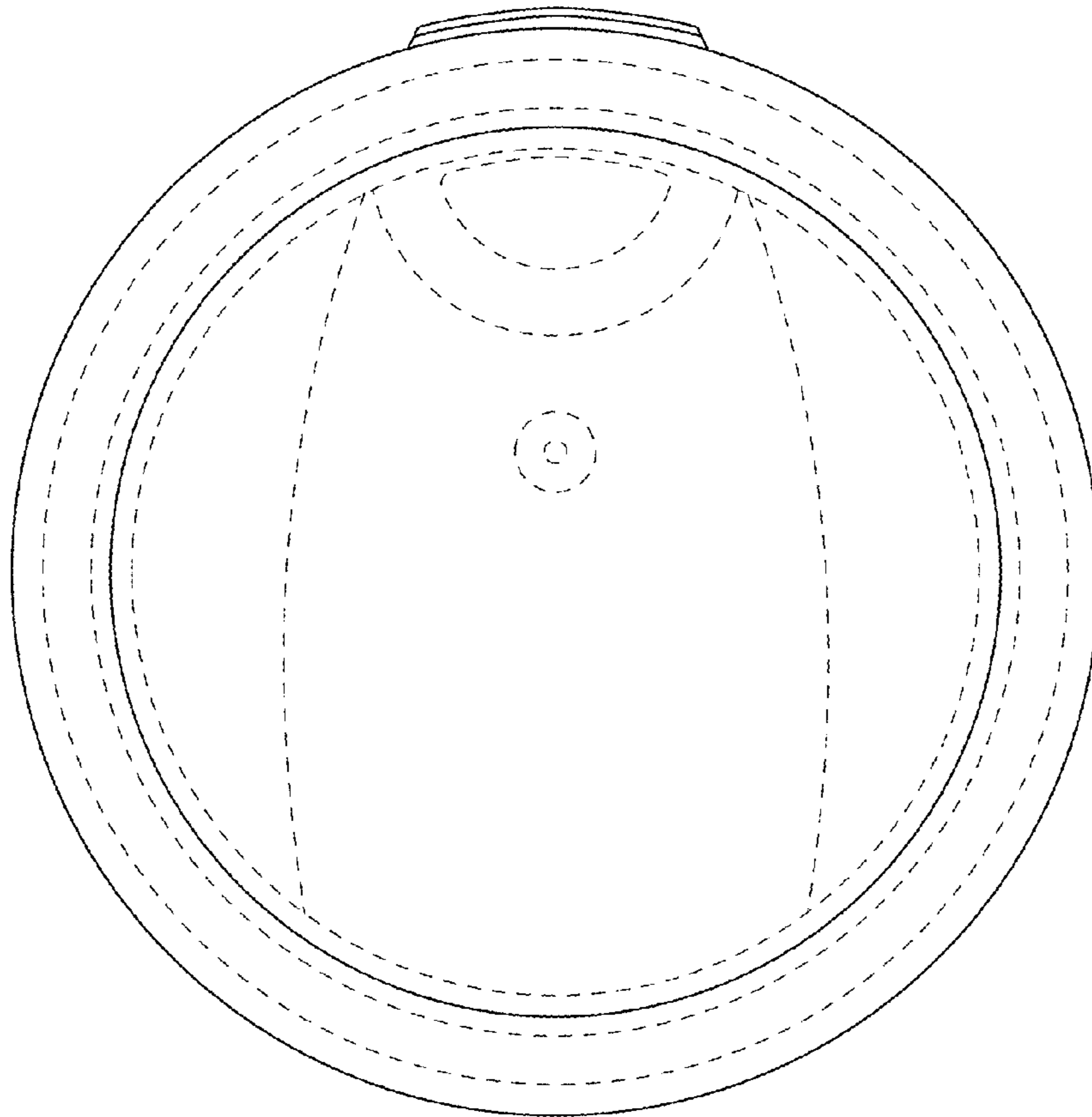


FIG. 7

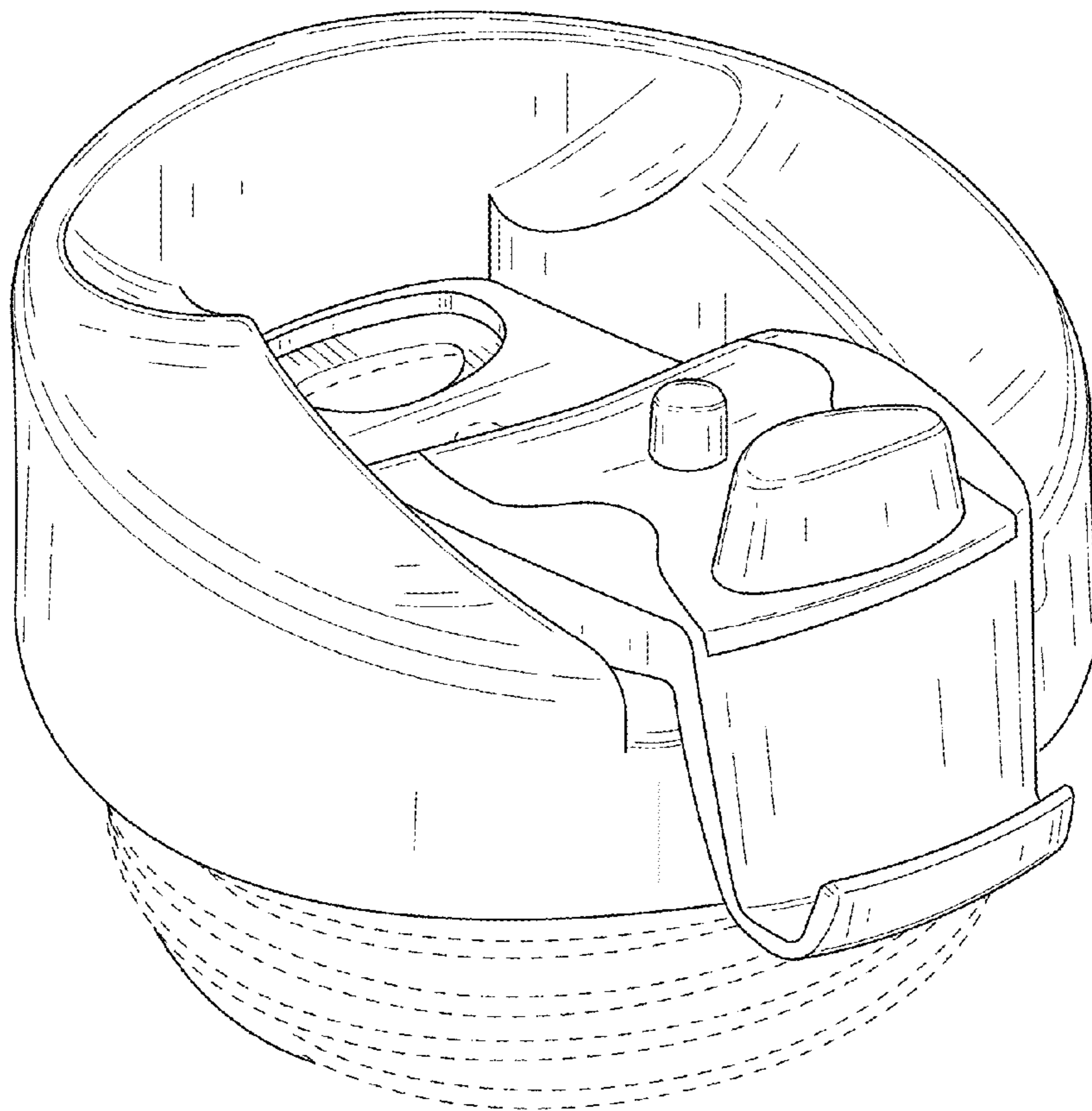


FIG. 8

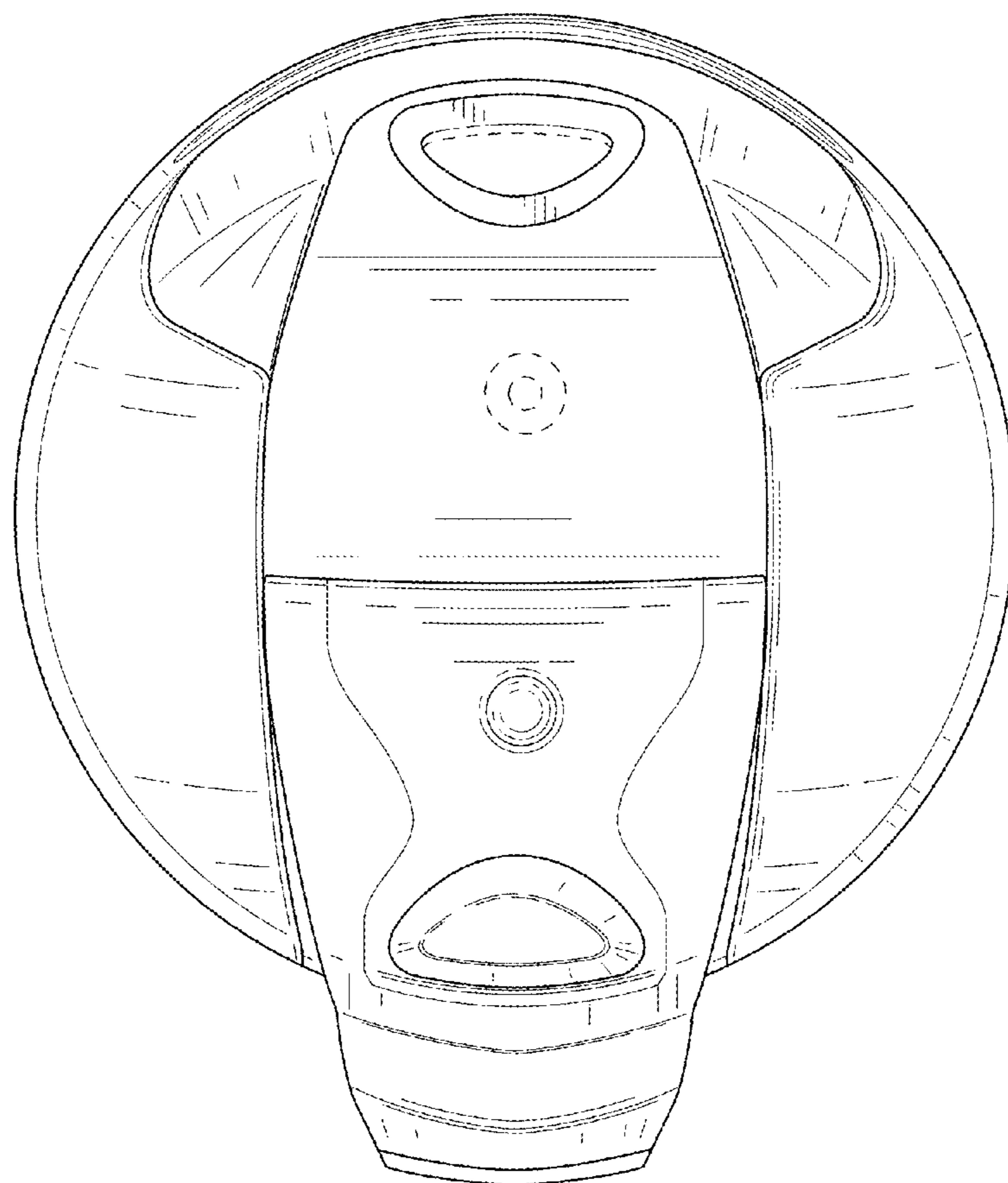


FIG. 9