



US00D761617S

(12) **United States Design Patent**  
**Dennisur et al.**

(10) **Patent No.:** **US D761,617 S**  
(45) **Date of Patent:** **\*\* Jul. 19, 2016**

- (54) **BLENDER BASE**
- (71) Applicant: **Hamilton Beach Brands, Inc.**, Glen Allen, VA (US)
- (72) Inventors: **Delroy Dennisur**, Smyrna, GA (US); **Spender Dodge**, Stone Mountain, GA (US); **Jonathan Dalton**, Marietta, GA (US)
- (73) Assignee: **Hamilton Beach Brands, Inc.**, Glen Allen, VA (US)
- (\*\*) Term: **14 Years**
- (21) Appl. No.: **29/518,781**
- (22) Filed: **Feb. 27, 2015**
- (51) **LOC (10) Cl.** ..... **31-00**
- (52) **U.S. Cl.**  
USPC ..... **D7/386; D7/376; D7/378; D7/384; D7/412**
- (58) **Field of Classification Search**  
USPC ..... D7/372, 376–386, 412–413, 602, 629, D7/665–666, 669, 679, 693–694  
CPC ..... A21C 1/02; A21C 1/04; A23N 1/00; A23N 1/02; A47J 43/04; A47J 43/25; A47J 43/27; A47J 43/042; A47J 43/044; A47J 43/046; A47J 43/075; A47J 43/0722; A47J 43/0727; B01F 3/00; B01F 3/0807; B01F 3/0853; B01F 13/0059; B01F 13/0064; B02C 1/08; B02C 2/04; B02C 4/42; B02C 4/142; B02C 4/143; B02C 4/423; B02C 13/1835; B28C 5/10; B28C 5/12; B28C 5/14; B28C 5/16  
See application file for complete search history.

D187,684 S *	4/1960	Hauser .....	D7/378
D200,494 S *	3/1965	Bezark .....	D7/378
D228,698 S *	10/1973	Barnard et al. ....	D7/378
D466,363 S *	12/2002	Dalton .....	D7/384
D473,422 S	4/2003	Chiappetta et al.	
D484,357 S	12/2003	Seum et al.	
D498,642 S *	11/2004	Huang .....	D7/378
D560,963 S	2/2008	Alzheimer et al.	
D594,697 S	6/2009	Lavy	
D595,084 S *	6/2009	Metaxatos .....	D7/378
D616,244 S	5/2010	Thai et al.	
D631,282 S *	1/2011	Ferraby .....	D7/384
D642,858 S	8/2011	Lazzer	
D702,078 S *	4/2014	Coakley .....	D7/376
D711,682 S *	8/2014	Norland .....	D7/376
D731,234 S *	6/2015	Weaden .....	D7/376
D747,135 S *	1/2016	Ha .....	D7/376
D755,004 S *	5/2016	Bock .....	D7/376
2009/0152082 A1	6/2009	Hanes	

\* cited by examiner

Primary Examiner — Ricky Pham

(74) Attorney, Agent, or Firm — Alexander D Raring

(57) **CLAIM**

The ornamental design for a blender base, as shown and described.

**DESCRIPTION**

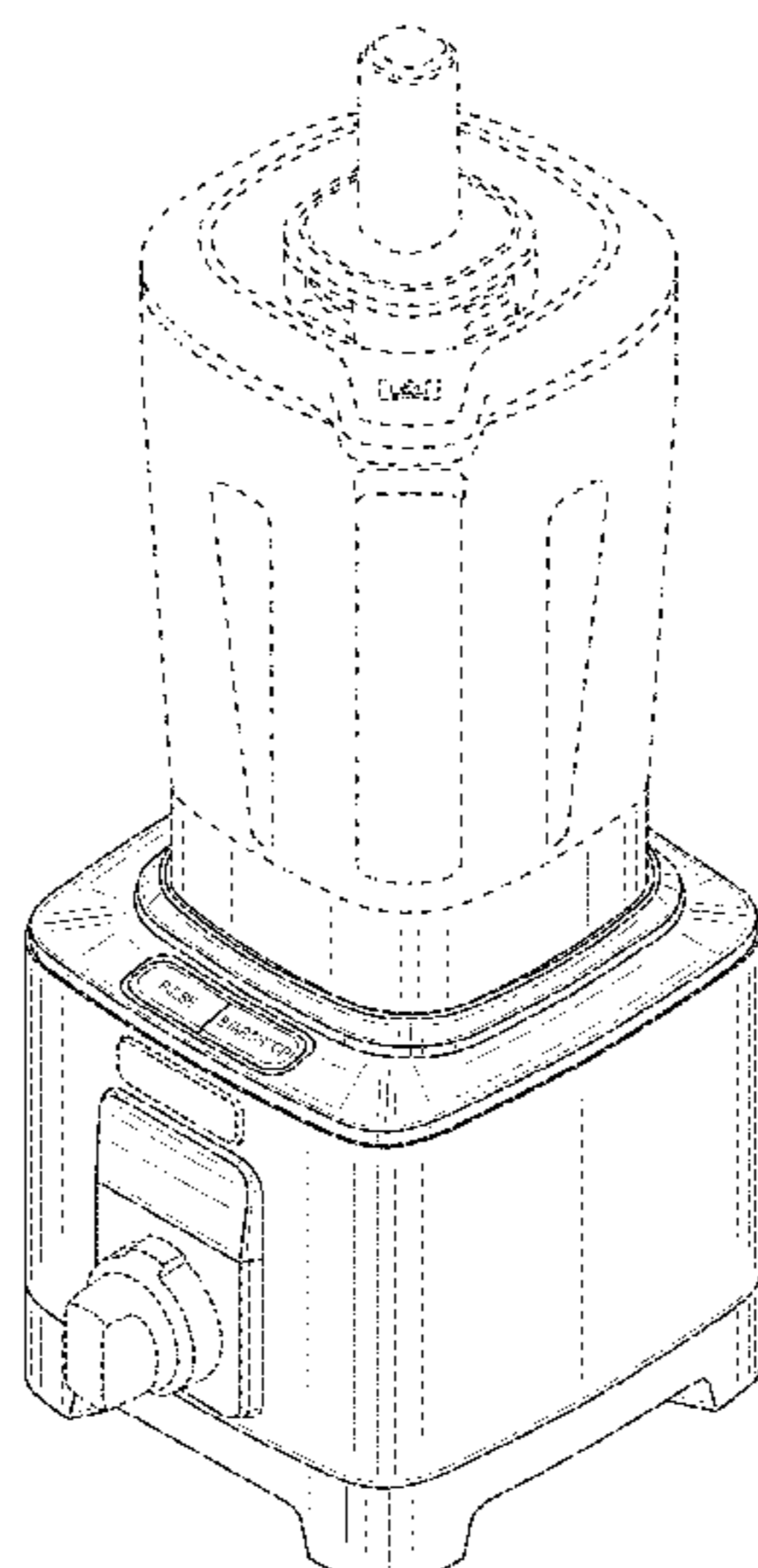
FIG. 1 is a perspective view as seen from the top, front and right side of a blender showing the new design;  
 FIG. 2 is an additional perspective view as seen from the top, front and right side thereof;  
 FIG. 3 is a front view thereof;  
 FIG. 4 is a rear view thereof;  
 FIG. 5 is a left side view thereof;  
 FIG. 6 is a right side view thereof;  
 FIG. 7 is a top view thereof; and,  
 FIG. 8 is a bottom view thereof.

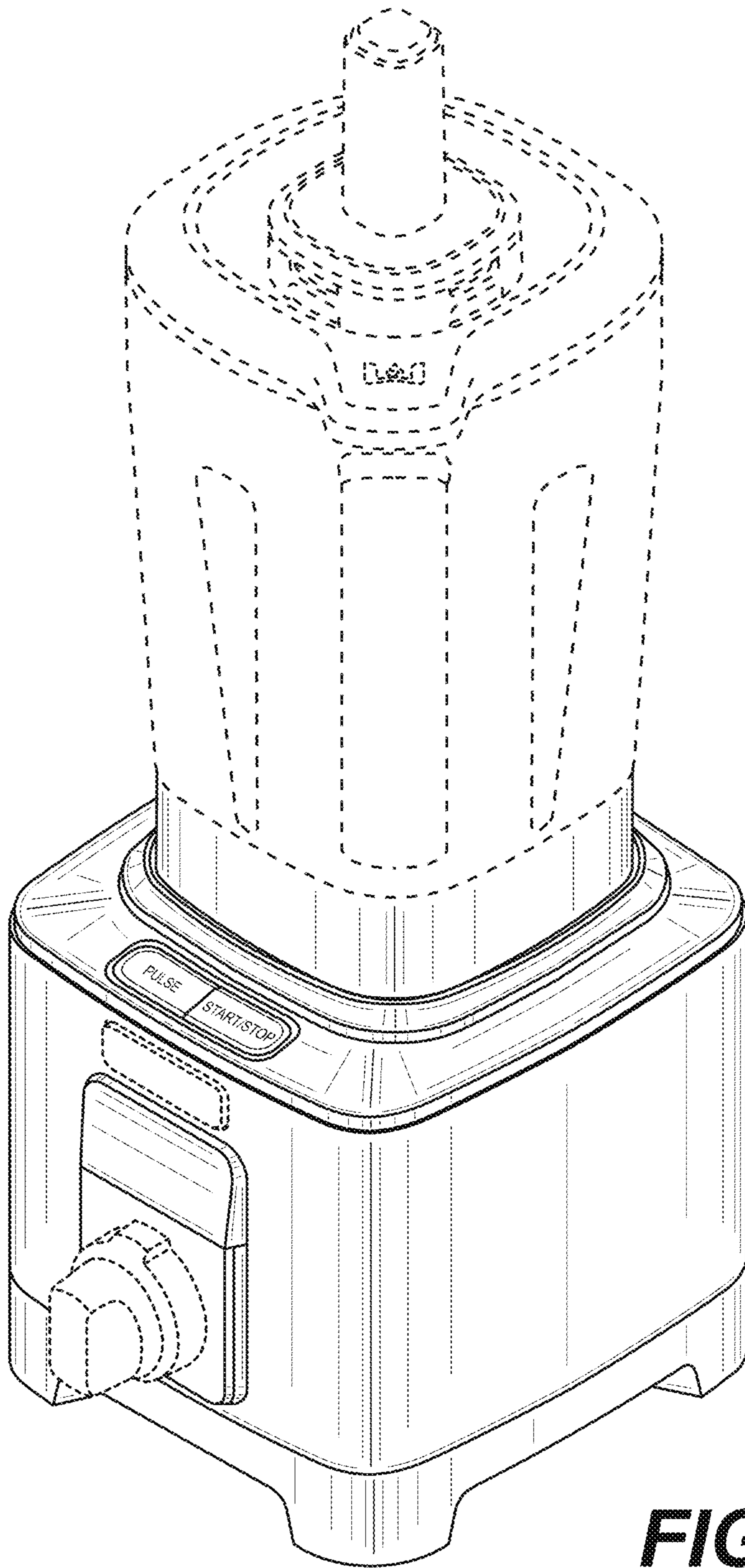
Any broken line illustration of the structure in the drawings is not part of the claimed design.

**1 Claim, 8 Drawing Sheets**

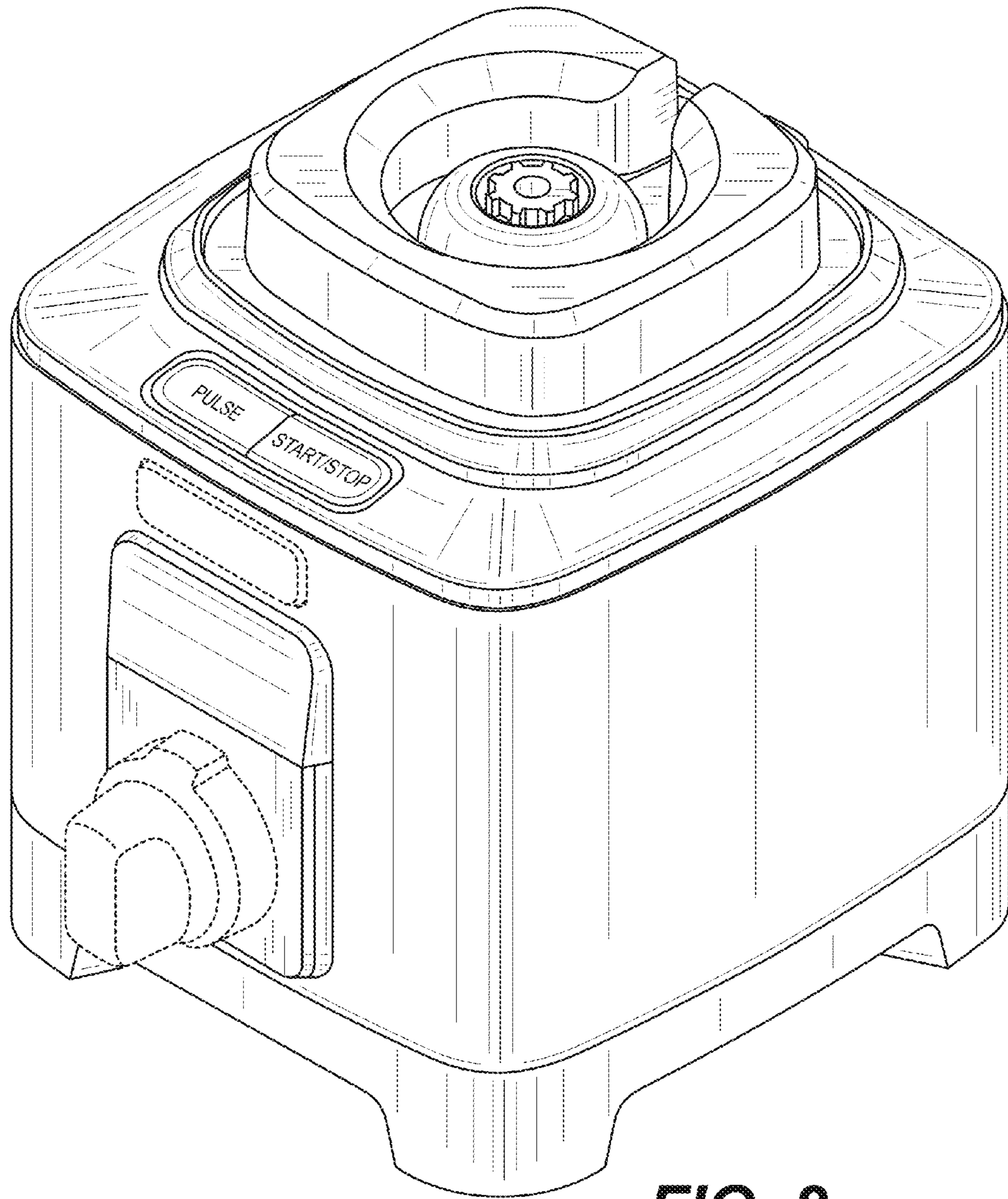
(56) **References Cited**  
U.S. PATENT DOCUMENTS

D176,257 S *	12/1955	Hill et al. ....	D7/378
D181,541 S	11/1957	Madl et al.	

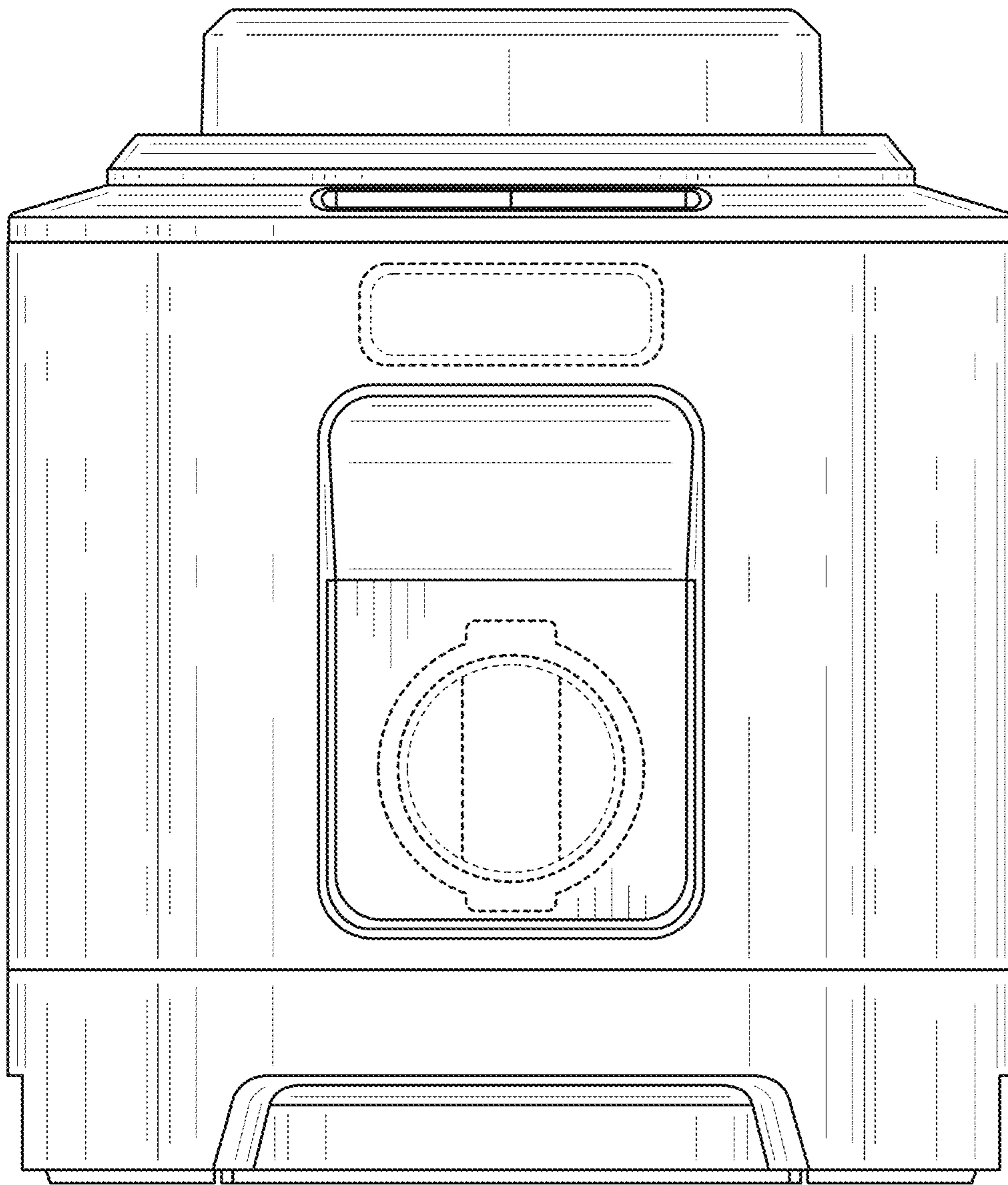




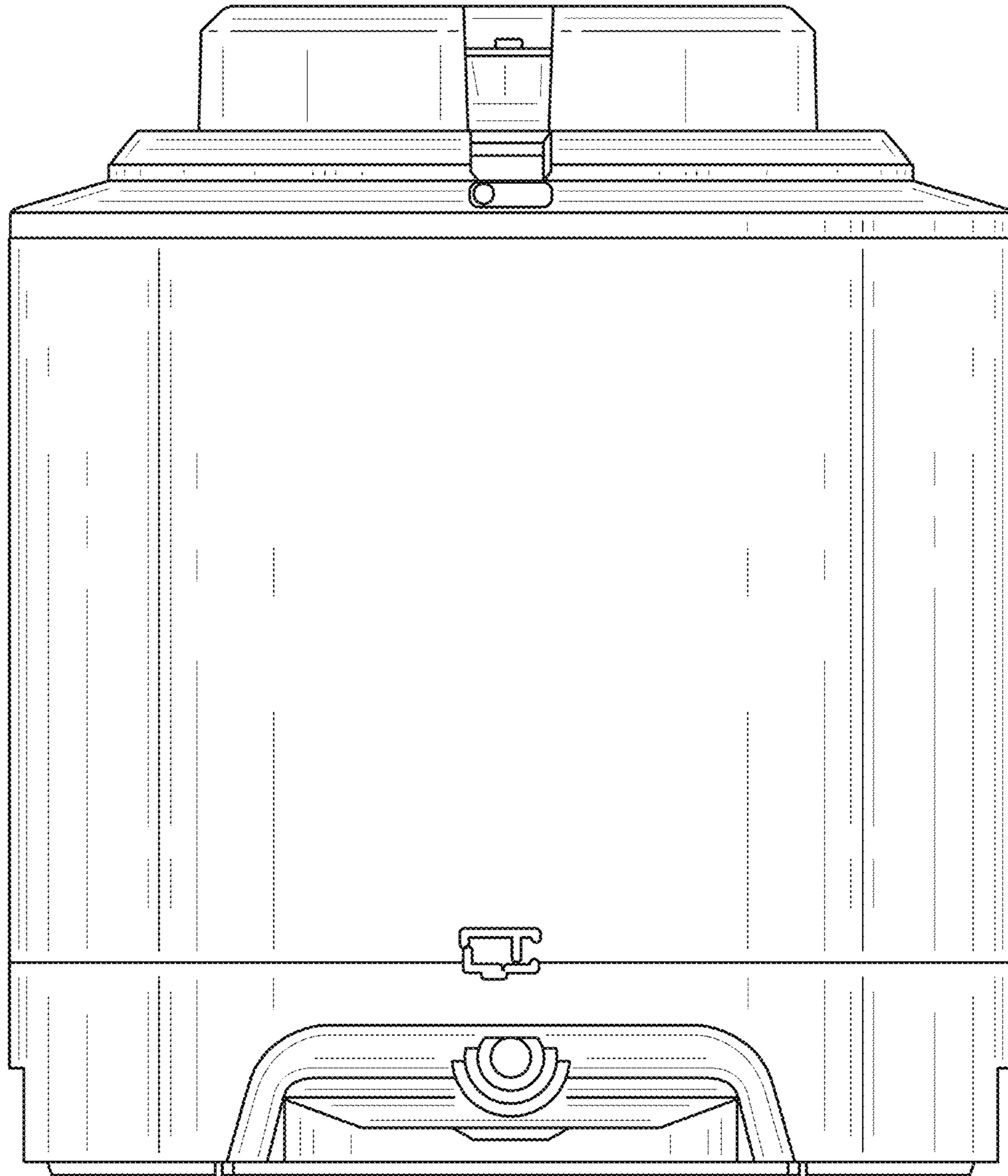
**FIG. 1**



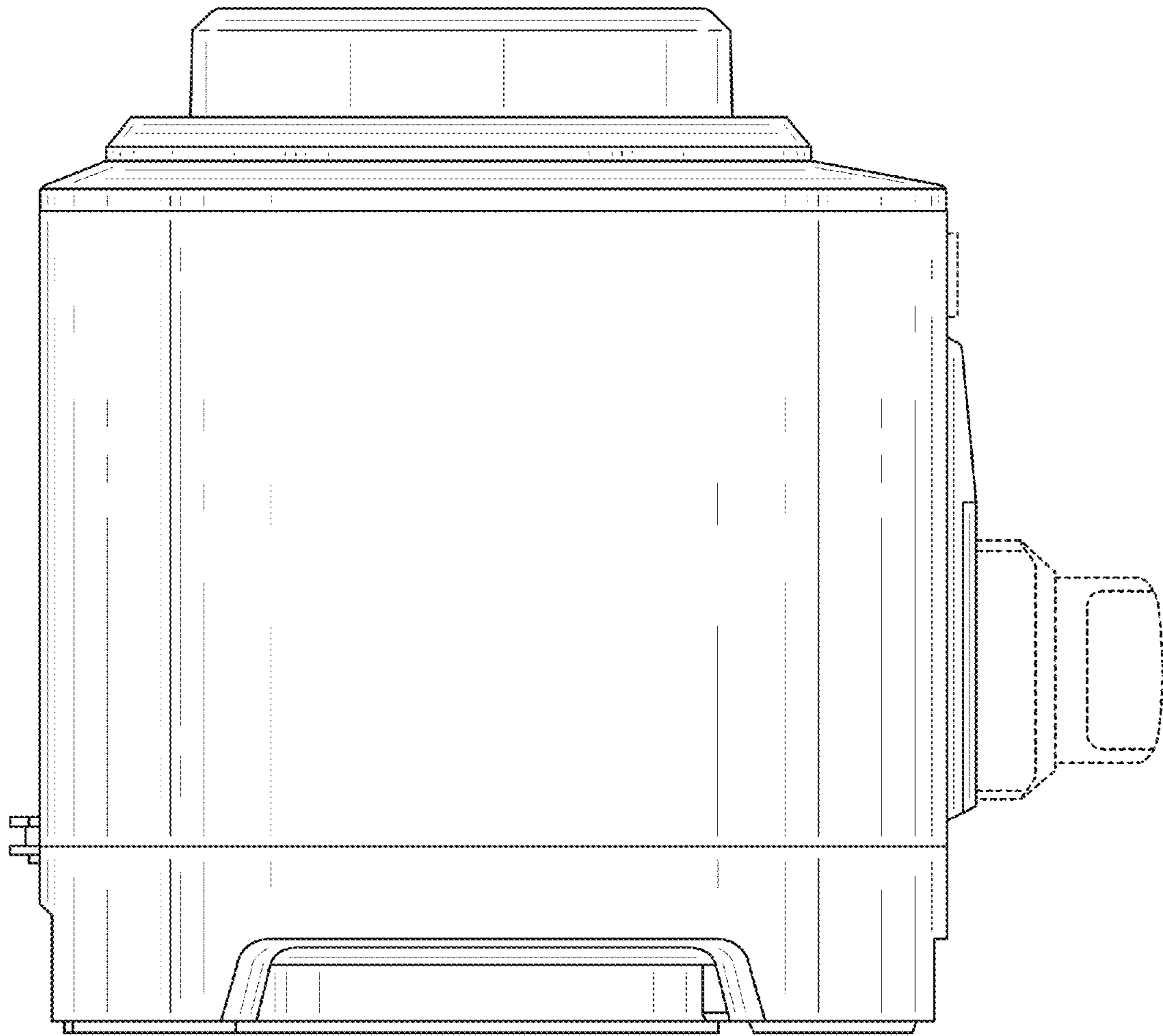
**FIG. 2**



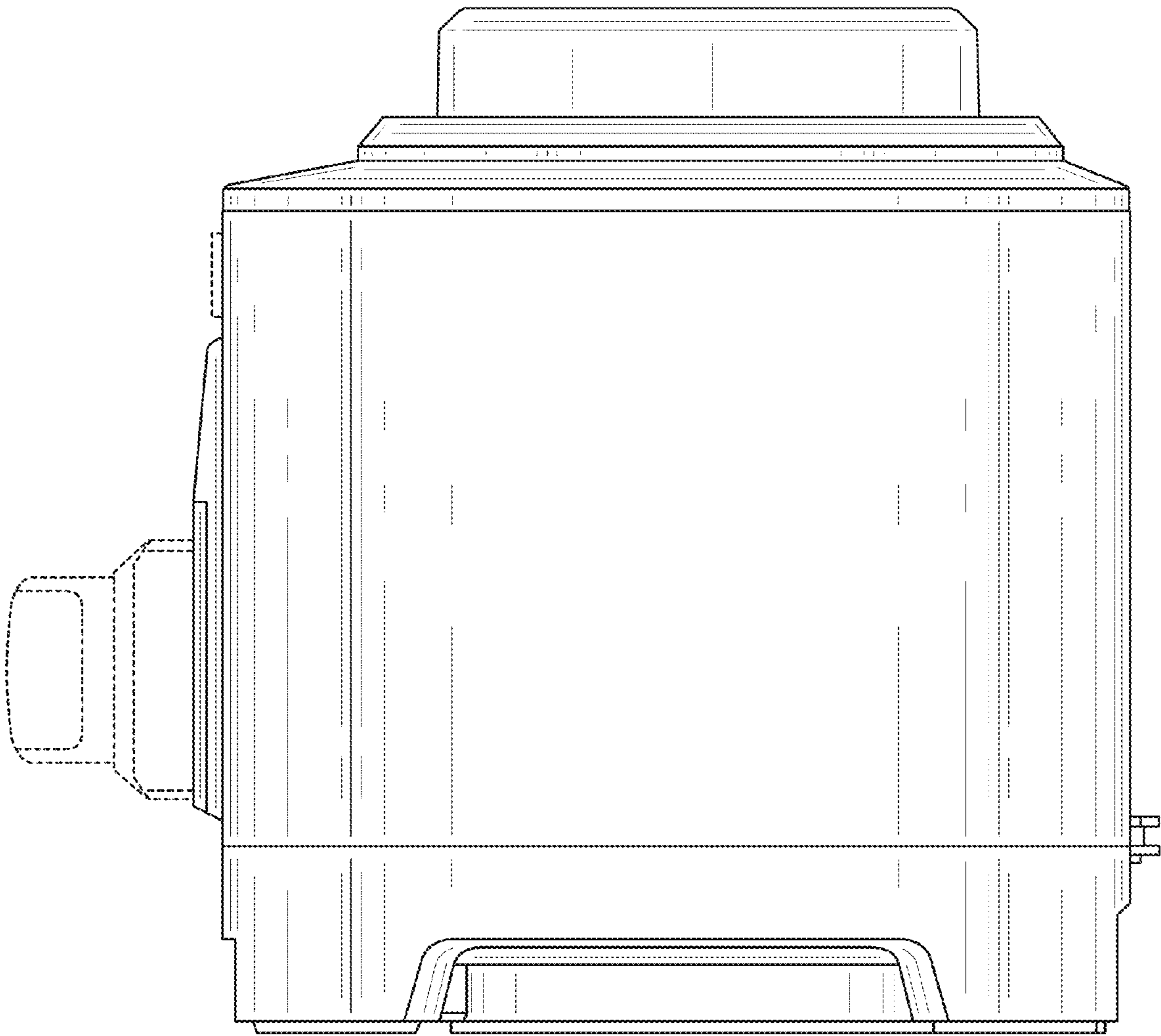
**FIG. 3**



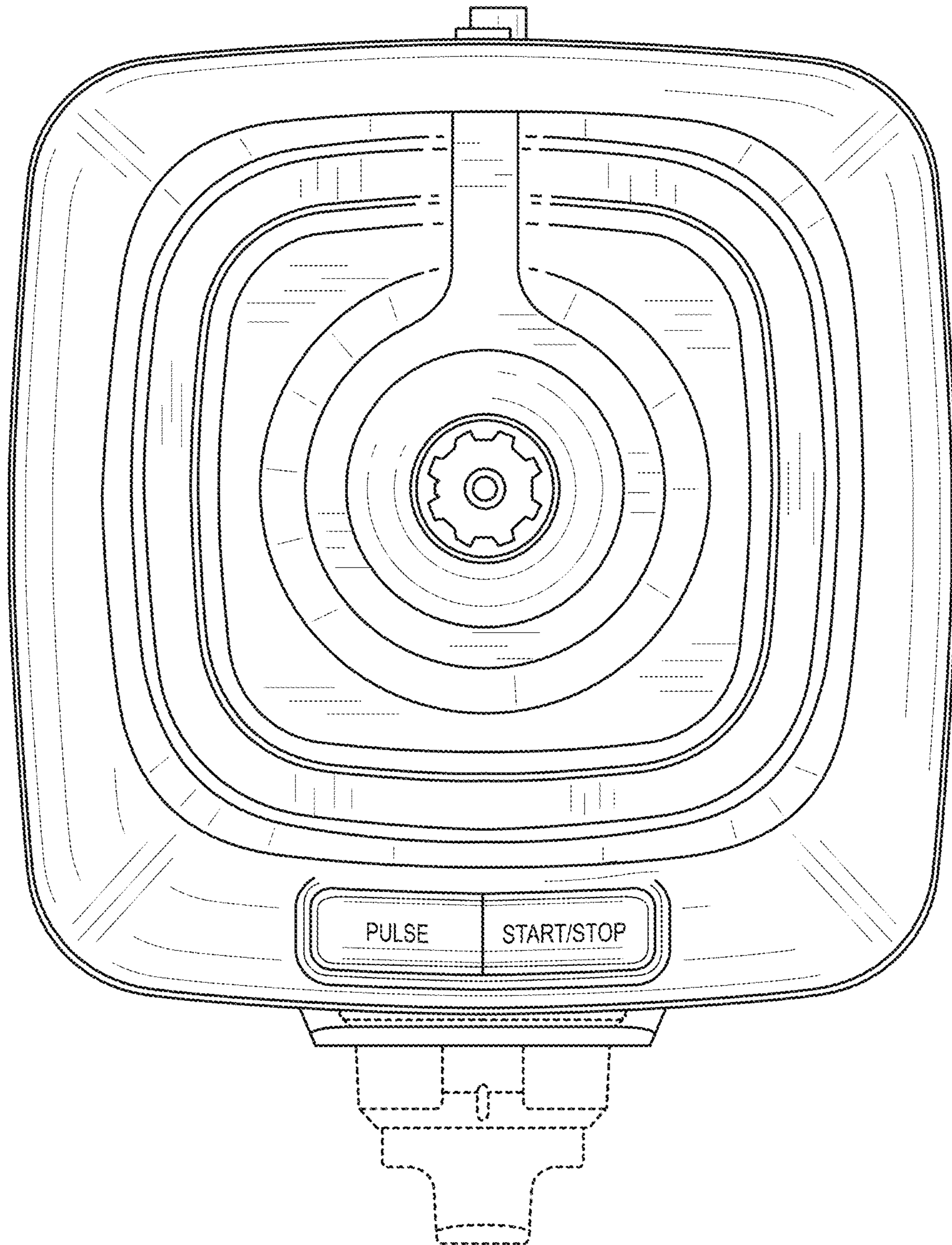
**FIG. 4**



**FIG. 5**

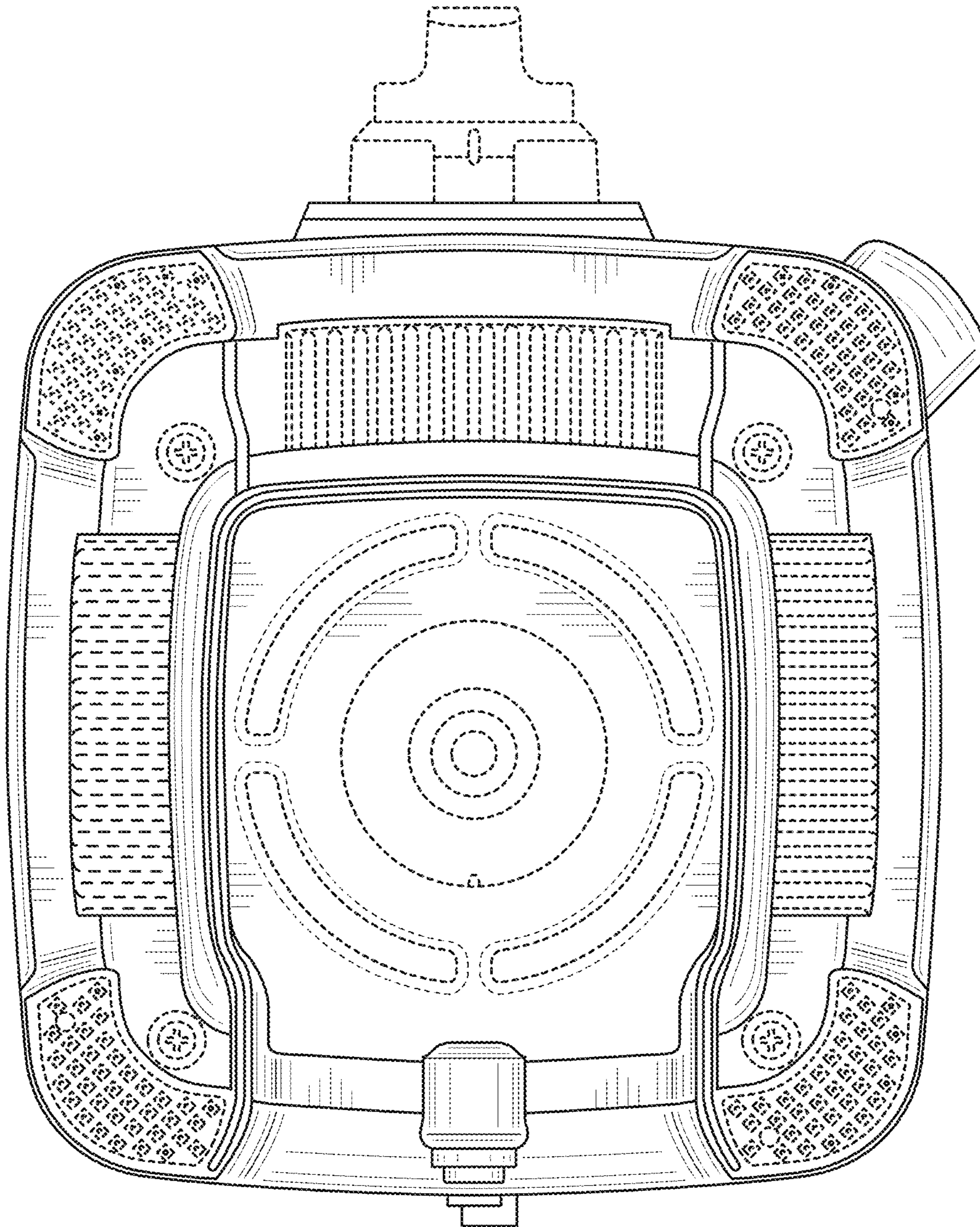


**FIG. 6**



**FIG. 7**





**FIG. 8**