



US00D761613S

(12) **United States Design Patent**
Moon et al.

(10) **Patent No.:** **US D761,613 S**
(45) **Date of Patent:** **** Jul. 19, 2016**

- (54) **ELECTRIC WOK**
- (71) Applicant: **NuWave, LLC**, Libertyville, IL (US)
- (72) Inventors: **Jung Moon**, Long Grove, IL (US);
Christopher Munns, Streamwood, IL (US)
- (73) Assignee: **NuWave, LLC**, Libertyville, IL (US)
- (**) Term: **14 Years**
- (21) Appl. No.: **29/519,344**
- (22) Filed: **Mar. 4, 2015**
- (51) **LOC (10) Cl.** **07-02**
- (52) **U.S. Cl.**
USPC **D7/360; D7/354**
- (58) **Field of Classification Search**
USPC D7/323, 354-366
CPC A23L 1/01; A23L 1/0107; A23L 1/0114;
A47J 27/00; A47J 27/004; A47J 27/08;
A47J 27/09; A47J 27/092; A47J 36/025;
A47J 36/06; A47J 36/08; A47J 36/10; A47J
36/12; A47J 36/165; A47J 36/18; A47J 36/20;
A47J 36/22; A47J 37/00; A47J 37/12; A47J
37/1204; A47J 37/1209; A47J 37/1214;
A47J 37/1219; A47J 37/1266; A47J 37/1285;
A47J 37/129; A47J 37/1295; G07F 17/0064;
G07F 17/0078; G07F 17/0085; H05B 6/02;
H05B 6/06; H05B 6/12; H05B 6/1227
See application file for complete search history.

- D436,287 S * 1/2001 Choi D7/360
- D438,422 S * 3/2001 Choi D7/355
- D453,091 S * 1/2002 Gouthiere D7/360
- D479,432 S * 9/2003 Barker D7/360
- D525,479 S * 7/2006 Olsen D7/360
- D577,247 S * 9/2008 Barnes D7/354
- D625,548 S * 10/2010 Lavy D7/366
- D667,256 S * 9/2012 Krapfl D7/354

* cited by examiner

Primary Examiner — Ricky Pham

(74) *Attorney, Agent, or Firm* — Bishop Diehl & Lee, Ltd.

(57) **CLAIM**

The ornamental design for an electric wok, as shown and described.

DESCRIPTION

FIG. 1 illustrates an isometric perspective view 100 of an electric wok according to an exemplary embodiment of the present invention.

FIG. 2 illustrates a top plan view 200 of an electric wok according to an exemplary embodiment of the present invention.

FIG. 3 illustrates a bottom plan view 300 of an electric wok according to an exemplary embodiment of the present invention.

FIG. 4 illustrates a right side elevational view 400 of an electric wok according to an exemplary embodiment of the present invention.

FIG. 5 illustrates a left side elevational view 500 of an electric wok according to an exemplary embodiment of the present invention.

FIG. 6 illustrates a front elevational view 600 of an electric wok according to an exemplary embodiment of the present invention; and,

FIG. 7 illustrates a back elevational view 700 of an electric wok according to an exemplary embodiment of the present invention.

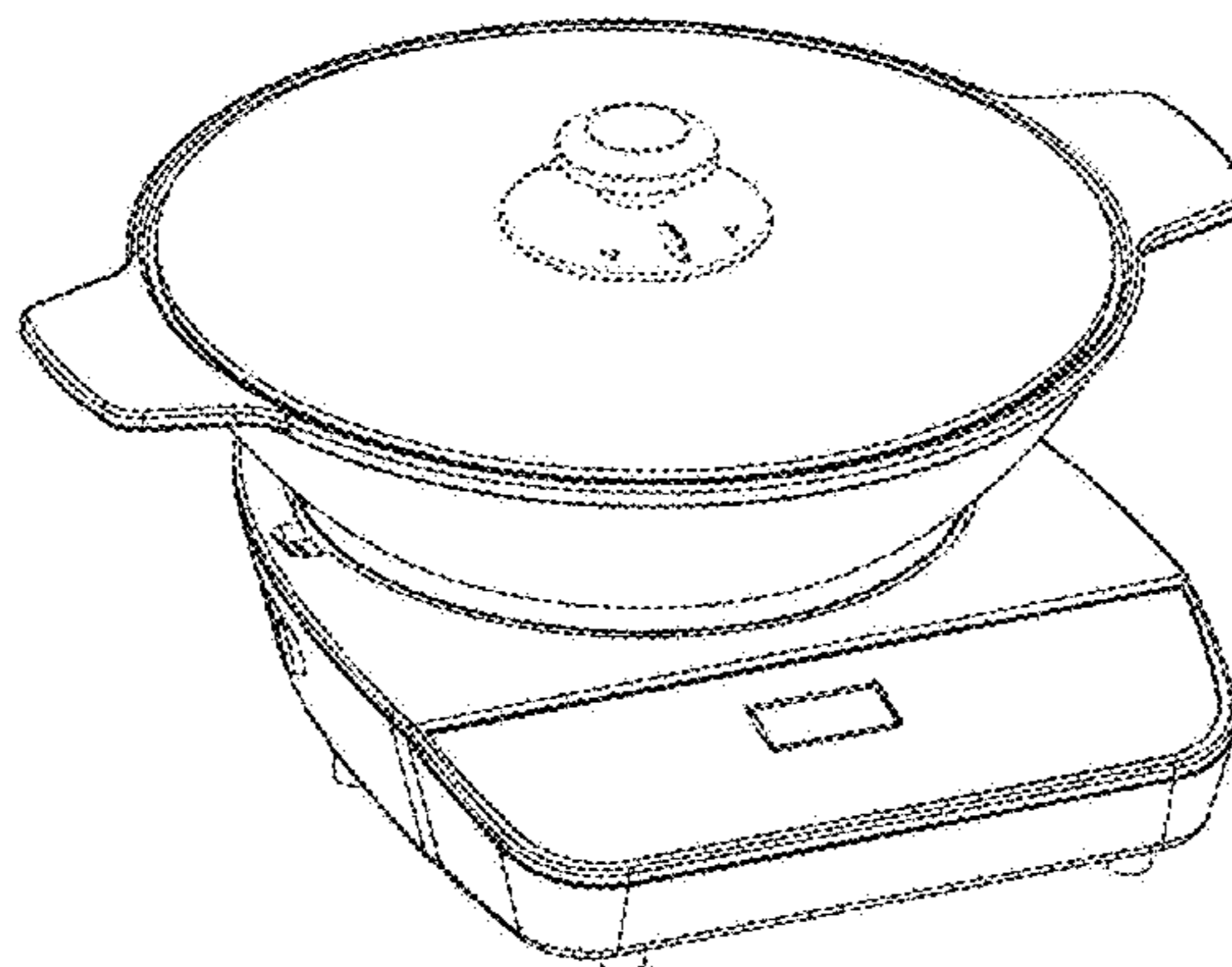
The broken lines shown in the drawings are for illustrative purposes only and form no part of the claimed design.

1 Claim, 5 Drawing Sheets

(56) **References Cited**
U.S. PATENT DOCUMENTS

- D269,319 S * 6/1983 Fox D7/355
- D276,493 S * 11/1984 Cesaroni D7/355
- 4,492,853 A * 1/1985 Lam A47J 27/004
219/430
- 4,555,616 A * 11/1985 O'Brien A47J 27/004
219/430
- 5,687,642 A * 11/1997 Chao H05B 6/1227
219/624

100



100

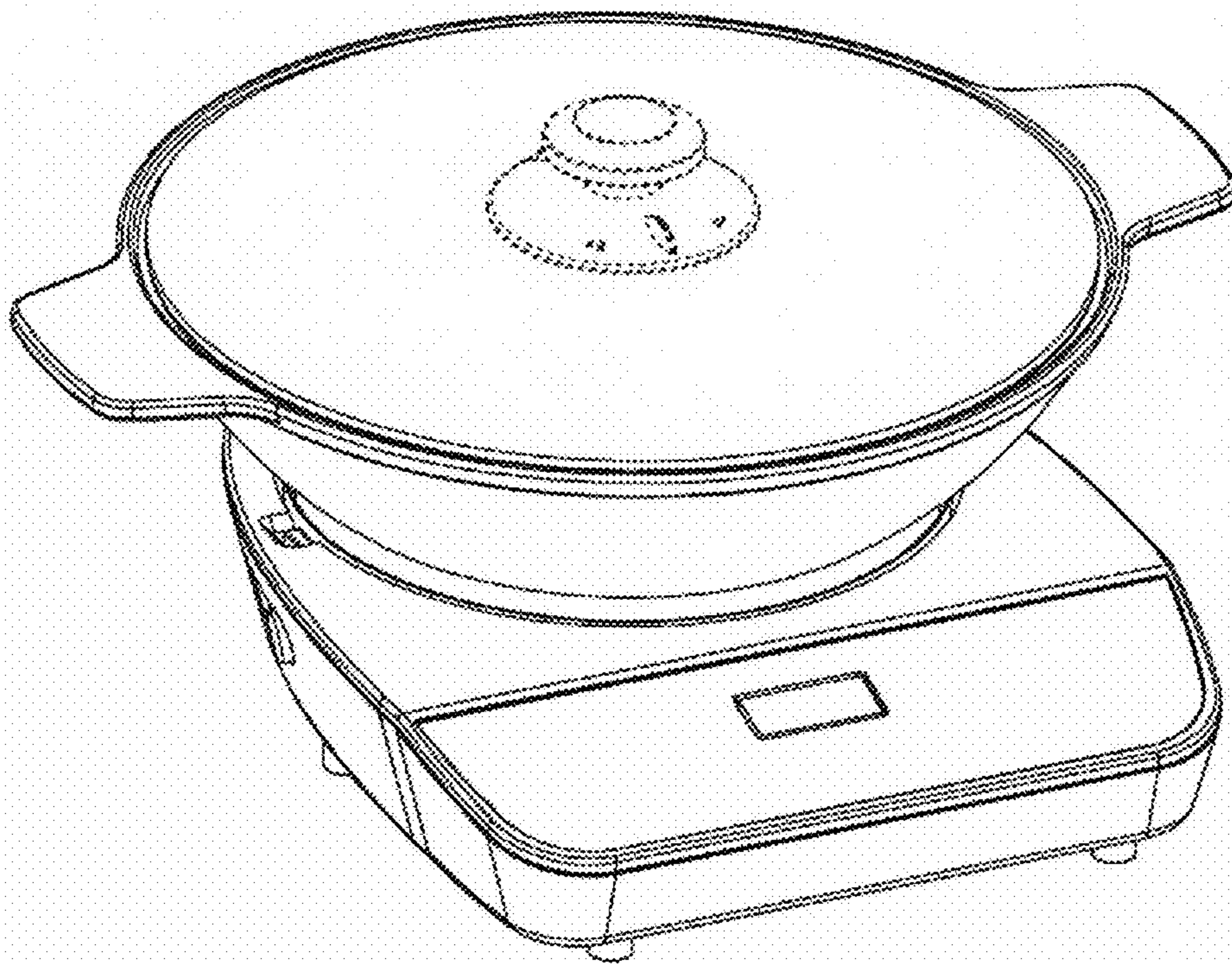


FIG. 1

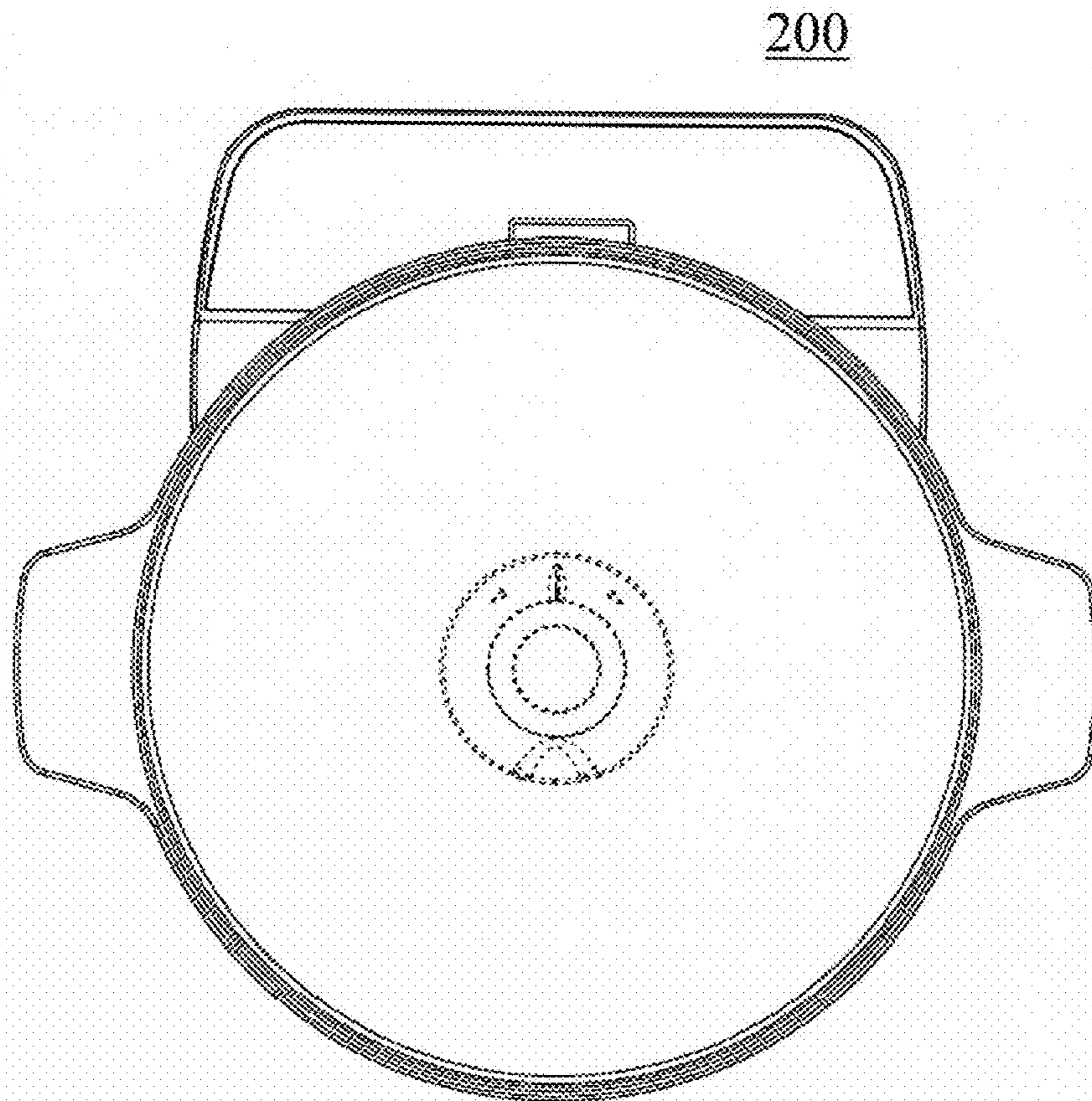
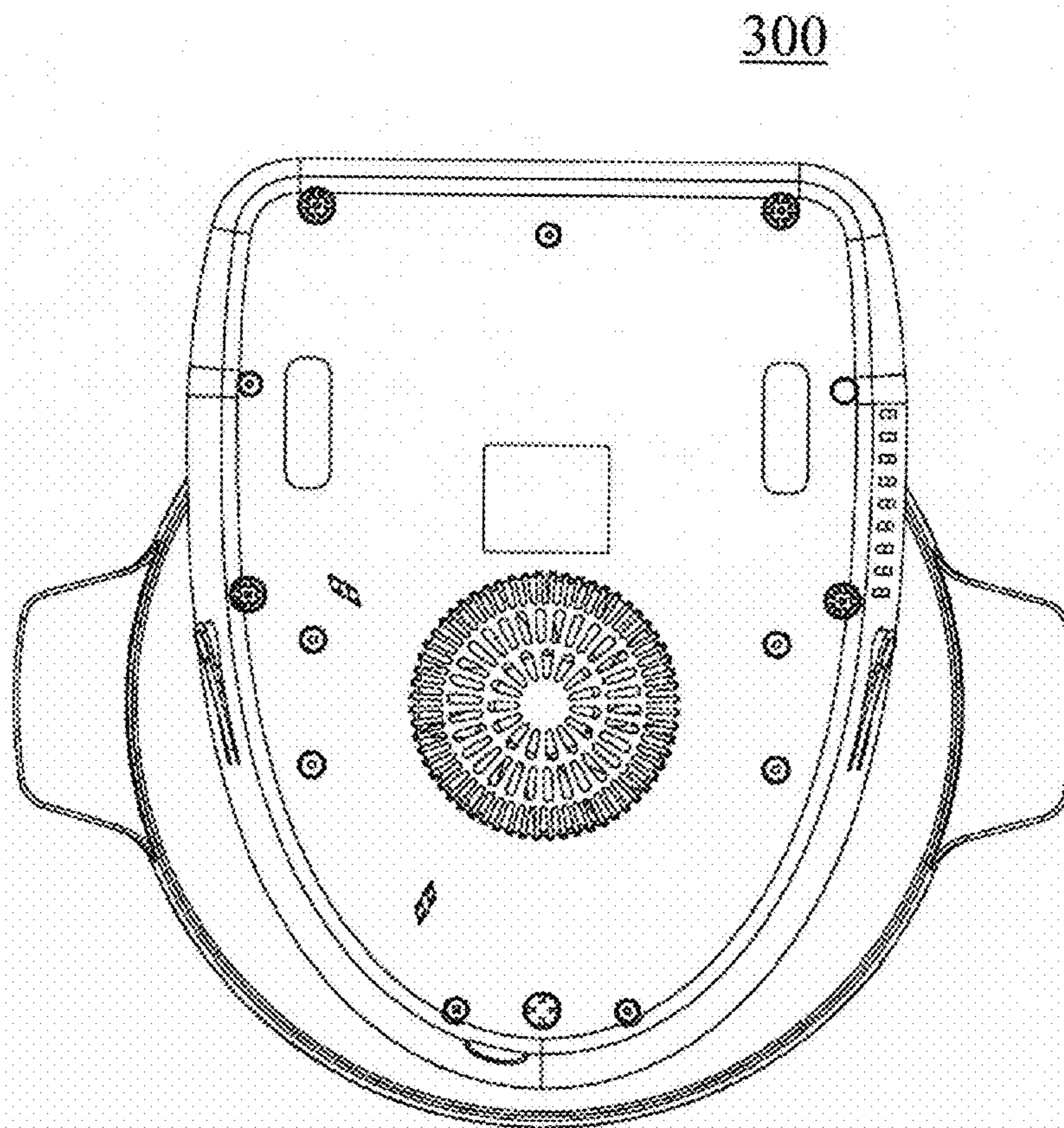


FIG. 2



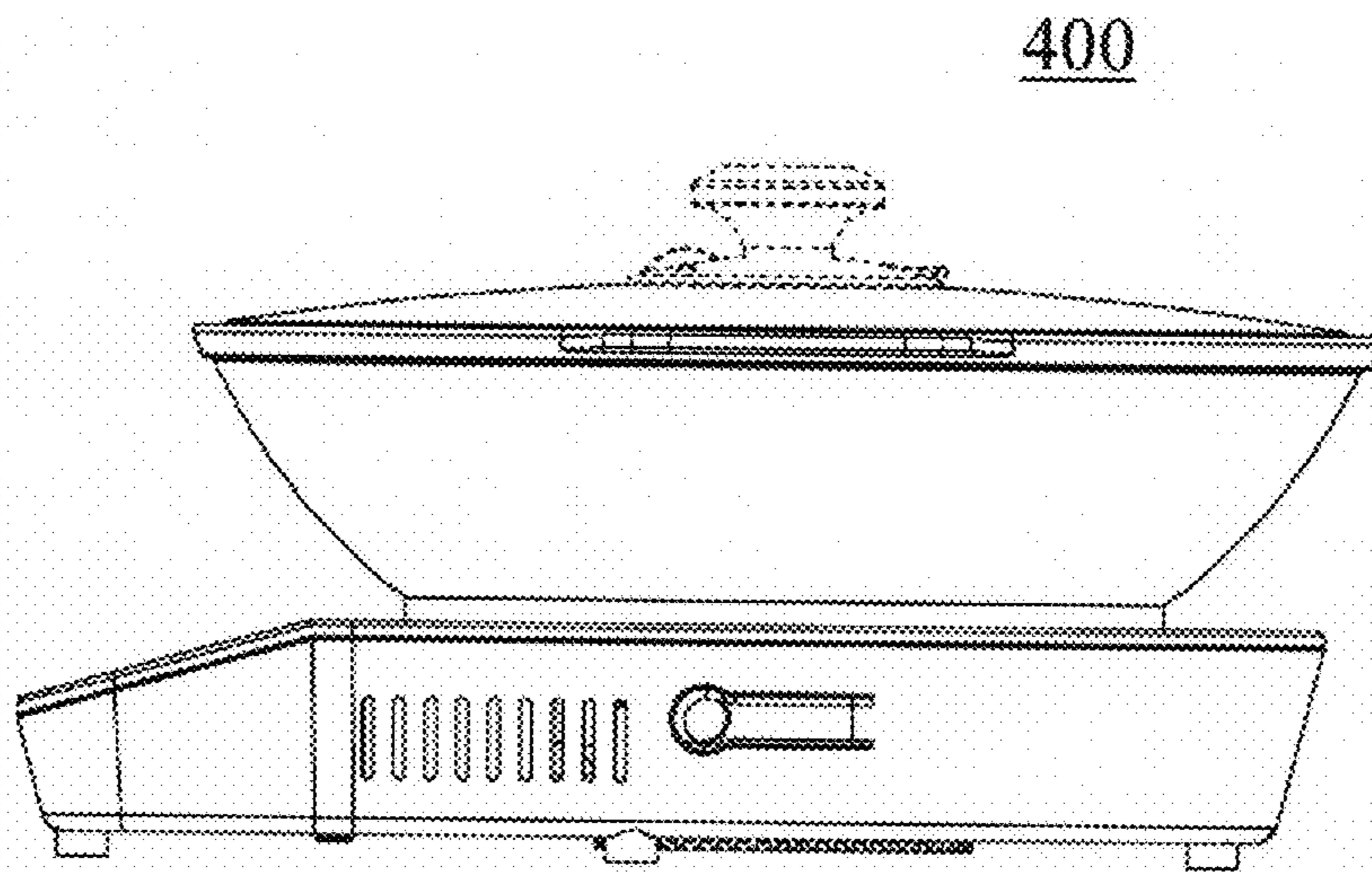


FIG. 4

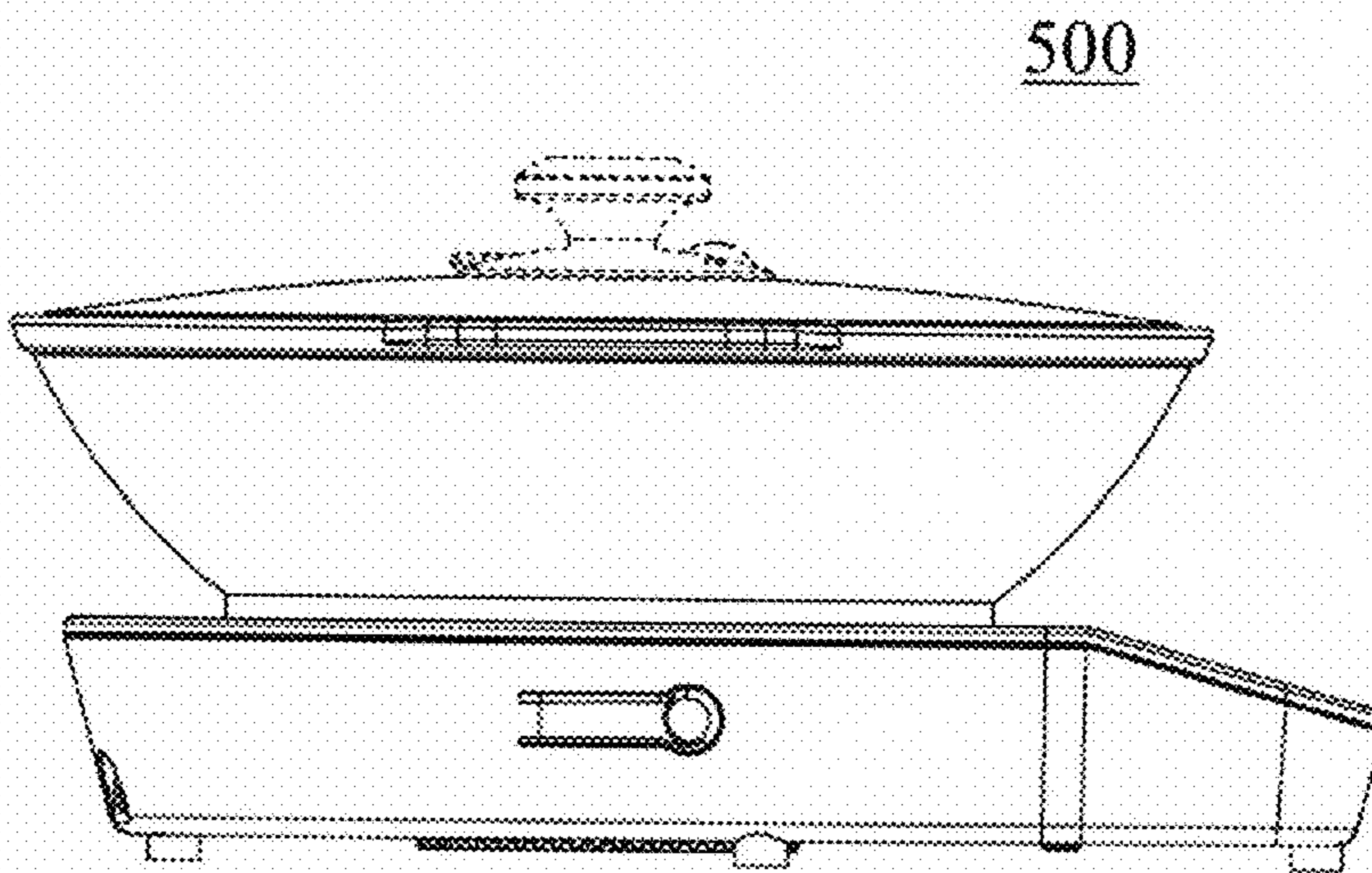


FIG. 5

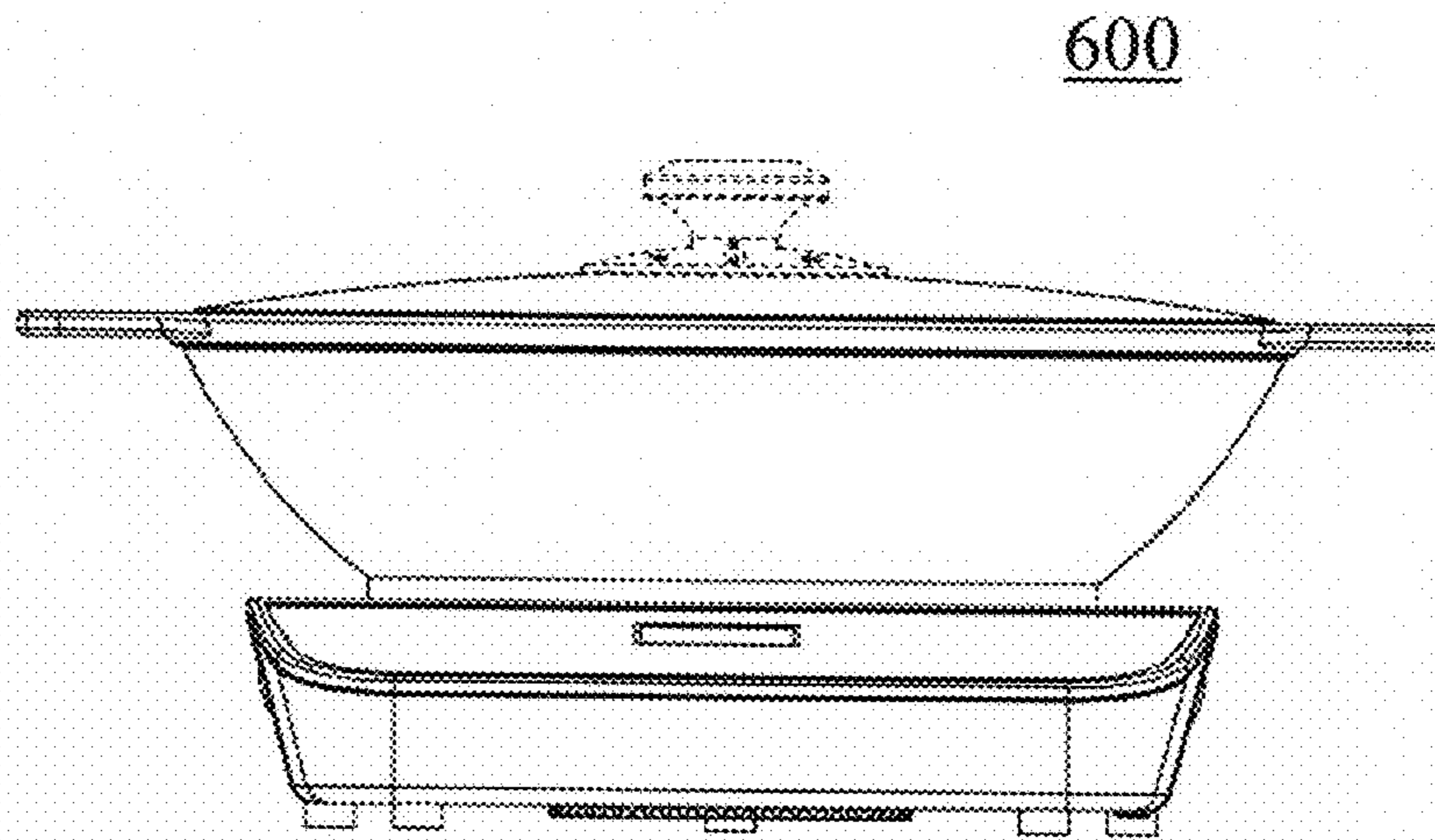


FIG. 6

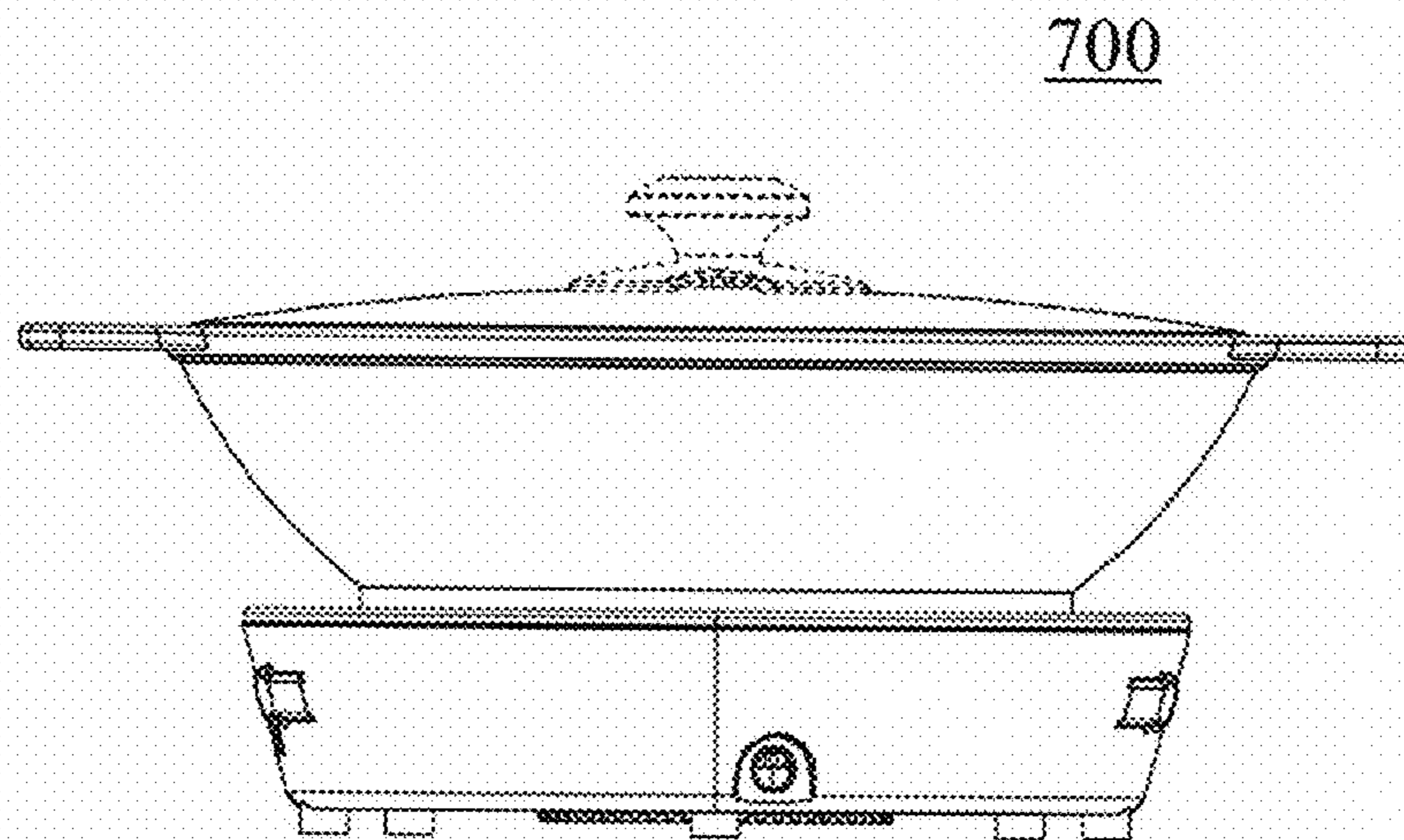


FIG. 7