

US00D761612S

(12) **United States Design Patent**
Darnell et al.

(10) **Patent No.:** **US D761,612 S**
(45) **Date of Patent:** **** Jul. 19, 2016**

- (54) **FOOD PREPARATION DEVICE**
- (71) Applicants: **Donald Lee Darnell**, Auburn, CA (US);
Jeffrey C. Browning, Charlotte, NC
(US); **Juan Carlos Perez**, Charlotte, NC
(US)
- (72) Inventors: **Donald Lee Darnell**, Auburn, CA (US);
Jeffrey C. Browning, Charlotte, NC
(US); **Juan Carlos Perez**, Charlotte, NC
(US)
- (73) Assignee: **Donald Lee Darnell**, Auburn, CA (US)
- (**) Term: **14 Years**
- (21) Appl. No.: **29/501,125**
- (22) Filed: **Sep. 2, 2014**
- (51) **LOC (10) Cl.** **07-02**
- (52) **U.S. Cl.**
USPC **D7/354**
- (58) **Field of Classification Search**
USPC D7/323, 354–363, 391, 393–396, 409
CPC A47G 19/06; A47G 19/12; A47J 19/04;
A47J 27/00; A47J 27/002; A47J 27/08;
A47J 27/21; A47J 27/58; A47J 36/025;
A47J 36/06; A47J 36/12; A47J 37/00; A47J
37/0704; A47J 37/10; A47J 37/101; A47J
37/103; A47J 37/12; A47J 37/1204; A47J
45/061; A47J 45/071; A47J 45/08; B26D
3/08; B26D 3/18; B26D 3/26; H05B 6/12
See application file for complete search history.

5,947,016	A *	9/1999	Repac	B26D 3/18 83/437.2
6,401,605	B1 *	6/2002	Repac	A47J 19/06 83/437.2
7,150,214	B2 *	12/2006	Repac	A47J 19/04 241/168
D584,915	S	1/2009	Brown		
2012/0298676	A1	11/2012	Cooks		
2014/0099411	A1	4/2014	Darnell		

OTHER PUBLICATIONS

“Microwave S’mores Machine” (<http://www.geekologie.com/2009/12/seen-it-all-now-microwave-smor.php>), accessed Aug. 8, 2014 (3 pages).

* cited by examiner

Primary Examiner — Ricky Pham

(57) **CLAIM**

The ornamental design for a food preparation device, as shown.

DESCRIPTION

FIG. 1 is a top perspective view of a design for a food preparation device in accordance with a preferred embodiment of the present invention;

FIG. 2 is a bottom perspective view of the design for a food preparation device of FIG. 1;

FIG. 3 is a front view of the design for a food preparation device of FIG. 1;

FIG. 4 is a left side view of the design for a food preparation device of FIG. 1;

FIG. 5 is a right side view of the design for a food preparation device of FIG. 1;

FIG. 6 is a rear view of the design for a food preparation device of FIG. 1;

FIG. 7 is a top view of the design for a food preparation device of FIG. 1; and,

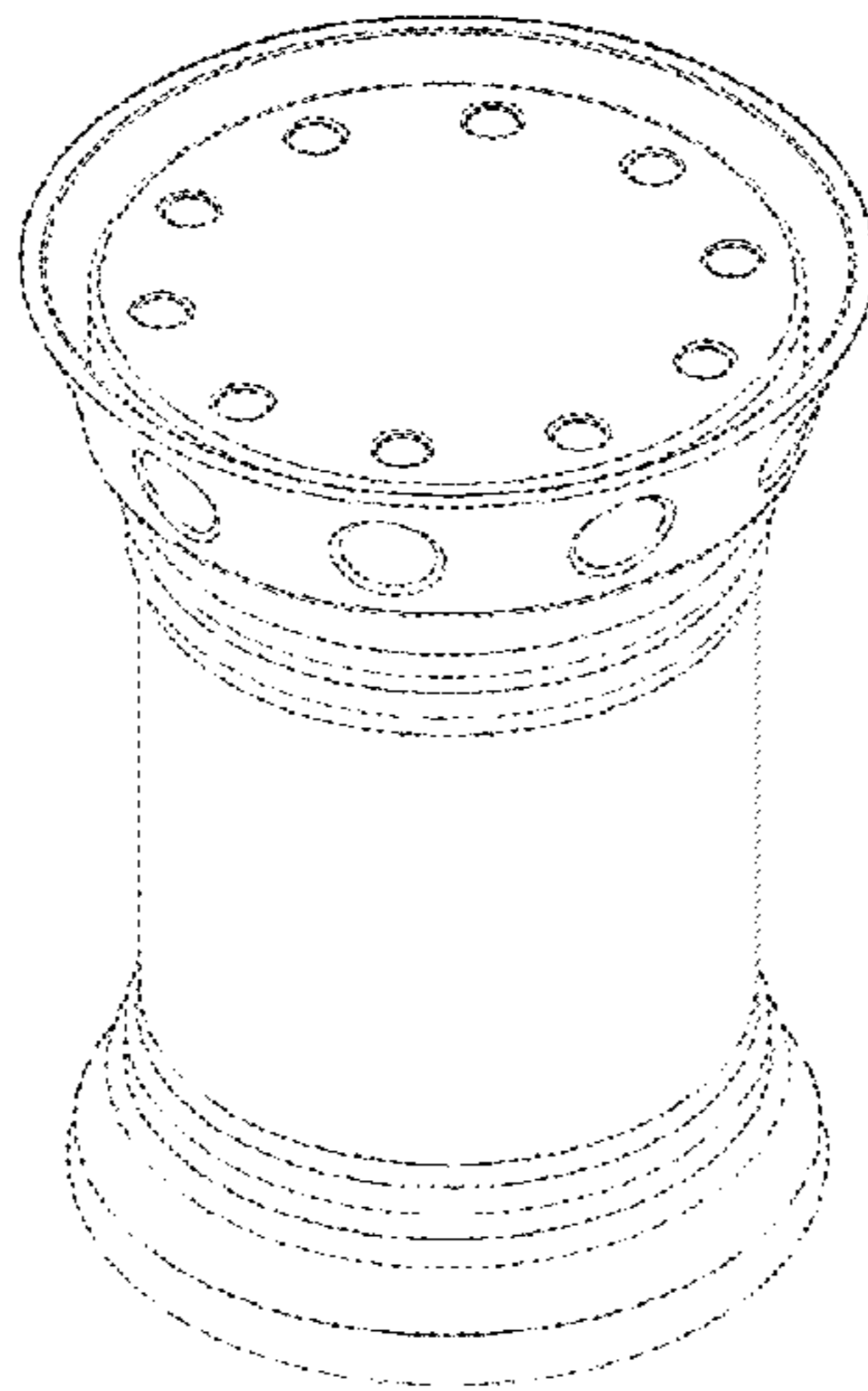
FIG. 8 is a bottom view of the design for a food preparation device of FIG. 1.

1 Claim, 8 Drawing Sheets

(56) **References Cited**

U.S. PATENT DOCUMENTS

2,722,883	A *	11/1955	Rignell	A47J 37/0704 126/25 R
4,569,280	A *	2/1986	D’Ambro	B26D 3/26 83/435.15
5,771,771	A *	6/1998	Gagliardi, Jr.	B26D 3/08 83/620



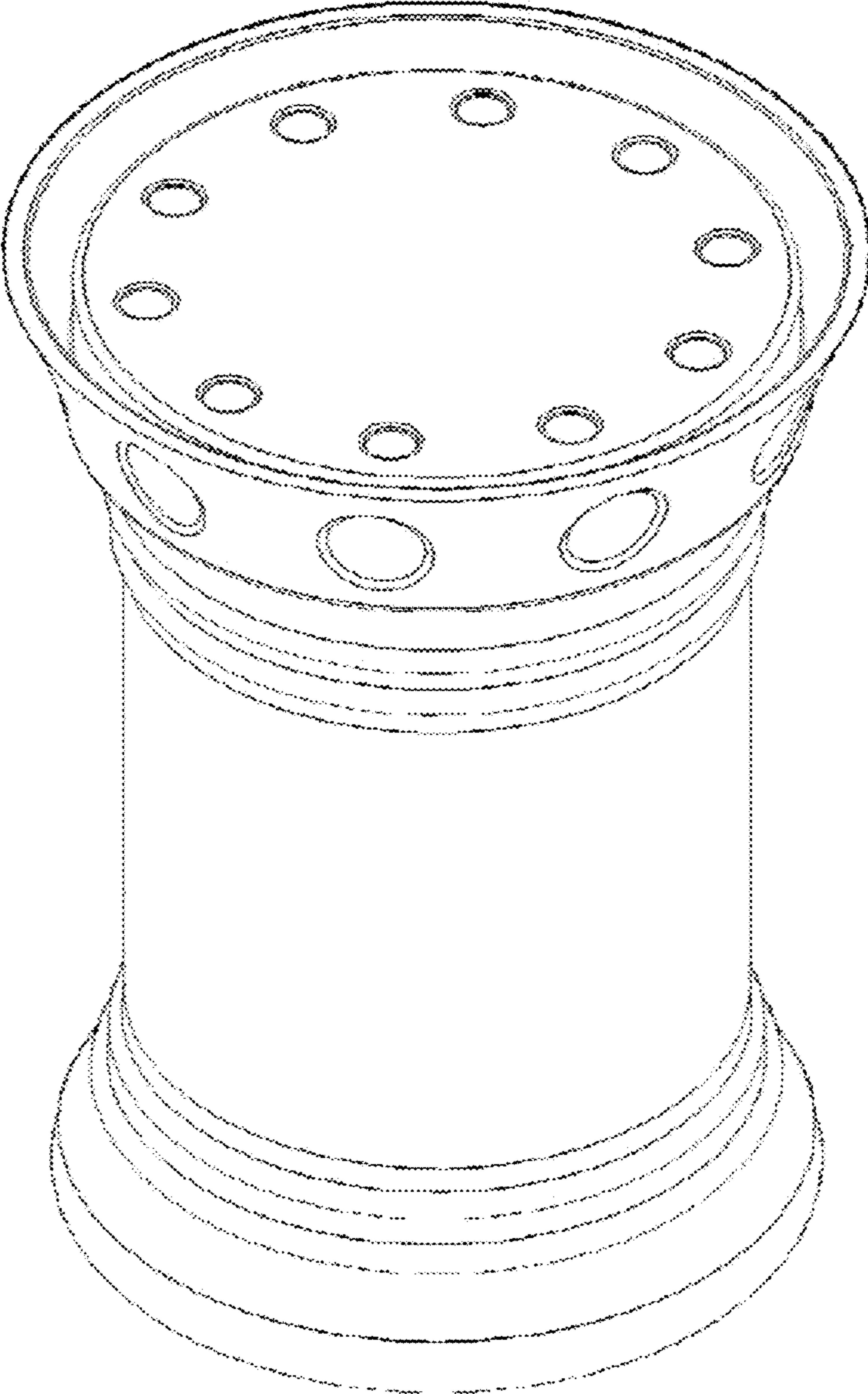


FIG. 1

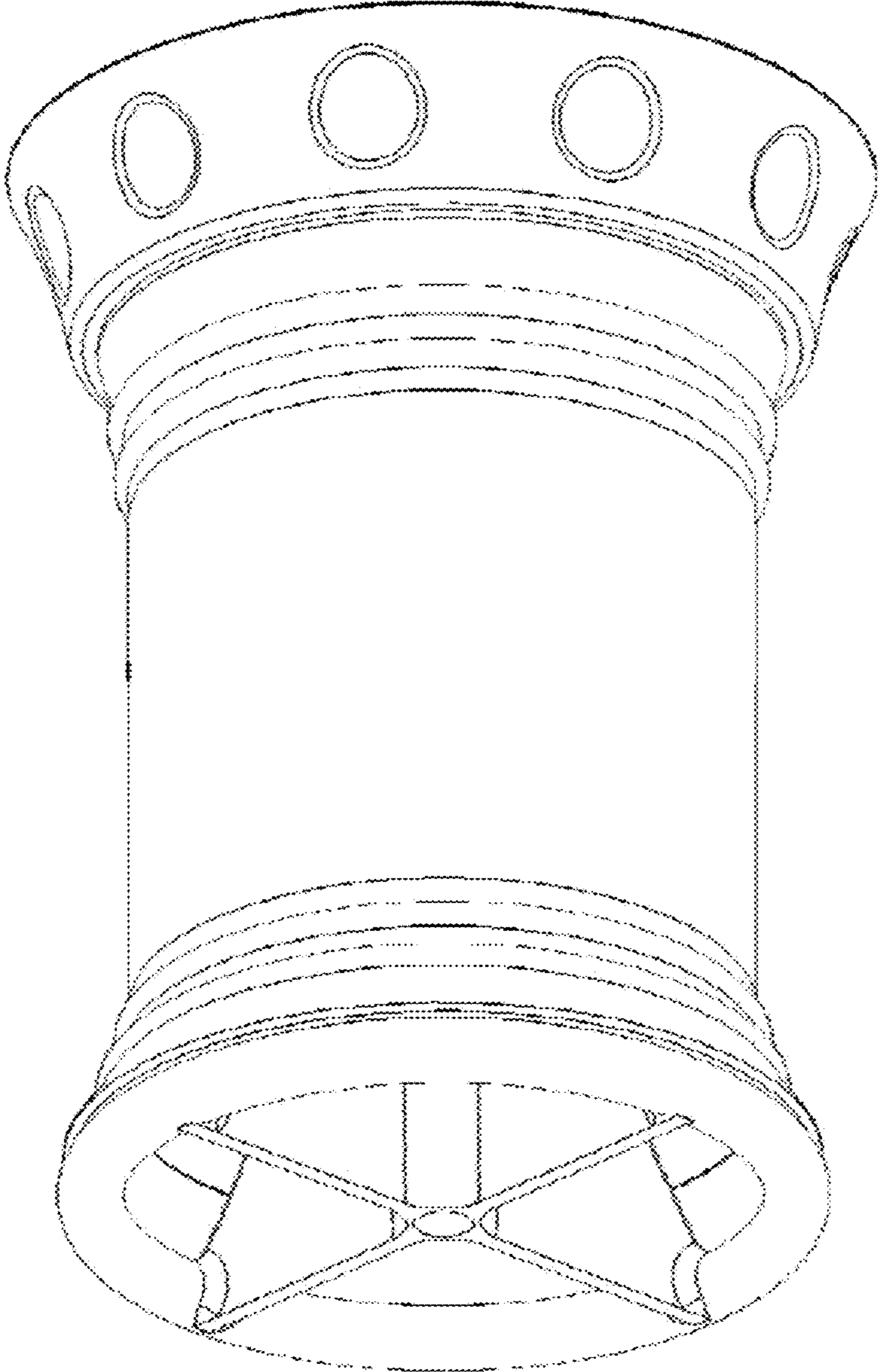


FIG. 2

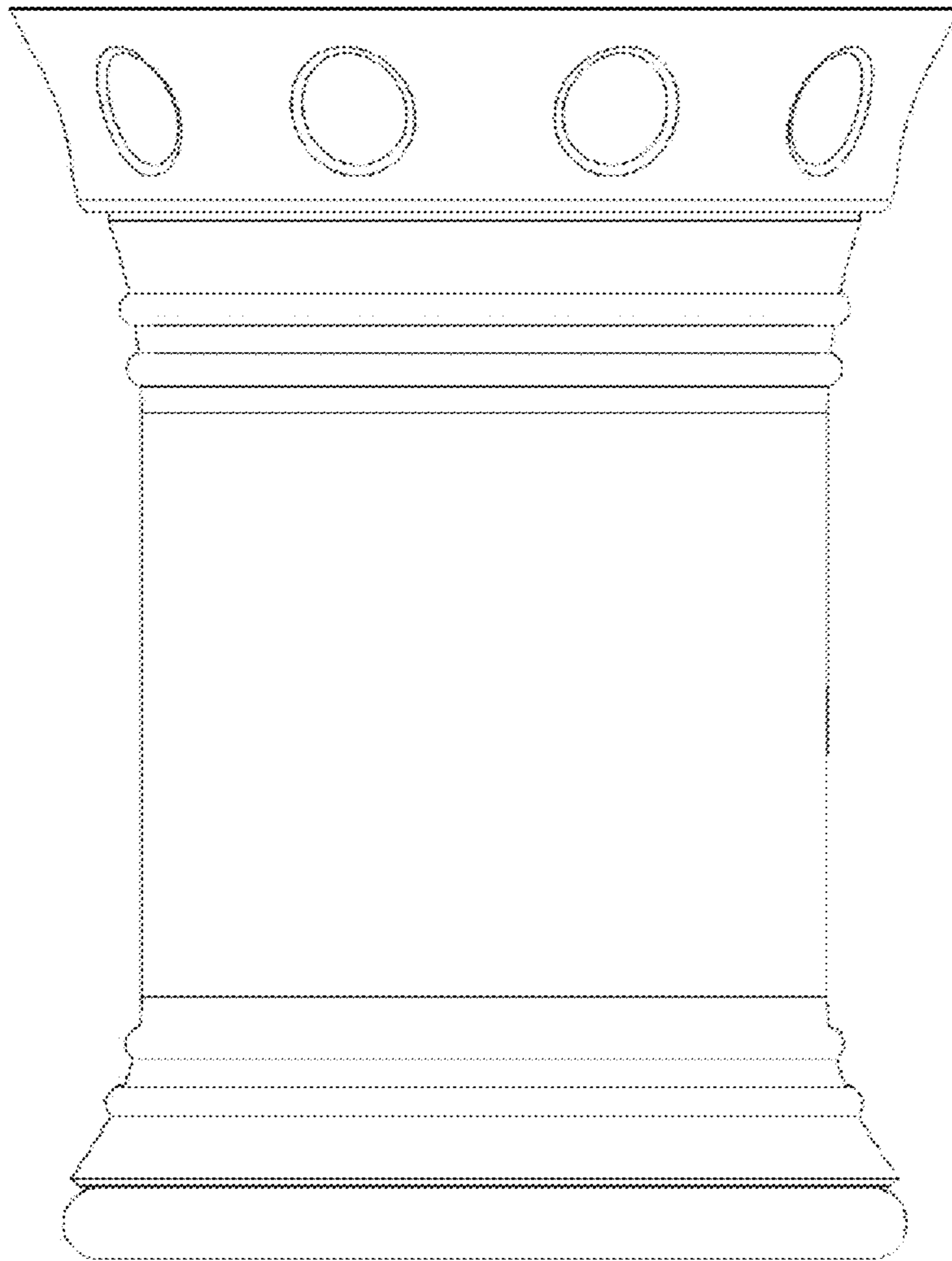


FIG. 3

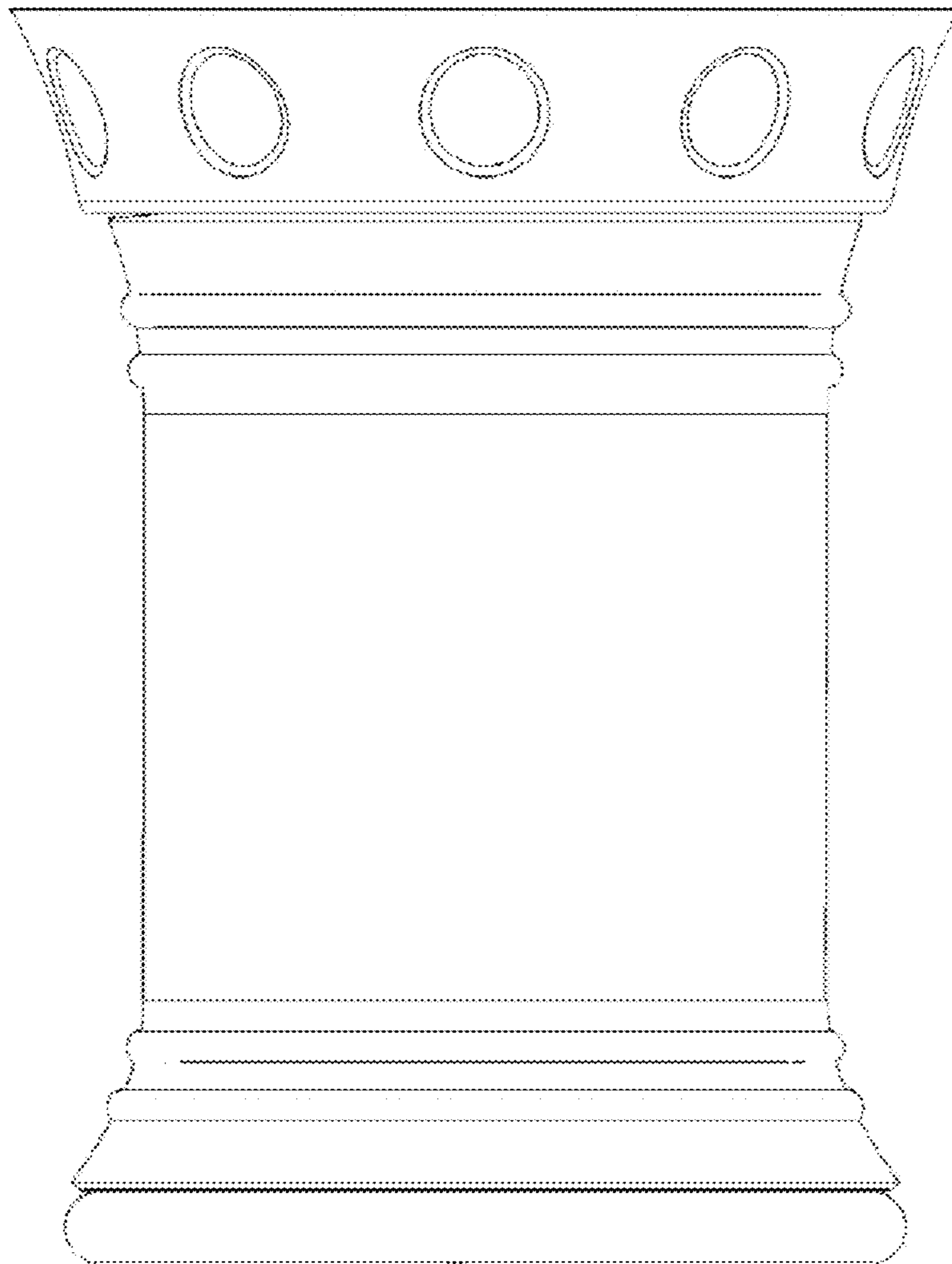


FIG. 4

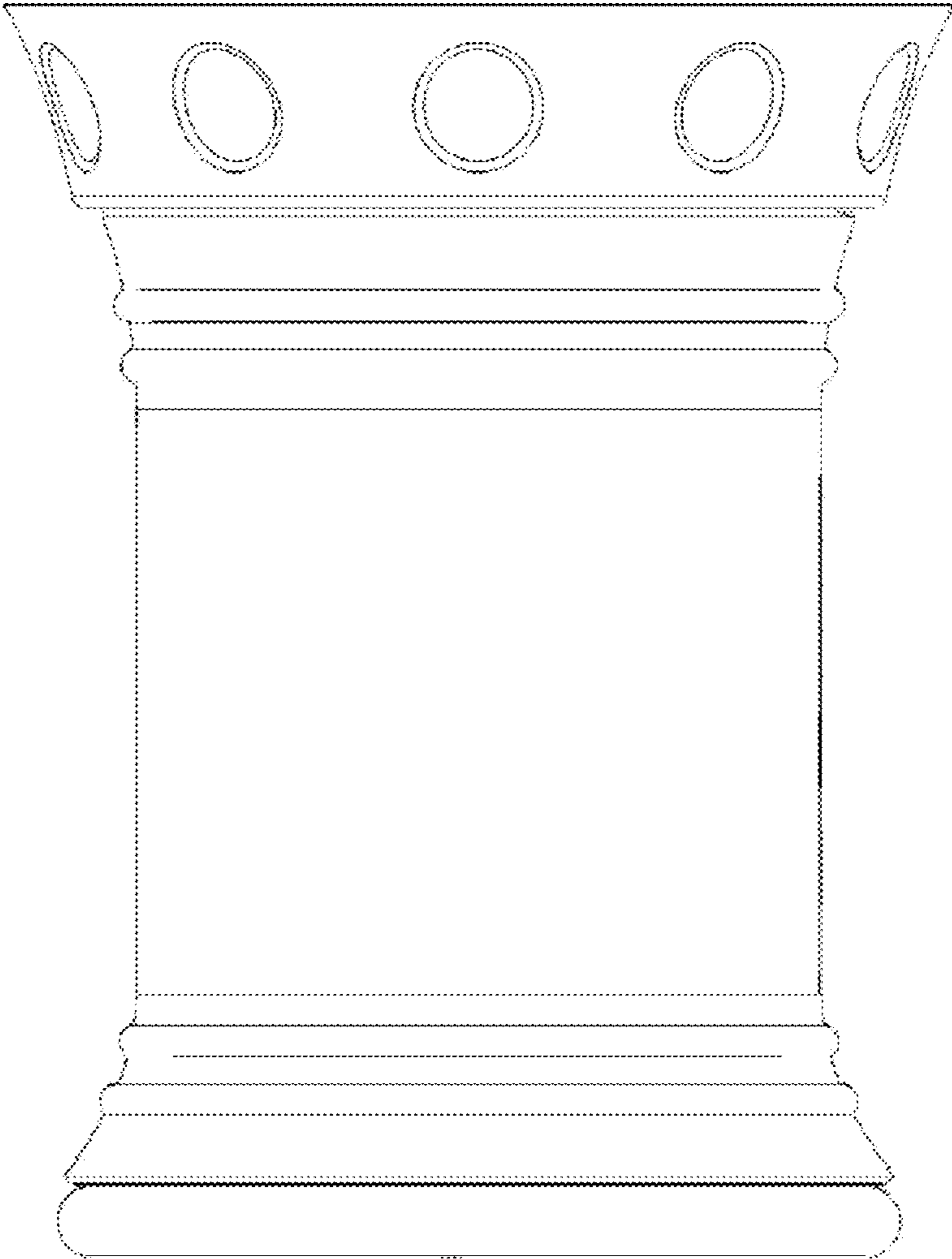


FIG. 5

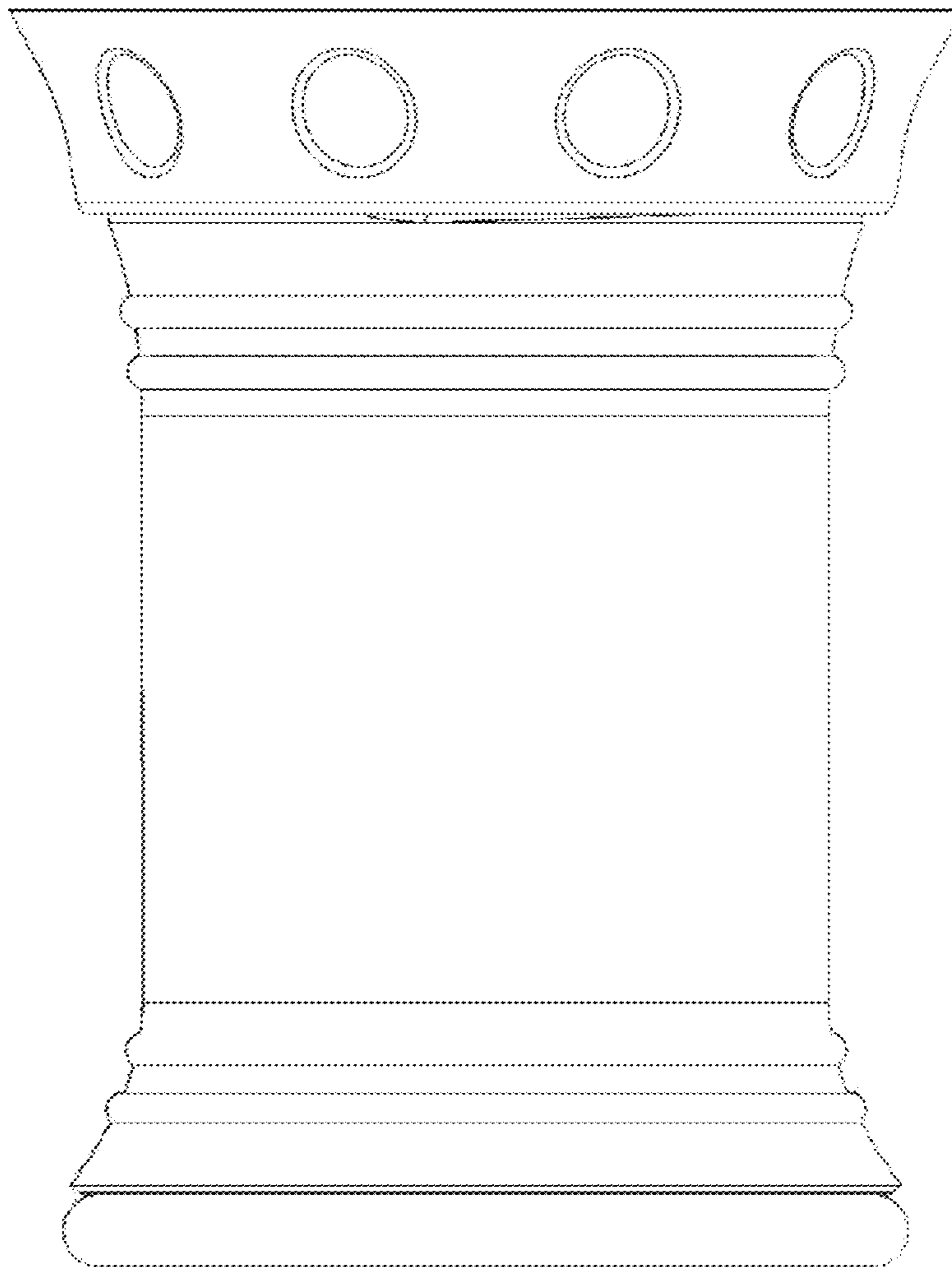


FIG. 6

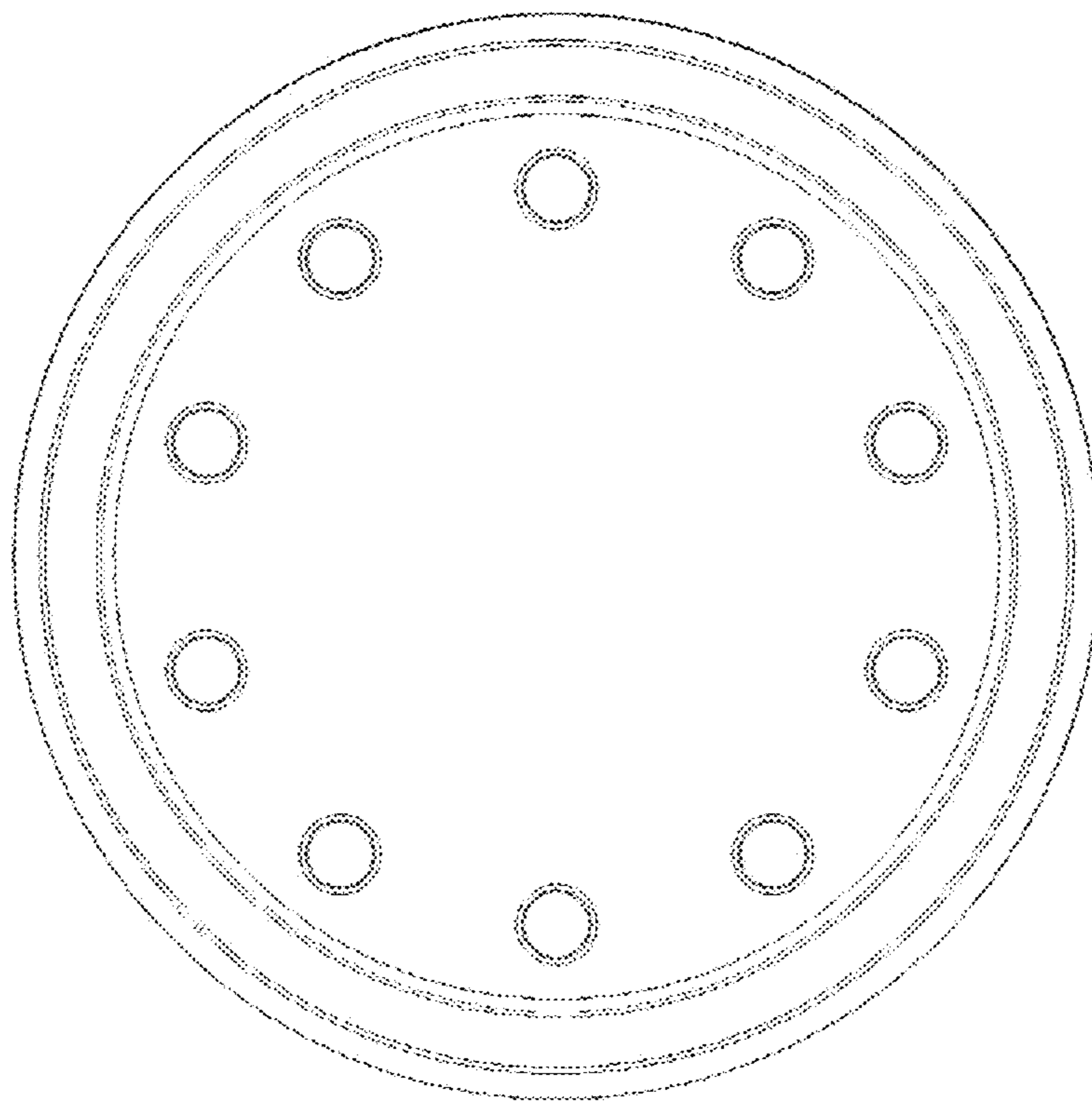


FIG. 7

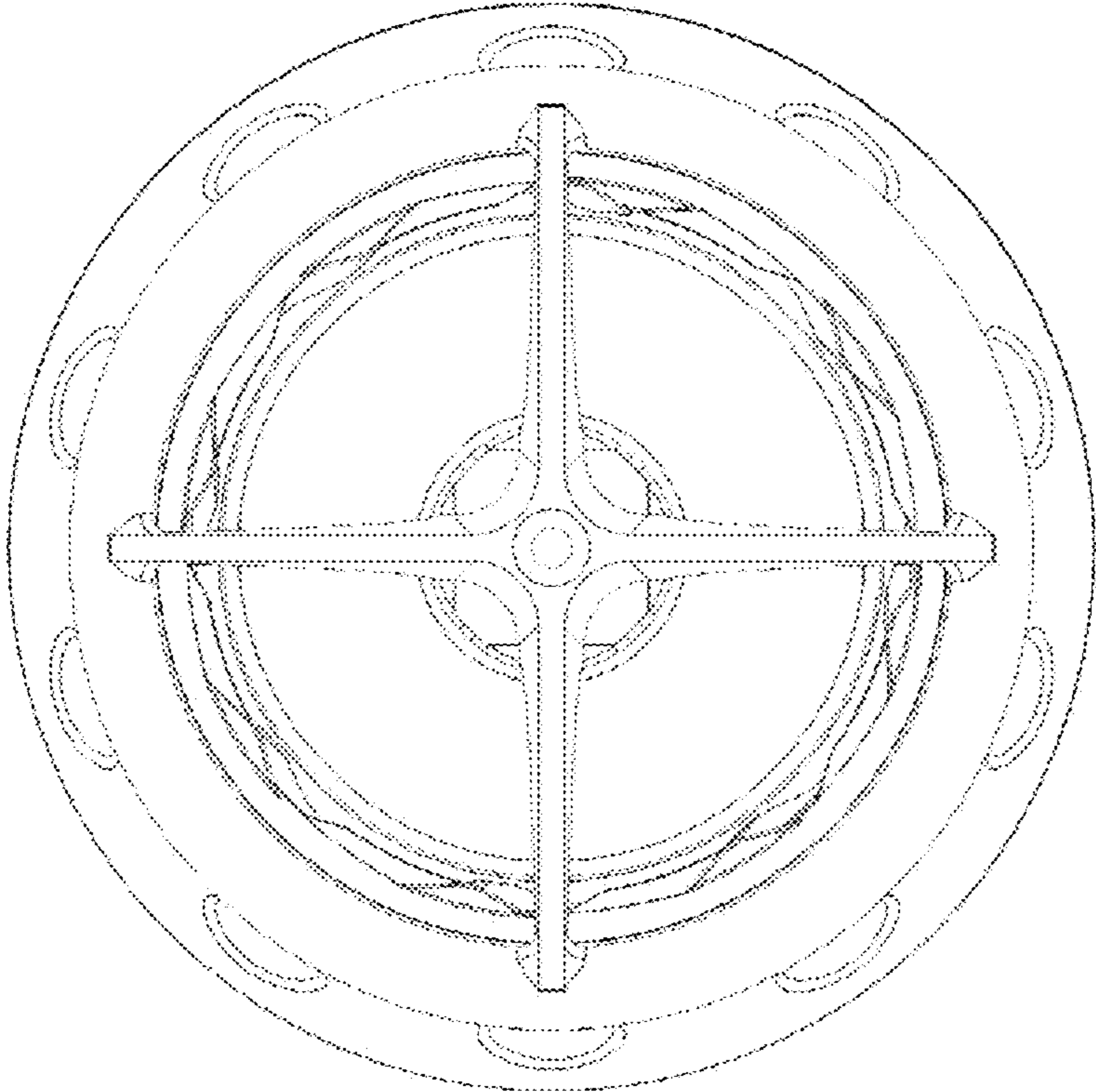


FIG. 8