

US00D761610S

(12) **United States Design Patent**
Carpenter et al.

(10) **Patent No.:** **US D761,610 S**
(45) **Date of Patent:** **** *Jul. 19, 2016**

(54) **TOASTER**

(56) **References Cited**

(71) Applicant: **Whirlpool Corporation**, Benton Harbor, MI (US)

(72) Inventors: **Christopher L. Carpenter**, Pearisburg, VA (US); **Christopher A. Gregory**, St. Joseph, MI (US)

(73) Assignee: **Whirlpool Corporation**, Benton Harbor, MI (US)

(*) Notice: This patent is subject to a terminal disclaimer.

(**) Term: **14 Years**

(21) Appl. No.: **29/517,520**

(22) Filed: **Feb. 13, 2015**

(51) **LOC (10) Cl.** **07-02**

(52) **U.S. Cl.**
USPC **D7/330**

(58) **Field of Classification Search**
USPC D7/323, 328-330, 390
CPC A21B 2/00; A47J 37/00; A47J 37/06;
A47J 37/0611; A47J 37/08; A47J 37/0807;
A47J 37/0814; A47J 37/0835; A47J 37/0842;
A47J 37/085; A47J 37/0864; A47J 37/0878;
A47J 37/0885; A47J 37/0892; F24C 15/10;
F24C 15/102

See application file for complete search history.

U.S. PATENT DOCUMENTS

D472,421 S *	4/2003	To	D7/330
D473,093 S *	4/2003	To	D7/330
D490,267 S *	5/2004	Berthier	D7/330
D509,702 S *	9/2005	Picozza	D7/330
D520,801 S *	5/2006	Cuffaro	D7/330
D548,512 S *	8/2007	Nakatani	D7/330
D553,421 S *	10/2007	Kim	D7/330
D567,570 S *	4/2008	O'Loughlin	D7/330
D640,893 S *	7/2011	Lindquist	D7/330
D688,509 S *	8/2013	Carlson	D7/330
D701,720 S *	4/2014	Palermo	D7/330
D746,093 S *	12/2015	Bazzicalupo	D7/330
D746,624 S *	1/2016	Sun	D7/330

* cited by examiner

Primary Examiner — Ricky Pham

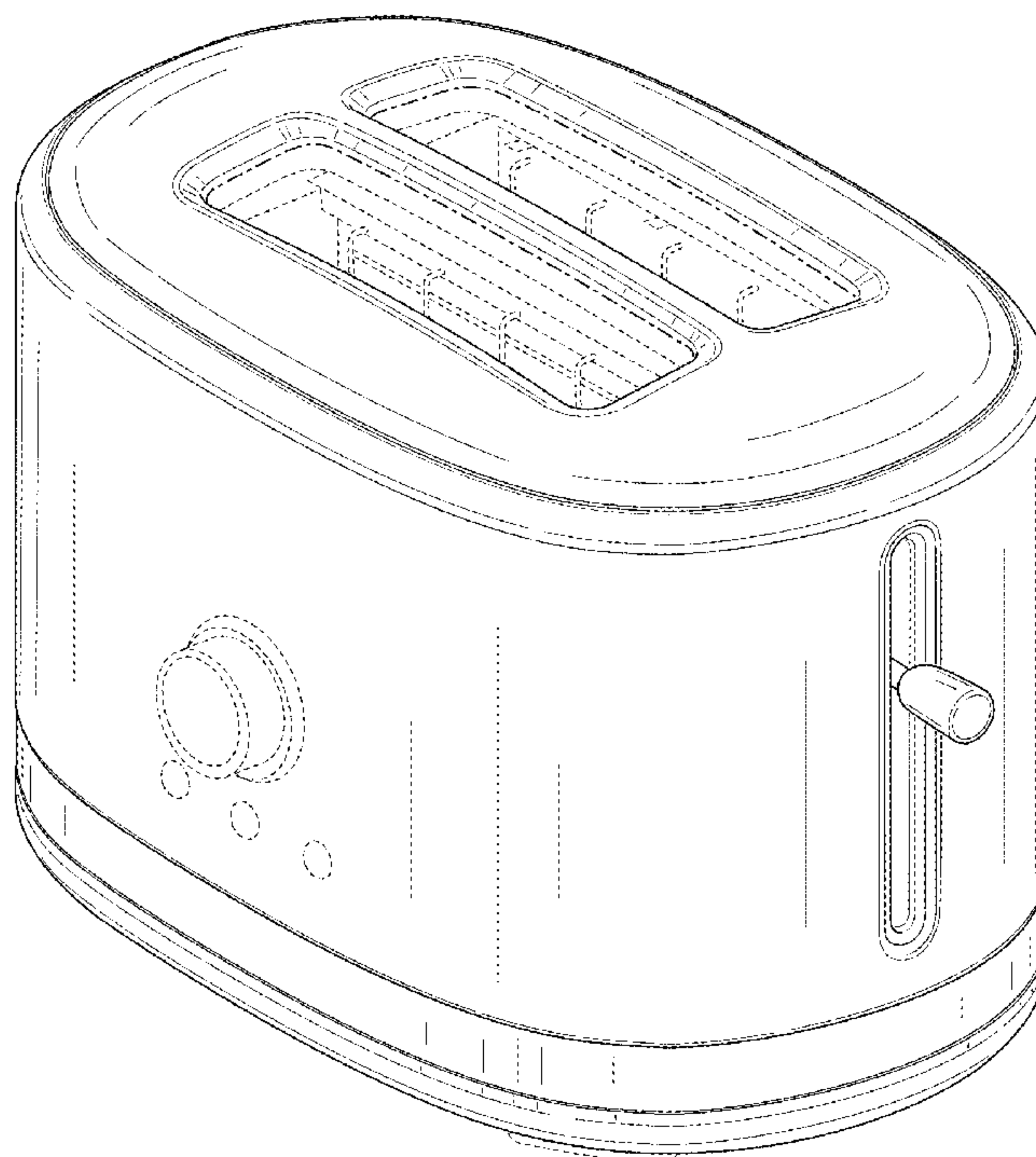
(57) **CLAIM**

We claim the ornamental design for a toaster, as shown and described.

DESCRIPTION

FIG. 1 is a front perspective view of a toaster showing our new design;
FIG. 2 is a front elevational view of the toaster of FIG. 1;
FIG. 3 is a rear elevational view of the toaster of FIG. 1;
FIG. 4 is a first side elevational view of the toaster of FIG. 1;
FIG. 5 is a second side elevational view of the toaster of FIG. 1;
FIG. 6 is a top plan view of the toaster of FIG. 1; and,
FIG. 7 is a bottom plan view of the toaster of FIG. 1.
The broken lines shown in the drawings are for illustrative purposes only and form no part of the claimed design.

1 Claim, 6 Drawing Sheets



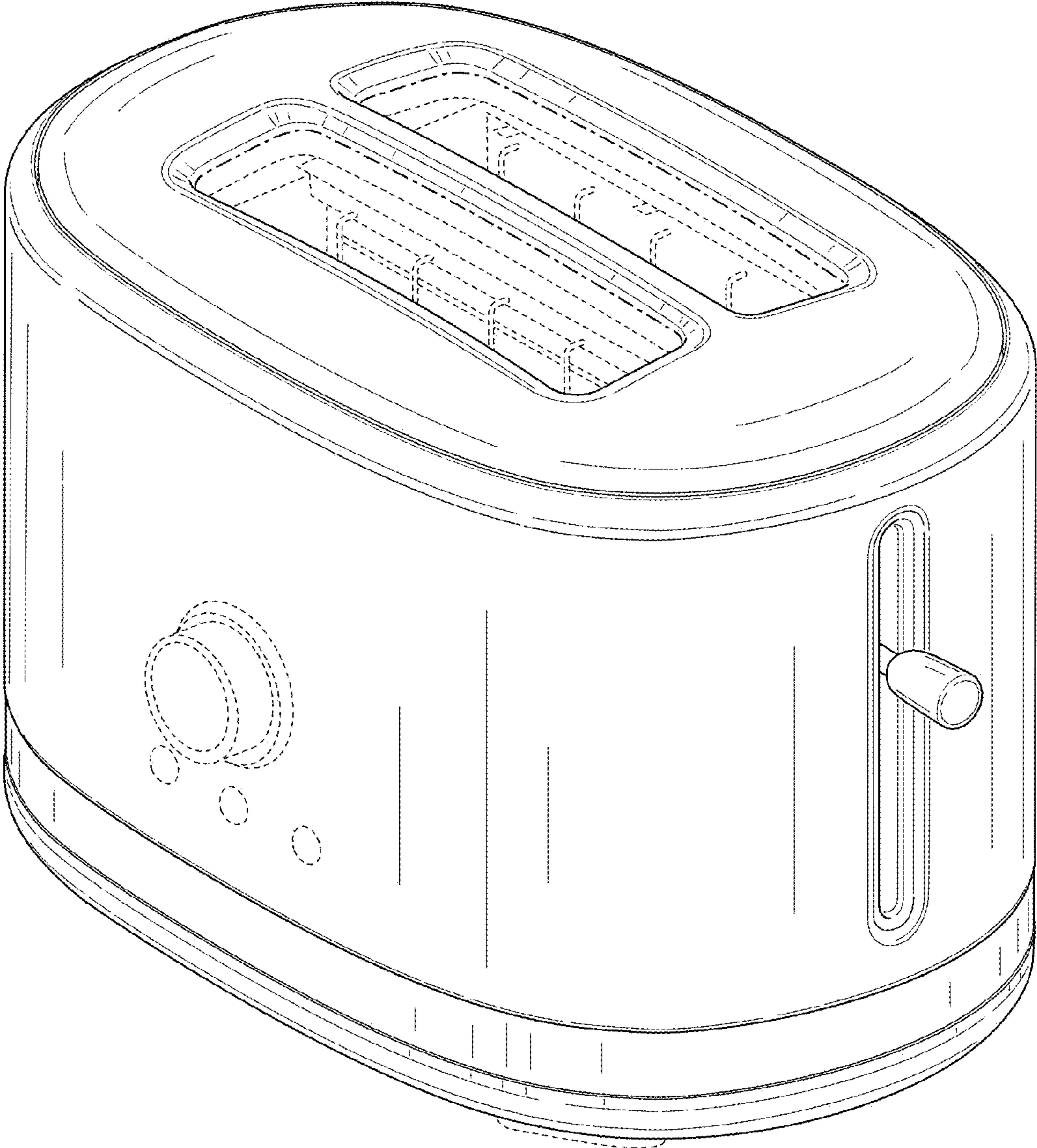


FIG. 1

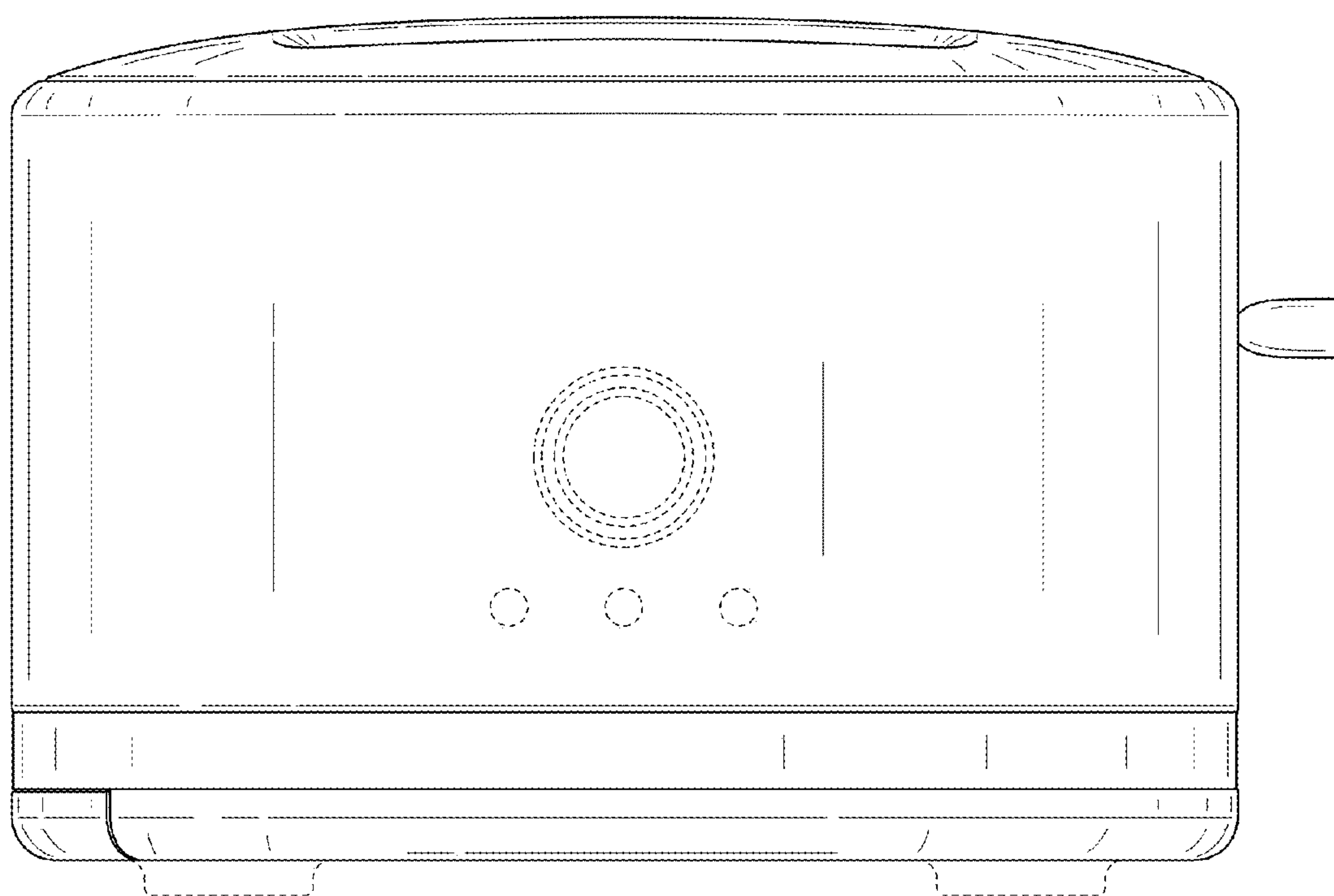


FIG. 2

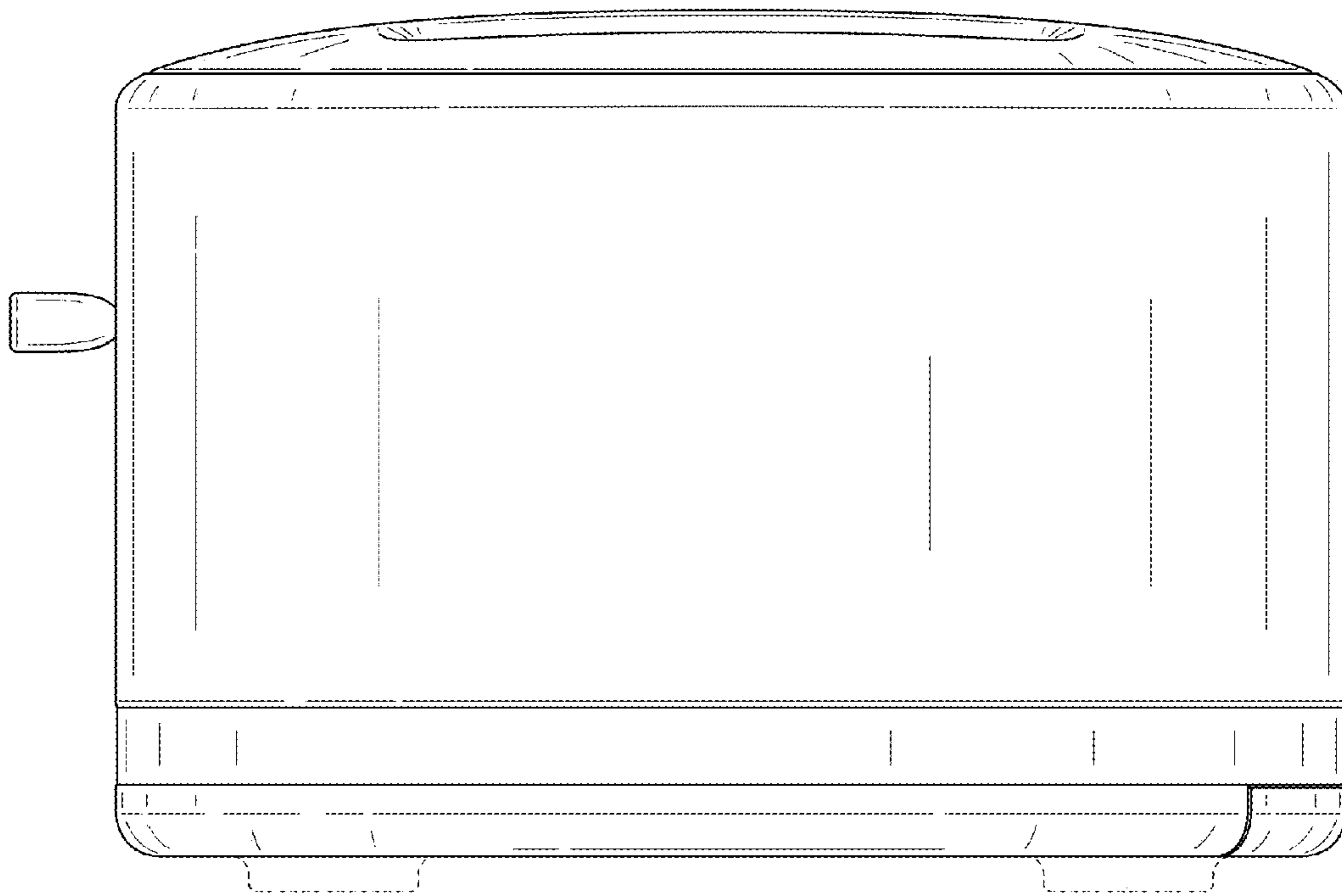


FIG. 3

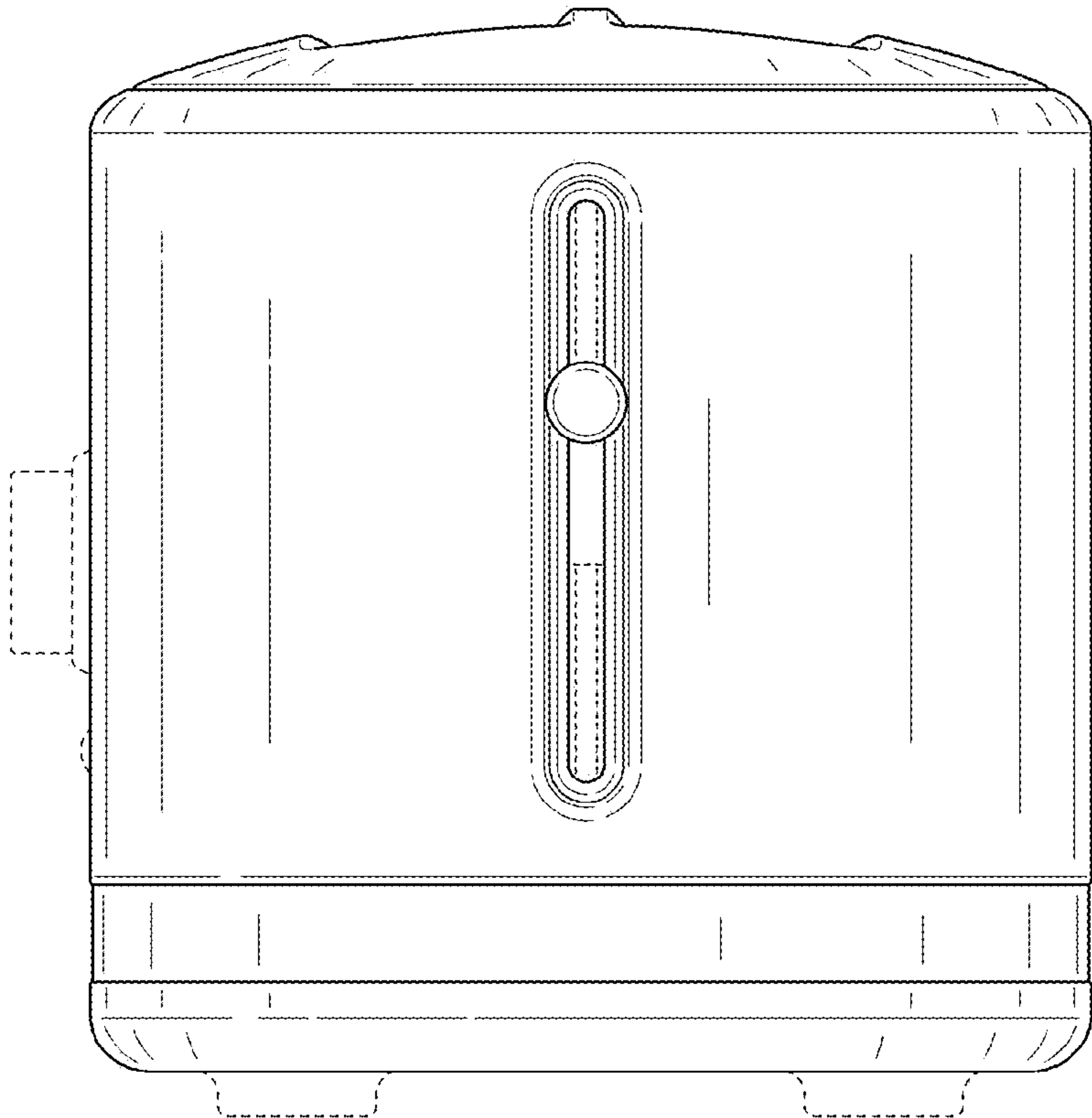


FIG. 4

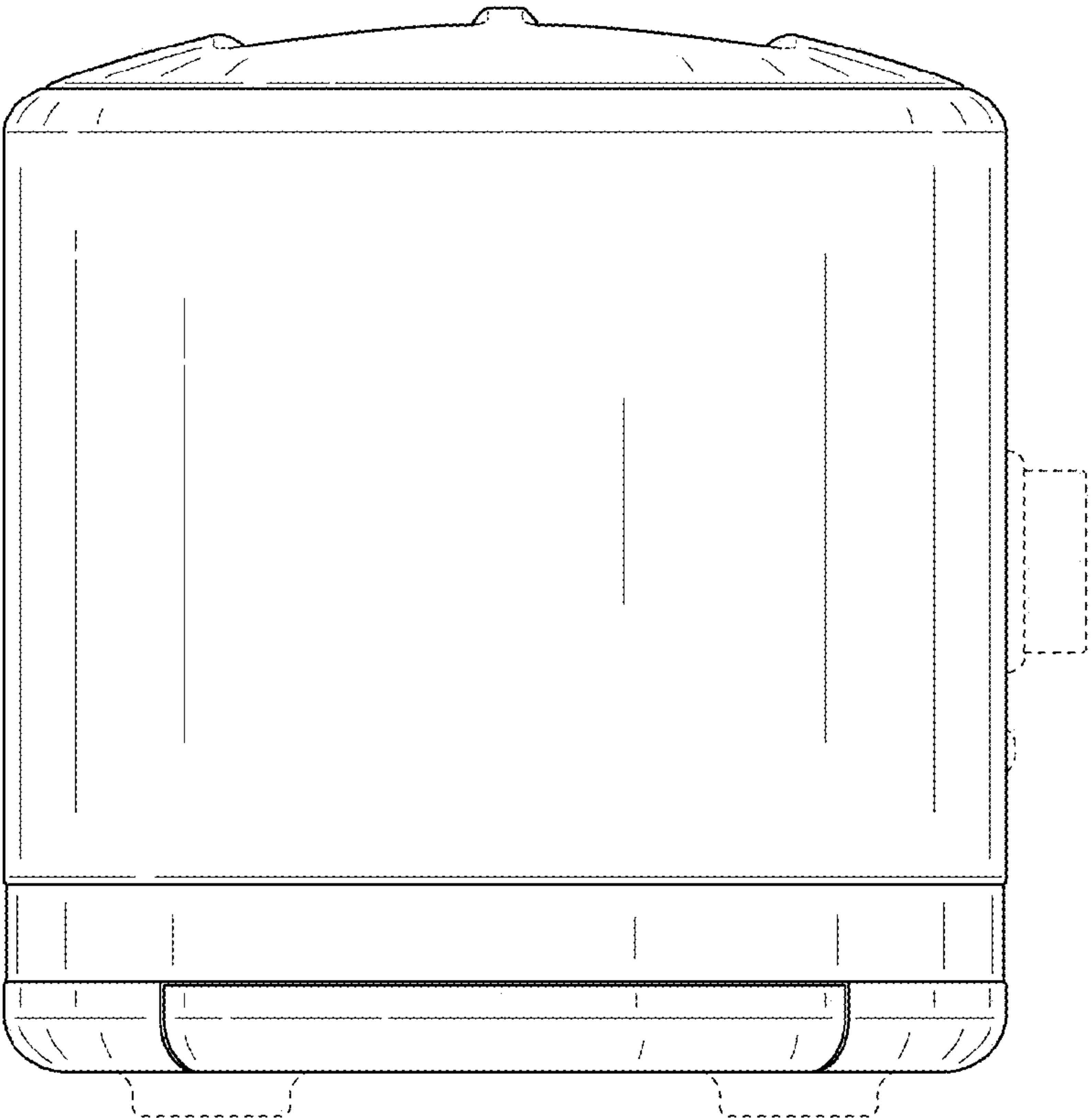


FIG. 5

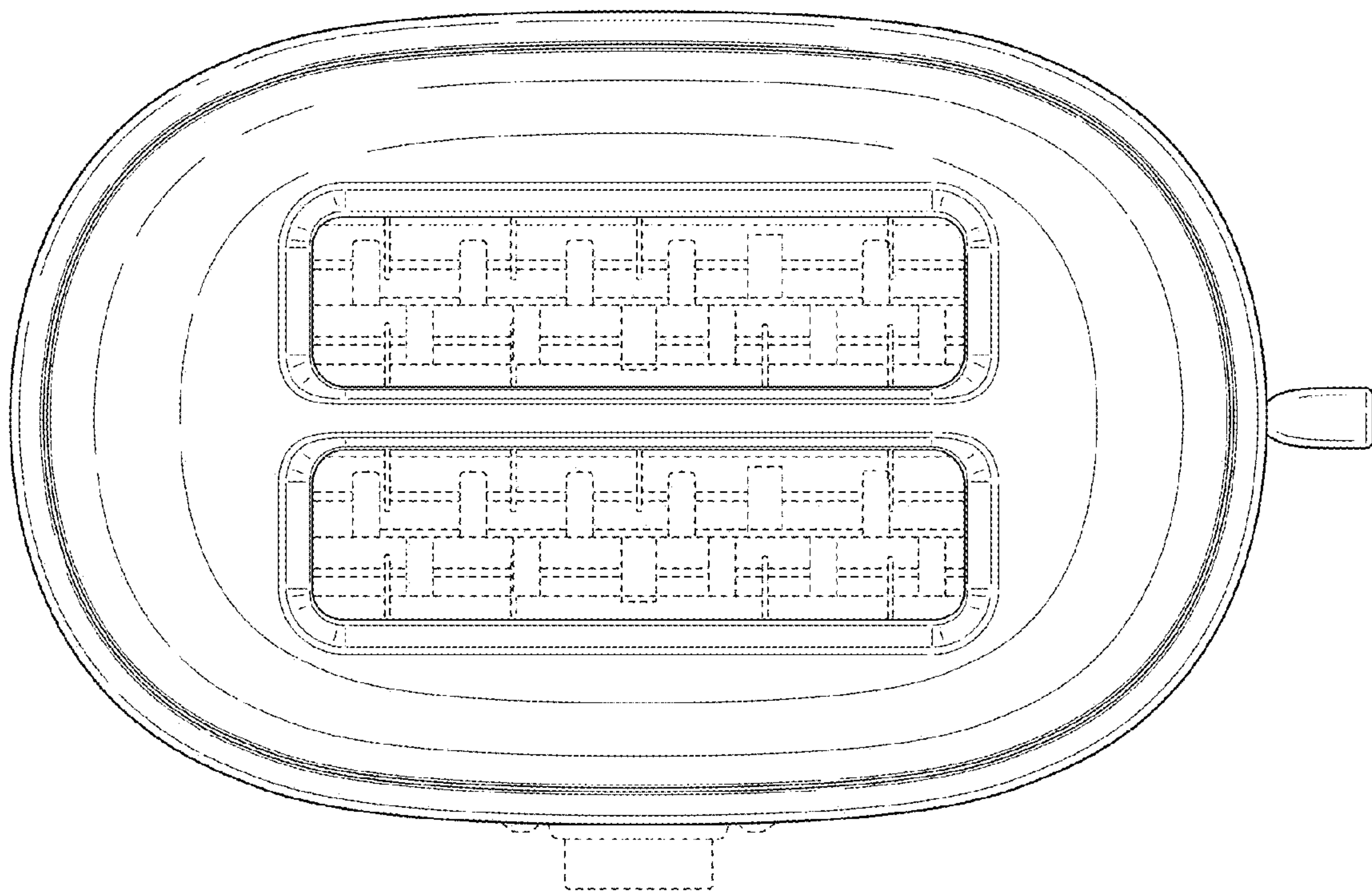


FIG. 6

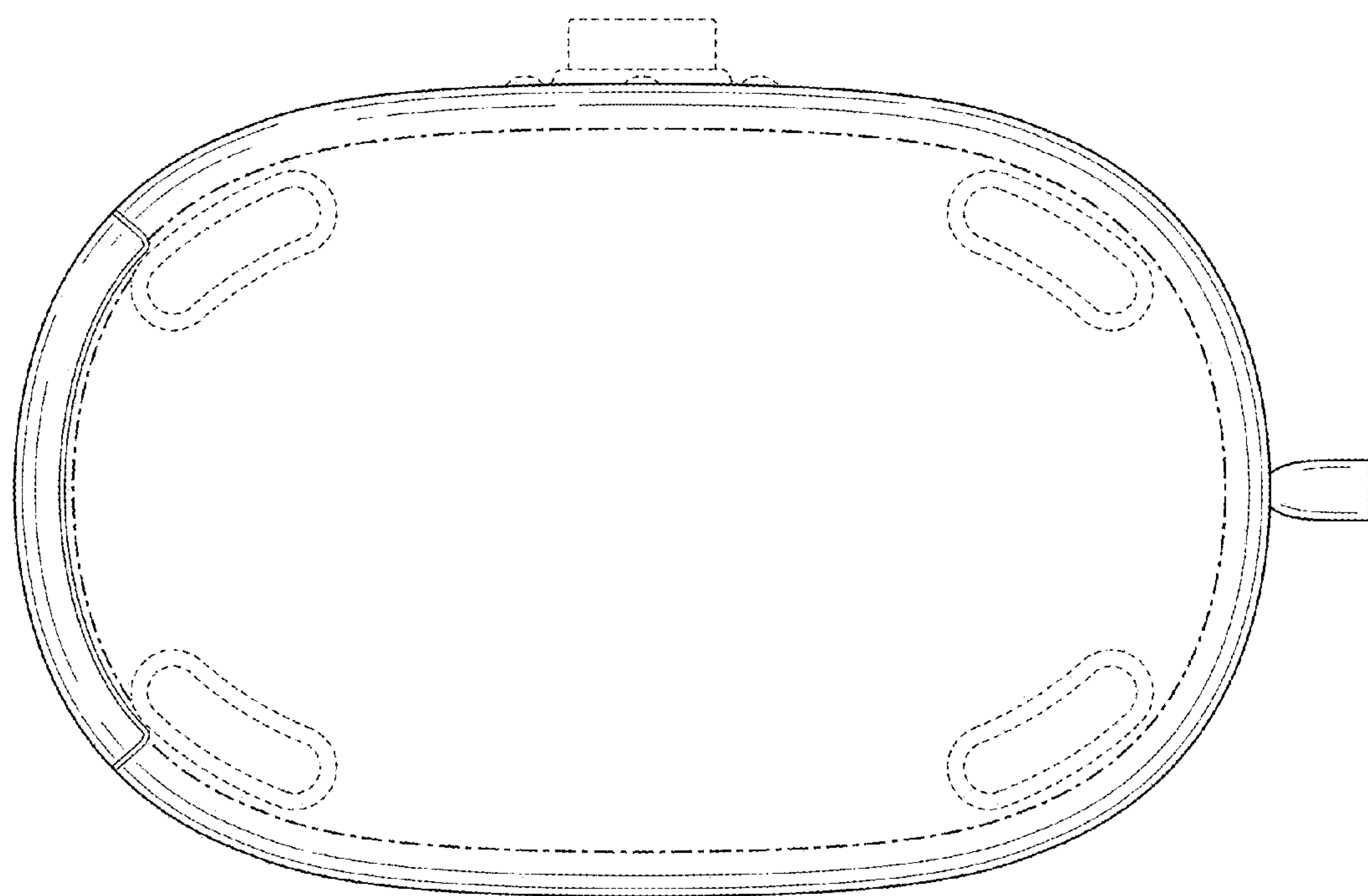


FIG. 7