



US00D761608S

(12) **United States Design Patent**
Gamelli et al.

(10) **Patent No.:** **US D761,608 S**
(45) **Date of Patent:** **** Jul. 19, 2016**

- (54) **BEVERAGE CONTAINER ASSEMBLY**
- (71) Applicants: **Mocktail Beverages Inc.**, Wenham, MA (US); **TricorBraun Inc.**, St. Louis, MO (US)
- (72) Inventors: **William D. Gamelli**, Wenham, MA (US); **Craig Sawicki**, Oak Brook, IL (US)
- (73) Assignees: **Mocktail Beverages Inc.**, Wenham, MA (US); **TricorBraun Inc.**, St. Louis, MO (US)

- (56) **References Cited**
- U.S. PATENT DOCUMENTS
- 300,867 A * 6/1884 Hauck A47J 43/27 220/568

(Continued)

FOREIGN PATENT DOCUMENTS

- EP 0 654 417 5/1995
- WO WO 2010/126341 A2 11/2010
- WO WO 2011/089505 7/2011

OTHER PUBLICATIONS

<http://www.bevnet.com/news/2014/mocktail-beverages-launches-line-of-non-alcoholic-cocktails> Posted Sep. 9, 2014.*

(Continued)

- (**) Term: **14 Years**
- (21) Appl. No.: **29/516,271**
- (22) Filed: **Jan. 30, 2015**

Primary Examiner — Susan Bennett Hattan
Assistant Examiner — Leanne Was
(74) *Attorney, Agent, or Firm* — Hamilton, Brook, Smith & Reynolds, P.C.

(57) **CLAIM**

The ornamental design for a beverage container assembly, as shown and described.

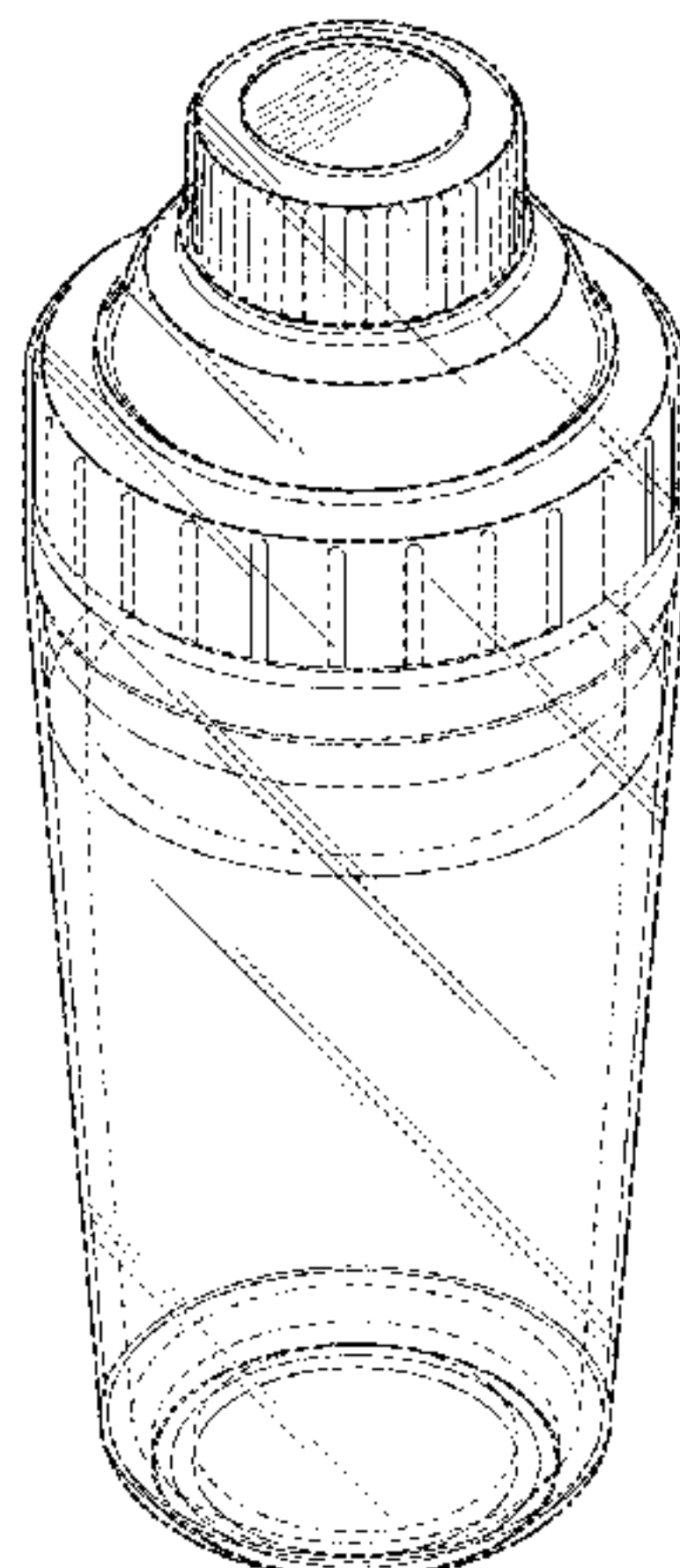
DESCRIPTION

FIG. 1 is a top plan view of the middle piece of our design of a beverage container assembly, including the center strainer in broken lines;
FIG. 2 is a bottom plan view of the middle piece beverage container assembly;
FIG. 3 is a cross-section side view of the middle piece beverage container assembly, taken along line 3-3 in FIG. 1; and, FIG. 4 is a perspective view of our design of the beverage container assembly including a transparent wrapper in accordance with our design.
The beverage container assembly has generally cylindrical symmetry. The separate components are shown to illustrate aspects, which are not apparent from the assembled views. The broken lines depict portions of the beverage container assembly that form no part of the claimed design.

Related U.S. Application Data

- (62) Division of application No. 29/451,689, filed on Apr. 5, 2013, now Pat. No. Des. 725,953.
- (51) **LOC (10) Cl.** **07-01**
- (52) **U.S. Cl.**
USPC **D7/300.1**
- (58) **Field of Classification Search**
USPC D7/300, 300.1, 304, 305, 312, 321, 376, D7/397, 509-511, 538; D9/435, 436, 454, D9/503, 516, 519, 549, 719, 737, 738, D9/741; 99/279, 287, 300; 206/217; 215/316, 386, 387; 220/568, 703, 711; 366/130
CPC A47G 19/22; A47G 19/2222; A47J 43/27; A47J 43/00; B65D 47/122
See application file for complete search history.

1 Claim, 1 Drawing Sheet



(56)

References Cited

U.S. PATENT DOCUMENTS

324,173 A * 8/1885 Seips A47J 43/27
220/568
1,042,751 A * 10/1912 Barker A47J 43/27
220/568
1,201,284 A * 10/1916 Gilchrist A47J 43/27
220/568
1,568,691 A * 1/1926 Pierson A47J 19/022
99/508
1,657,927 A * 1/1928 Heinzen A47J 43/27
220/506
1,740,223 A * 12/1929 Burvenick A47J 43/27
220/568
1,748,483 A * 2/1930 Hyde A47J 43/27
220/568
1,765,129 A * 6/1930 Cooke A47J 43/27
215/40
D96,965 S 9/1935 Fuerst
2,013,615 A * 9/1935 Fontan A47J 43/27
220/23.87
2,090,320 A 8/1937 Amick
2,090,998 A * 8/1937 Gessler A47J 43/27
220/568
D116,858 S * 9/1939 Martin D8/DIG. 2
2,385,648 A 9/1945 Prager
2,433,248 A 12/1947 Sweier
2,725,733 A 12/1955 Davis
D189,164 S * 11/1960 Hollister D9/447
D199,413 S 10/1964 Levinson
3,640,416 A 2/1972 Temple
3,765,559 A 10/1973 Sauey et al.
3,856,138 A 12/1974 Maekawa et al.
4,203,517 A 5/1980 Hildebrandt et al.
4,682,689 A 7/1987 Pereira et al.
4,793,475 A 12/1988 Itzel
4,872,764 A * 10/1989 McClean A47J 43/044
241/282.2
D304,551 S * 11/1989 Desgrippes D9/556
D364,566 S * 11/1995 Douer D9/436
5,465,835 A 11/1995 Schumacher et al.
5,547,275 A 8/1996 Lillelund et al.
5,588,550 A 12/1996 Meyer
D384,236 S * 9/1997 Douer D7/300.1
D390,462 S * 2/1998 Mao D9/435
D424,444 S * 5/2000 Lefebvre D9/503
D429,593 S * 8/2000 Thuma D7/300
6,159,513 A * 12/2000 Judlowe B65D 55/0818
220/568
D438,758 S * 3/2001 Tal D7/510
D439,111 S * 3/2001 Tal D7/510
D480,590 S * 10/2003 Linz D7/300.1

D480,599 S * 10/2003 Linz D7/392
D483,981 S * 12/2003 Linz D7/300.1
D483,982 S * 12/2003 Irvine D7/300.1
D489,627 S 5/2004 Klitsner et al.
D493,327 S * 7/2004 Marsden D7/300.1
D510,497 S * 10/2005 Hou D7/300.1
D519,835 S 5/2006 Dubs et al.
D520,654 S 5/2006 Freeman et al.
D536,986 S 2/2007 Nix et al.
D576,495 S 9/2008 Slubski
7,571,830 B2 8/2009 Lin
D604,984 S * 12/2009 Kalamaras D7/300.1
D608,141 S * 1/2010 Sanders D7/300.1
D610,005 S 2/2010 McKinney
D619,001 S 7/2010 McKinney
D623,460 S * 9/2010 Krasner D30/132
D625,541 S * 10/2010 Kauer D7/300.1
D630,037 S * 1/2011 Kauer D7/300
D631,356 S * 1/2011 Barsoumian D9/500
D648,488 S * 11/2011 Tsai D28/87
D654,752 S * 2/2012 Krasner D30/132
D689,336 S 9/2013 Slocumb et al.
D694,109 S 11/2013 Tanner
D697,354 S * 1/2014 Kauer D7/300.1
D725,953 S * 4/2015 Gamelli D7/300.1
D727,671 S * 4/2015 Gamelli D7/300.1
2003/0002385 A1 1/2003 Pola et al.
2003/0230575 A1 12/2003 Laurent
2004/0066705 A1 * 4/2004 Linz A47J 43/27
366/130
2006/0102584 A1 5/2006 Wellman
2010/0024660 A1 2/2010 Wallace
2011/0024320 A1 * 2/2011 Roman A47J 43/27
206/459.5
2011/0042374 A1 * 2/2011 Chang B65D 1/265
220/4.27
2011/0180545 A1 7/2011 Marino et al.
2011/0226770 A1 9/2011 Tiesberger
2013/0126369 A1 * 5/2013 Gamelli B65D 43/02
206/217
2014/0312040 A1 10/2014 Gamelli

OTHER PUBLICATIONS

K&D Wines and Spirits, Cointreau Cocktail Recipes and Shaker, Sep. 9, 2010; retrieved from internet www.kdwine.com/r/article/9/9-Cointreau.
Notification of Transmittal of the International Search Report and Written Opinion of PCT/US2012/065561 dated Feb. 6, 2013.
U.S. Appl. No. 29/451,696 entitled "Beverage Container for Retail Sale" filed Apr. 5, 2013.

* cited by examiner

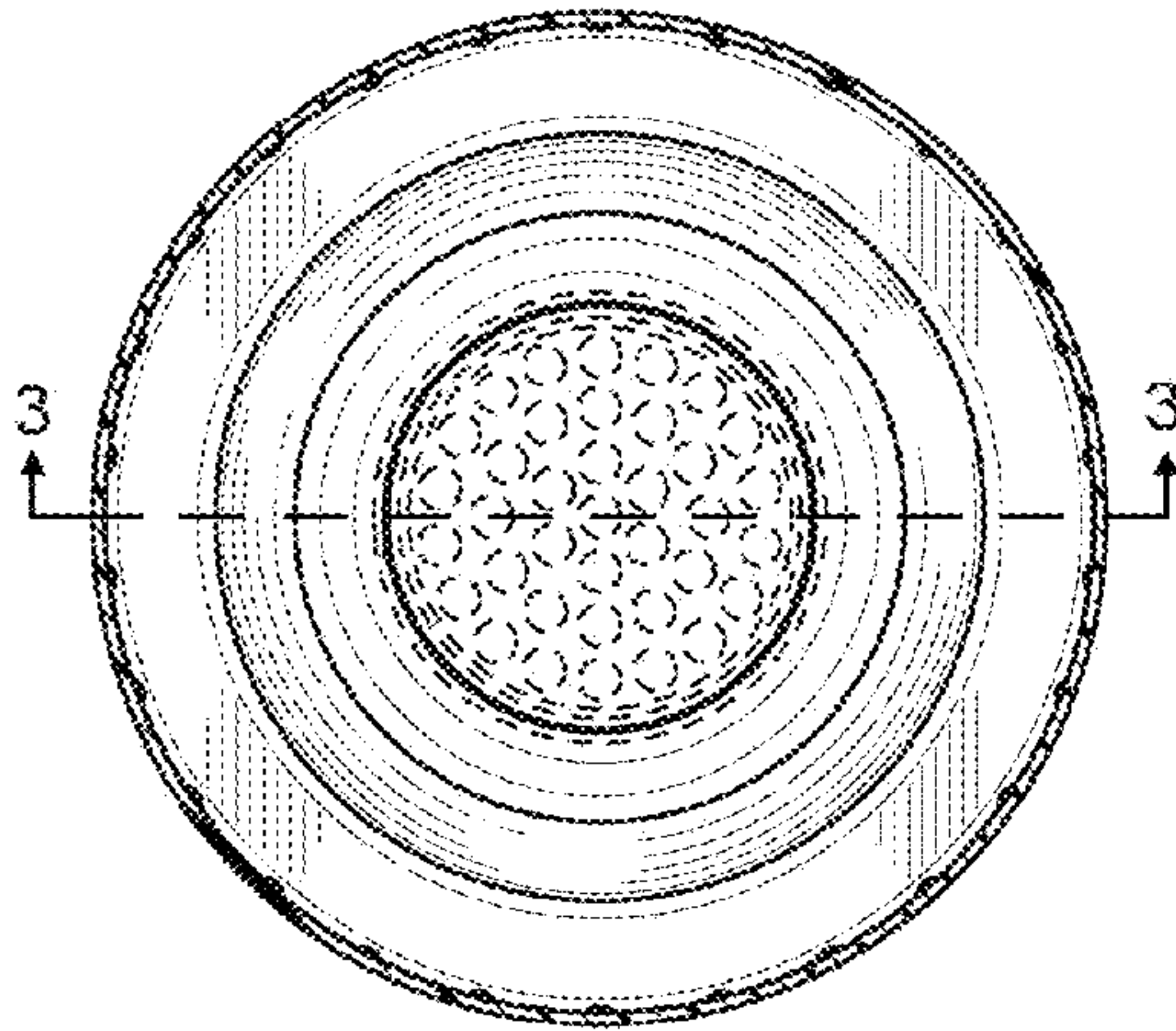


FIG. 1

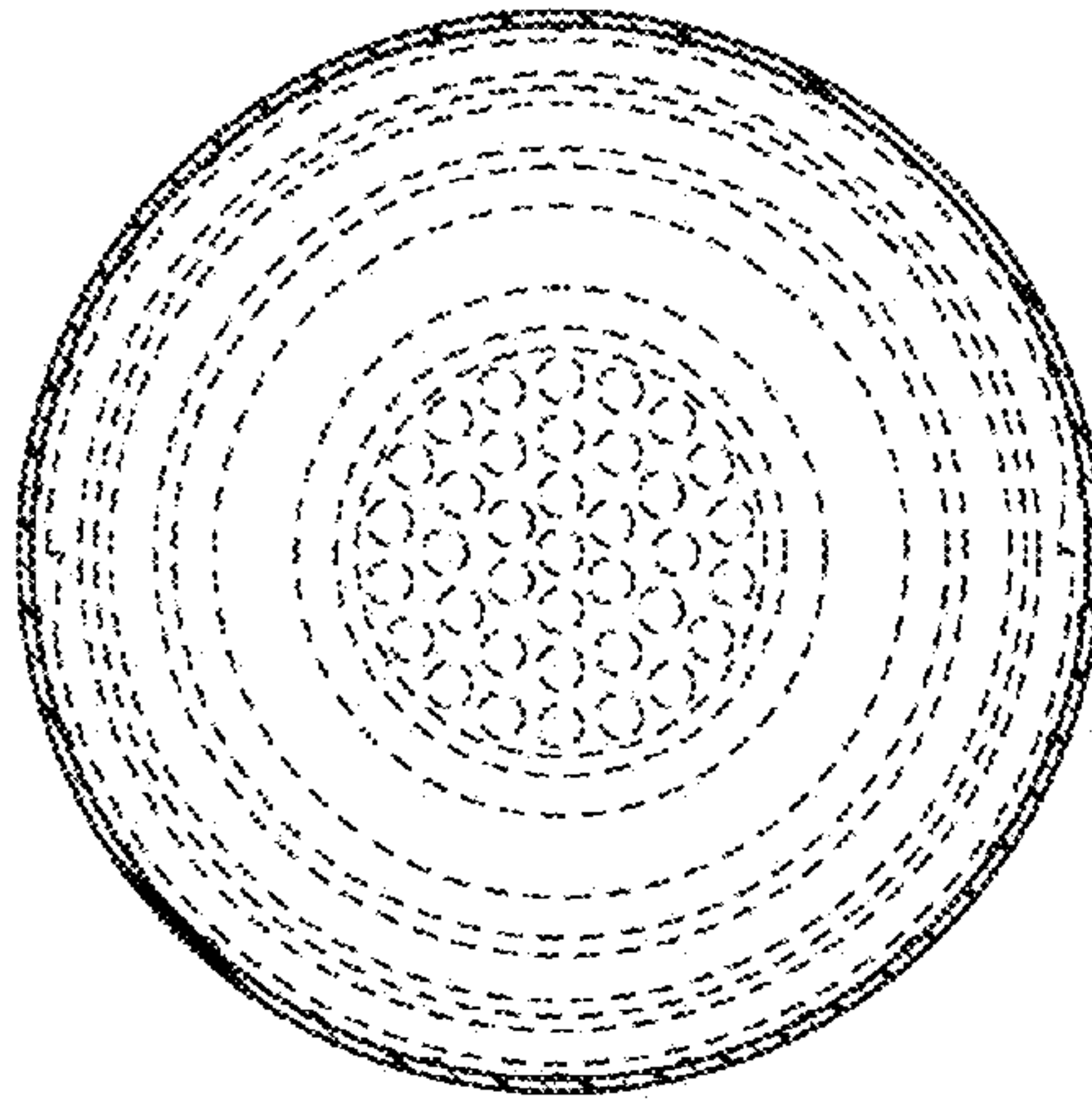


FIG. 2

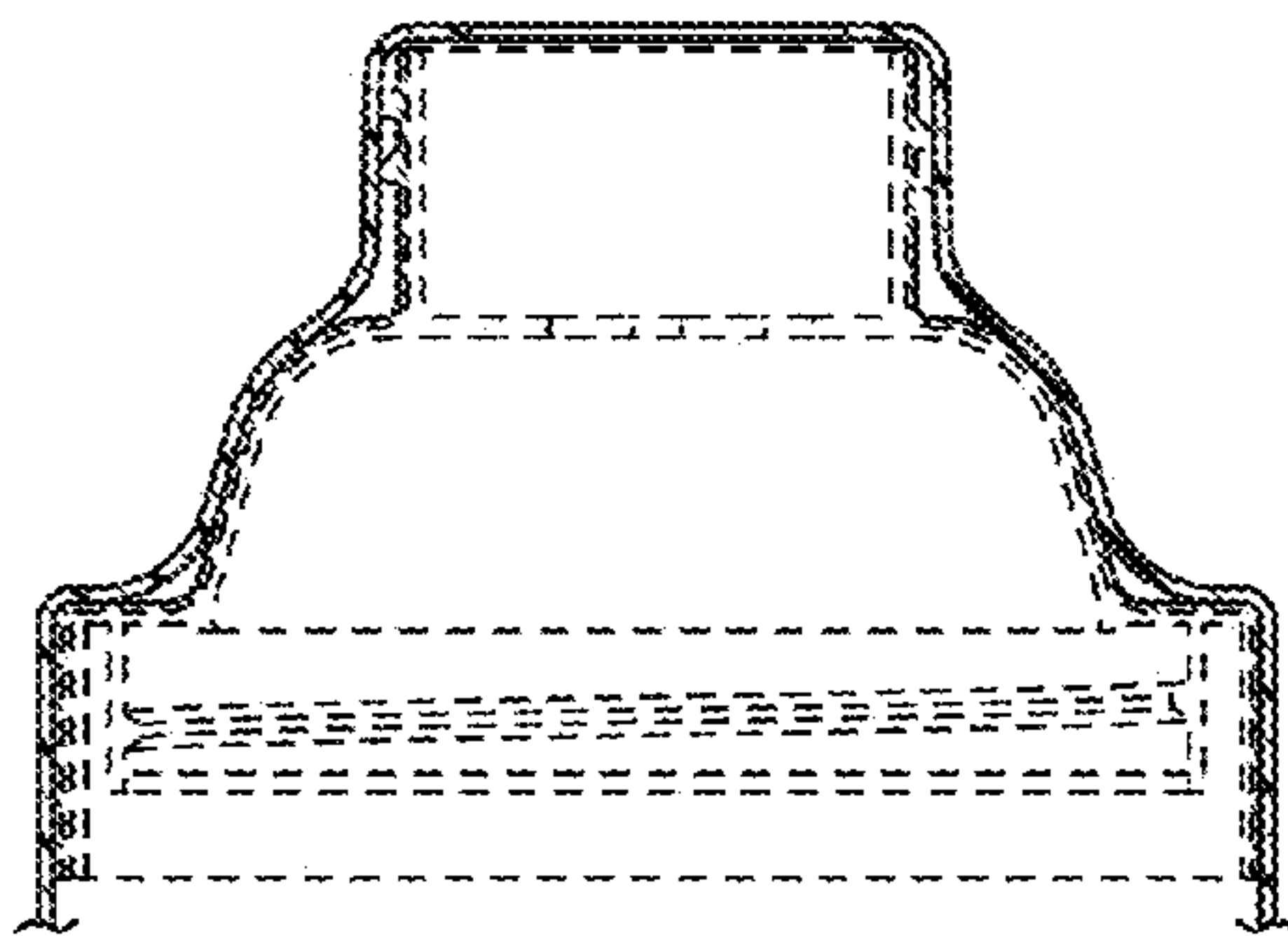


FIG. 3

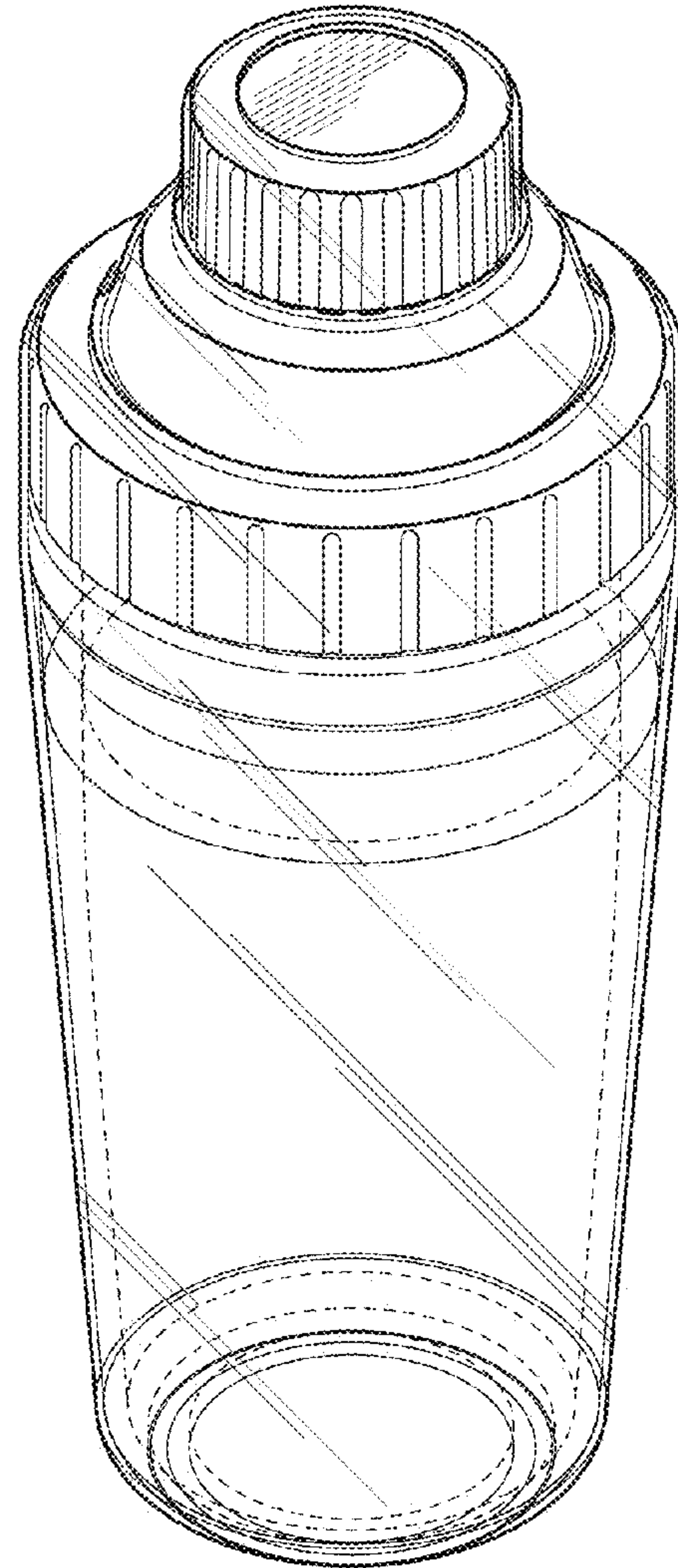


FIG. 4