



US00D761606S

(12) **United States Design Patent**  
**Piretti**

(10) **Patent No.:** **US D761,606 S**  
(45) **Date of Patent:** **\*\* Jul. 19, 2016**

(54) **TWO-COLOR CHAIR**

(71) Applicant: **Pro-Cord S.p.A.**, Bologna (IT)  
(72) Inventor: **Giancarlo Piretti**, Bologna (IT)  
(73) Assignee: **Pro-Cord S.P.A.**, Bologna (IT)  
(\*\*) Term: **14 Years**

(21) Appl. No.: **29/524,499**

(22) Filed: **Apr. 21, 2015**

(51) **LOC (10) Cl.** ..... **06-01**

(52) **U.S. Cl.**  
USPC ..... **D6/716; D6/380**

(58) **Field of Classification Search**  
USPC ..... D6/334-336, 360, 366, 371, 372, 373,  
D6/374, 375, 376, 379, 380, 716, 716.1,  
D6/716.4  
CPC ..... A47C 3/04; A47C 4/02; A47C 4/03;  
A47C 5/04; A47C 3/12; A47C 5/12  
See application file for complete search history.

(56) **References Cited**

**U.S. PATENT DOCUMENTS**

D171,208 S *	12/1953	Jones	.....	D6/375
D171,210 S *	12/1953	Jones	.....	D6/375
2,997,339 A *	8/1961	Wilson	.....	A47C 3/04 297/239
D207,955 S *	6/1967	Rodrigo	.....	D6/375
4,232,900 A	11/1980	Parker		
D275,060 S *	8/1984	Buhk	.....	D6/380
D289,120 S *	4/1987	Chadwick	.....	D6/380
4,733,910 A *	3/1988	Brennan	.....	A47C 3/12 297/DIG. 2
4,796,952 A	1/1989	Piretti		
D300,885 S *	5/1989	Ochsner	.....	D6/380
D307,837 S *	5/1990	Grant	.....	D6/372
D367,982 S *	3/1996	Stirling	.....	D6/716
D368,608 S *	4/1996	Stirling	.....	D6/716

(Continued)

**FOREIGN PATENT DOCUMENTS**

WO 9303653 3/1993

*Primary Examiner* — Mimoso De

(74) *Attorney, Agent, or Firm* — Andrus Intellectual Property Law, LLP

(57) **CLAIM**

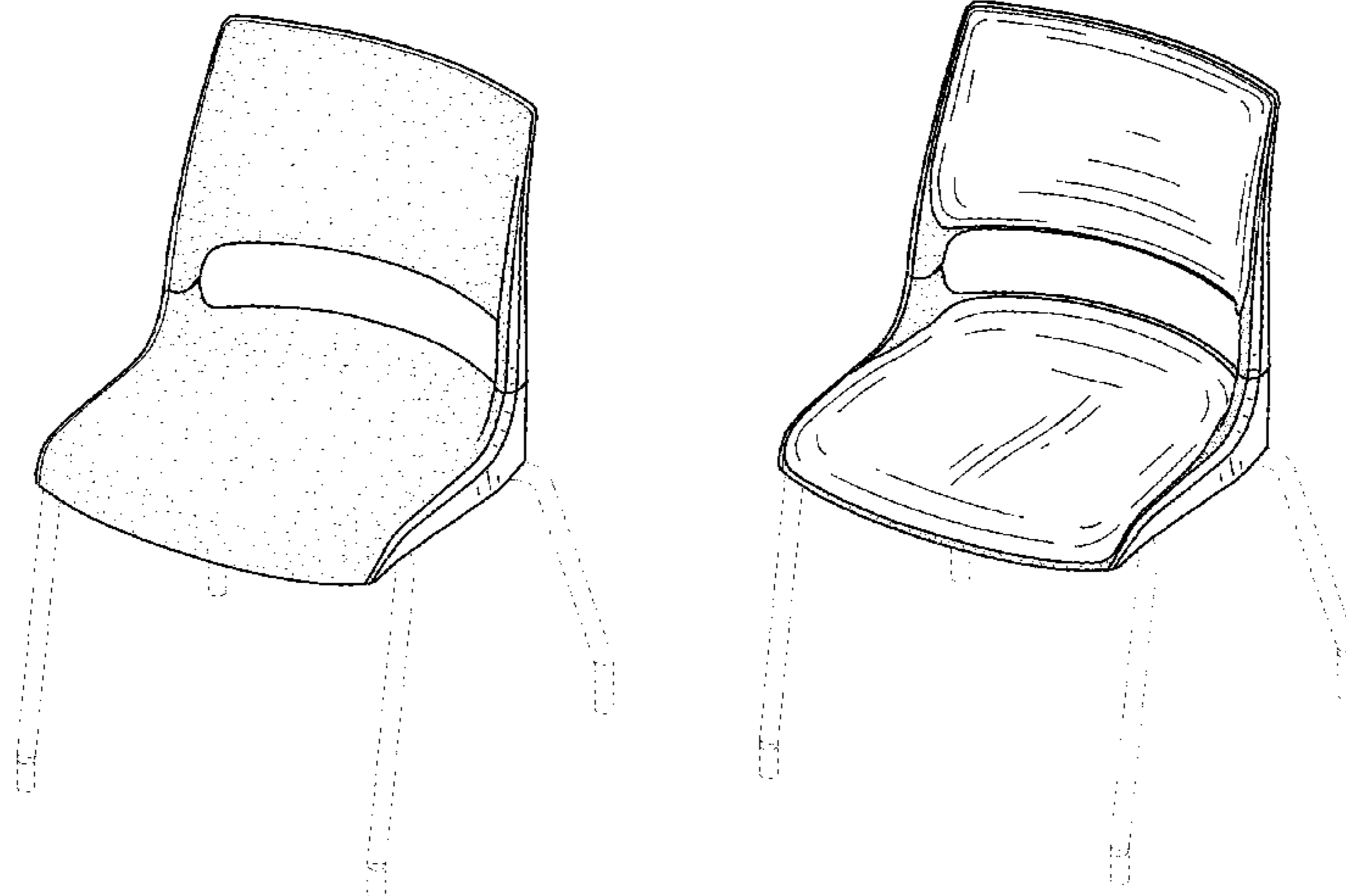
The ornamental design of a two-color chair, as shown and described.

**DESCRIPTION**

FIG. 1 is an isometric view of a two-color chair;  
 FIG. 2 is a front elevation view thereof;  
 FIG. 3 is a back elevation view thereof;  
 FIG. 4 is a right side elevation view thereof;  
 FIG. 5 is a left side elevation view thereof;  
 FIG. 6 is a top plan view thereof;  
 FIG. 7 is a bottom plan view thereof;  
 FIG. 8 is an isometric view of a second embodiment of a two-color chair;  
 FIG. 9 is a front elevation view thereof;  
 FIG. 10 is a back elevation view thereof;  
 FIG. 11 is a right side elevation view thereof;  
 FIG. 12 is a left side elevation view thereof;  
 FIG. 13 is a top plan view thereof;  
 FIG. 14 is a bottom plan view thereof;  
 FIG. 15 is an isometric view of a third embodiment of a two-color chair;  
 FIG. 16 is a front elevation view thereof;  
 FIG. 17 is a back elevation view thereof;  
 FIG. 18 is a right side elevation view thereof;  
 FIG. 19 is a left side elevation view thereof;  
 FIG. 20 is a top plan view thereof; and,  
 FIG. 21 is a bottom plan view thereof.

The broken lines shown in the drawing Figures are meant to illustrate environment and form no part of the claimed, design. The stippling shown in the drawing Figures is meant to illustrate color where the remaining portions of the two-color chair are of a different color from the stippled portion.

**1 Claim, 12 Drawing Sheets**



(56)

**References Cited**

U.S. PATENT DOCUMENTS

5,580,127	A	12/1996	Piretti				
6,149,236	A	11/2000	Bräuning				
D515,331	S	2/2006	Piretti				
7,118,177	B2	10/2006	Piretti				
7,293,833	B2	11/2007	Takeuchi et al.				
7,325,873	B2	2/2008	Stewart et al.				
D564,248	S *	3/2008	Alter Molina .....	D6/373			
D593,761	S *	6/2009	Kaloustian .....	D6/374			
D600,464	S *	9/2009	Olano Jauregui .....	D6/373			
D607,654	S *	1/2010	Fewchuk .....	D6/374			
D611,740	S *	3/2010	Koh .....	D6/375			
					D637,839	S	5/2011 Piretti
					D638,641	S	5/2011 Piretti
					D643,652	S	8/2011 Piretti
					D650,616	S	12/2011 Piretti
					8,113,586	B2	2/2012 Chen
					8,177,299	B2	5/2012 Fukai
					D672,581	S	12/2012 Piretti
					D673,395	S	1/2013 Piretti
					D673,396	S	1/2013 Piretti
					8,540,315	B2	9/2013 Piretti
					8,668,267	B2	3/2014 Piretti
					D710,638	S *	8/2014 Bellini .....
					2012/0098313	A1	4/2012 Cartis et al.
							D6/716

\* cited by examiner

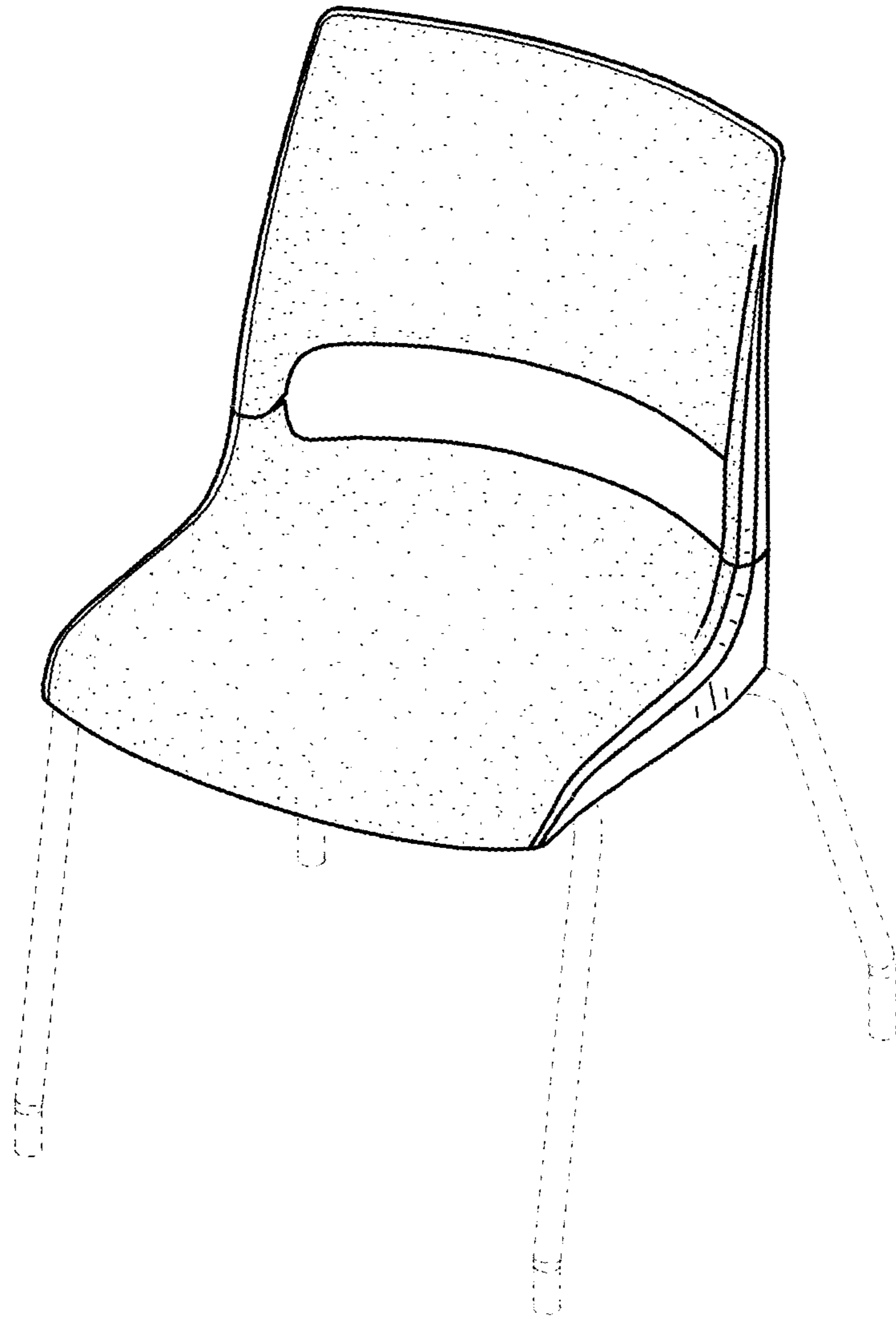


FIG. 1

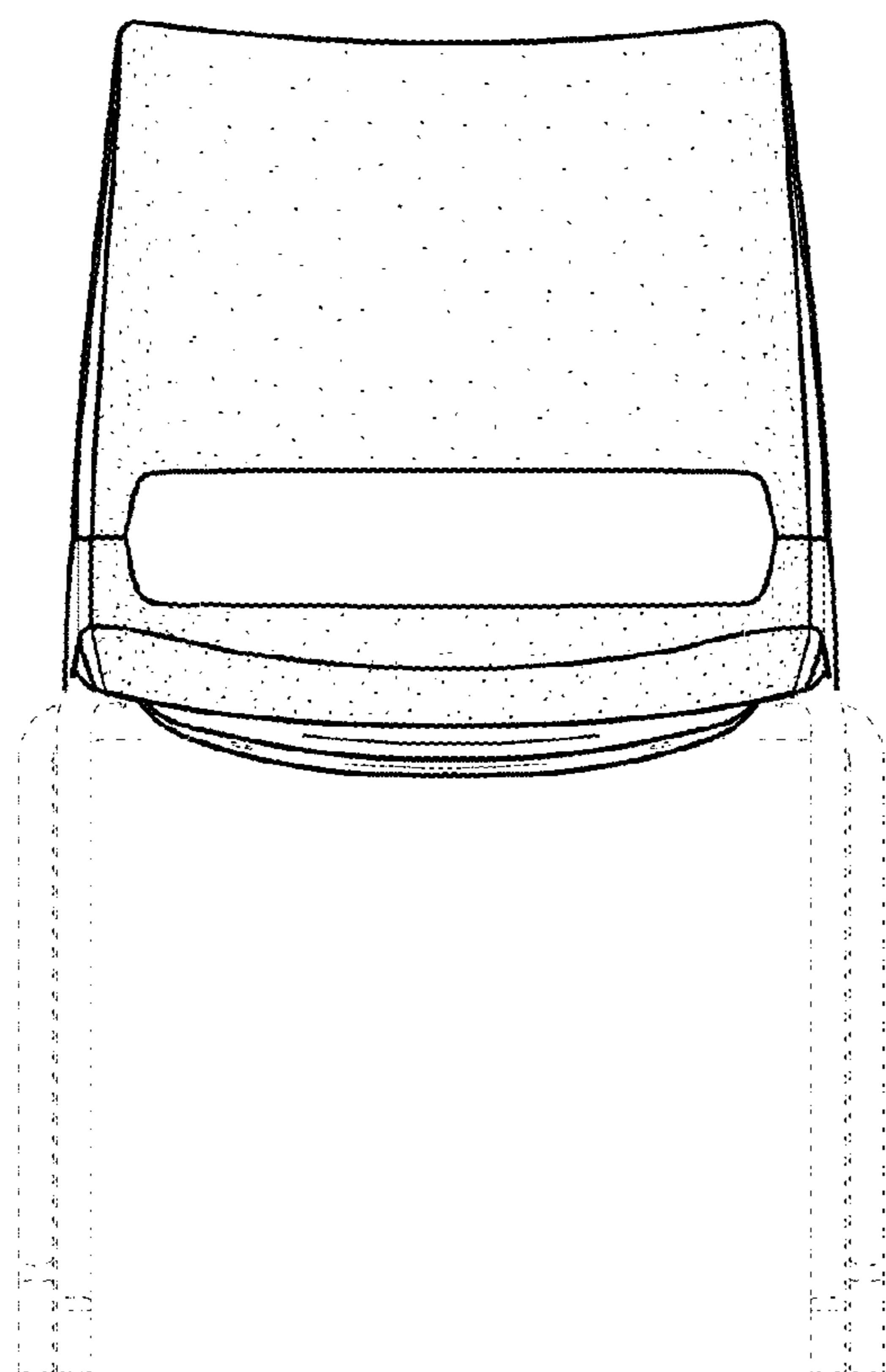
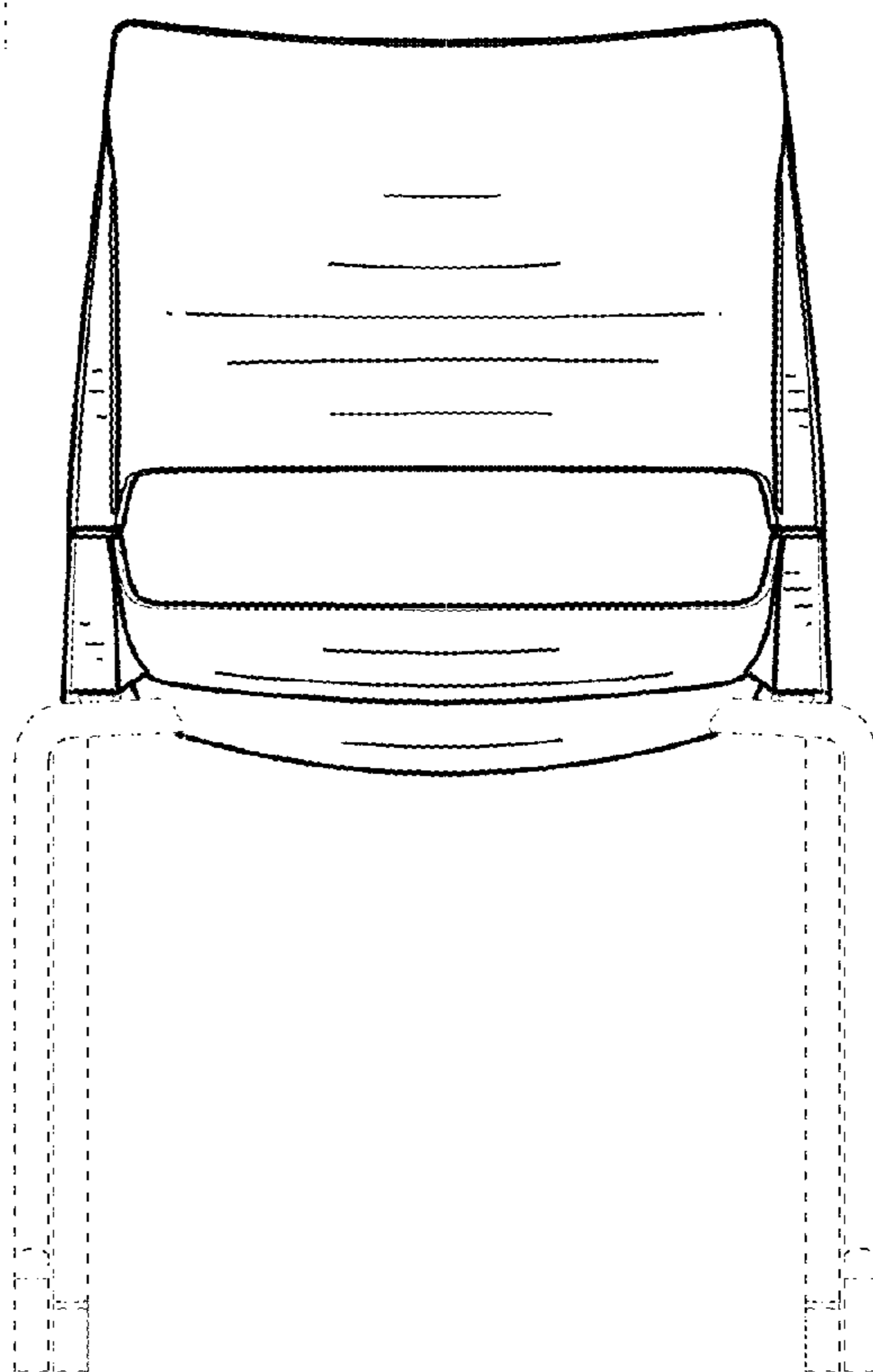


FIG. 2

FIG. 3



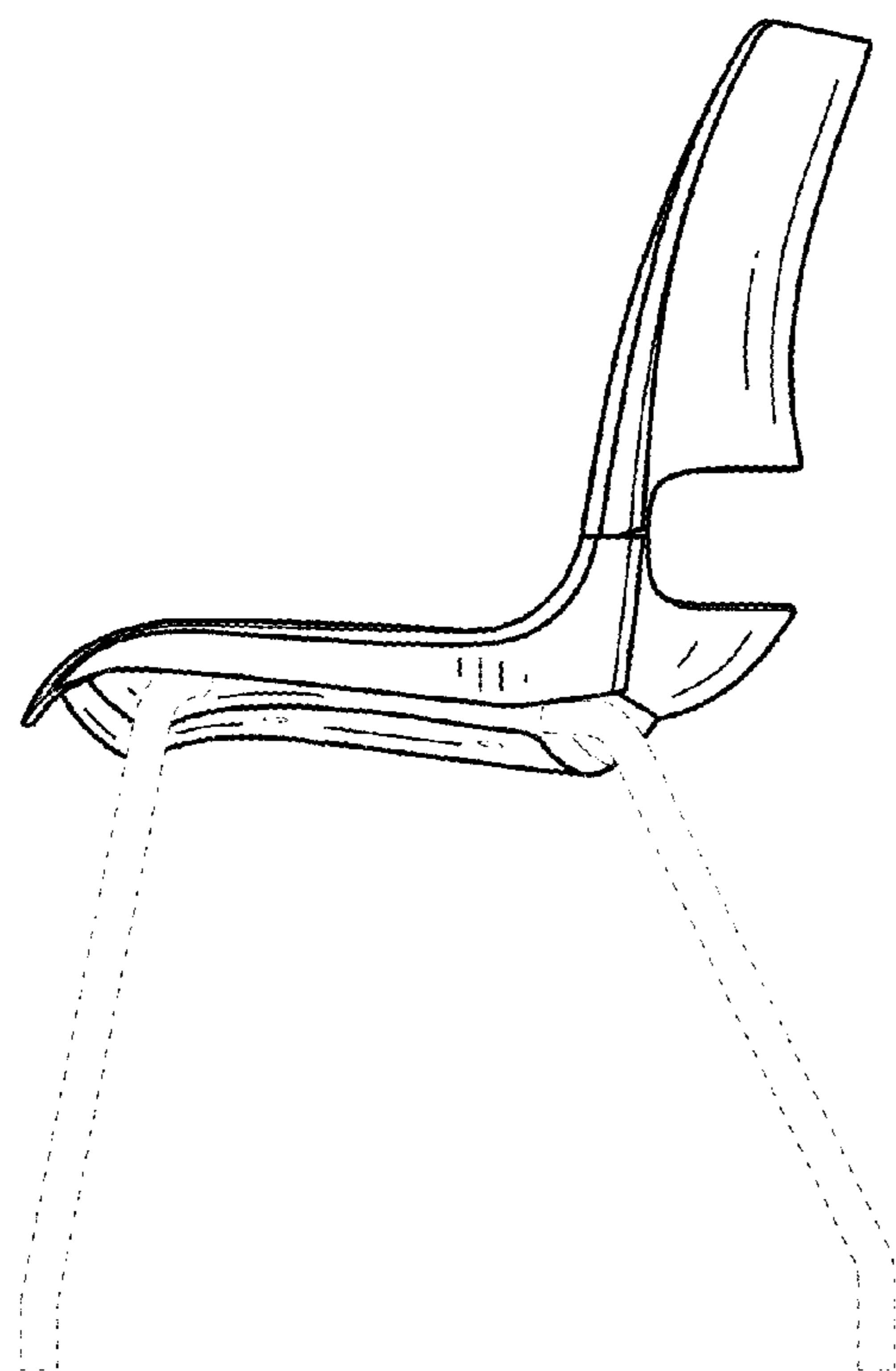


FIG. 4

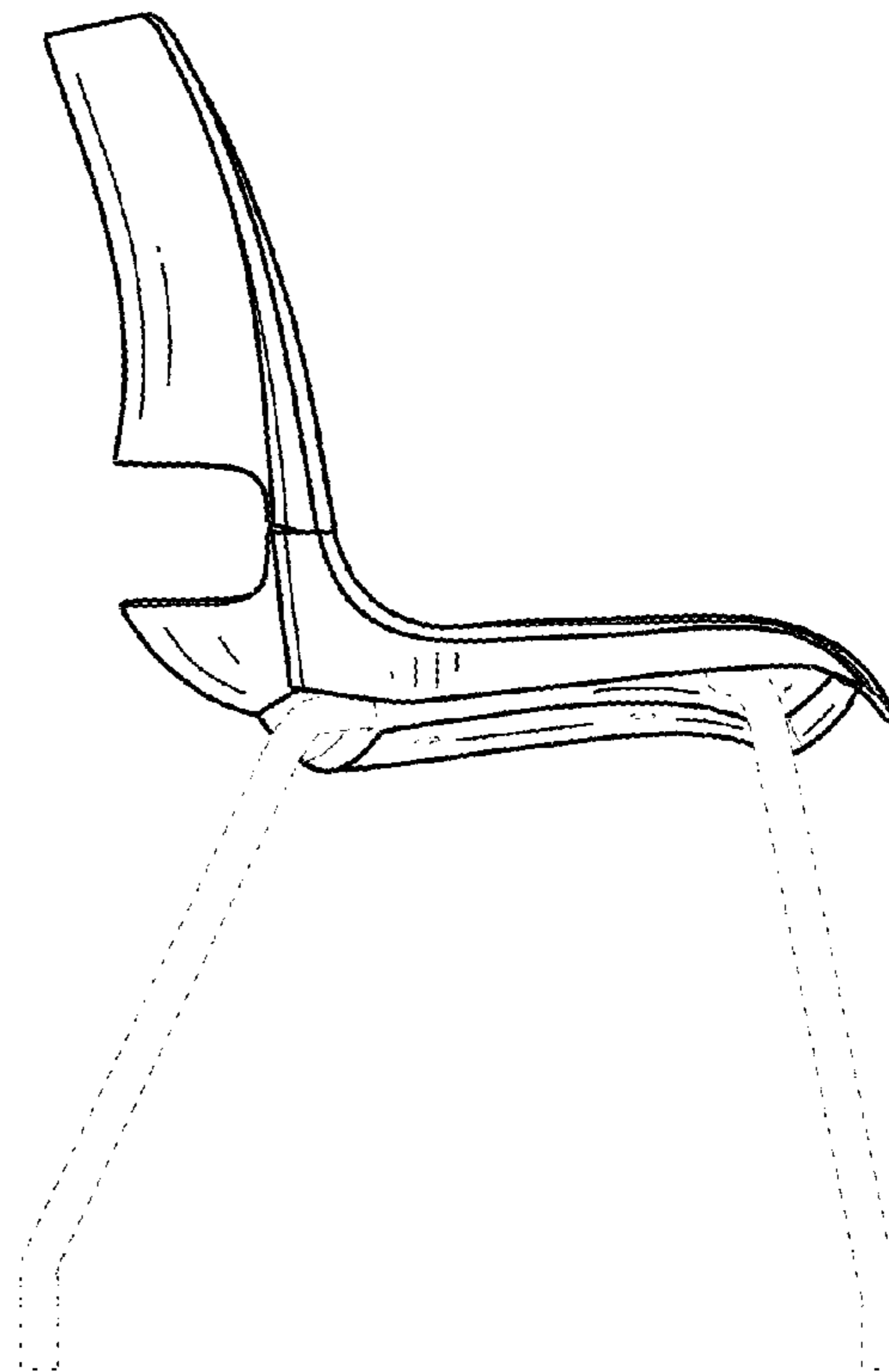


FIG. 5

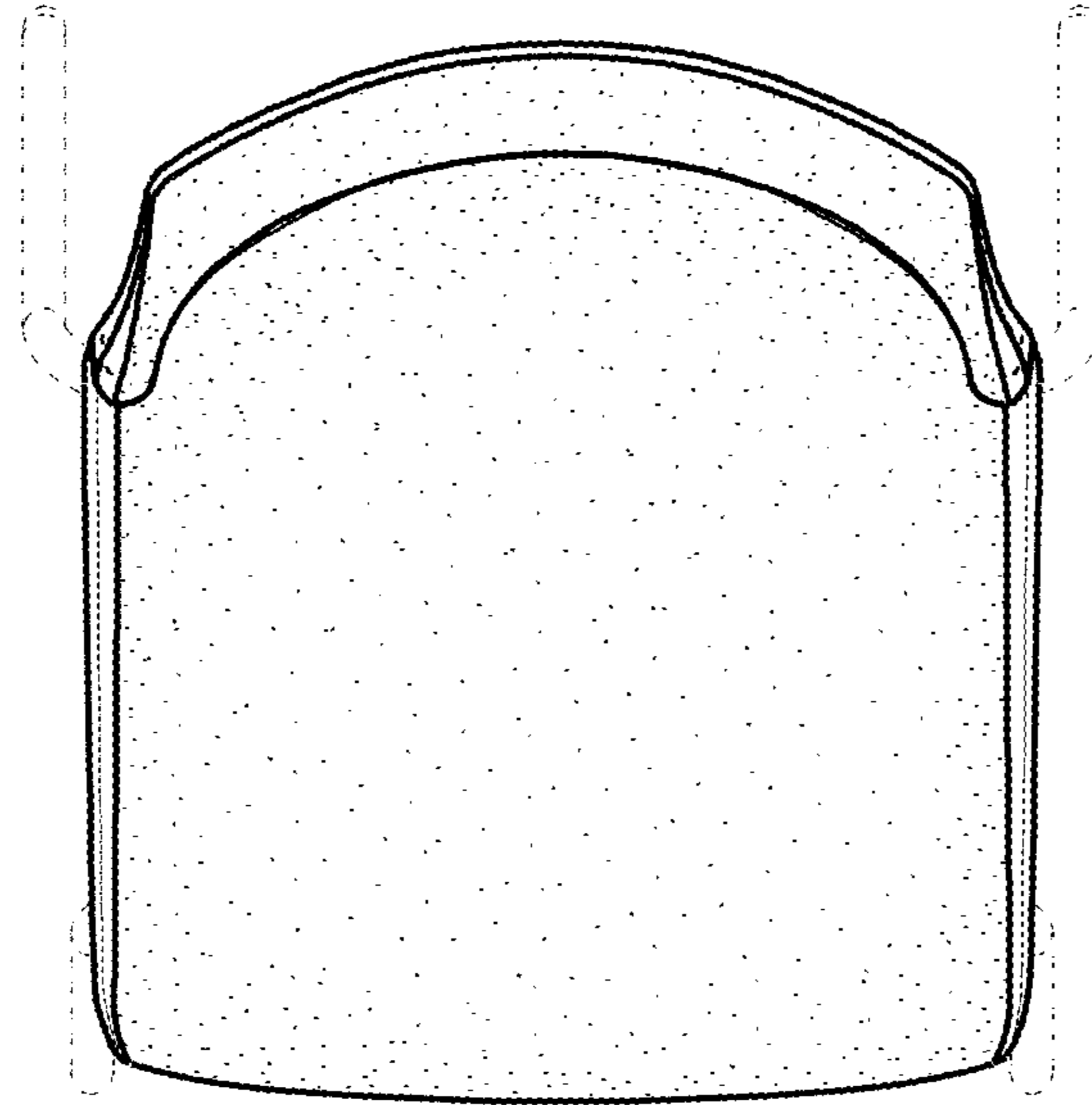


FIG. 6

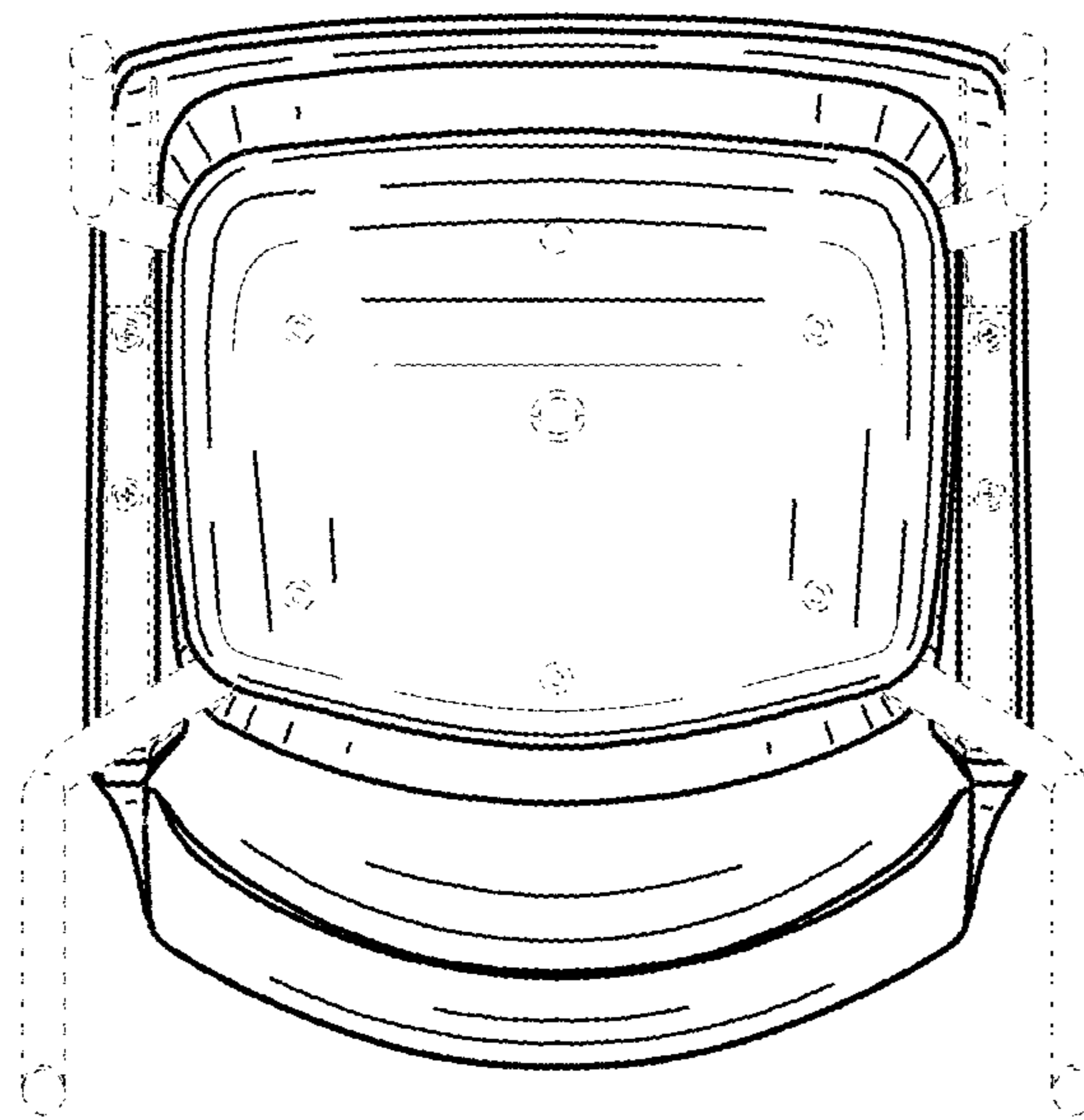


FIG. 7

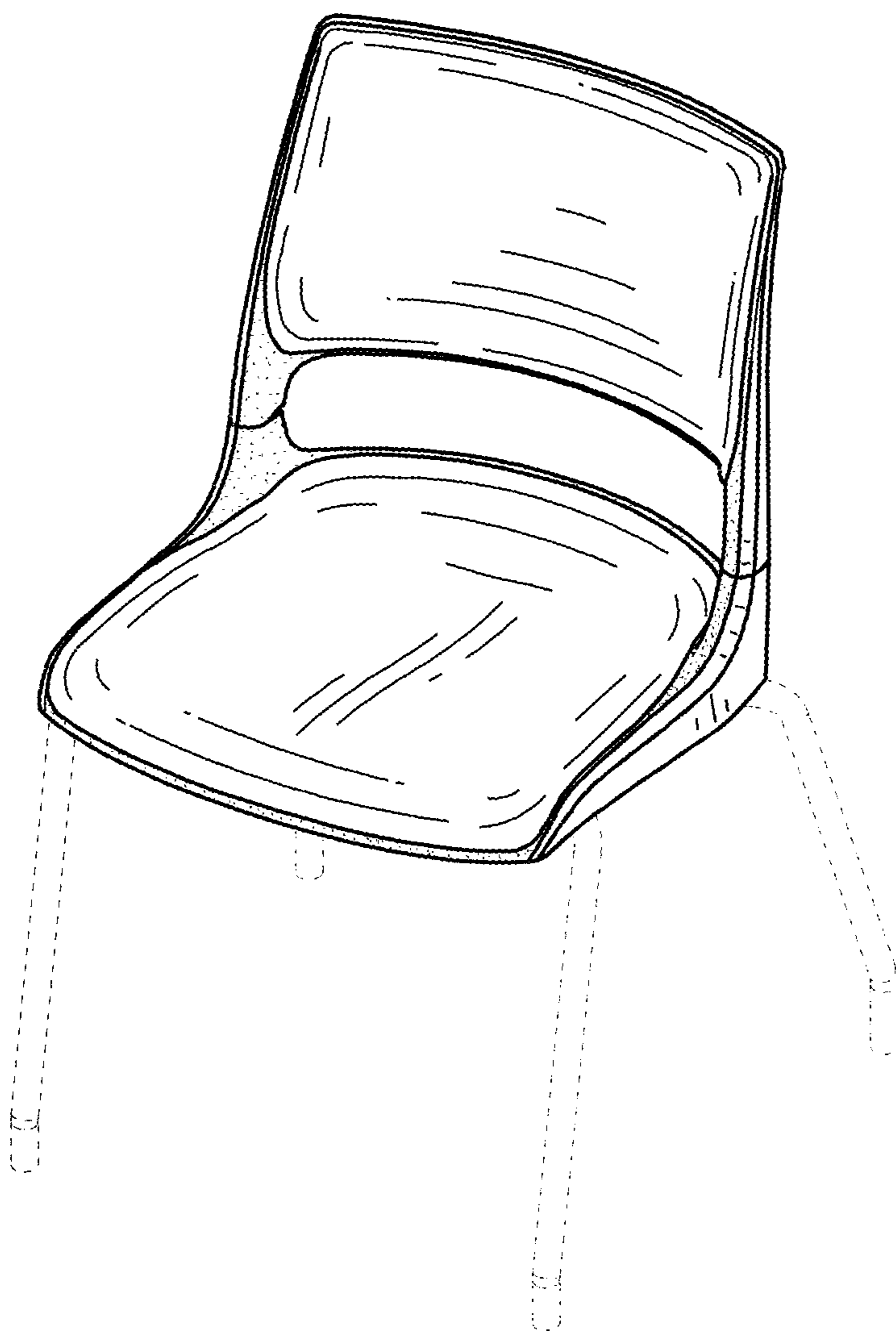


FIG. 8

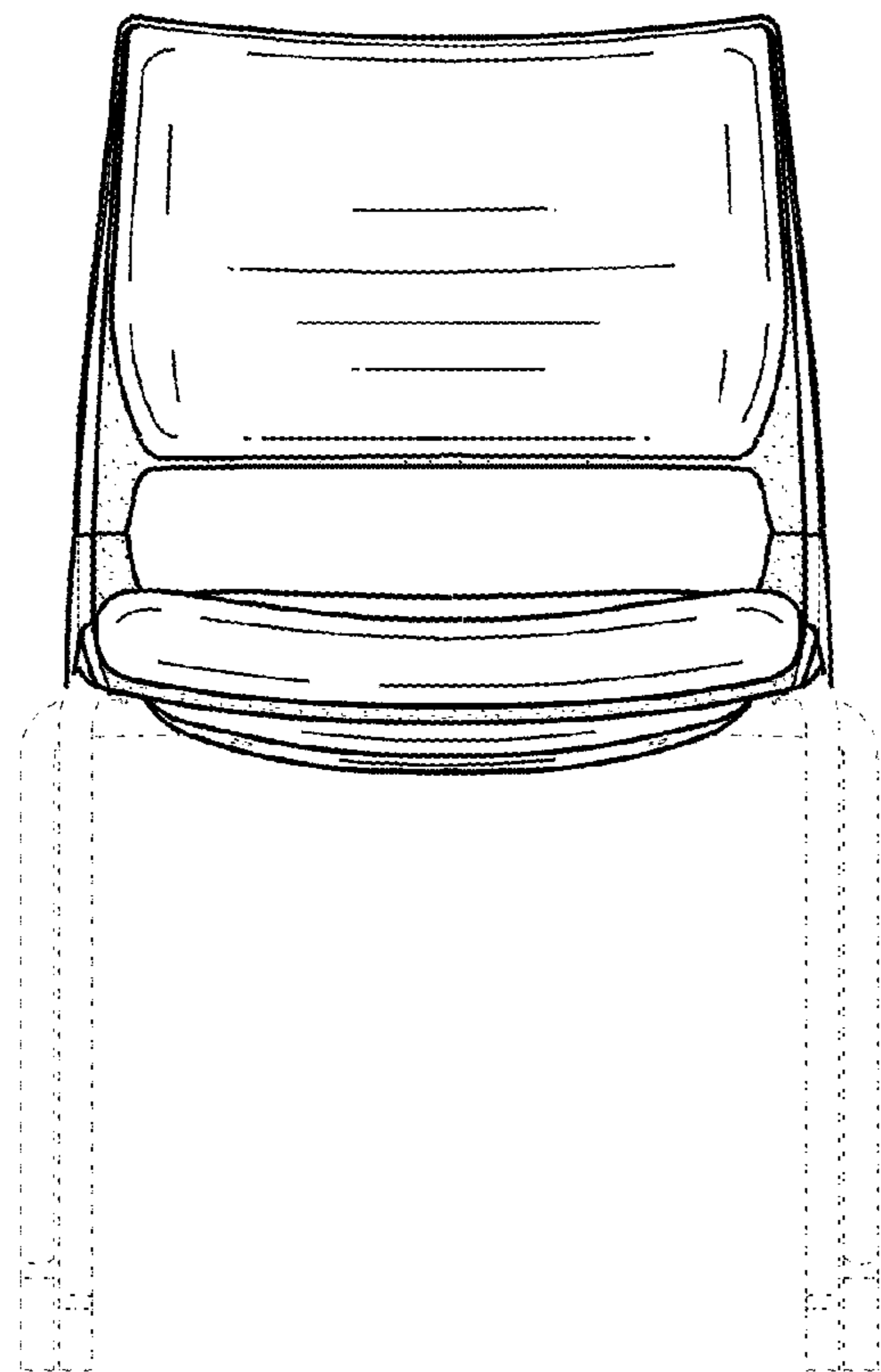


FIG. 9

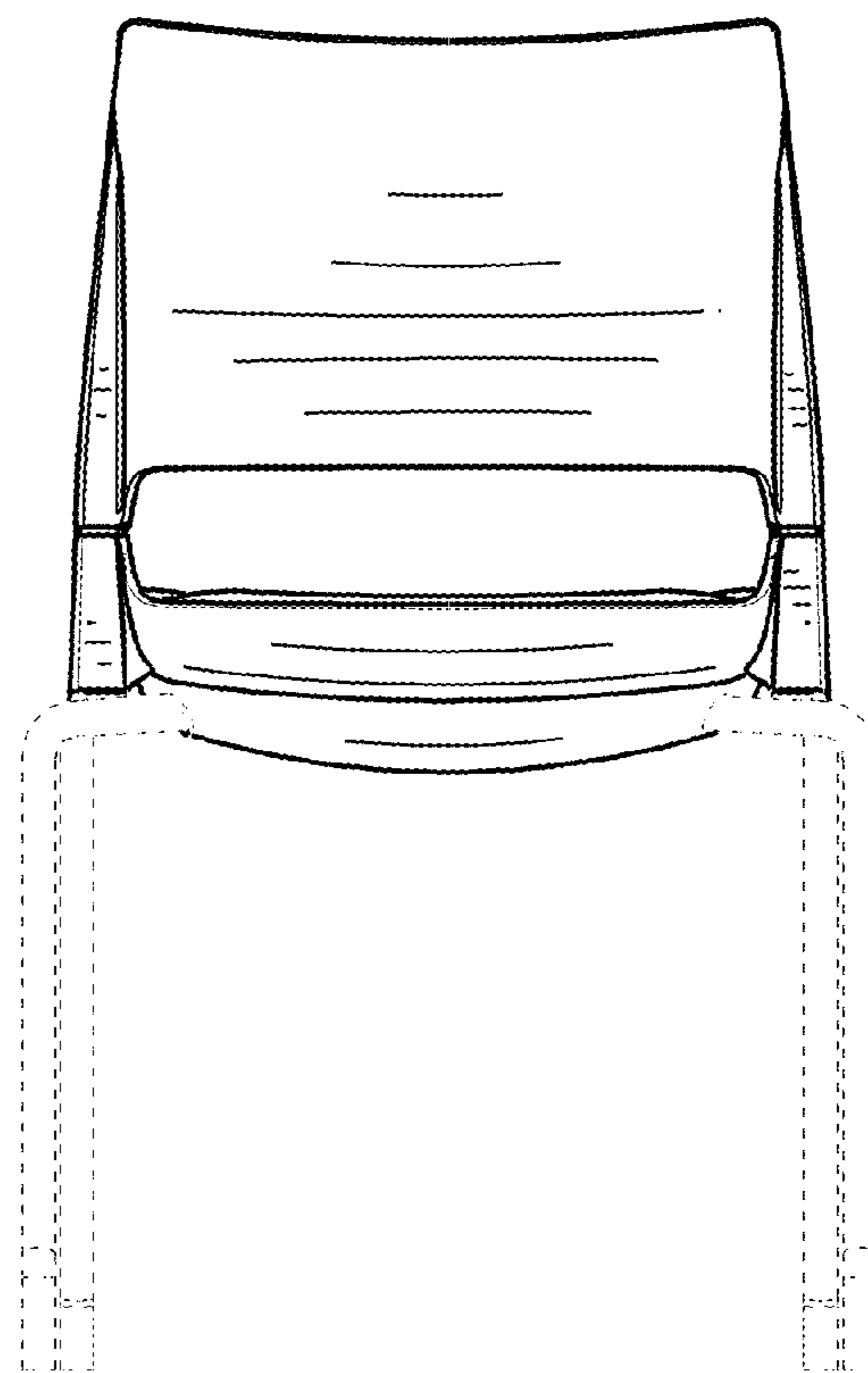


FIG. 10



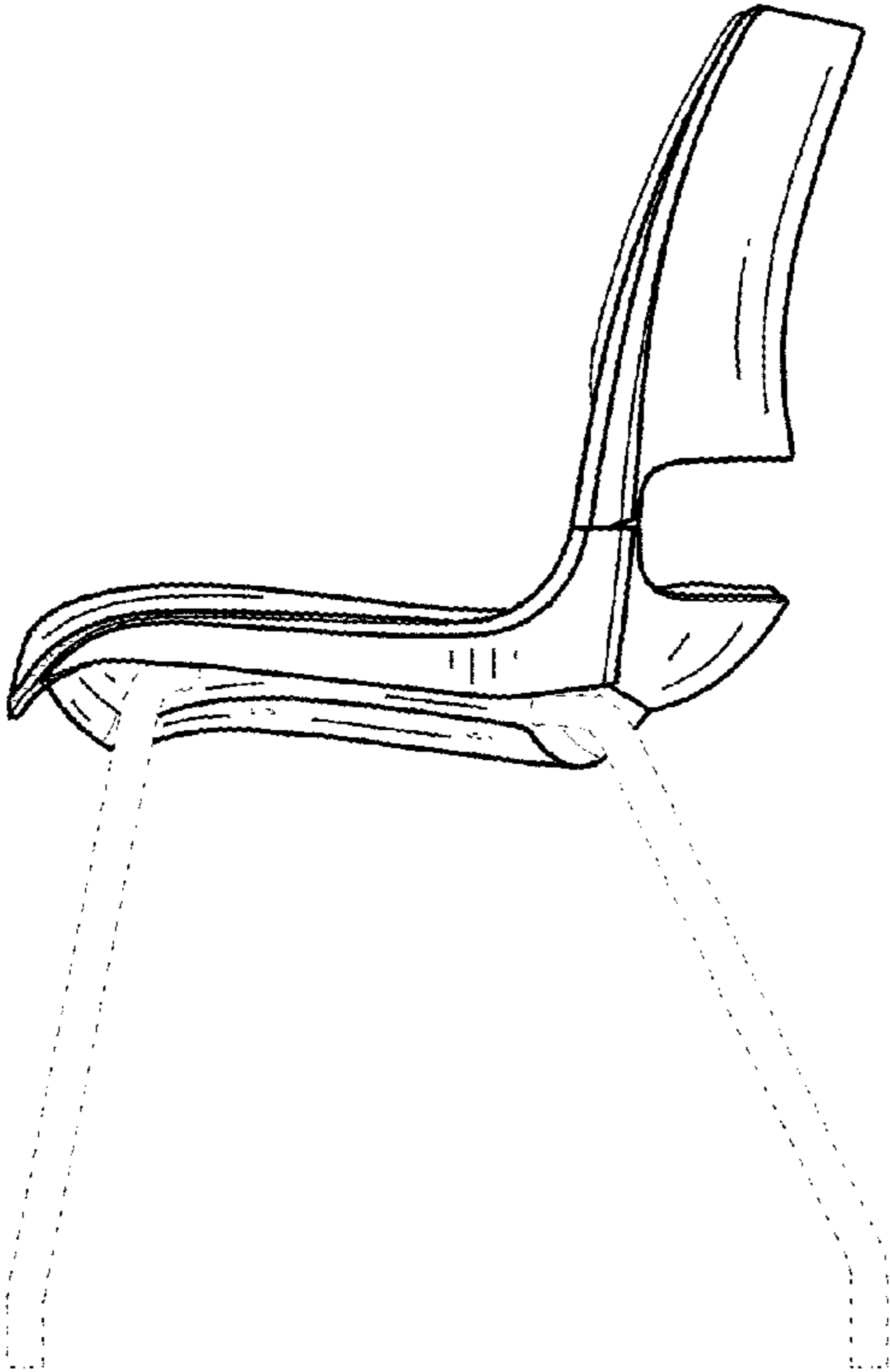


FIG. 11

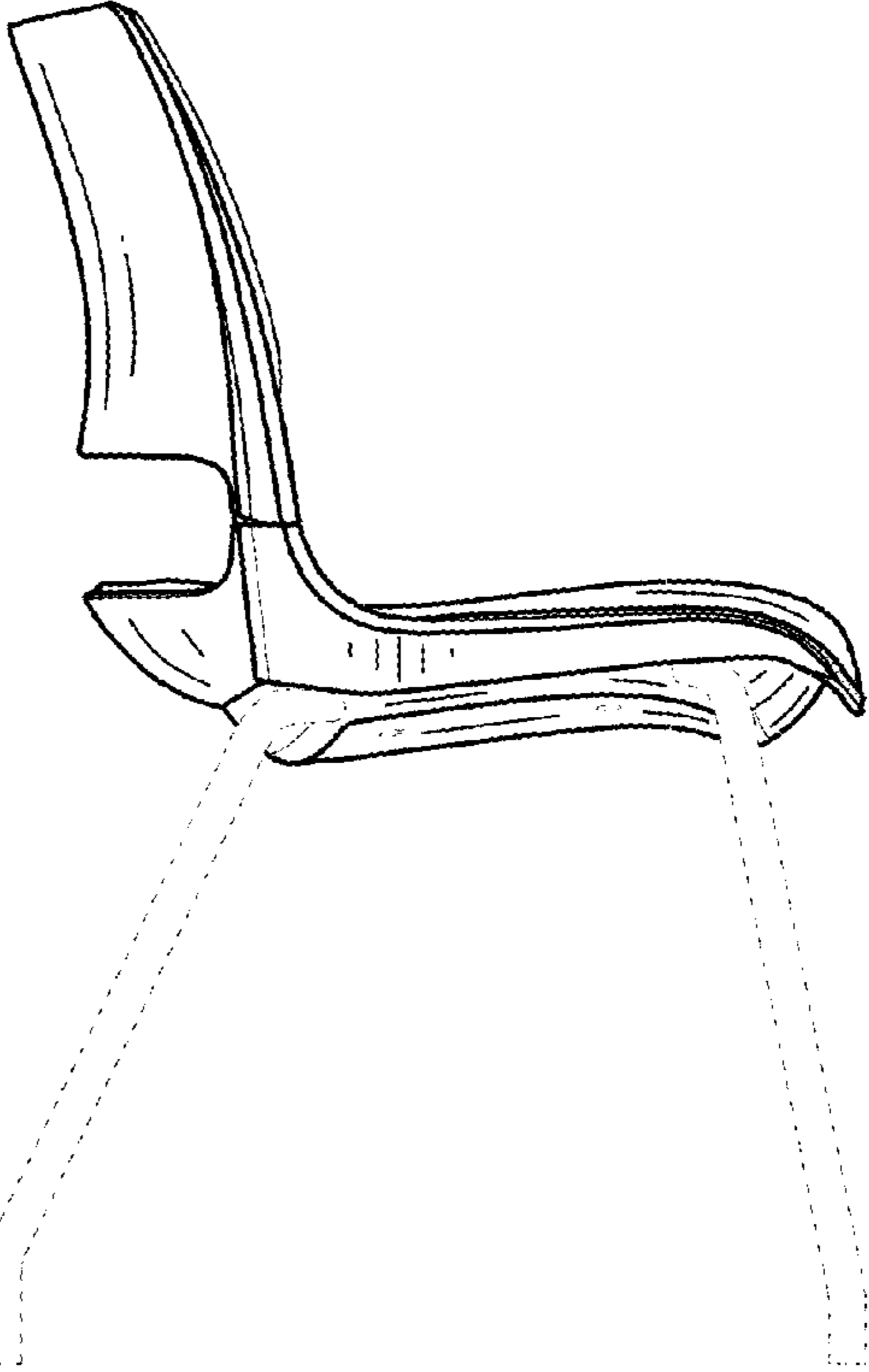


FIG. 12

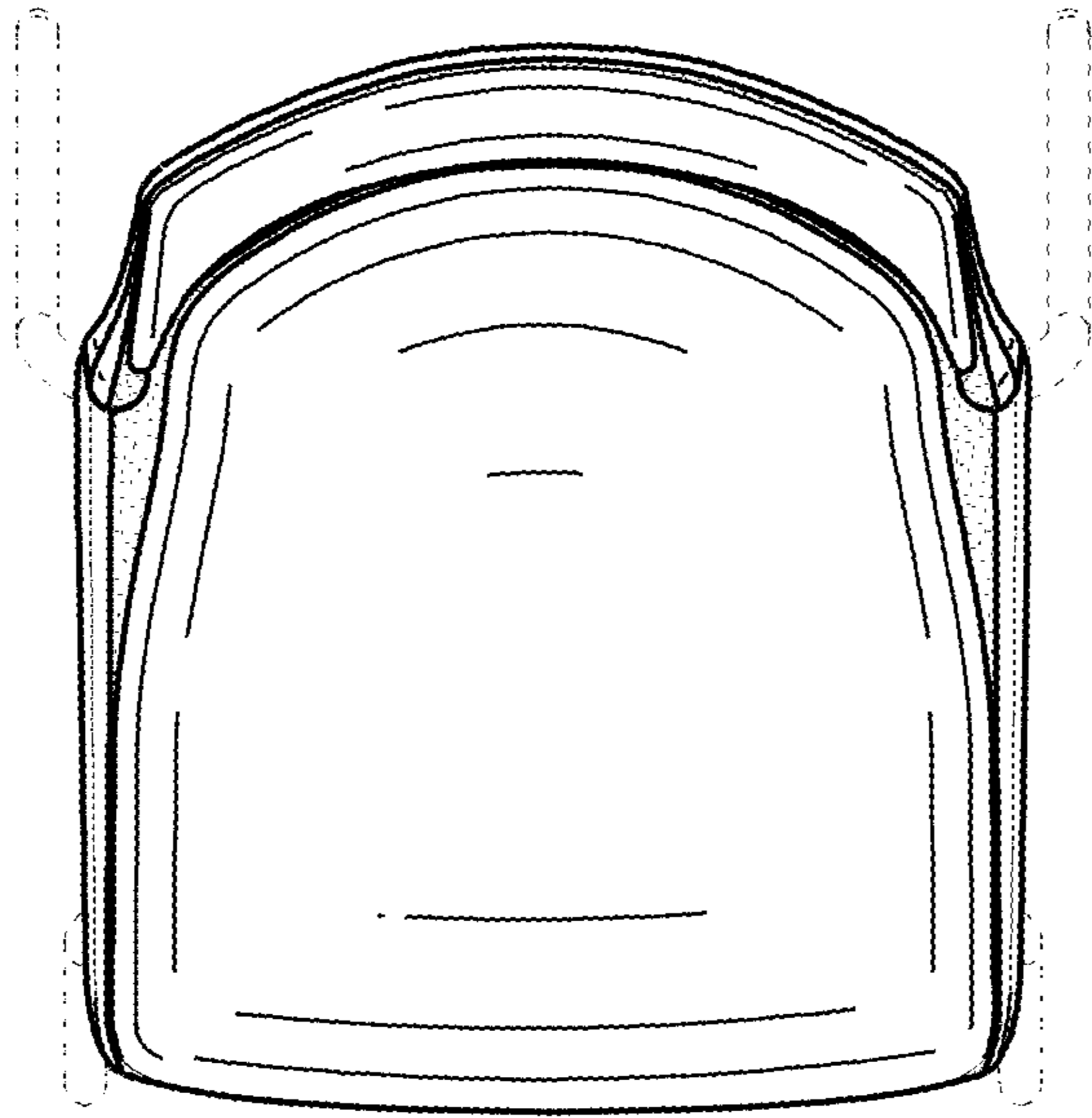


FIG. 13

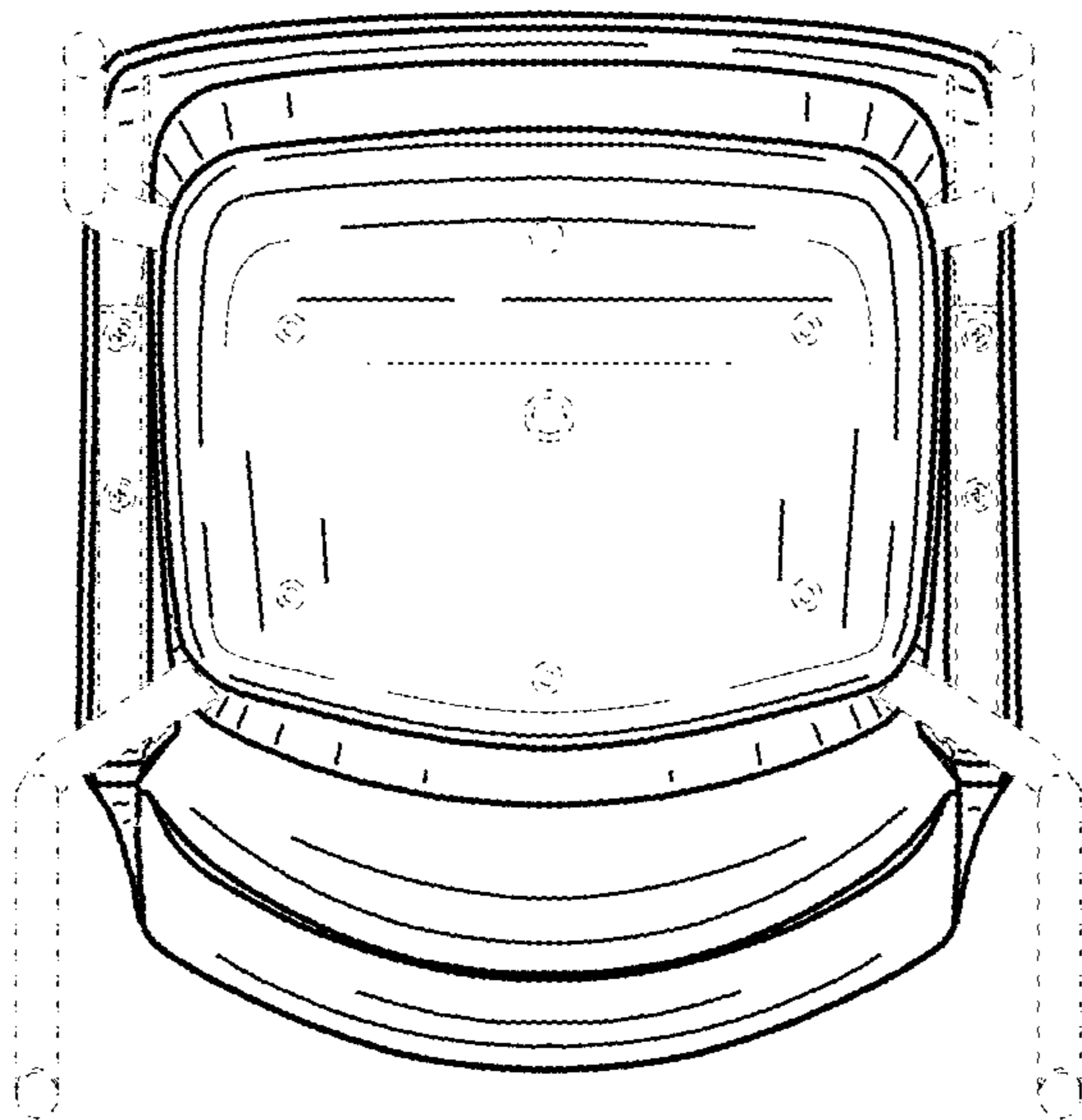


FIG. 14

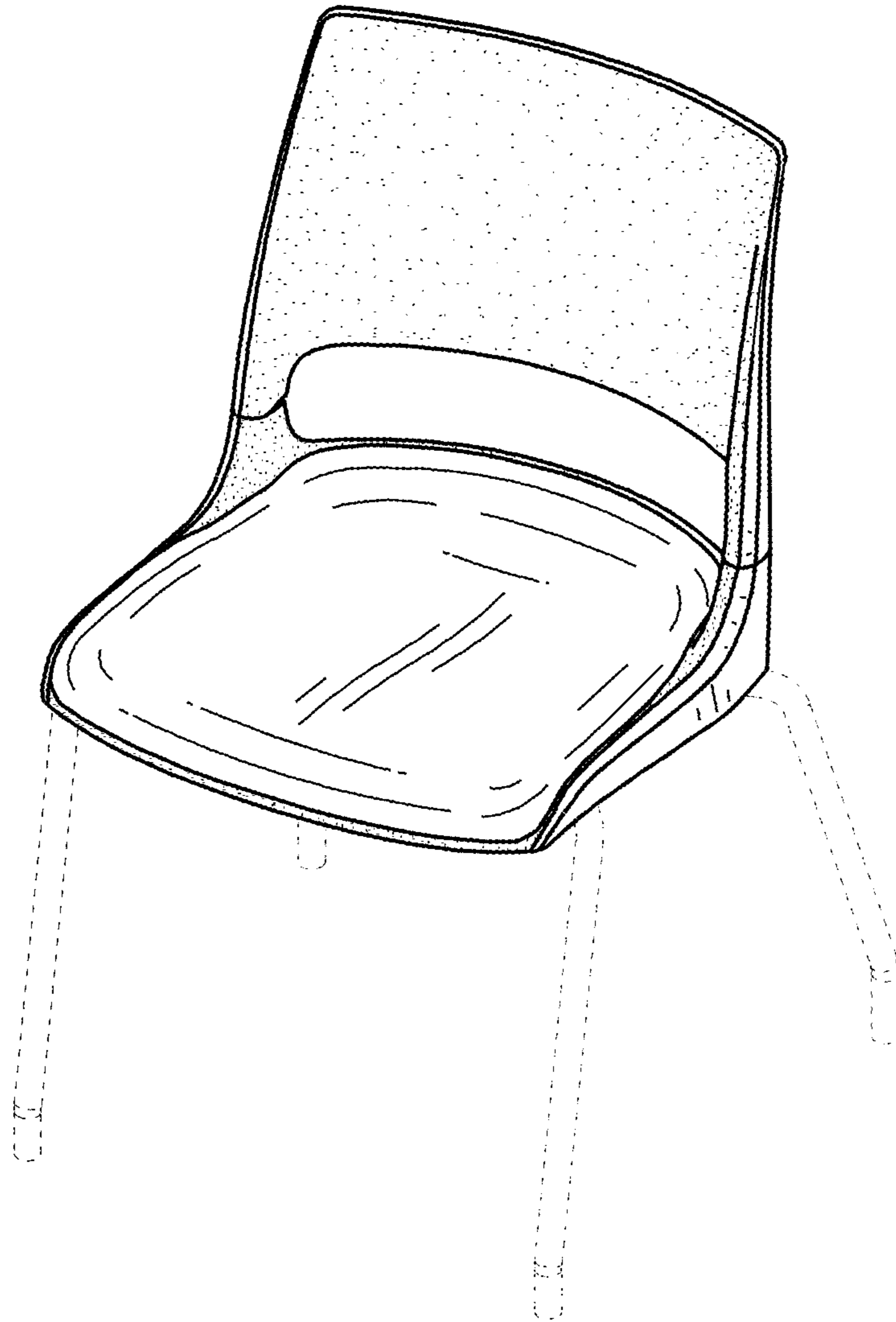


FIG. 15

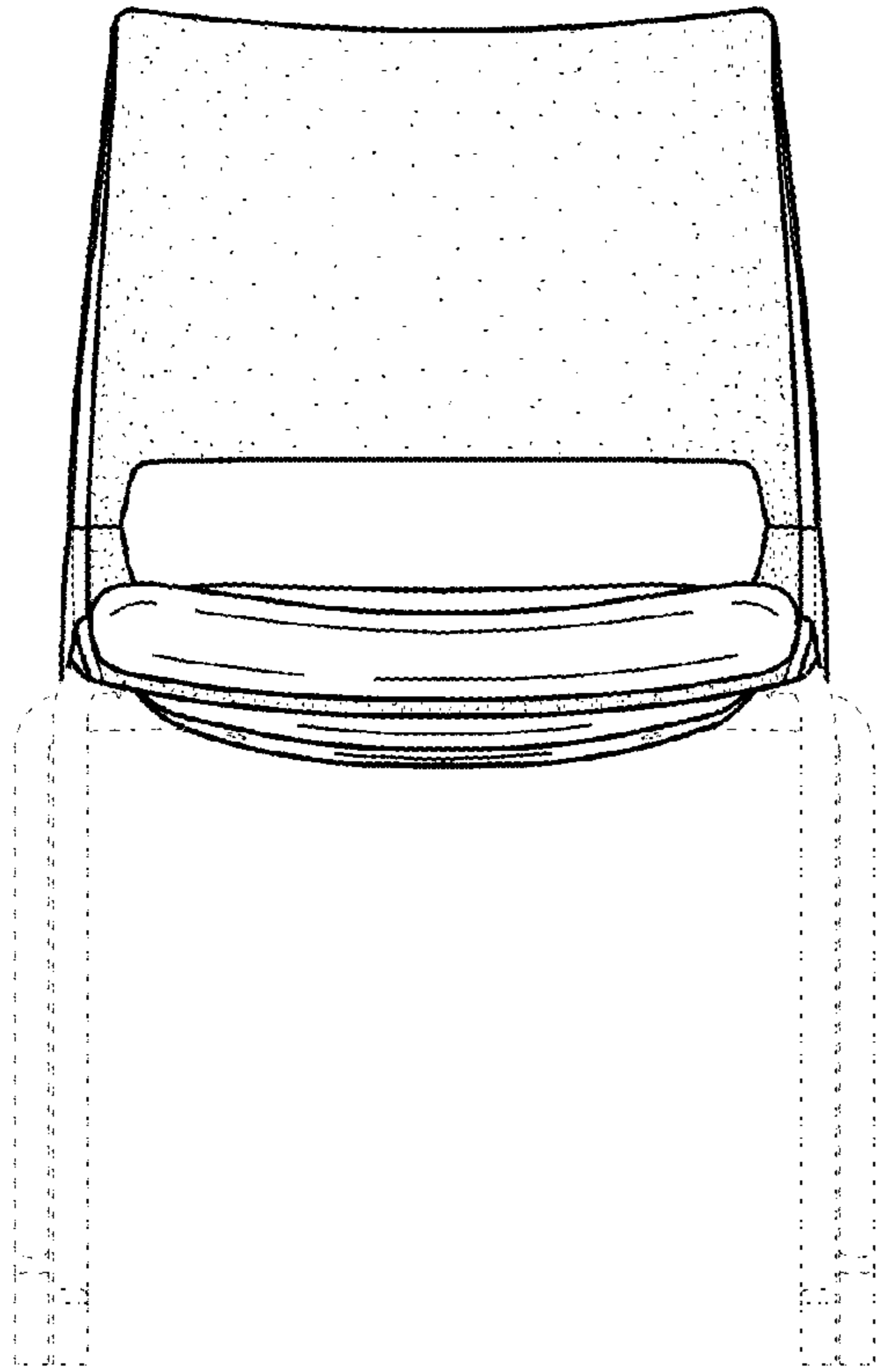


FIG. 16

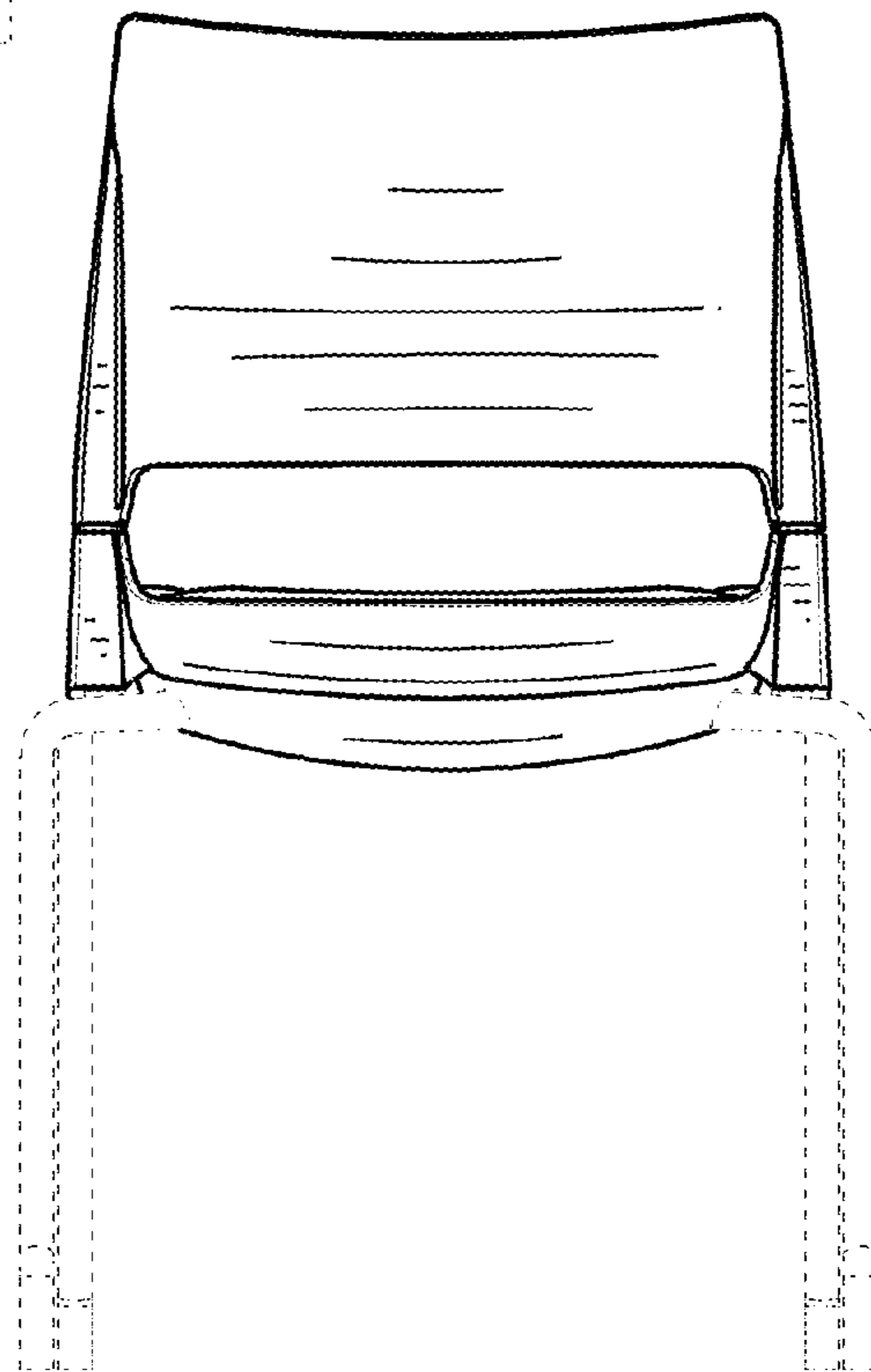


FIG. 17

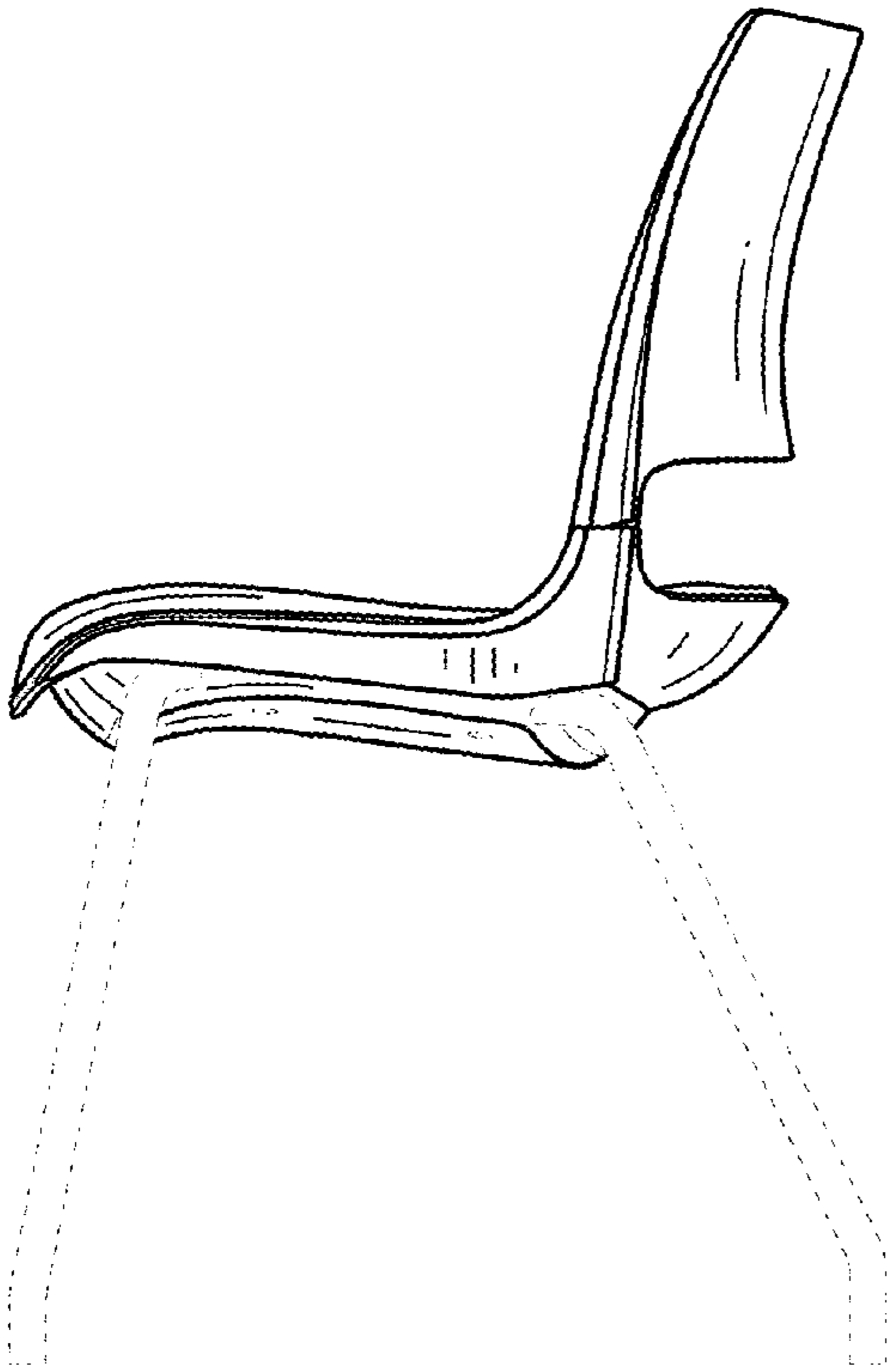


FIG. 18

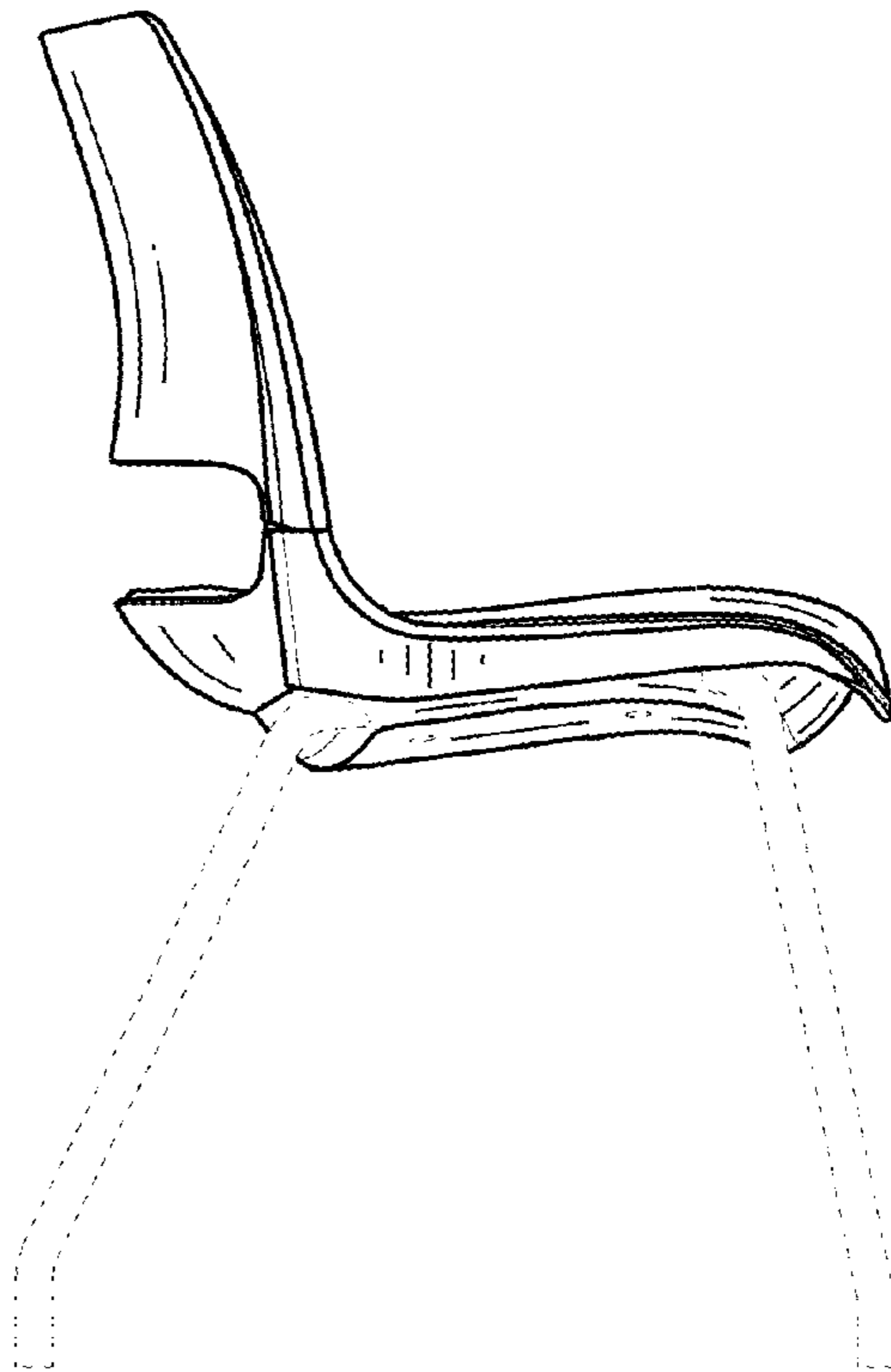


FIG. 19

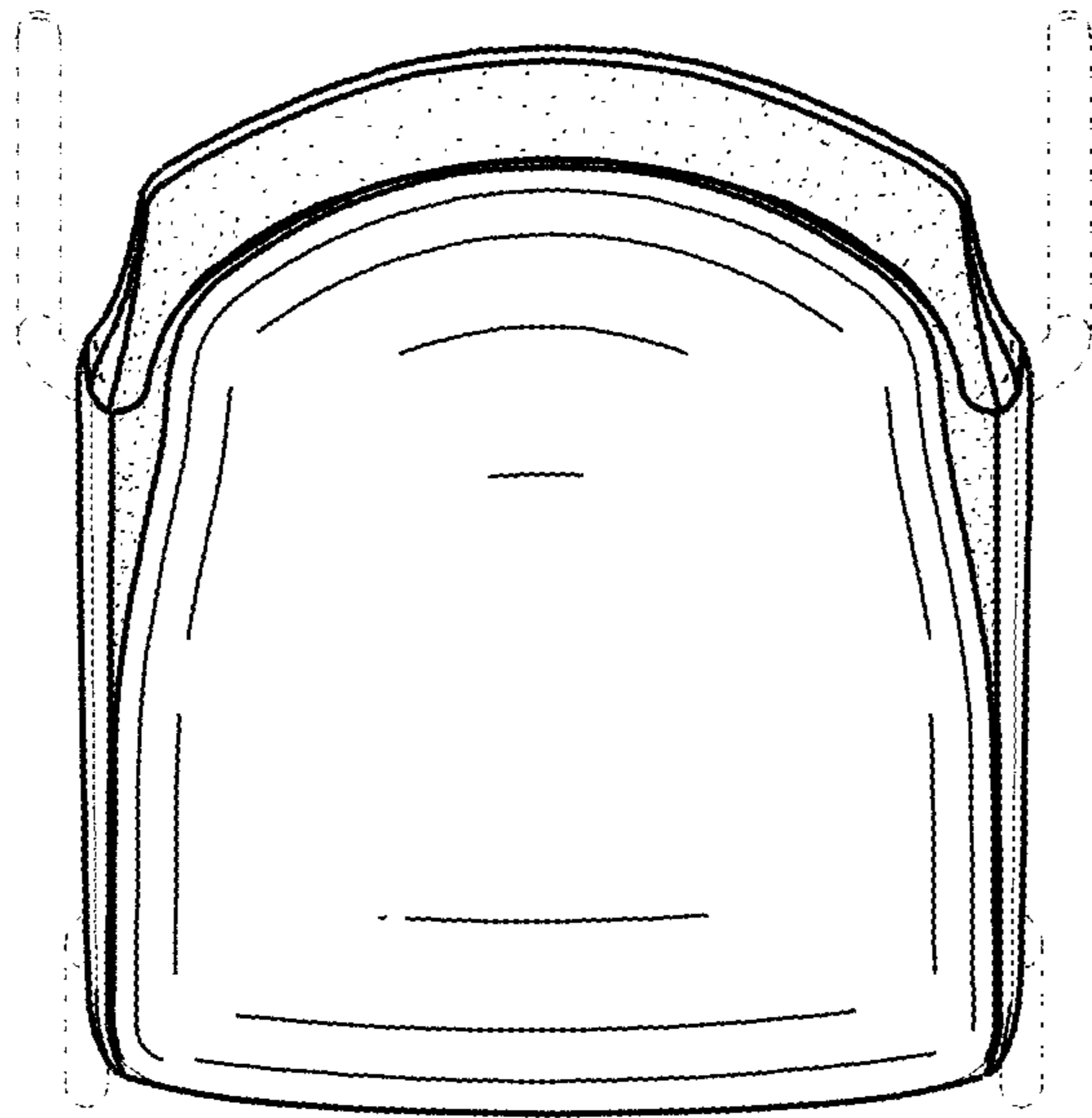


FIG. 20

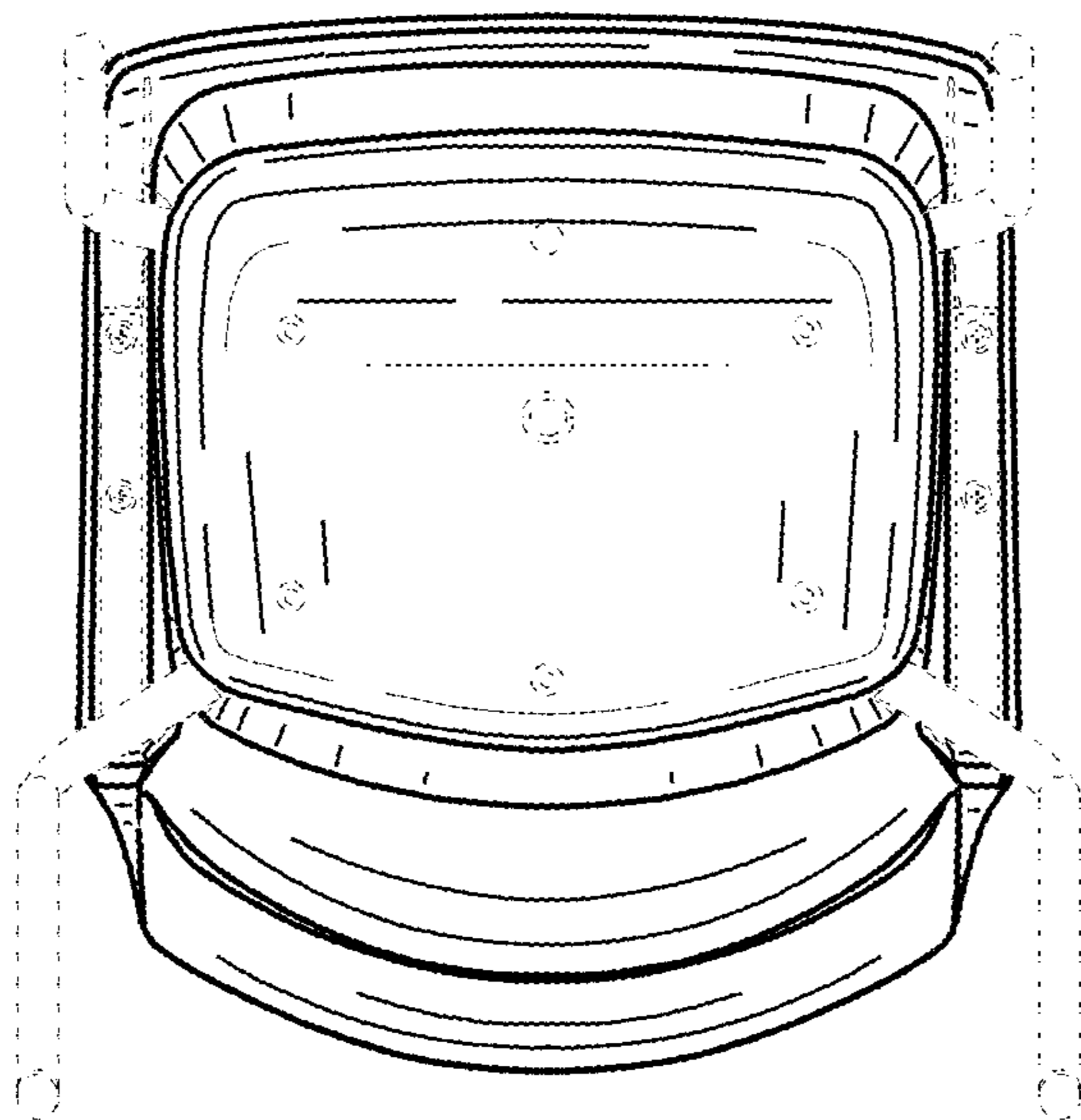


FIG. 21