



US00D761603S

(12) **United States Design Patent**
Standlee

(10) **Patent No.:** **US D761,603 S**
(45) **Date of Patent:** **** Jul. 19, 2016**

- (54) **RETAIL DISPLAY DEVICE**
- (71) Applicant: **Michael G. Standlee**, Eden, ID (US)
- (72) Inventor: **Michael G. Standlee**, Eden, ID (US)
- (**) Term: **15 Years**
- (21) Appl. No.: **29/526,905**
- (22) Filed: **May 13, 2015**
- (51) **LOC (10) Cl.** **06-06**
- (52) **U.S. Cl.**
USPC **D6/682.4**
- (58) **Field of Classification Search**
USPC D6/672, 678, 680.2, 682, 682.1, 682.2,
D6/682.3, 682.4, 407, 626-629
CPC A47F 7/00; A47F 7/0021; A47F 7/0057;
A47F 7/0028
See application file for complete search history.

D427,835 S * 7/2000 Tisbo D6/629
7,530,465 B2 * 5/2009 Holland B65F 1/0053
220/23.86
8,662,325 B2 * 3/2014 Davis A47B 57/585
211/151

* cited by examiner

Primary Examiner — Kelley Donnelly

(74) *Attorney, Agent, or Firm* — Eric M Barzee

(57) **CLAIM**

The ornamental design for a retail display device, as shown and described.

DESCRIPTION

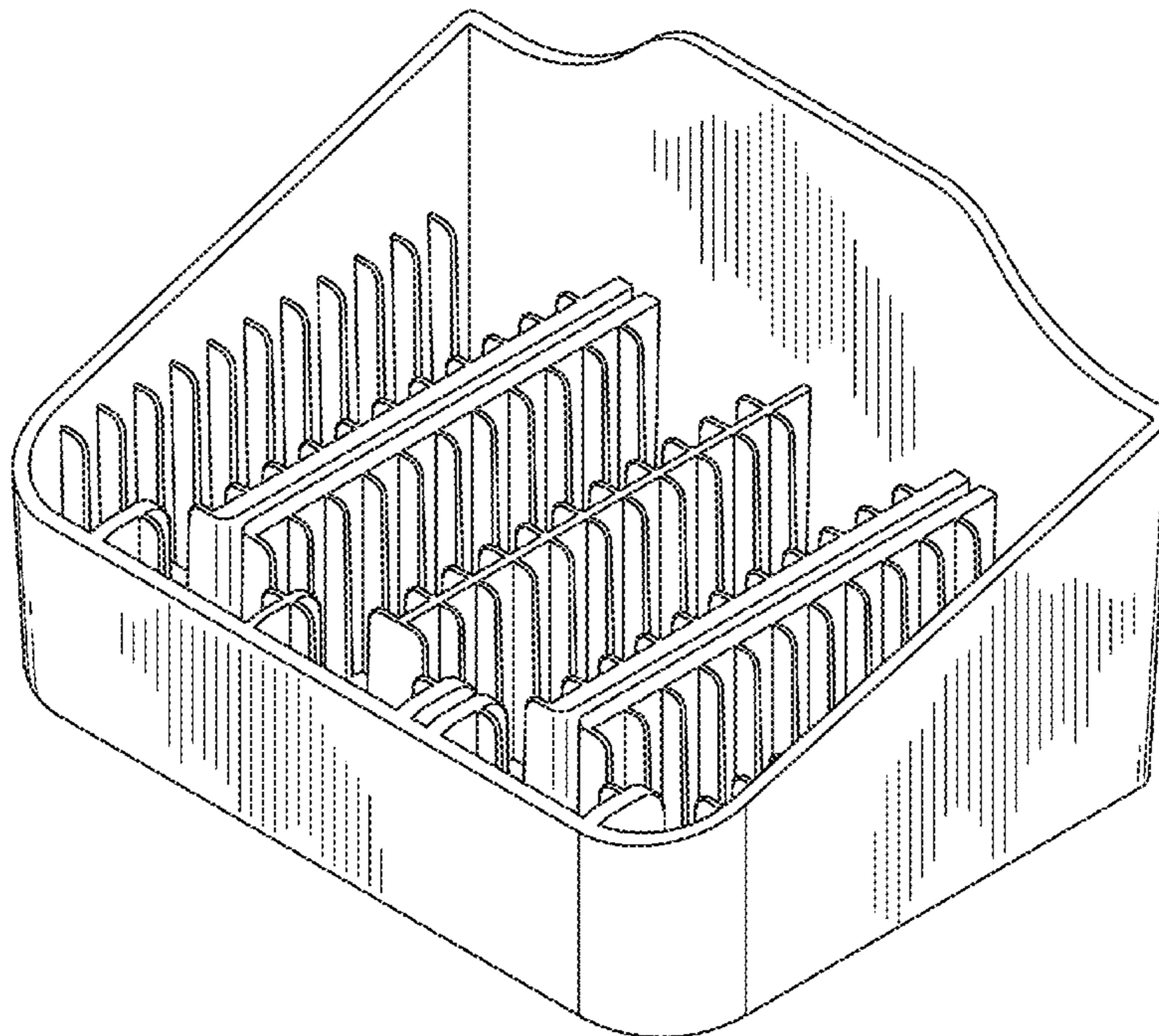
FIG. 1 is a perspective view of the retail display device according to the present invention.
 FIG. 2 is a front view of the retail display device according to the present invention.
 FIG. 3 is a rear view of the retail display device according to the present invention.
 FIG. 4 is a side view of the retail display device according to the present invention.
 FIG. 5 is a side view of the retail display device according to the present invention.
 FIG. 6 is a top view of the retail display device according to the present invention; and,
 FIG. 7 is a bottom view of the retail display device according to the present invention.
 The broken lines are for illustrative purposes only and form no part of the claimed design.
 The retail display device is intended to be used to display goods in retail establishments and may be attached to a shelving unit or displayed on a shelf or counter.

(56) **References Cited**

U.S. PATENT DOCUMENTS

D181,901 S * 1/1958 Clarke D6/407
 D182,494 S * 4/1958 Berlin D6/407
 2,915,193 A * 12/1959 Bromberg A47F 5/005
 108/61
 D243,647 S * 3/1977 Schoenfeld D6/682.4
 D253,443 S * 11/1979 Beder D19/90
 D253,444 S * 11/1979 Mathus D6/407
 D259,527 S * 6/1981 Bartholomew, Jr. D6/571
 D263,907 S * 4/1982 Pepicelli, Jr. D6/629
 4,655,345 A * 4/1987 Drake G11B 33/0433
 206/308.1
 D293,396 S * 12/1987 Womack D6/407
 D331,337 S * 12/1992 Krinke D6/683.1

1 Claim, 4 Drawing Sheets



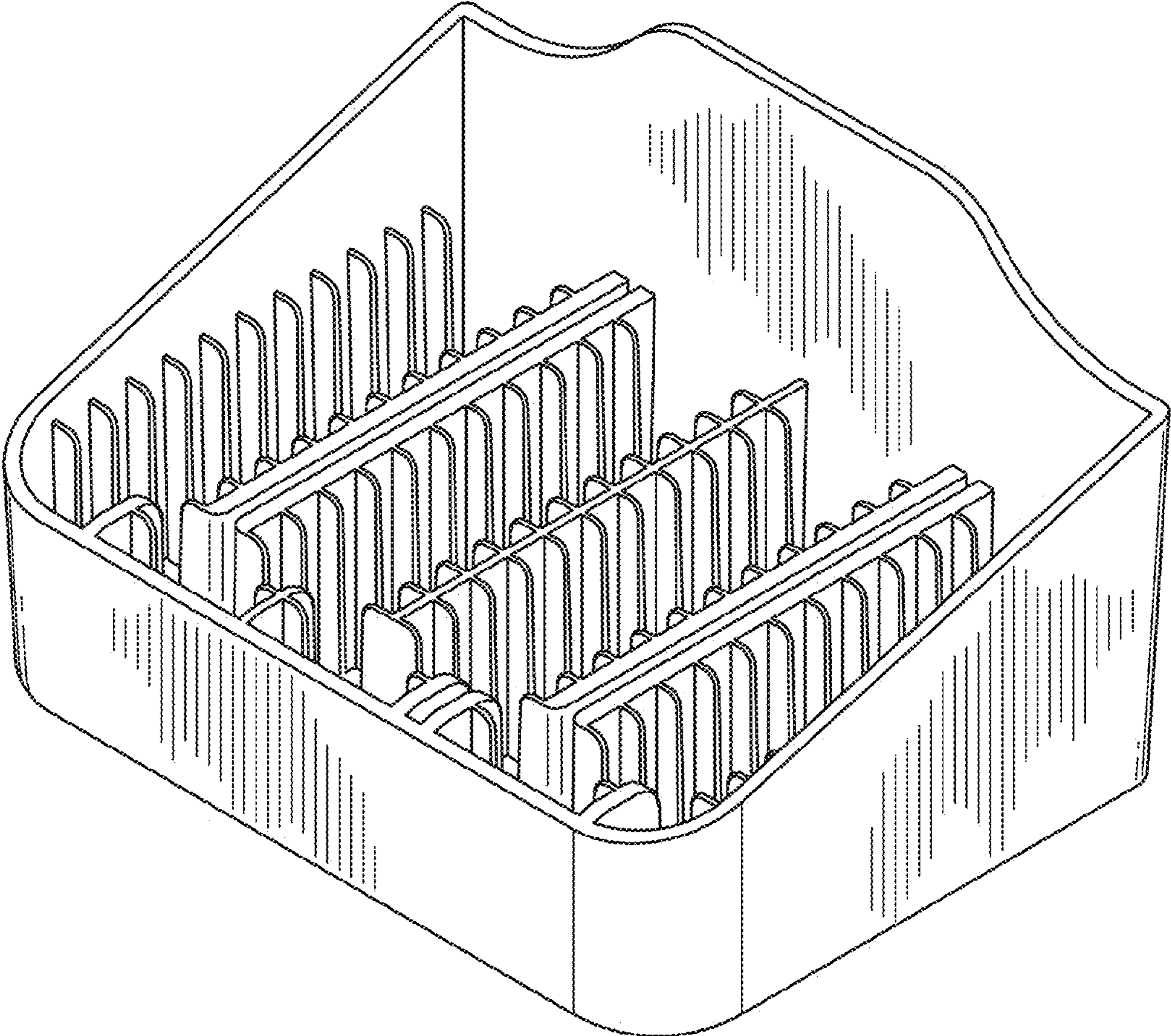


FIG. 1

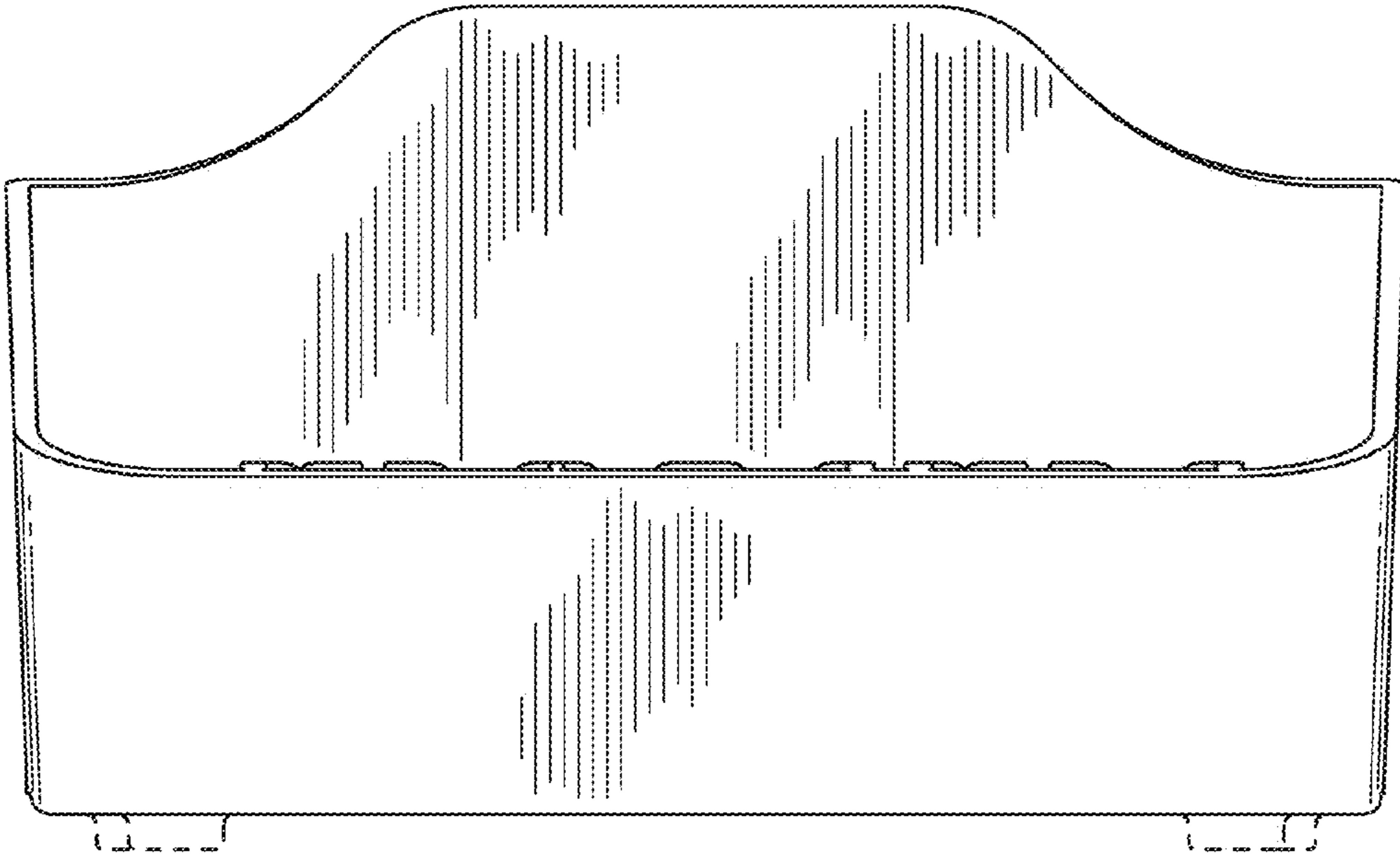


FIG. 2

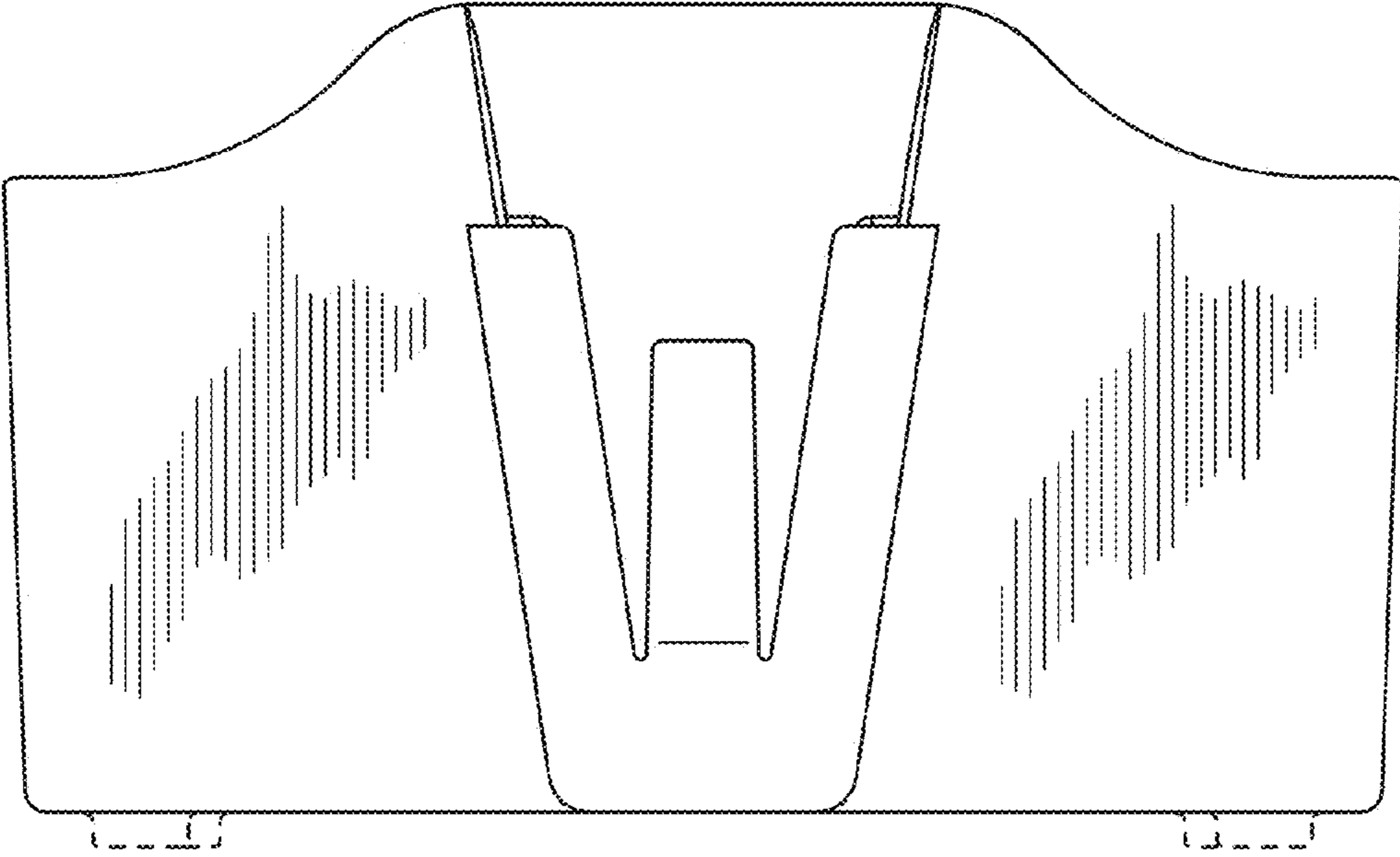


FIG. 3

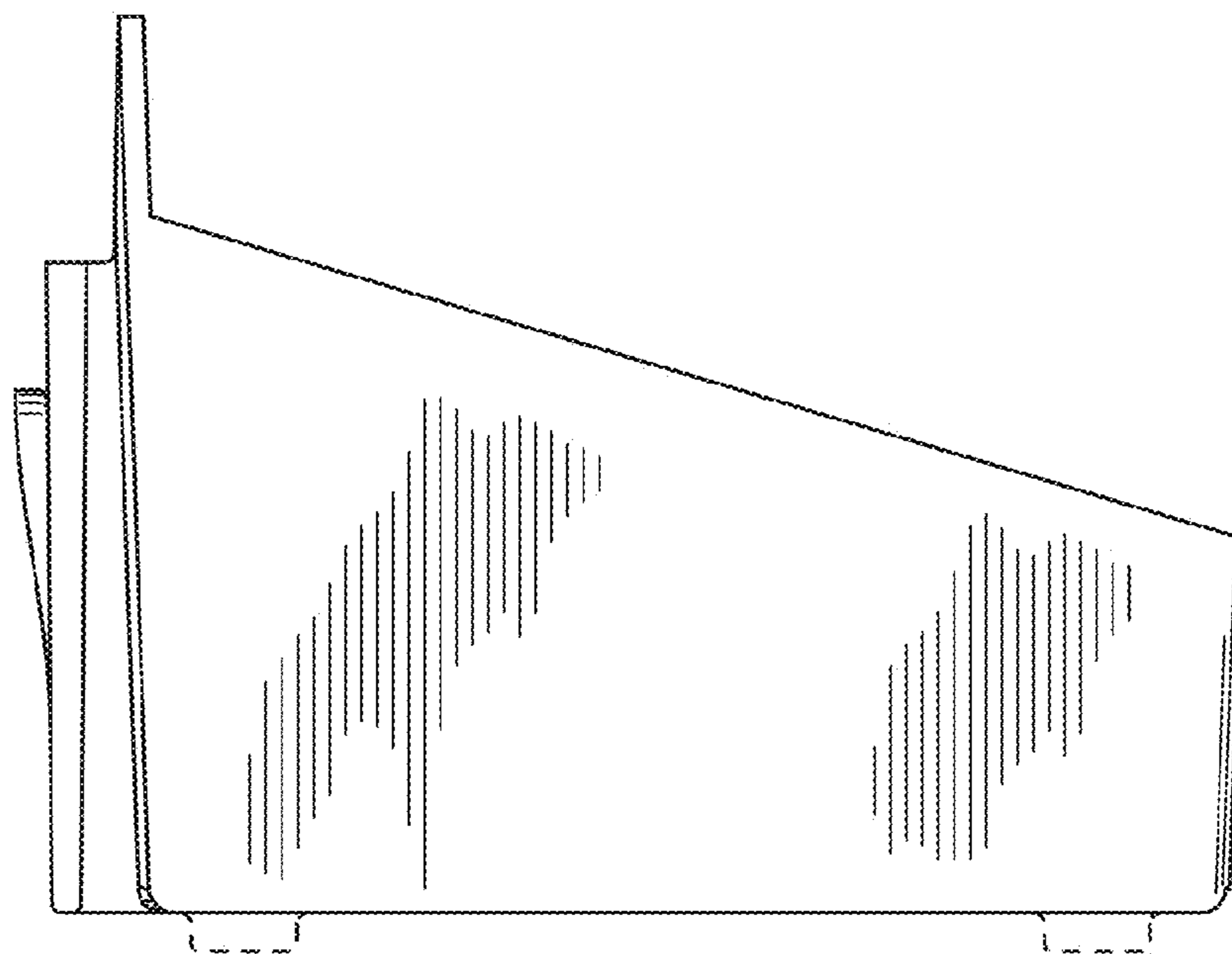


FIG. 4

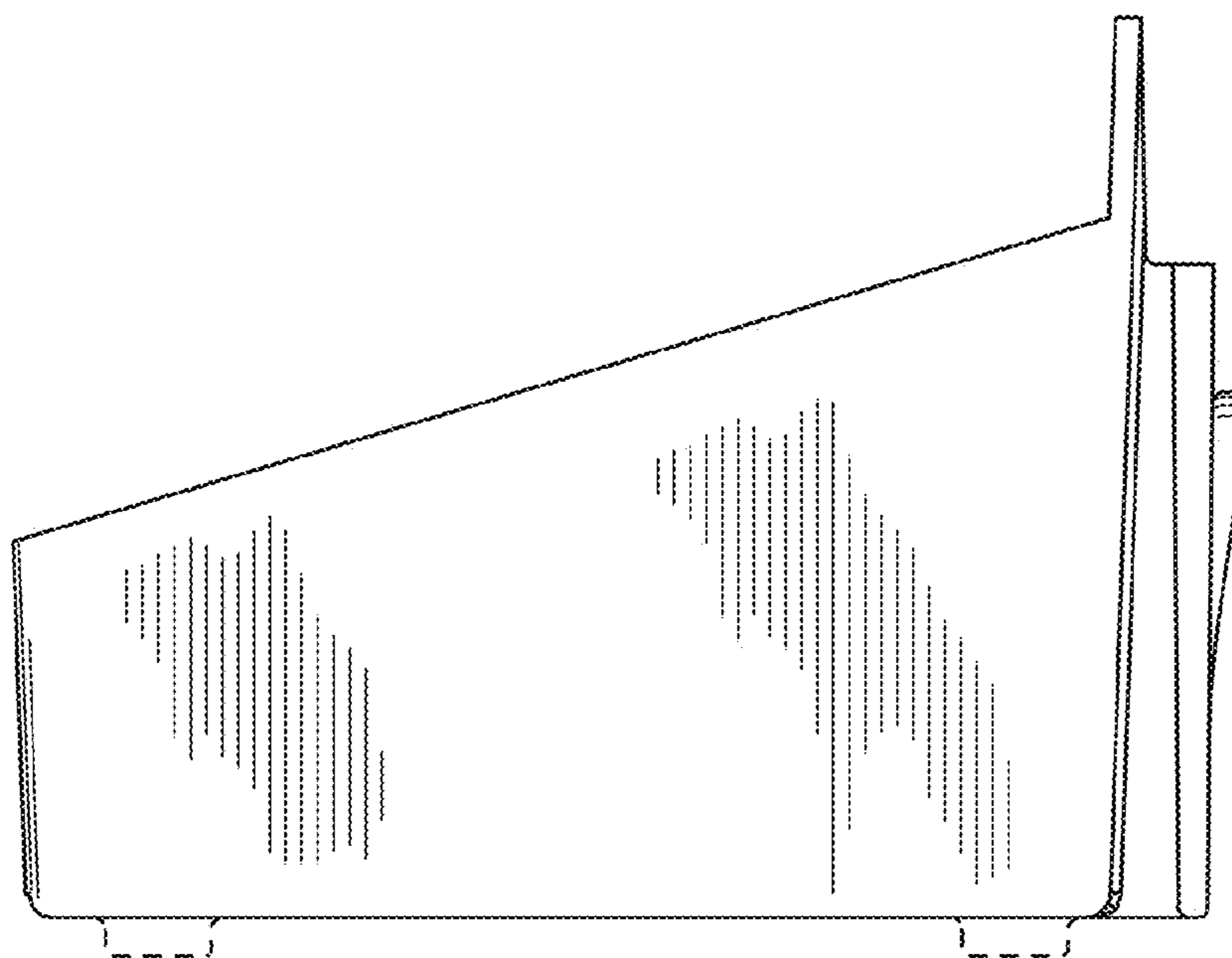


FIG. 5

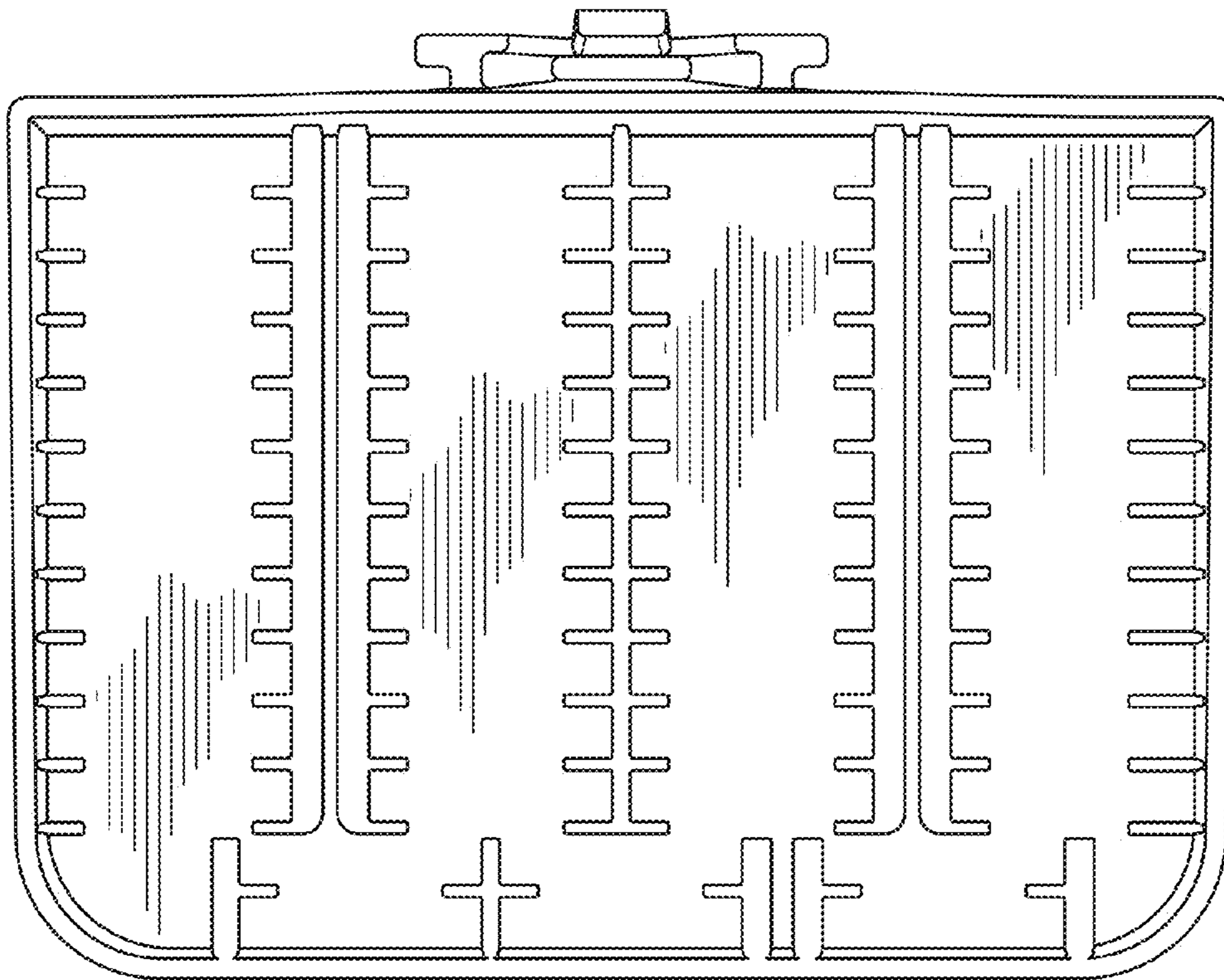


FIG. 6

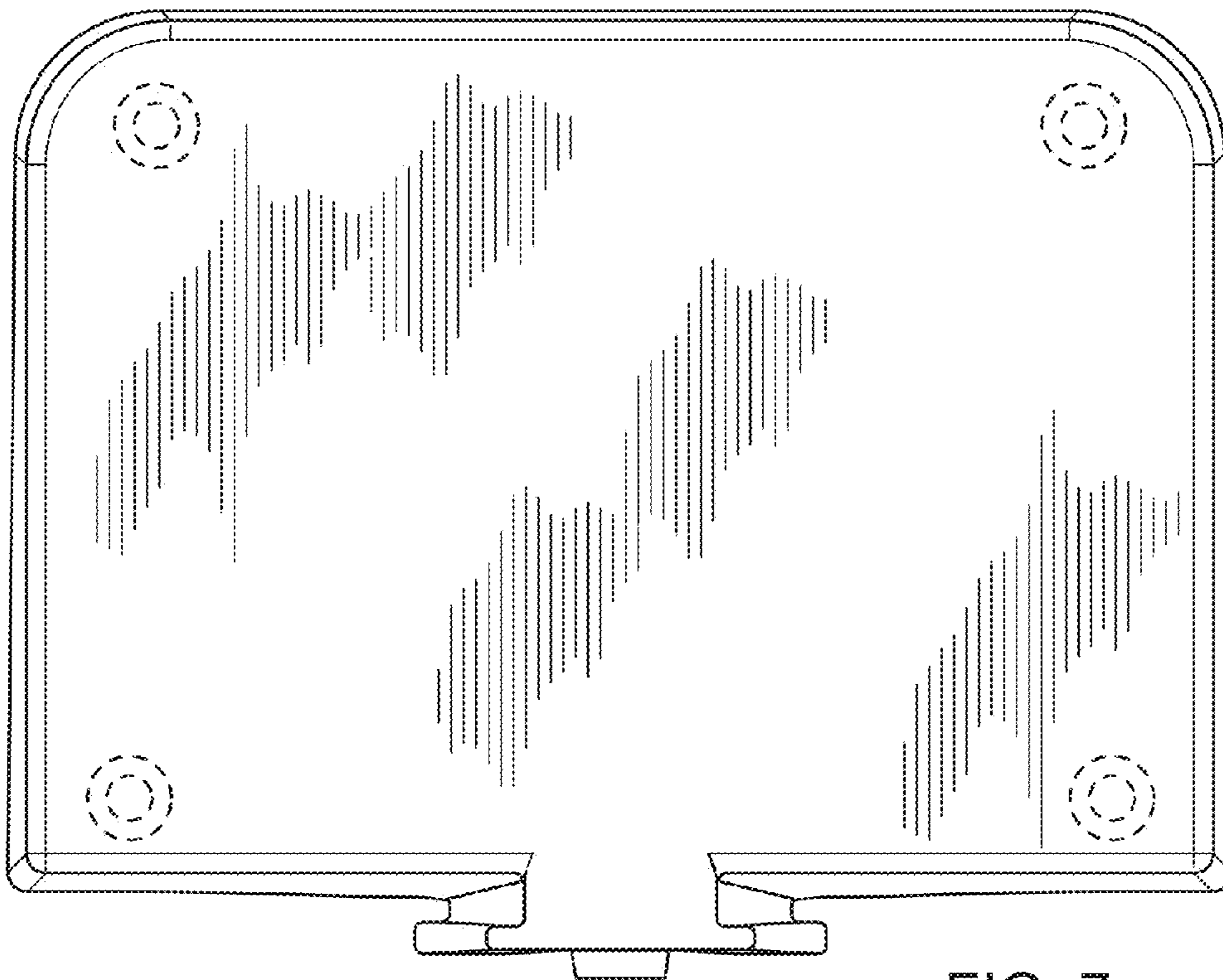


FIG. 7