

US00D761601S

(12) **United States Design Patent**  
**Simmons**

(10) **Patent No.:** **US D761,601 S**  
(45) **Date of Patent:** **\*\* Jul. 19, 2016**

(54) **PURSE ORGANIZING STANDING RACK**

(71) Applicant: **Jannie Simmons**, Fayetteville, GA (US)

(72) Inventor: **Jannie Simmons**, Fayetteville, GA (US)

(\*\*) Term: **14 Years**

(21) Appl. No.: **29/514,669**

(22) Filed: **Jan. 15, 2015**

(51) **LOC (10) Cl.** ..... **06-04**

(52) **U.S. Cl.**  
USPC ..... **D6/681**

(58) **Field of Classification Search**  
USPC ..... D6/681, 681.1, 681.3, 682.1, 682.6,  
D6/512, 521, 317, 552  
CPC . A47G 25/10; A47G 25/746; A47G 25/4023;  
A47F 5/0025; Y10S 248/914; Y10S 248/915;  
Y10S 2/92

See application file for complete search history.

D339,249 S *	9/1993	Wu	.....	D6/681.1
5,318,189 A *	6/1994	Lee		
5,509,545 A *	4/1996	Banke		
D379,878 S *	6/1997	Vassallo	.....	D6/681.1
D390,725 S *	2/1998	Vairo	.....	D6/681.3
D390,737 S *	2/1998	Strnad	.....	D6/552
D391,419 S *	3/1998	Walters	.....	D6/404
D410,804 S *	6/1999	Murray	.....	D6/681
D458,485 S *	6/2002	Tramontina	.....	D6/515
6,568,546 B1	5/2003	Huang		
D488,338 S *	4/2004	Nelson	.....	D6/512
D496,191 S *	9/2004	Johnson	.....	D6/681.3
D534,012 S *	12/2006	Lee, Sr.	.....	D6/681.1
D595,518 S *	7/2009	Zapanta	.....	D6/681.1
D617,997 S *	6/2010	Johnson	.....	D6/315
D624,332 S *	9/2010	Nwatu	.....	D20/32
D625,937 S *	10/2010	Goldstein	.....	D6/681.3
8,016,133 B1	9/2011	Calabrisotto et al.		
D655,530 S *	3/2012	Denby	.....	D6/681.1
D664,374 S *	7/2012	Capella	.....	D6/681.3
D664,788 S *	8/2012	Baylon	.....	D6/681.1
D699,486 S *	2/2014	Huang	.....	D6/681.3
D719,769 S *	12/2014	Daniels	.....	D6/682.1
D722,461 S *	2/2015	Braun	.....	D3/234
D722,796 S *	2/2015	Lievore	.....	D6/681.1

\* cited by examiner

*Primary Examiner* — John Windmuller  
*Assistant Examiner* — Steven Czyn

(56) **References Cited**

U.S. PATENT DOCUMENTS

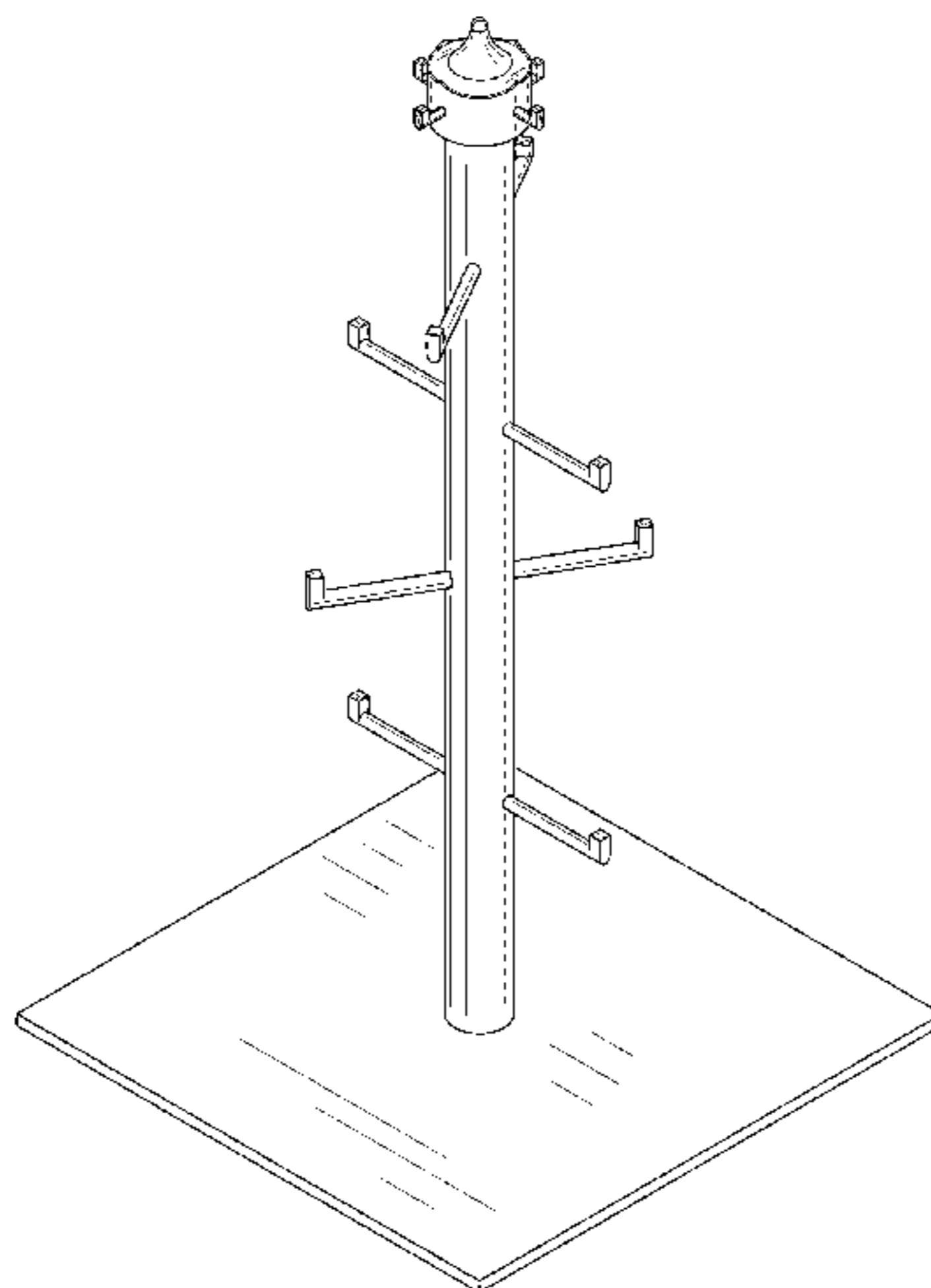
607,310 A *	7/1898	Wellock et al.	.....	A47F 7/06 211/197
896,990 A *	8/1908	Hill		
1,137,900 A *	5/1915	Reichert et al.	.....	A47F 5/02 211/163
1,292,931 A *	1/1919	Van Etten		
D78,823 S *	6/1929	Konikoff et al.	.....	D11/164
D171,659 S *	3/1954	Neagle et al.	.....	D6/681.1
3,146,892 A *	9/1964	White	.....	A47F 7/24 211/204
3,204,779 A *	9/1965	Warner	.....	A47F 5/13 211/182
3,303,938 A *	2/1967	Solomon	.....	A47F 7/24 211/182
D216,450 S *	1/1970	Chiarello et al.	.....	D34/17
D243,214 S *	2/1977	Wenger	.....	D6/681
D255,292 S *	6/1980	Gibson	.....	D6/681.1
D301,094 S *	5/1989	Muxlow	.....	D6/681.1
4,889,246 A *	12/1989	Lee		
D334,855 S *	4/1993	Harrington	.....	D6/681.3

(57) **CLAIM**  
The ornamental design for a purse organizing standing rack, as shown and described.

**DESCRIPTION**

FIG. 1 is a front view of a purse organizing standing rack showing my new design, a back view being the same;  
FIG. 2 is a left side view of the purse organizing standing rack, a right side view being the same;  
FIG. 3 is a top view of the purse organizing standing rack;  
FIG. 4 is a bottom view of the purse organizing standing rack;  
and,  
FIG. 5 is a top front side perspective view of the purse organizing standing rack.

**1 Claim, 5 Drawing Sheets**



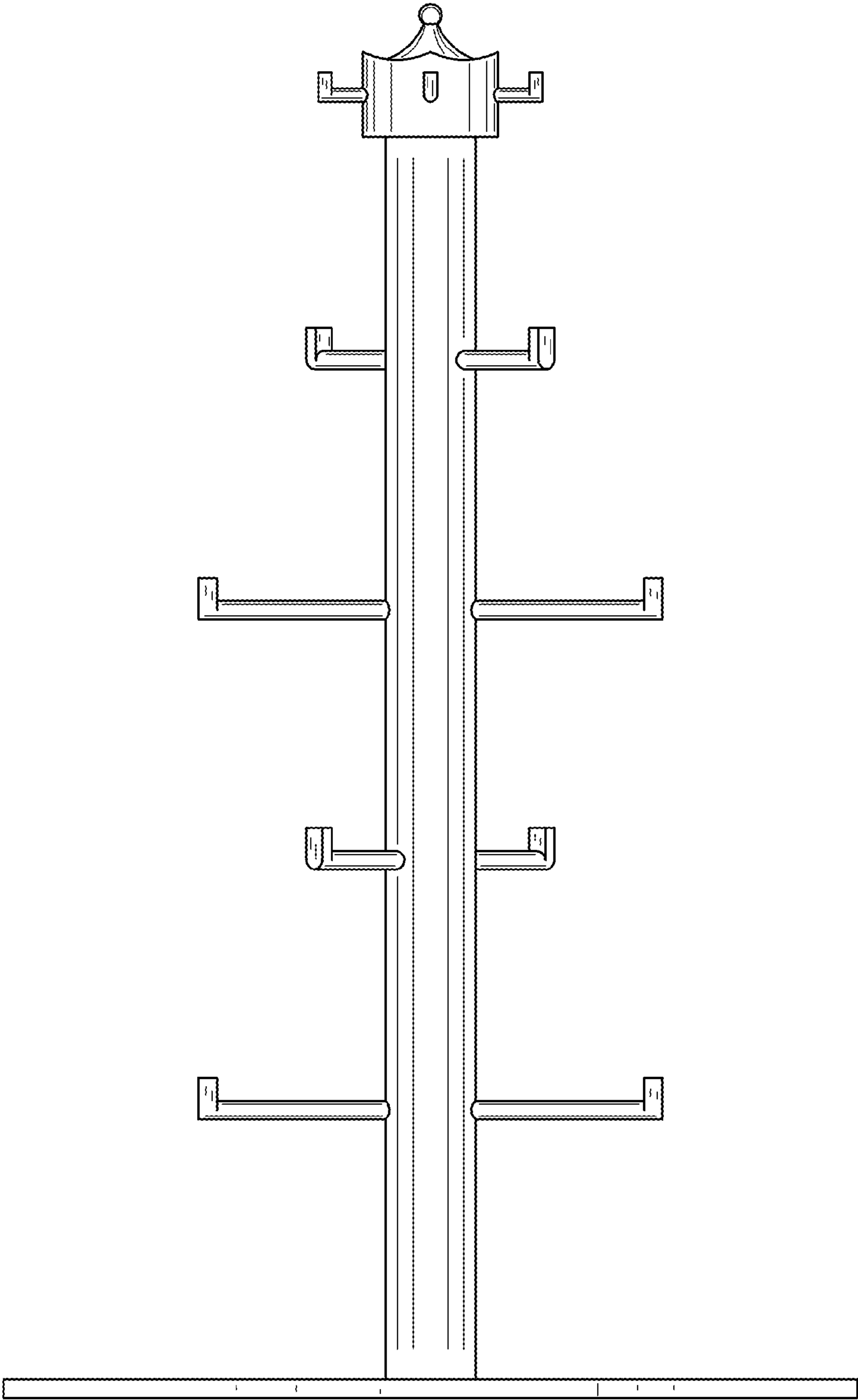


FIG. 1

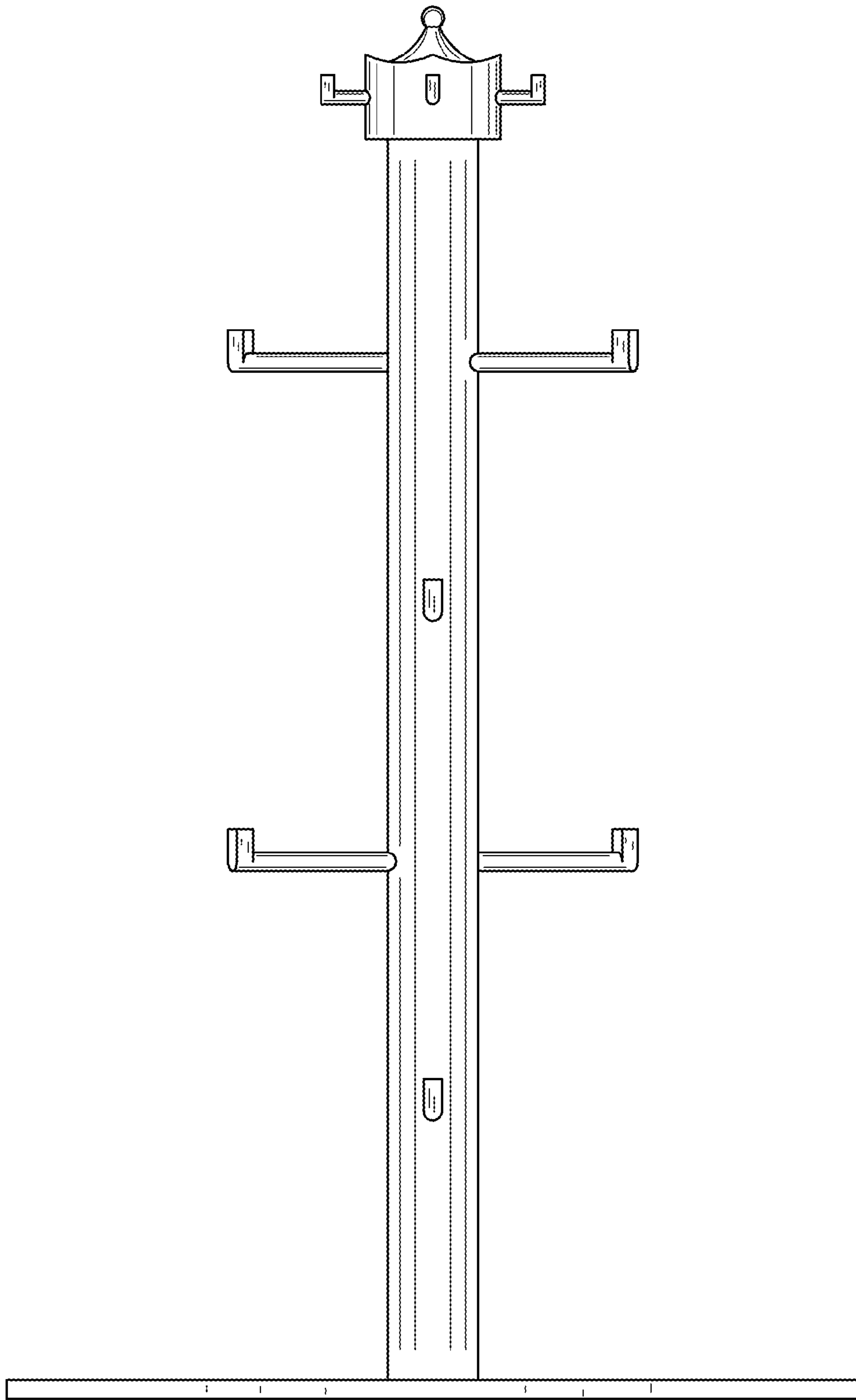


FIG. 2

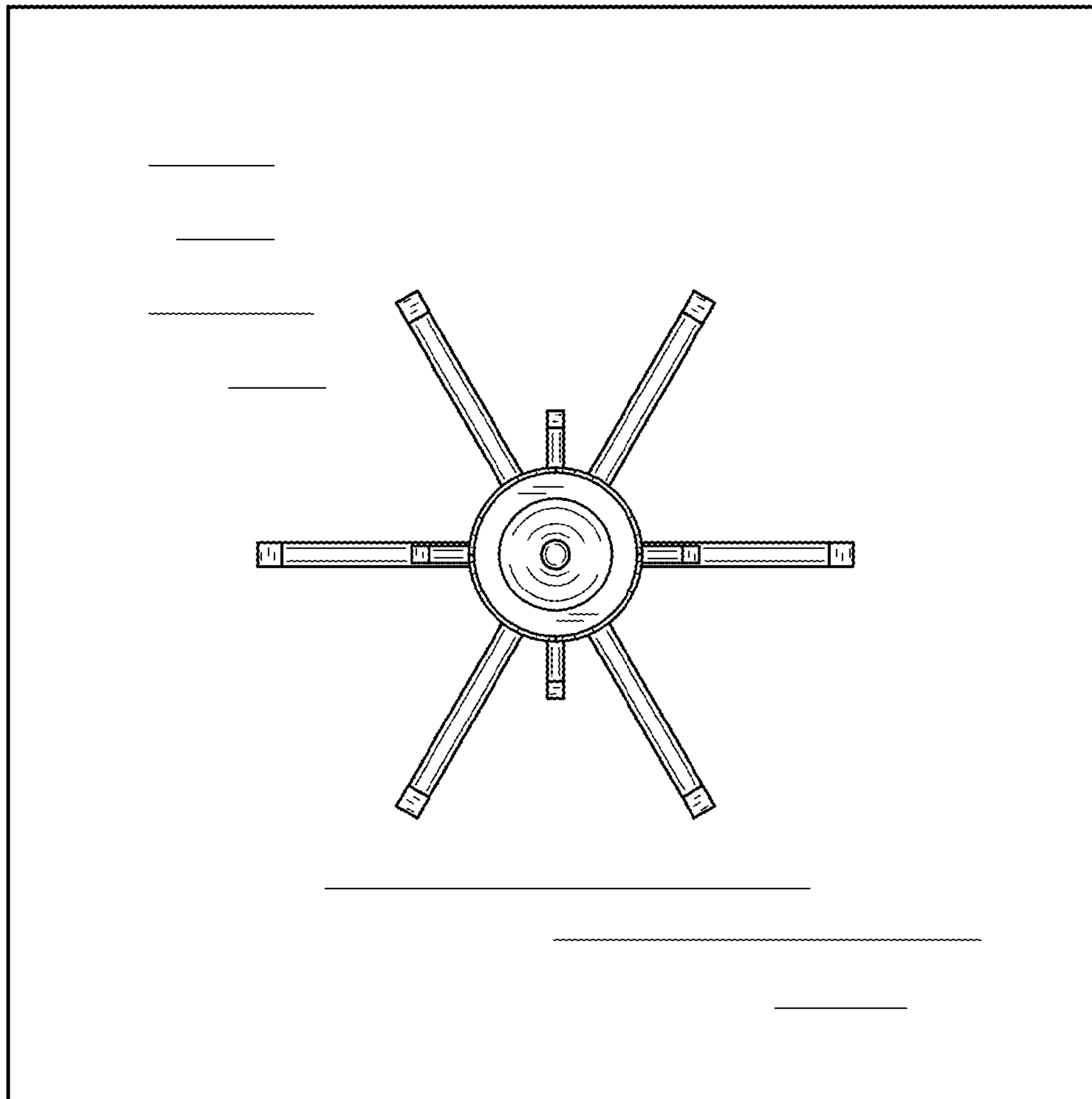


FIG. 3

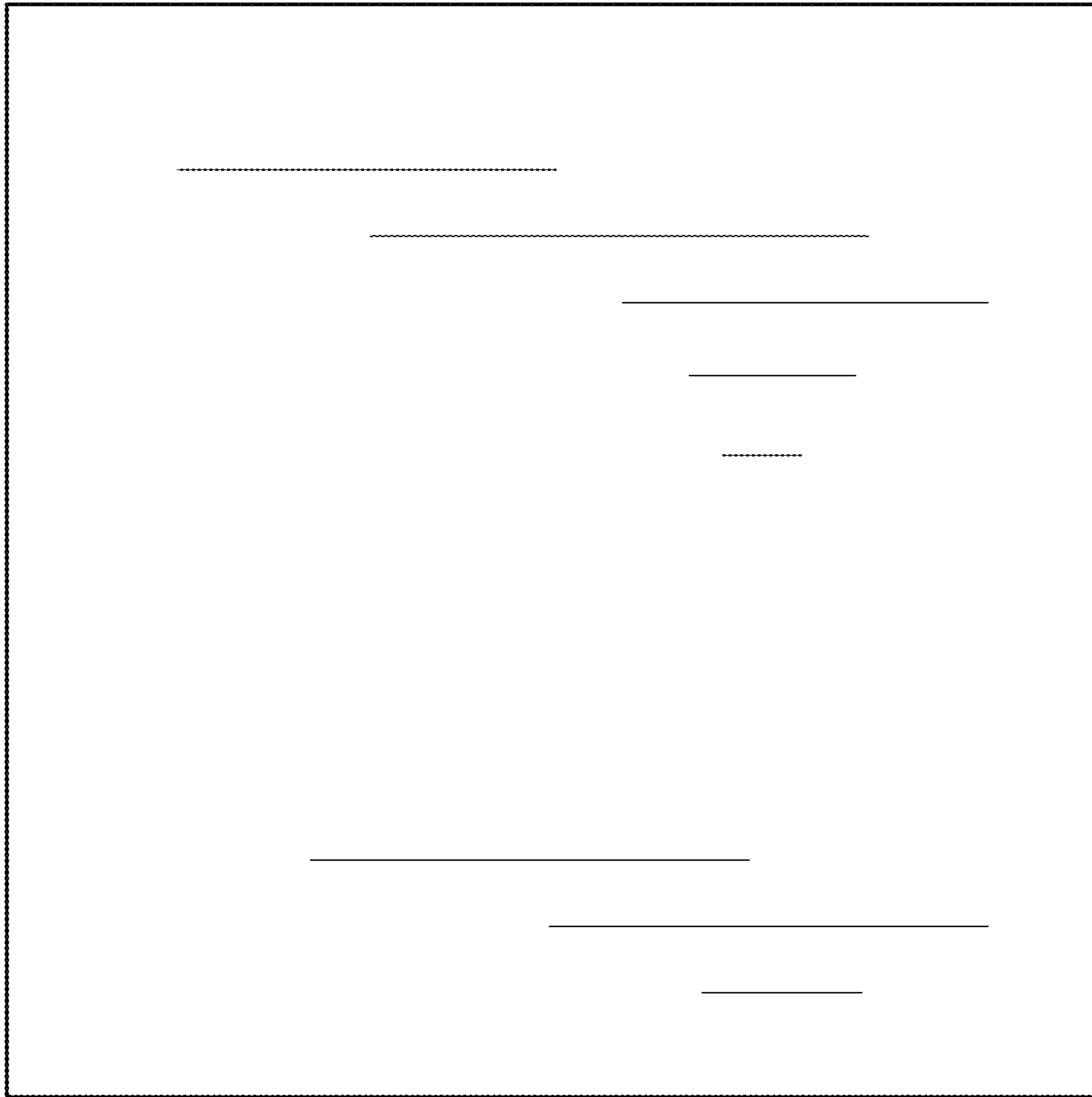


FIG. 4

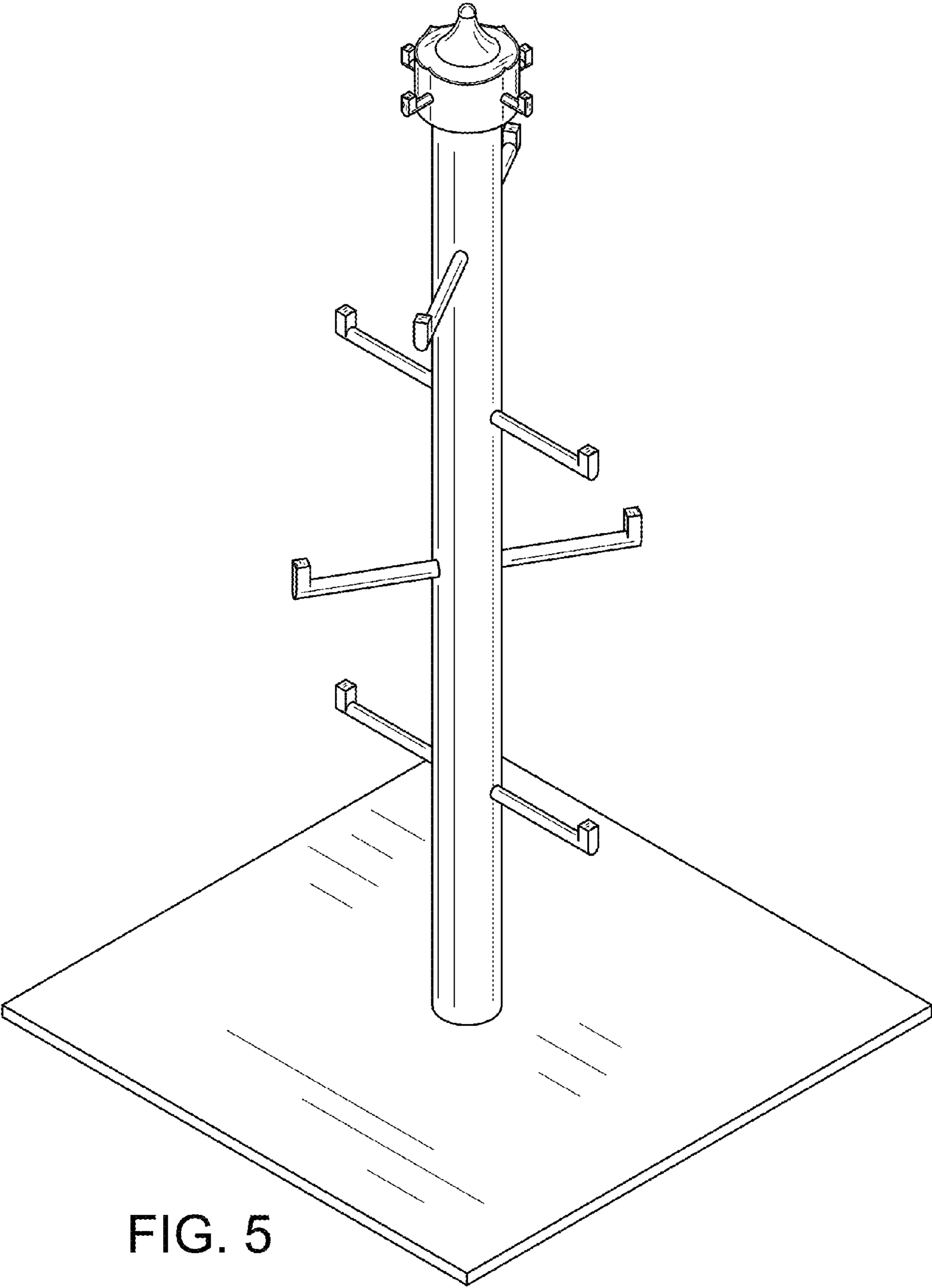


FIG. 5