



US00D761596S

(12) **United States Design Patent**
Smith

(10) **Patent No.:** **US D761,596 S**
(45) **Date of Patent:** **** Jul. 19, 2016**

(54) **COVER FOR A STADIUM SEAT**

(71) Applicant: **Jason Dwayne Smith**, Snohomish, WA
(US)

(72) Inventor: **Jason Dwayne Smith**, Snohomish, WA
(US)

(**) Term: **14 Years**

(21) Appl. No.: **29/522,906**

(22) Filed: **Apr. 3, 2015**

(51) **LOC (10) Cl.** **06-13**

(52) **U.S. Cl.**
USPC **D6/611**

(58) **Field of Classification Search**
USPC D6/596, 601, 610, 611
See application file for complete search history.

(56) **References Cited**

U.S. PATENT DOCUMENTS

D357,609 S *	4/1995	Webb	5/653
D387,604 S *	12/1997	Melone	D6/611
D506,101 S *	6/2005	Rains	D6/611
D588,393 S *	3/2009	Miller	D6/611
D610,854 S *	3/2010	Siklosi	D6/611
D647,353 S *	10/2011	Boenigk	D6/611
D696,877 S *	1/2014	Cameron	D6/611

D707,063 S *	6/2014	Daley	D6/611
D744,042 S *	11/2015	Kreindel	D20/99
D747,616 S *	1/2016	Gholston	D6/611

* cited by examiner

Primary Examiner — Robert M Spear

Assistant Examiner — John Voytek

(74) *Attorney, Agent, or Firm* — Janeway Patent Law PLLC;
John M. Janeway

(57) **CLAIM**

The ornamental design for a cover for a stadium seat, as shown and described.

DESCRIPTION

FIG. 1 is a perspective view of a cover for a stadium seat according to the invention.

FIG. 2 is a front, elevation view of the cover.

FIG. 3 is a rear, elevation view of the cover.

FIG. 4 is a right side, elevation view of the cover.

FIG. 5 is a left side, elevation view of the cover.

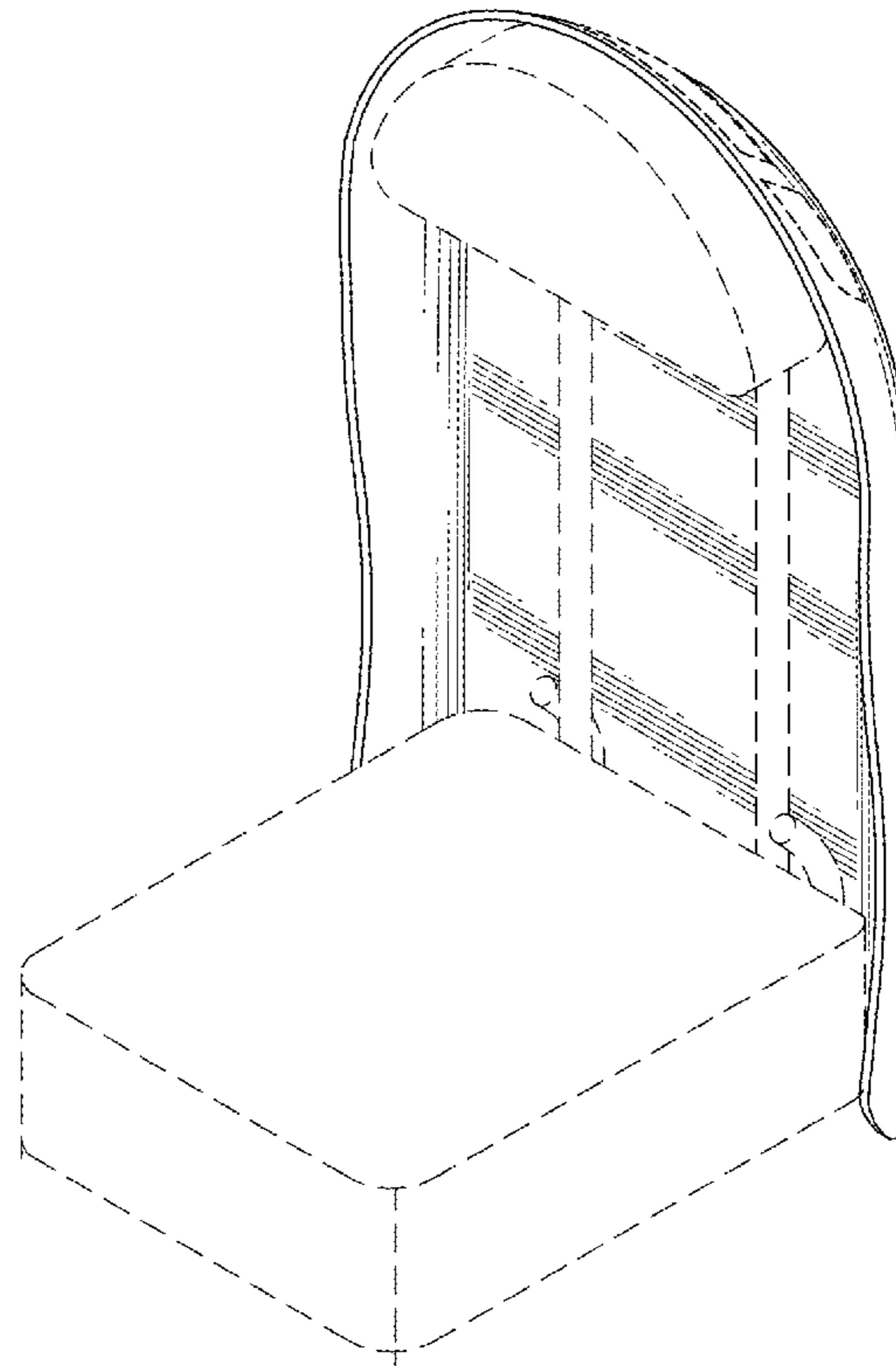
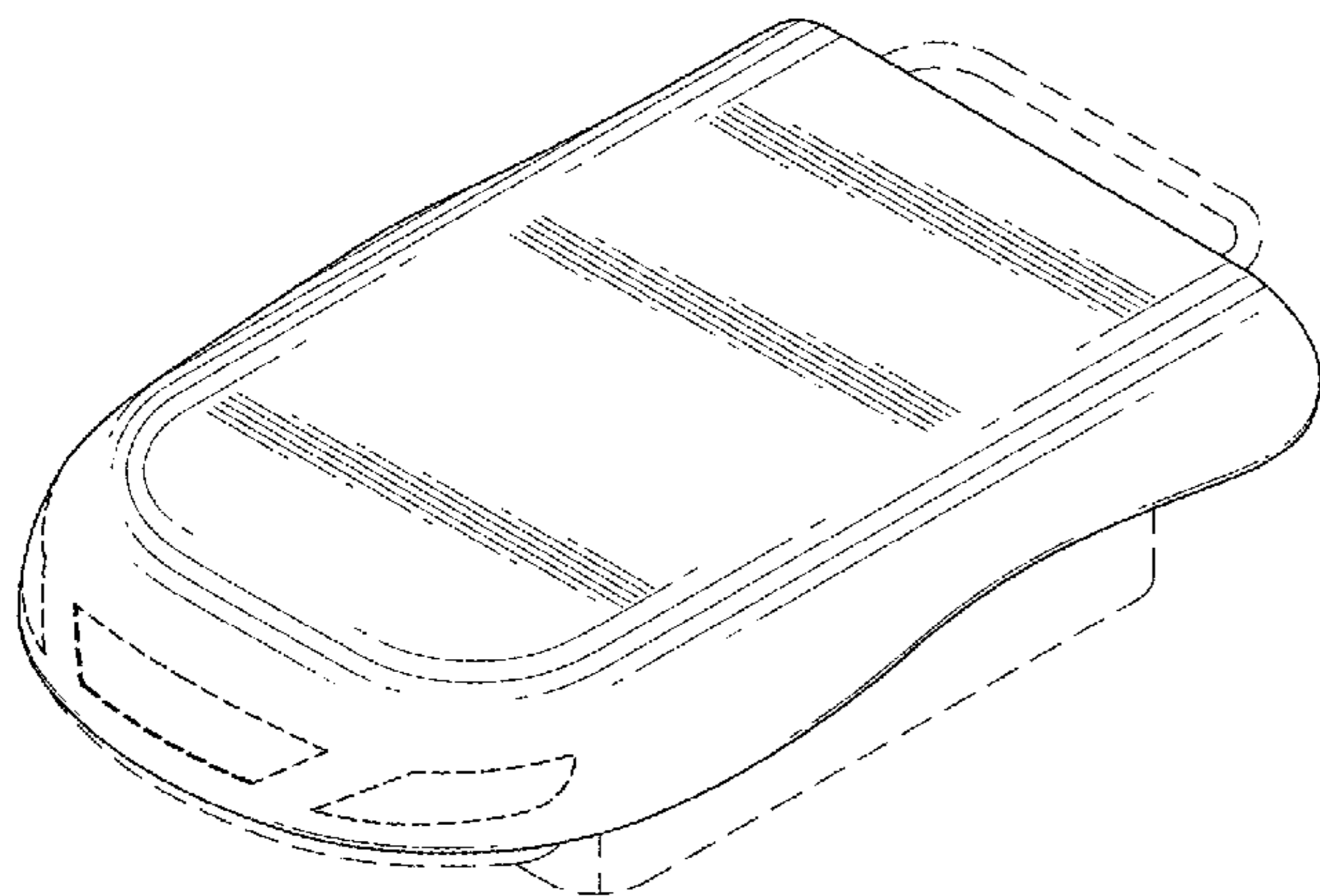
FIG. 6 is a top, plan view of the cover.

FIG. 7 is a bottom, plan view of the cover; and,

FIG. 8 is another perspective view of the cover.

The broken lines in FIGS. 1-8 showing other structure of the cover and other structure of the stadium seat are illustrative of environmental structure only and do not form a part of the claimed design.

1 Claim, 4 Drawing Sheets



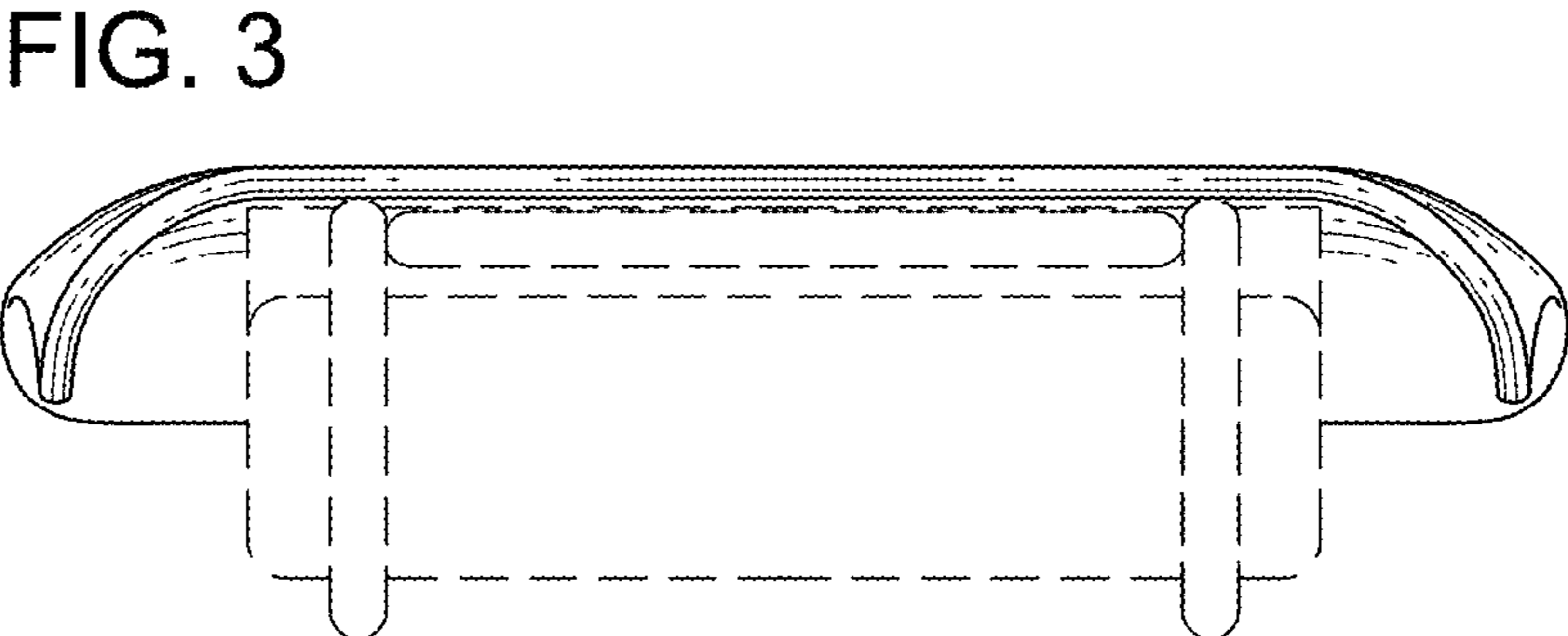
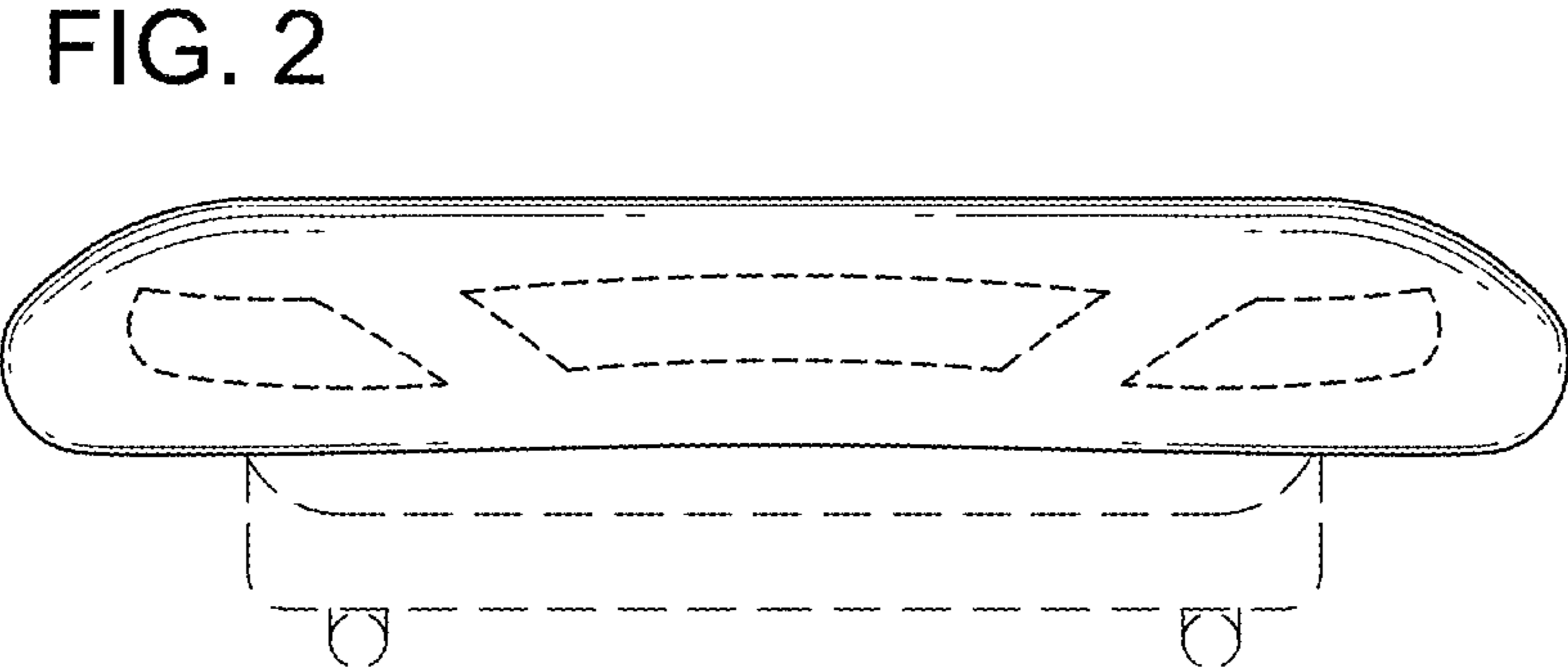
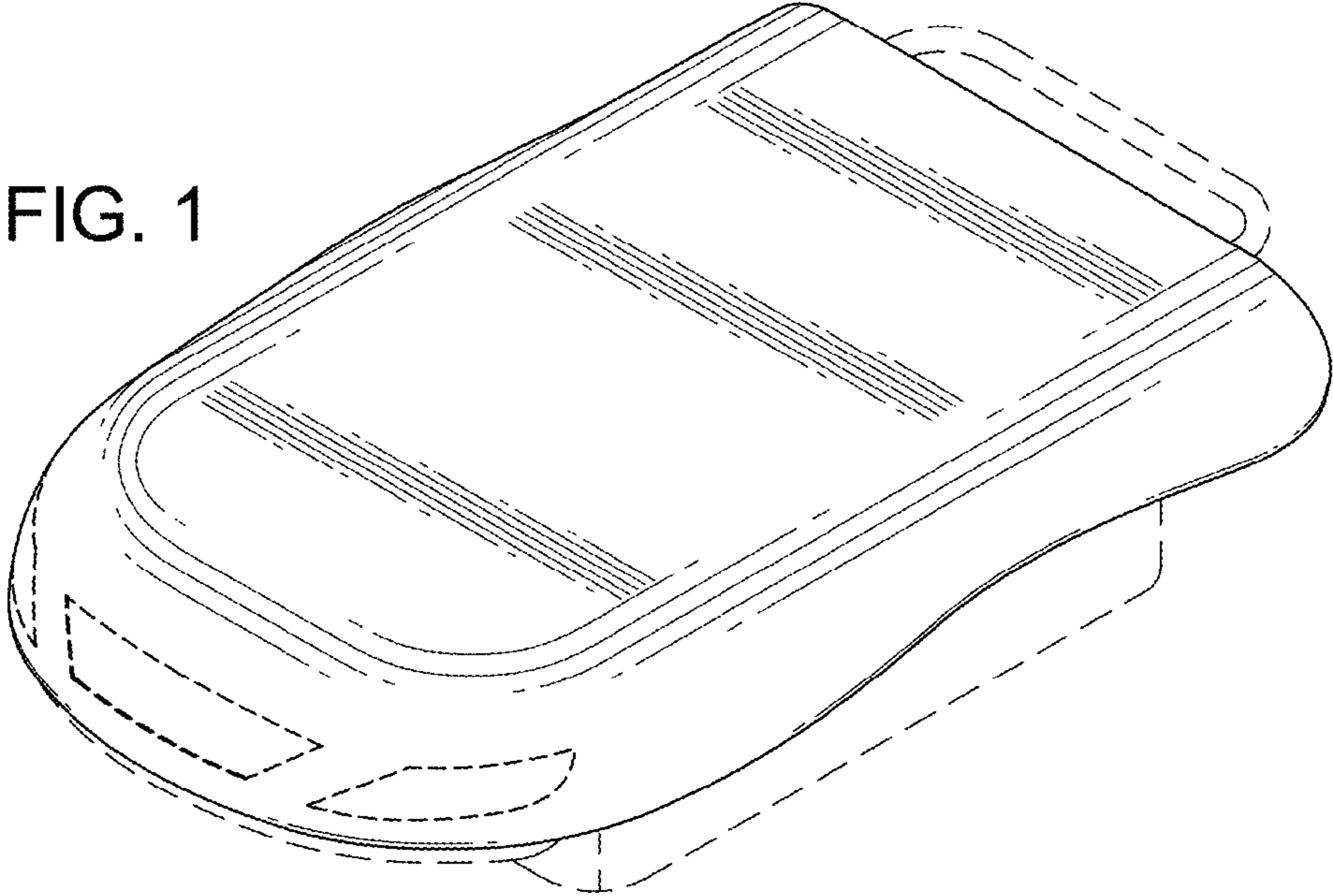


FIG. 4

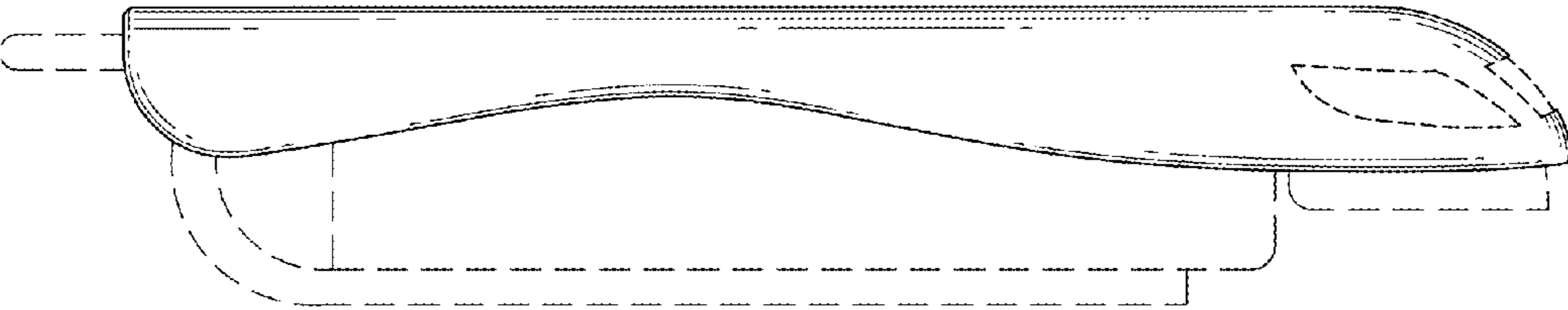


FIG. 5

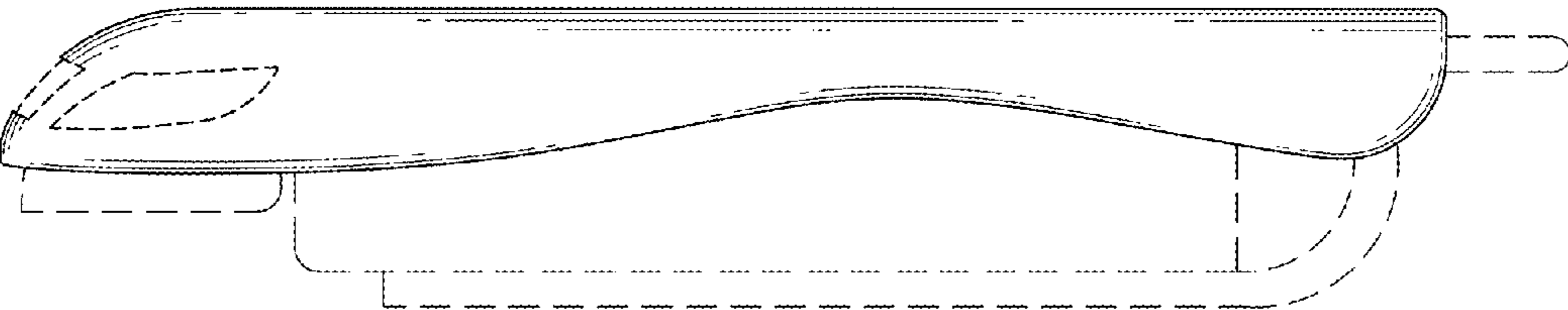


FIG. 6

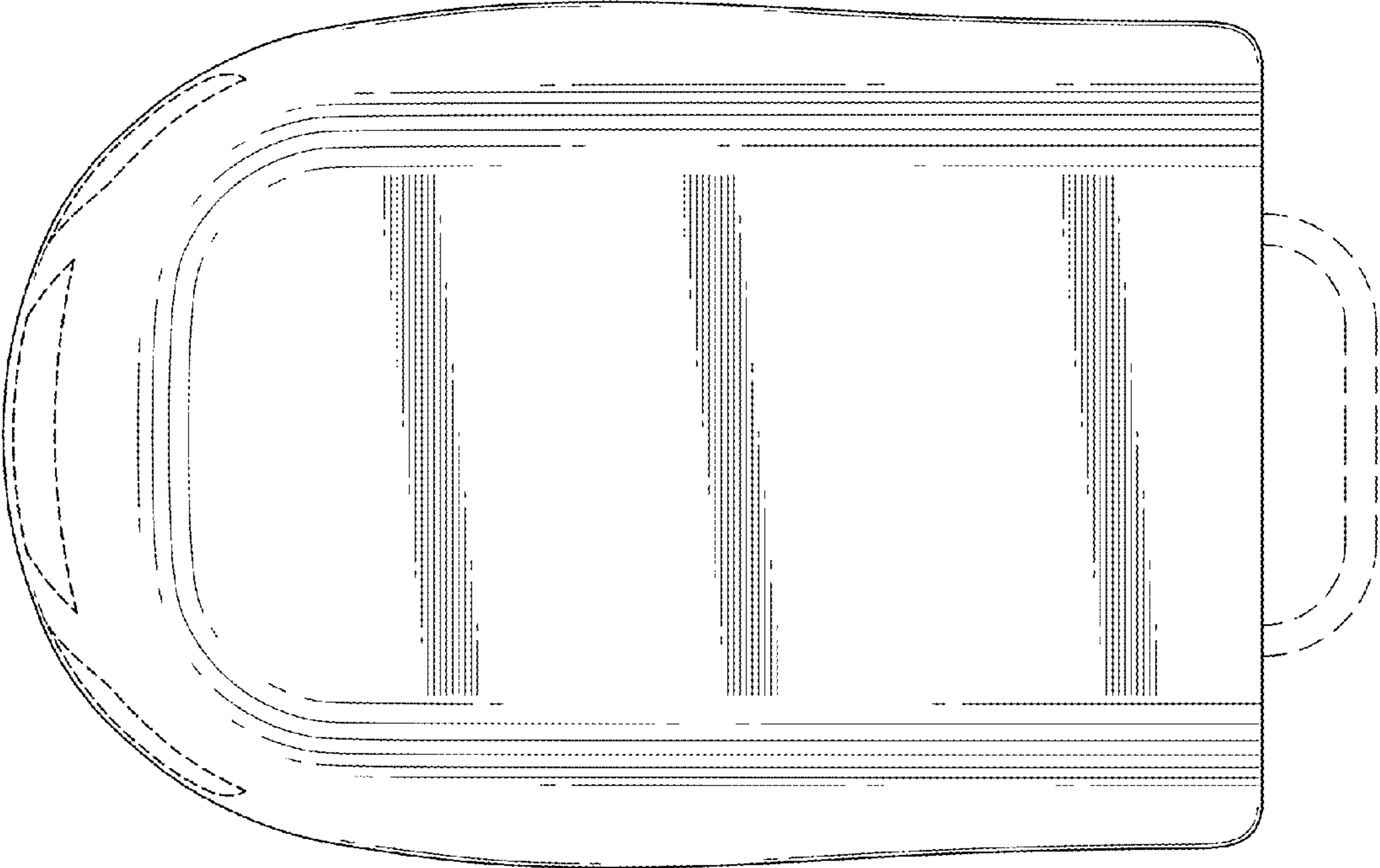


FIG. 7

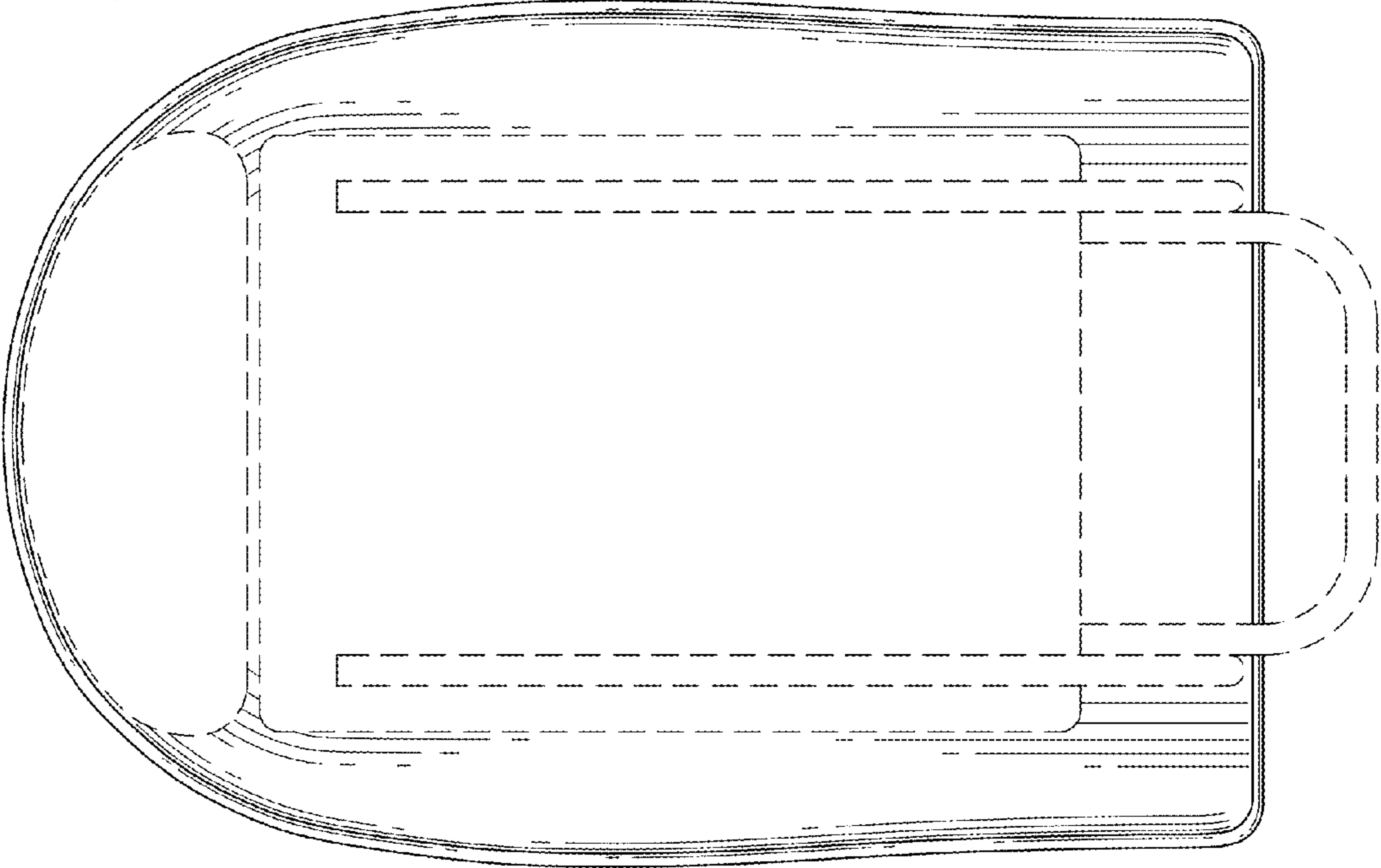


FIG. 8

