



US00D761590S

(12) **United States Design Patent**
Sheppard

(10) **Patent No.:** **US D761,590 S**

(45) **Date of Patent:** **** Jul. 19, 2016**

(54) **PLATE RACK**

(71) Applicant: **Canburg Limited**, Wiltshire (GB)

(72) Inventor: **Peter Ralph Sheppard**, London (GB)

(73) Assignee: **Canburg Limited**, Devizes, Wiltshire (GB)

(**) Term: **14 Years**

(21) Appl. No.: **29/502,927**

(22) Filed: **Sep. 22, 2014**

(51) **LOC (10) Cl.** **06-04**

(52) **U.S. Cl.**
USPC **D6/571**

(58) **Field of Classification Search**
USPC D6/571, 566, 567, 569, 570; D8/354,
D8/367, 373; 211/13.1, 41.1, 41.2, 41.4,
211/181.1; 248/302, 309.1, 311.2, 489,
248/490; 220/487, 488, 571, 572, 575
CPC A47F 3/14; A47F 5/0018; A47F 5/0043;
A47F 7/0064; A47J 47/16
See application file for complete search history.

(56) **References Cited**

U.S. PATENT DOCUMENTS

D317,993 S * 7/1991 Grey D6/553
D321,452 S * 11/1991 Davis D6/320

D322,530 S * 12/1991 Mason D6/571
D399,692 S * 10/1998 Wilcox D6/567
D554,420 S * 11/2007 Sheppard D6/567
D677,092 S * 3/2013 Kozak D6/566
D677,093 S * 3/2013 Benjamin D6/570
8,960,452 B2 * 2/2015 Rhodes, II A47L 19/04
211/41.6

* cited by examiner

Primary Examiner — Wan Laymon

Assistant Examiner — Mark Booker

(74) *Attorney, Agent, or Firm* — Gesmer Updegrave LLP

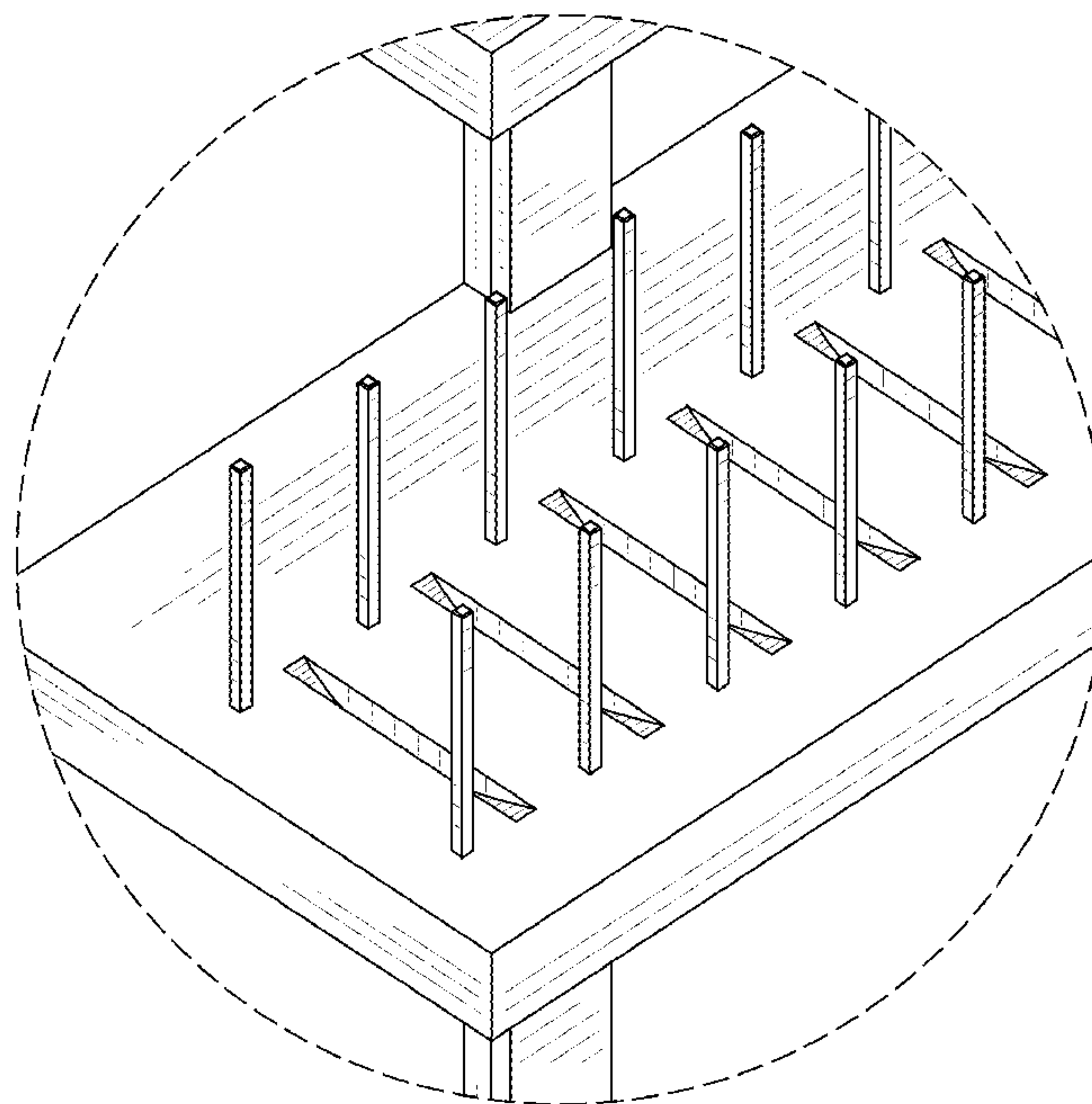
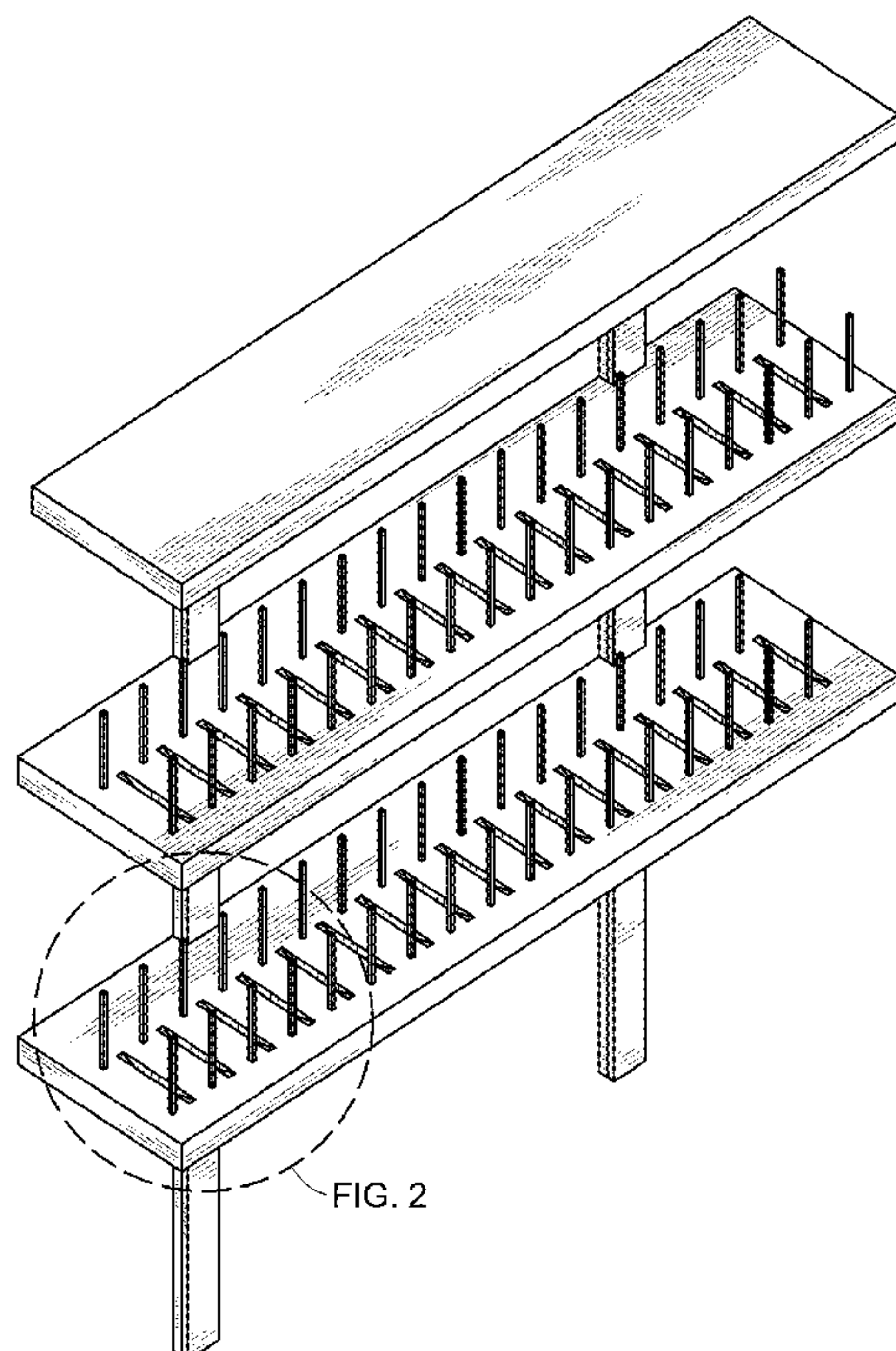
(57) **CLAIM**

What is claimed is the ornamental appearance of the plate rack, as shown and described herein.

DESCRIPTION

FIG. 1 depicts a perspective view of the plate rack;
FIG. 2 depicts a partial enlarged view of the plate rack of FIG. 1;
FIG. 3 depicts a front view of the plate rack of FIG. 1;
FIG. 4 depicts a bottom view of the plate rack of FIG. 1;
FIG. 5 depicts a top view of the plate rack of FIG. 1;
FIG. 6 depicts a back view of the plate rack of FIG. 1;
FIG. 7 depicts a left side view of the plate rack of FIG. 1; and,
FIG. 8 depicts a right side view of the plate rack of FIG. 1.

1 Claim, 5 Drawing Sheets



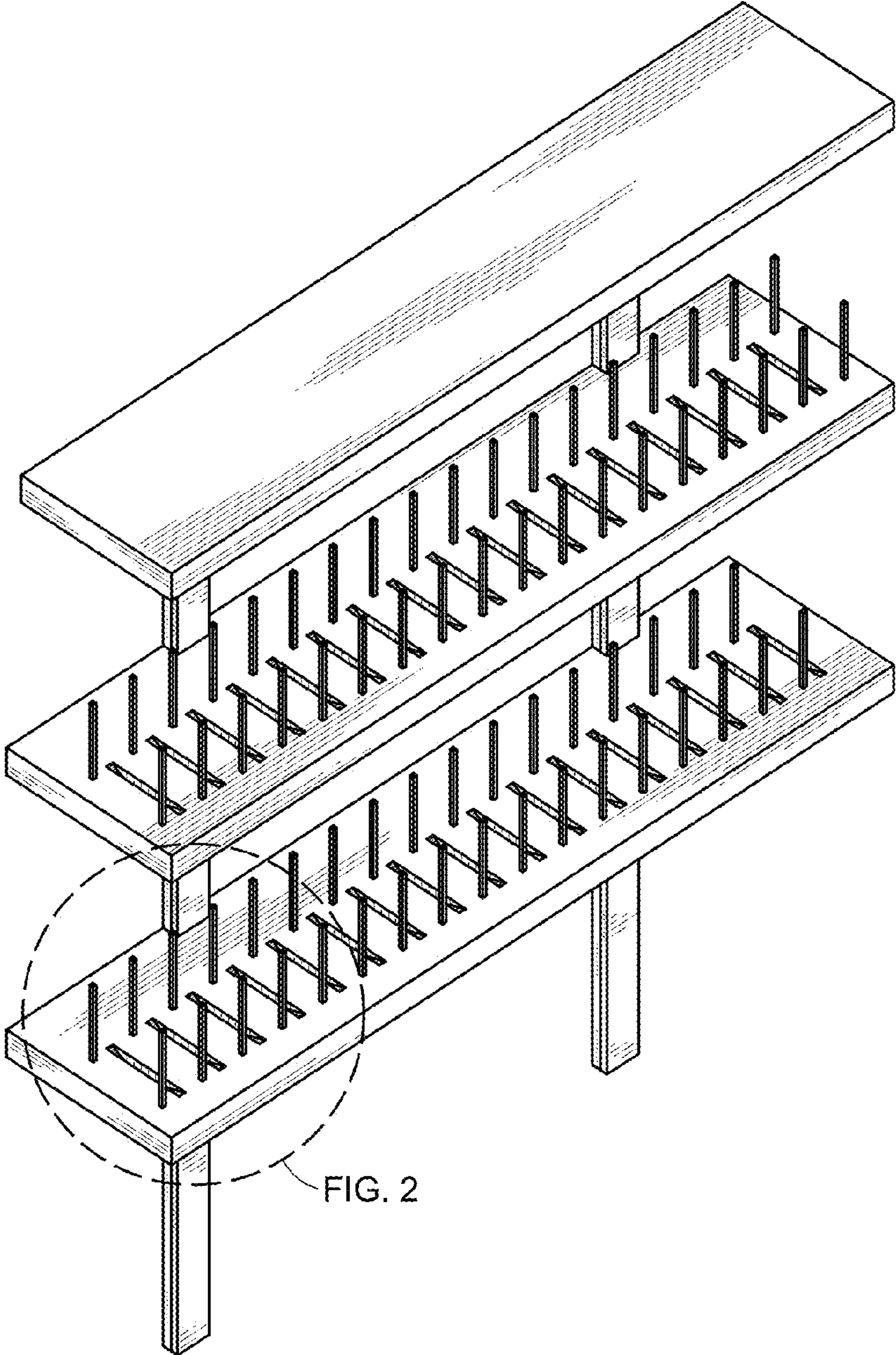


FIG. 1

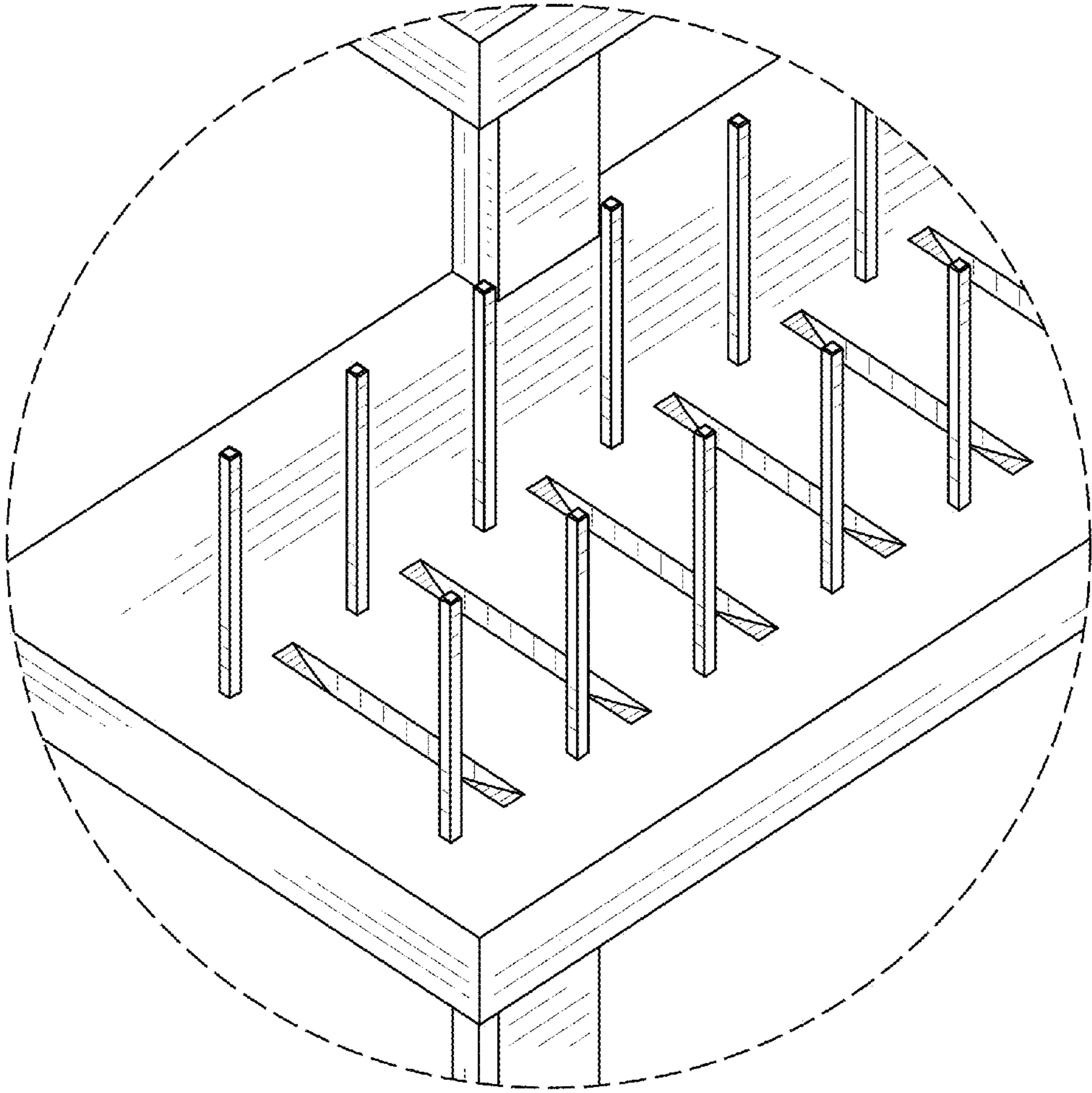


FIG. 2

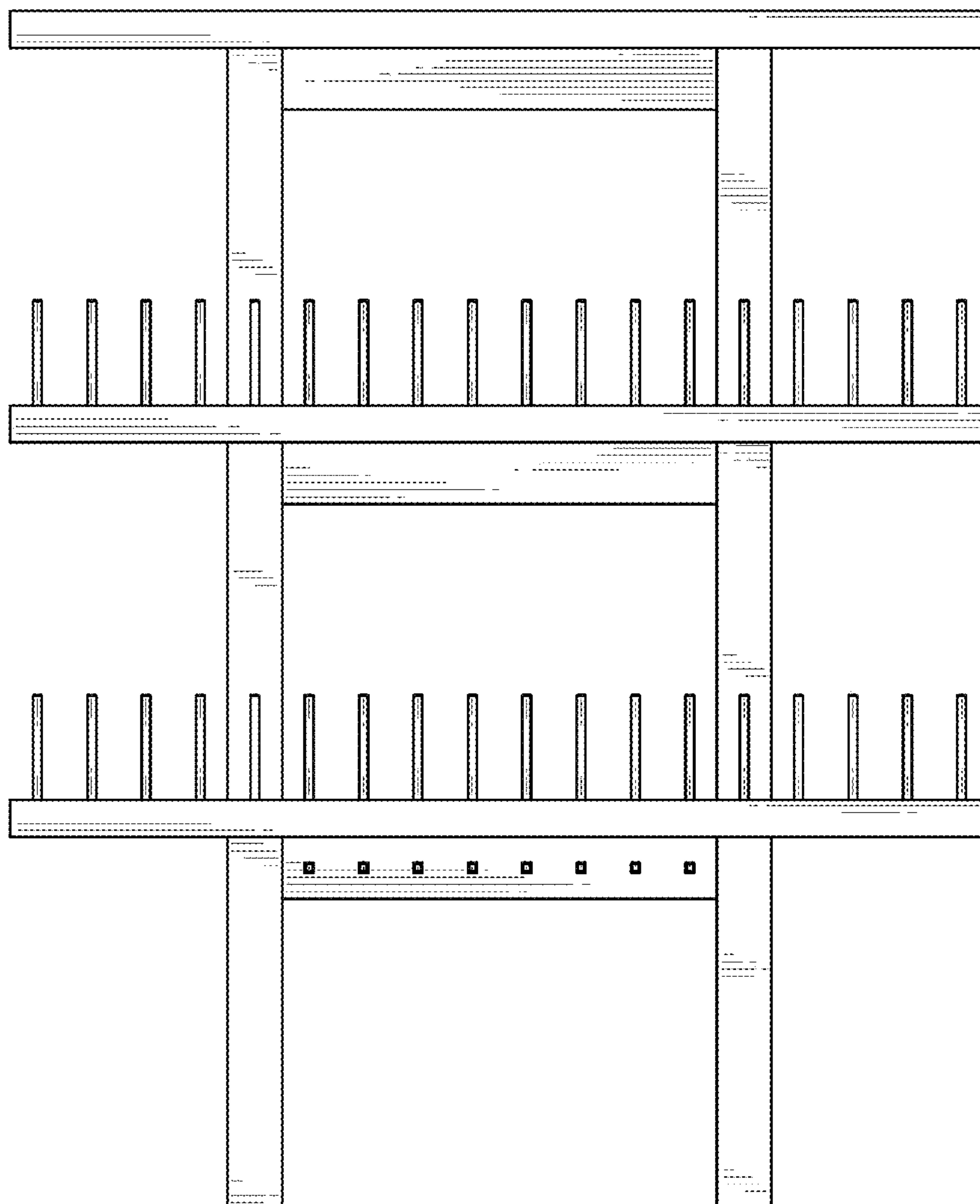


FIG. 3

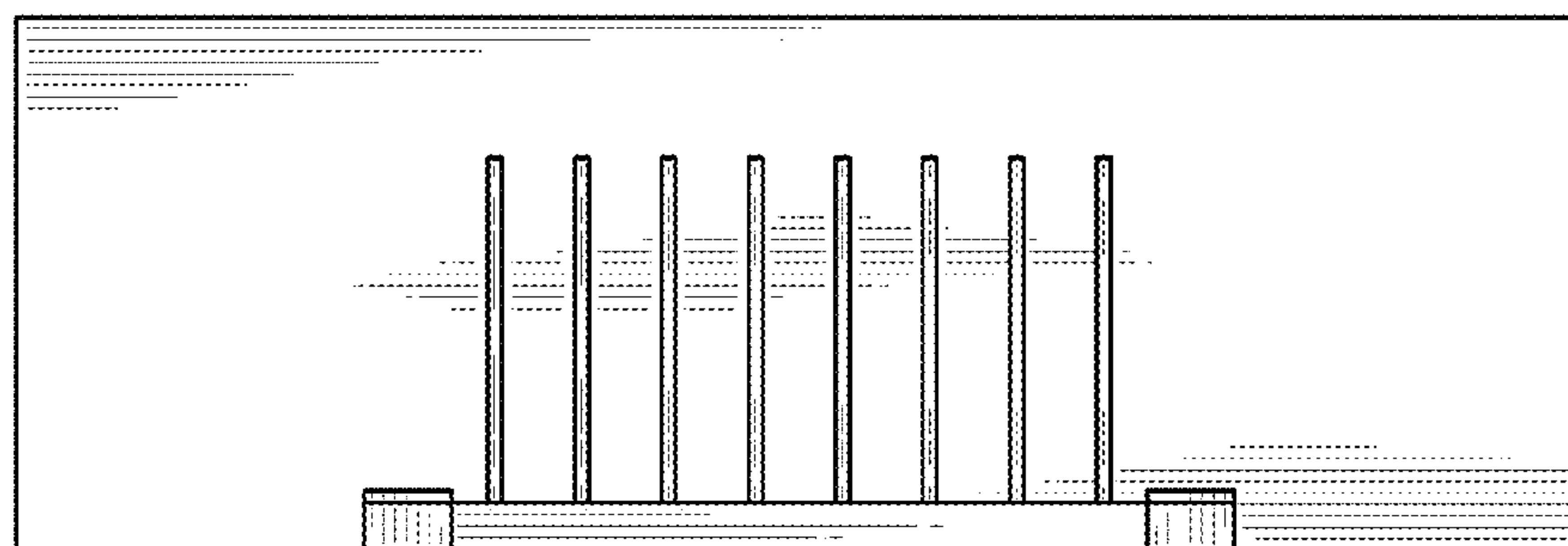


FIG. 4

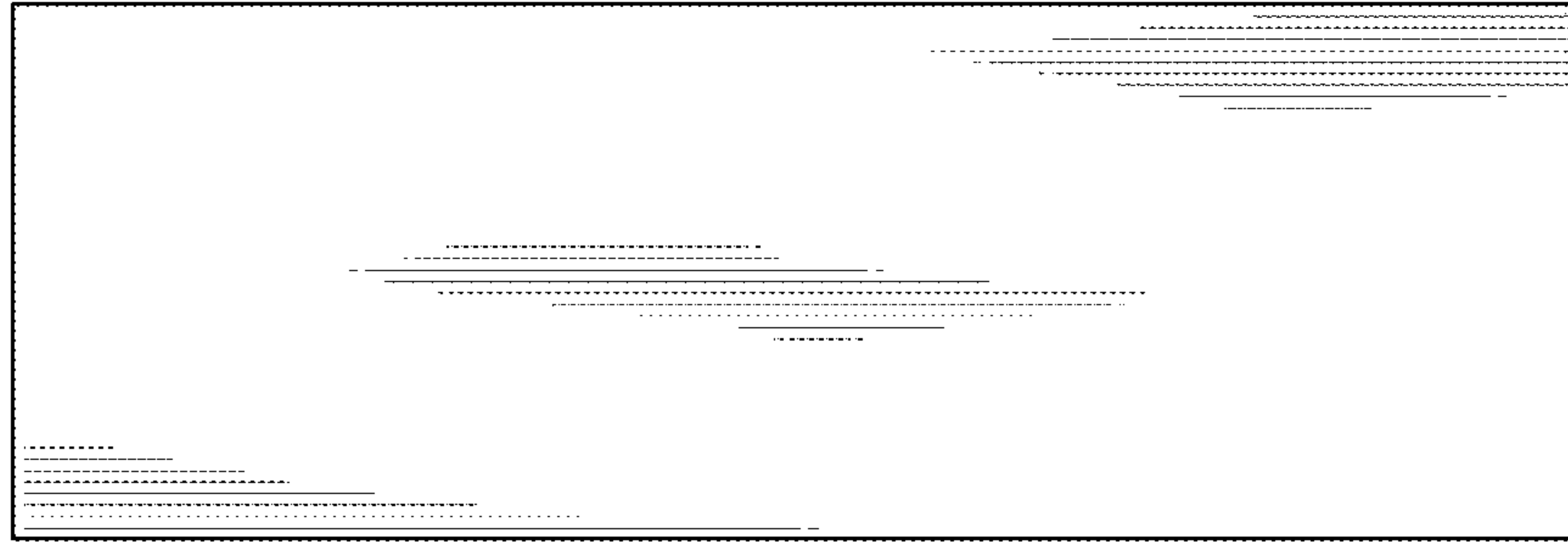


FIG. 5

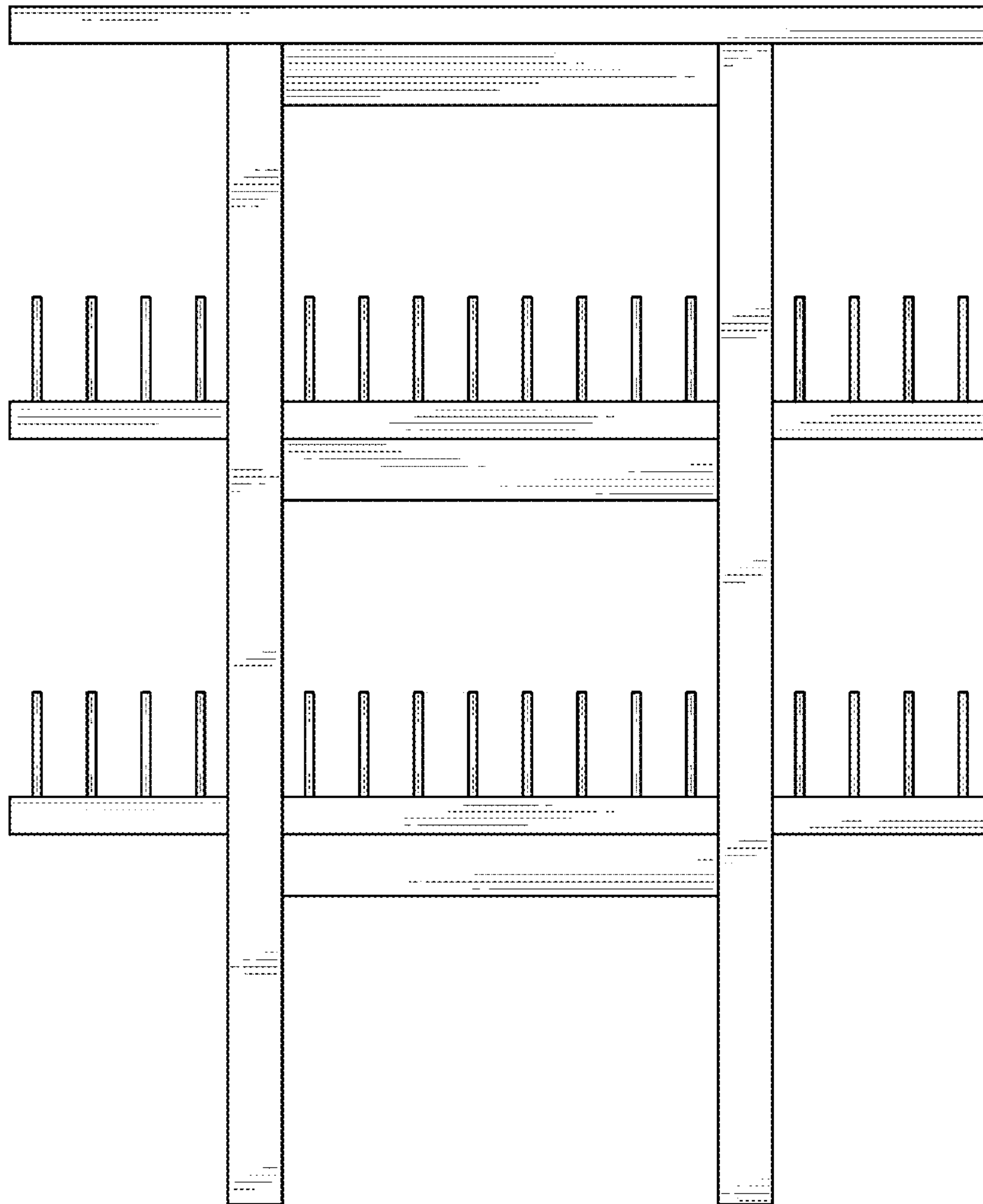


FIG. 6

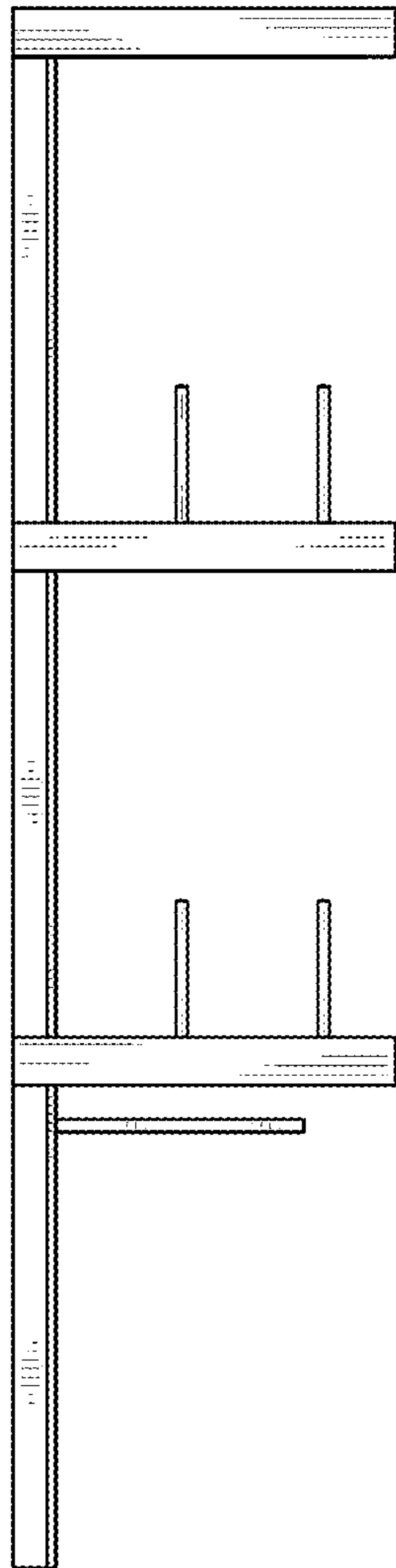


FIG. 7

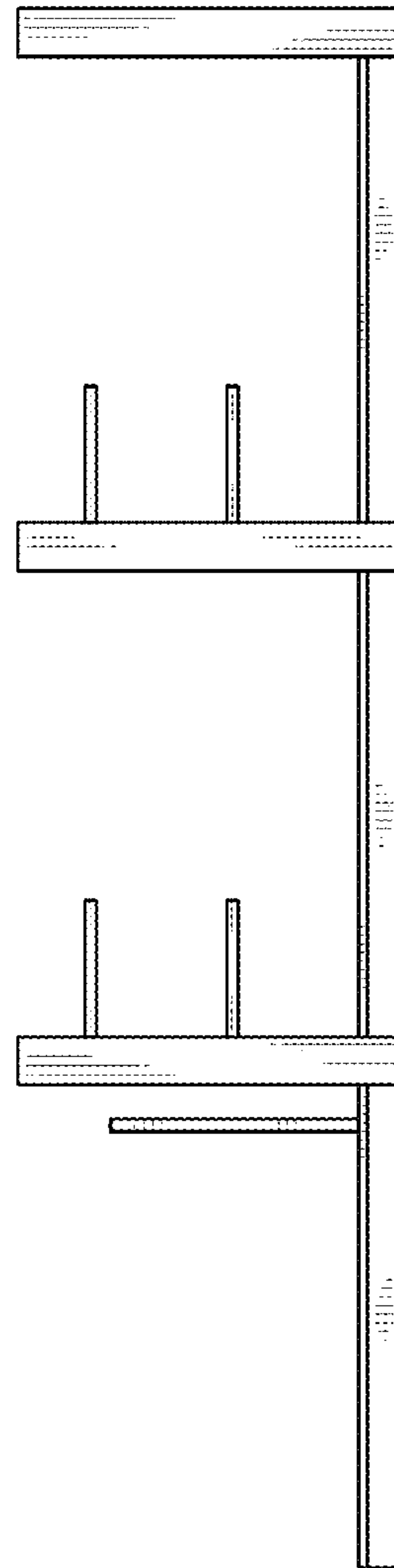


FIG. 8