

US00D761589S

(12) **United States Design Patent**  
**Cheng**

(10) **Patent No.:** **US D761,589 S**  
(45) **Date of Patent:** **\*\* Jul. 19, 2016**

(54) **SEMICIRCULAR WALL RACK**

(71) Applicant: **Meng-Feng Cheng**, Taichung (TW)

(72) Inventor: **Meng-Feng Cheng**, Taichung (TW)

(73) Assignee: **FORWARD AQUA CO., LTD.**,  
Dongshi Dist., Taichung (TW)

(\*\*) Term: **14 Years**

(21) Appl. No.: **29/501,258**

(22) Filed: **Sep. 3, 2014**

(30) **Foreign Application Priority Data**

May 2, 2014 (TW) ..... 103302619 U

(51) **LOC (10) Cl.** ..... **06-04**

(52) **U.S. Cl.**  
USPC ..... **D6/556; D6/574**

(58) **Field of Classification Search**  
USPC ..... D6/556, 553, 567, 574, 528, 531, 534,  
D6/535; D26/13, 14, 15, 21; 211/13, 14,  
211/34, 35, 63, 65-66, 70.5, 70.6,  
211/86.01-89.01, 90.01, 126, 134  
CPC .... A47B 43/00; A47B 43/04; A47B 47/0066;  
A47B 47/04; A47B 63/00; A47B 69/00;  
A47B 71/00; B65D 51/00

See application file for complete search history.

(56) **References Cited**

U.S. PATENT DOCUMENTS

D253,748 S *	12/1979	Kovacs	.....	D6/574
D297,694 S *	9/1988	Rose	.....	D6/566
D299,896 S *	2/1989	Harrell	.....	D6/555
D335,543 S *	5/1993	Sessions	.....	D26/51
5,253,768 A *	10/1993	Traversa	.....	B44D 3/123 211/65
D485,716 S *	1/2004	Boron	.....	D6/574
D532,237 S *	11/2006	Langenfeld	.....	D6/574
D540,092 S *	4/2007	Langenfeld	.....	D6/574
D544,280 S *	6/2007	Langenfeld	.....	D6/574

\* cited by examiner

*Primary Examiner* — Wan Laymon  
*Assistant Examiner* — Mark Booker

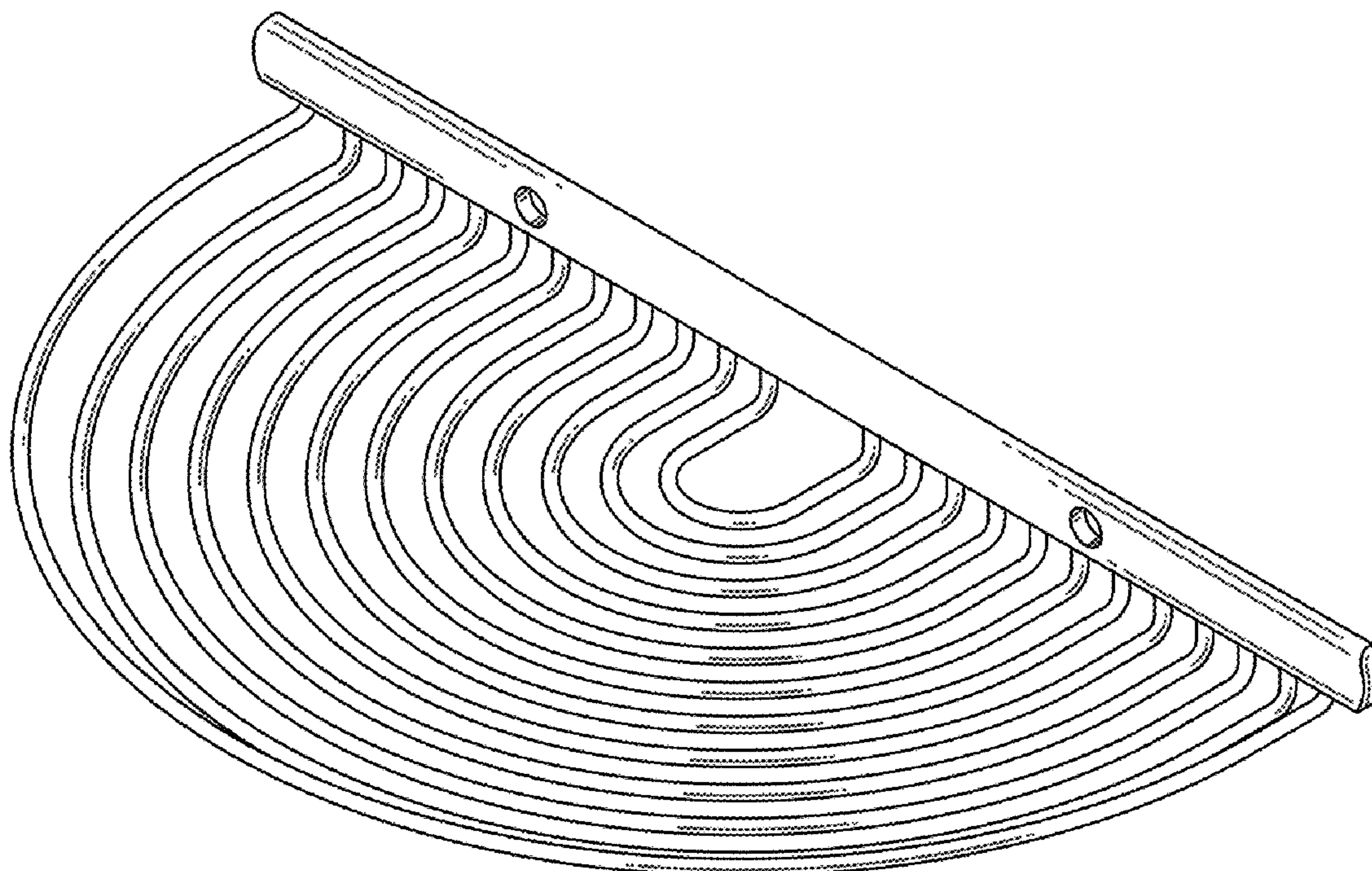
(57) **CLAIM**

The ornamental design for a semicircular wall rack, as shown and described.

**DESCRIPTION**

FIG. 1 is a perspective view of a semicircular wall rack showing my new design;  
FIG. 2 is a front elevational view thereof;  
FIG. 3 is a rear elevational view thereof;  
FIG. 4 is a left side elevational view thereof;  
FIG. 5 is a right side elevational view thereof;  
FIG. 6 is a top plan view thereof;  
FIG. 7 is a bottom plan view thereof; and,  
FIG. 8 is another perspective view thereof.

**1 Claim, 6 Drawing Sheets**



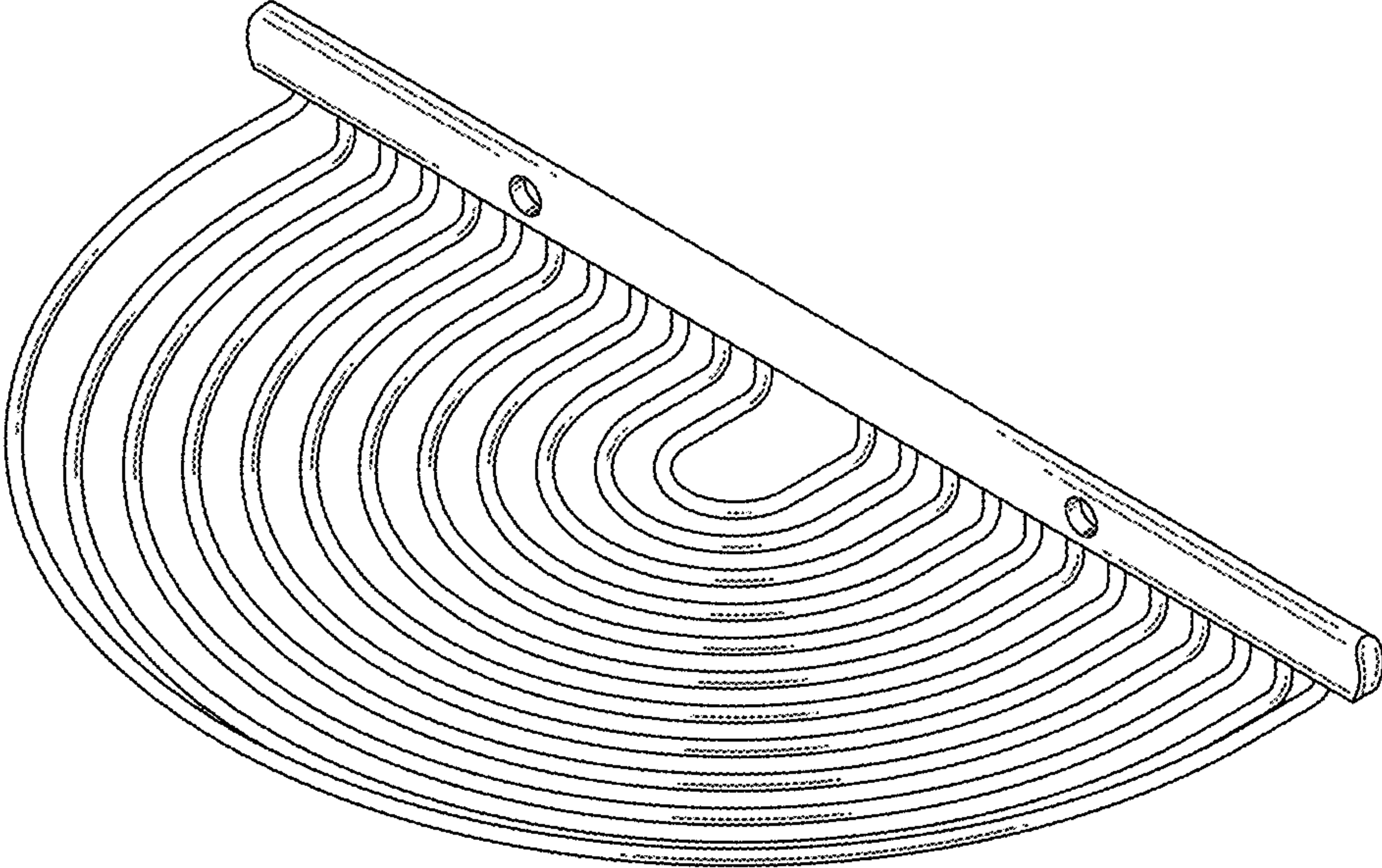


FIG. 1

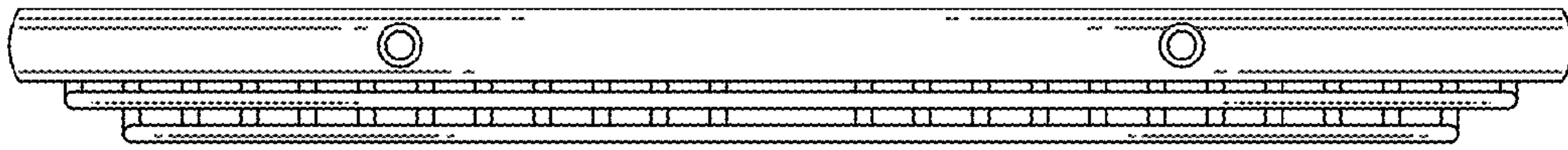


FIG. 2

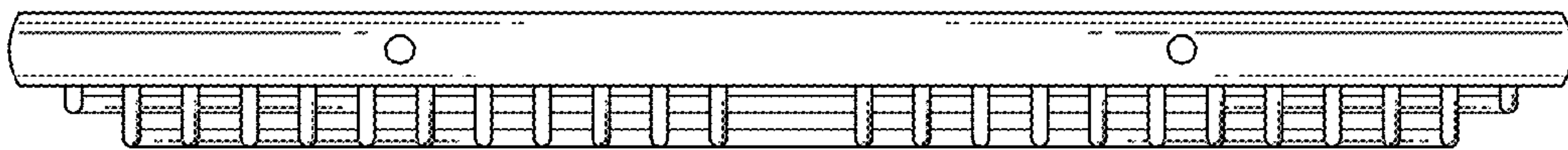


FIG. 3

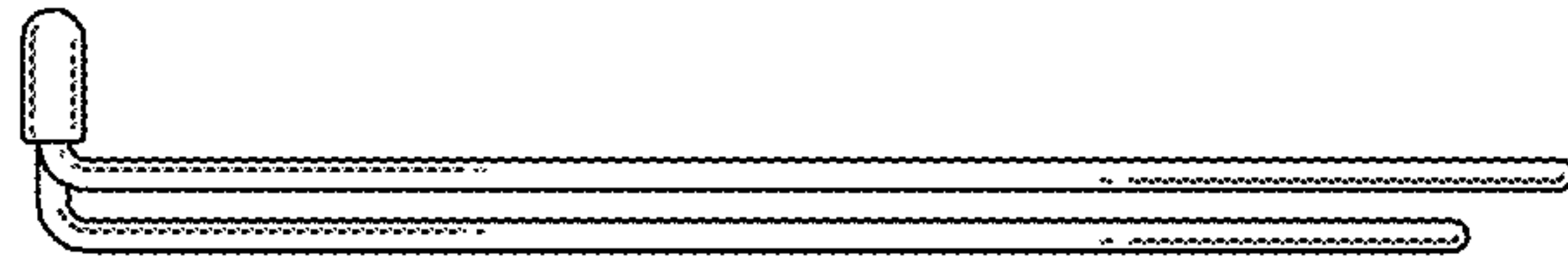


FIG. 4

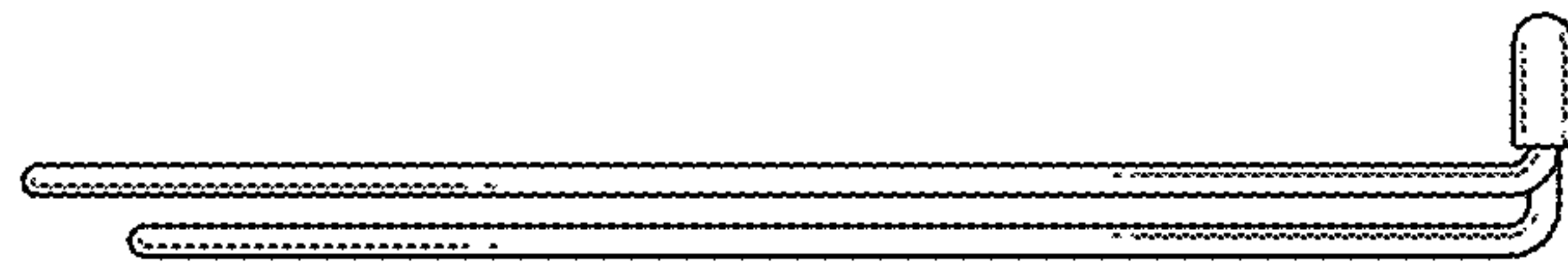


FIG. 5



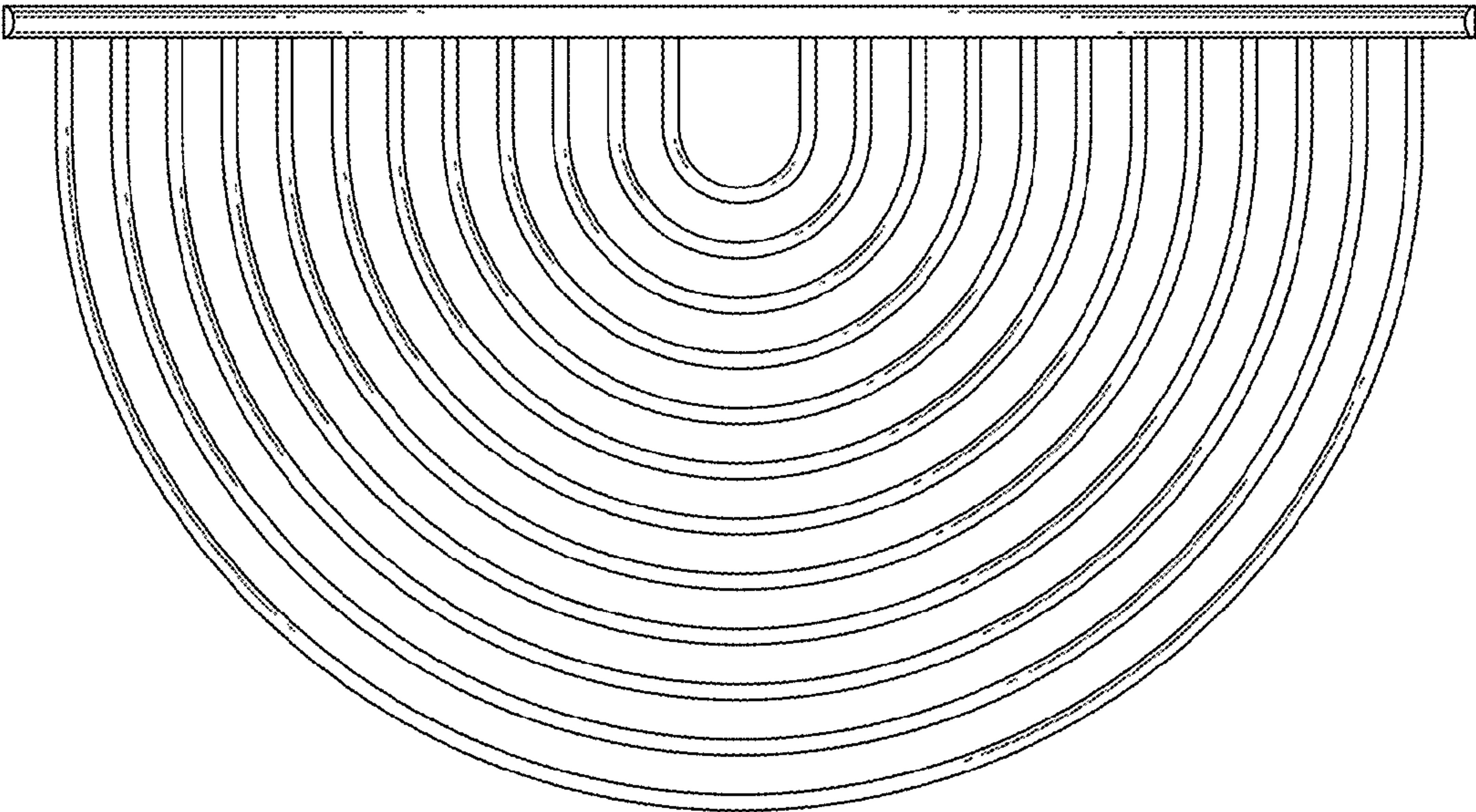


FIG. 6

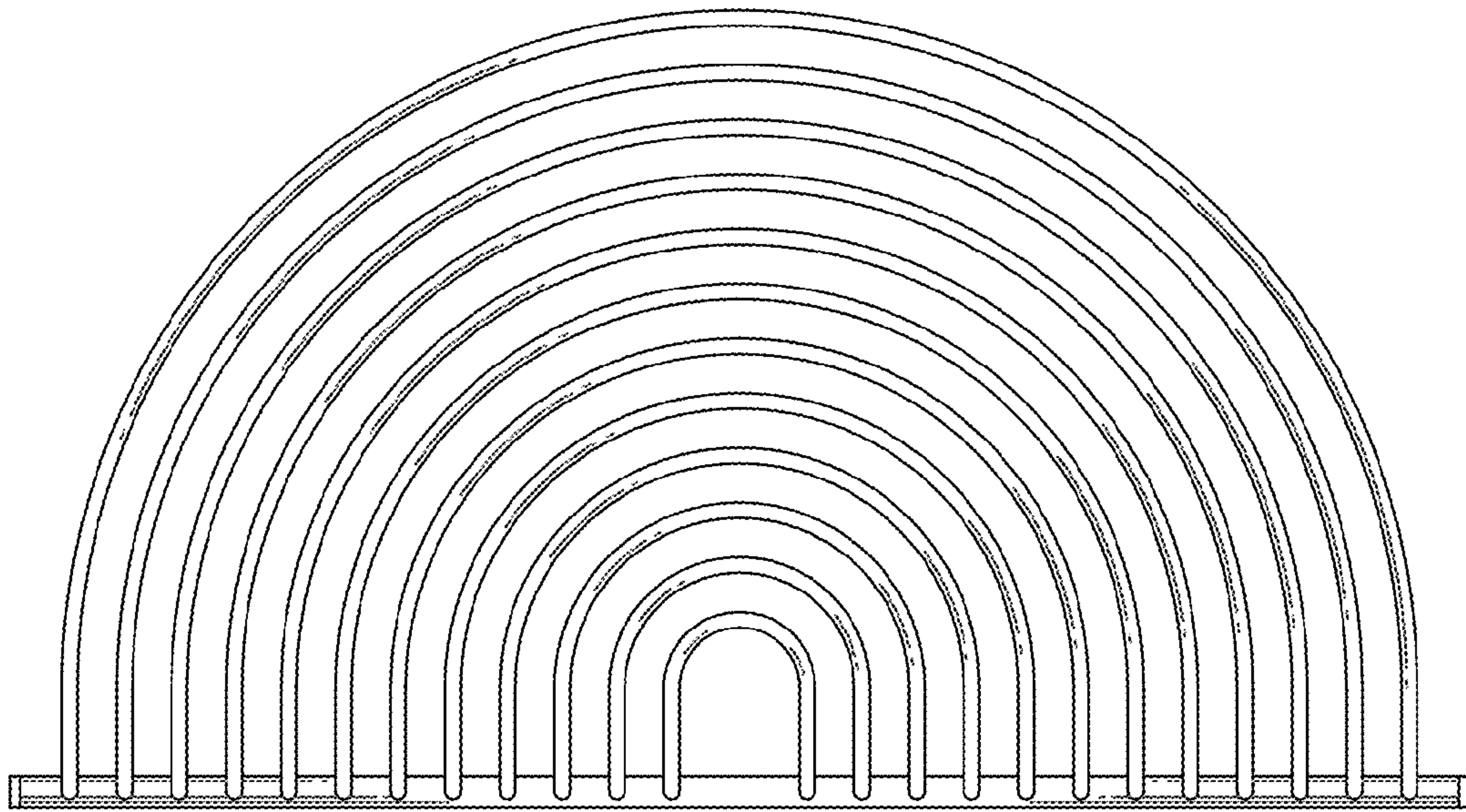


FIG. 7

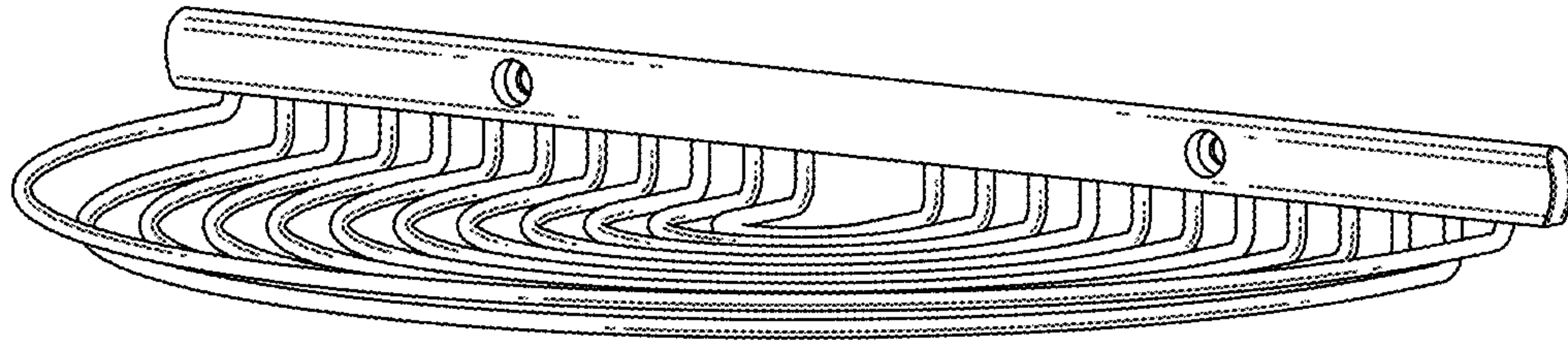


FIG. 8