



US00D761586S

(12) **United States Design Patent**
Kulshreshtha

(10) **Patent No.:** **US D761,586 S**
(45) **Date of Patent:** **** Jul. 19, 2016**

- (54) **SHAVER RINSE STAND**
- (71) Applicant: **SKULL SHAVER, LLC**, Mount Holly, NJ (US)
- (72) Inventor: **Neel B. Kulshreshtha**, Burlington Township, NJ (US)
- (73) Assignee: **Skull Shaver, LLC**, Moorestown, NJ (US)
- (**) Term: **14 Years**
- (21) Appl. No.: **29/511,391**
- (22) Filed: **Dec. 10, 2014**
- (51) **LOC (10) Cl.** **06-04**
- (52) **U.S. Cl.**
USPC **D6/526**
- (58) **Field of Classification Search**
USPC D6/526, 524, 528, 534, 540; D9/749;
206/208, 209, 228, 361, 362, 362.1,
206/362.2, 362.3; 211/13.1, 70.6, 87.01,
211/89.01, 66, 86.01; 248/200, 205.5,
248/309.1, 314, 127, 176.1
CPC A45D 27/29; B26B 21/00; B26B 21/06;
B26B 29/00
See application file for complete search history.

- D632,110 S * 2/2011 Cooper D6/526
- D635,384 S * 4/2011 Yoon D6/526
- D698,185 S * 1/2014 Cosper D6/526
- D720,154 S * 12/2014 Provost D6/526

* cited by examiner

Primary Examiner — Wan Laymon
Assistant Examiner — Mark Booker
(74) *Attorney, Agent, or Firm* — Norman E. Lehrer

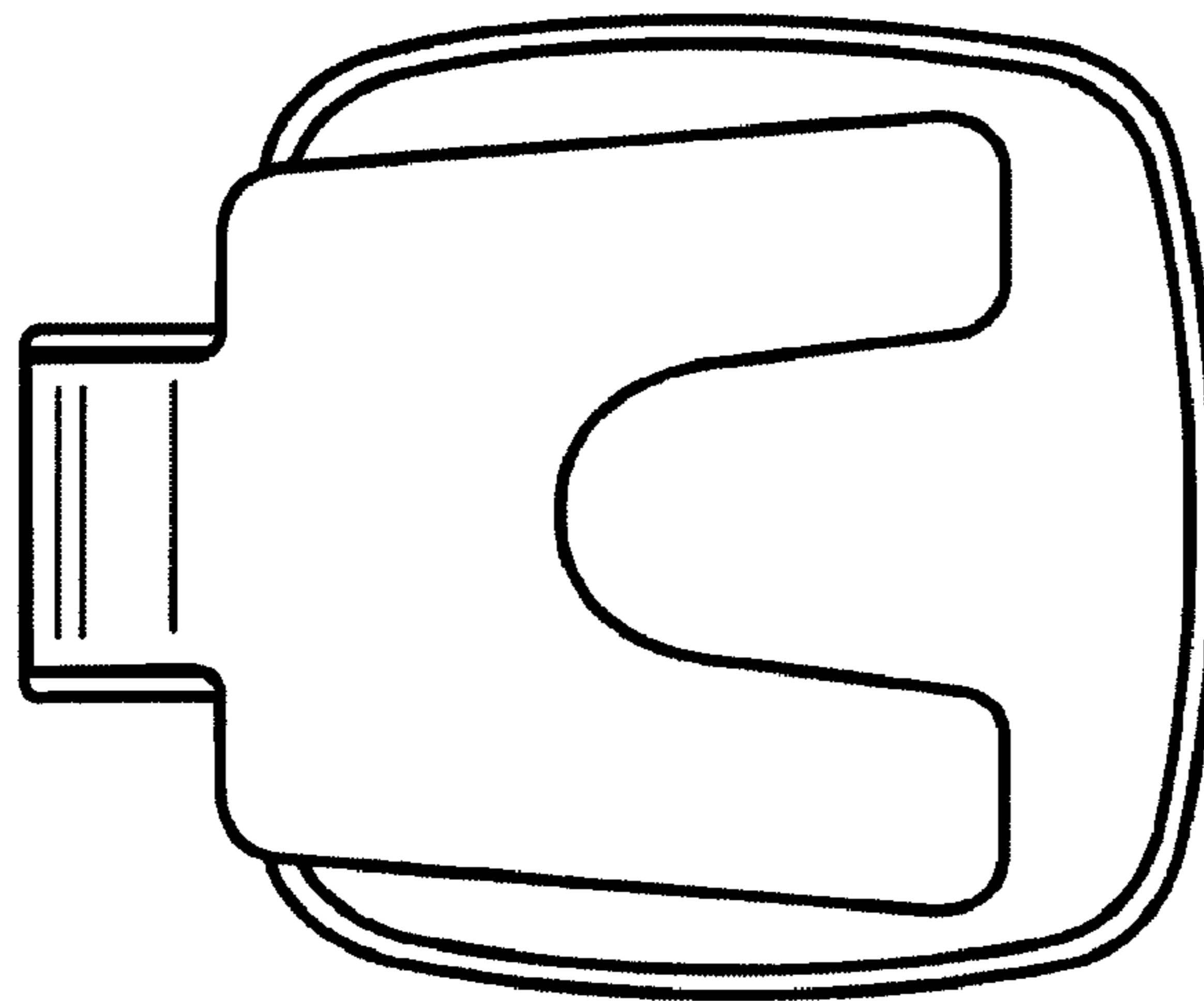
(57) **CLAIM**
The ornamental design for a shaver rinse stand, as shown and described.

DESCRIPTION

FIG. 1 is a top plan view of a shaver rinse stand showing my new design;
FIG. 2 is a front elevational view thereof;
FIG. 3 is a right side elevational view thereof;
FIG. 4 is a rear elevational view thereof;
FIG. 5 is a bottom plan view thereof;
FIG. 6 is a left side elevational view with the top holder portion raised;
FIG. 7 is a left side elevational view with the top holder portion lowered;
FIG. 8 is a left side elevational view similar to FIG. 7 showing the holder supporting a shaver;
FIG. 9 is a perspective view with the top holder portion raised; and,
FIG. 10 is a perspective view with the top holder portion lowered.
The shaver shown in phantom in FIG. 8 is for illustration purposes only and does not form a part of the design.

1 Claim, 3 Drawing Sheets

- (56) **References Cited**
U.S. PATENT DOCUMENTS
D334,335 S * 3/1993 Boucher D30/131
D345,269 S * 3/1994 Novak D6/526
D576,436 S * 9/2008 Provost D6/526



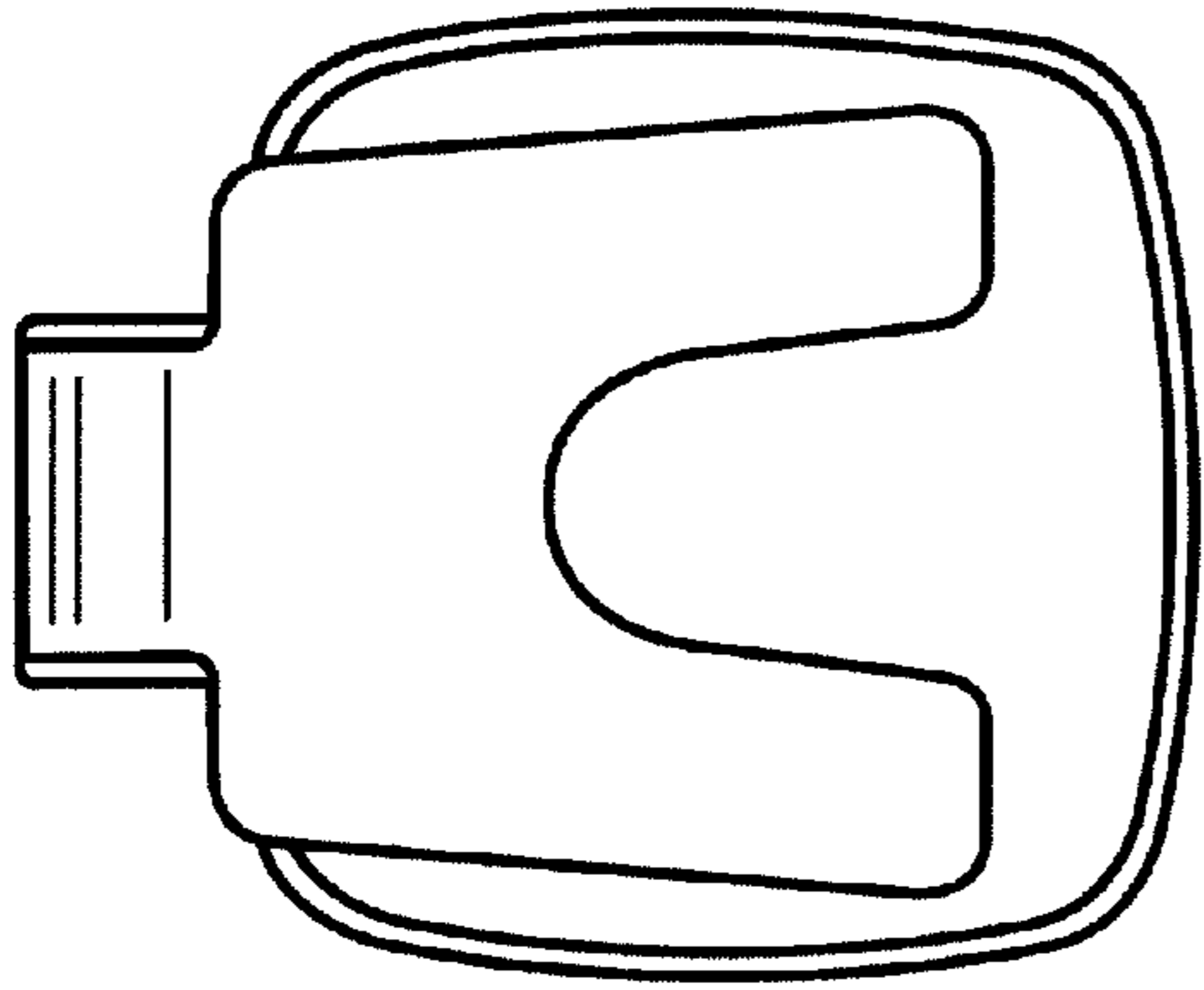


FIG. 1

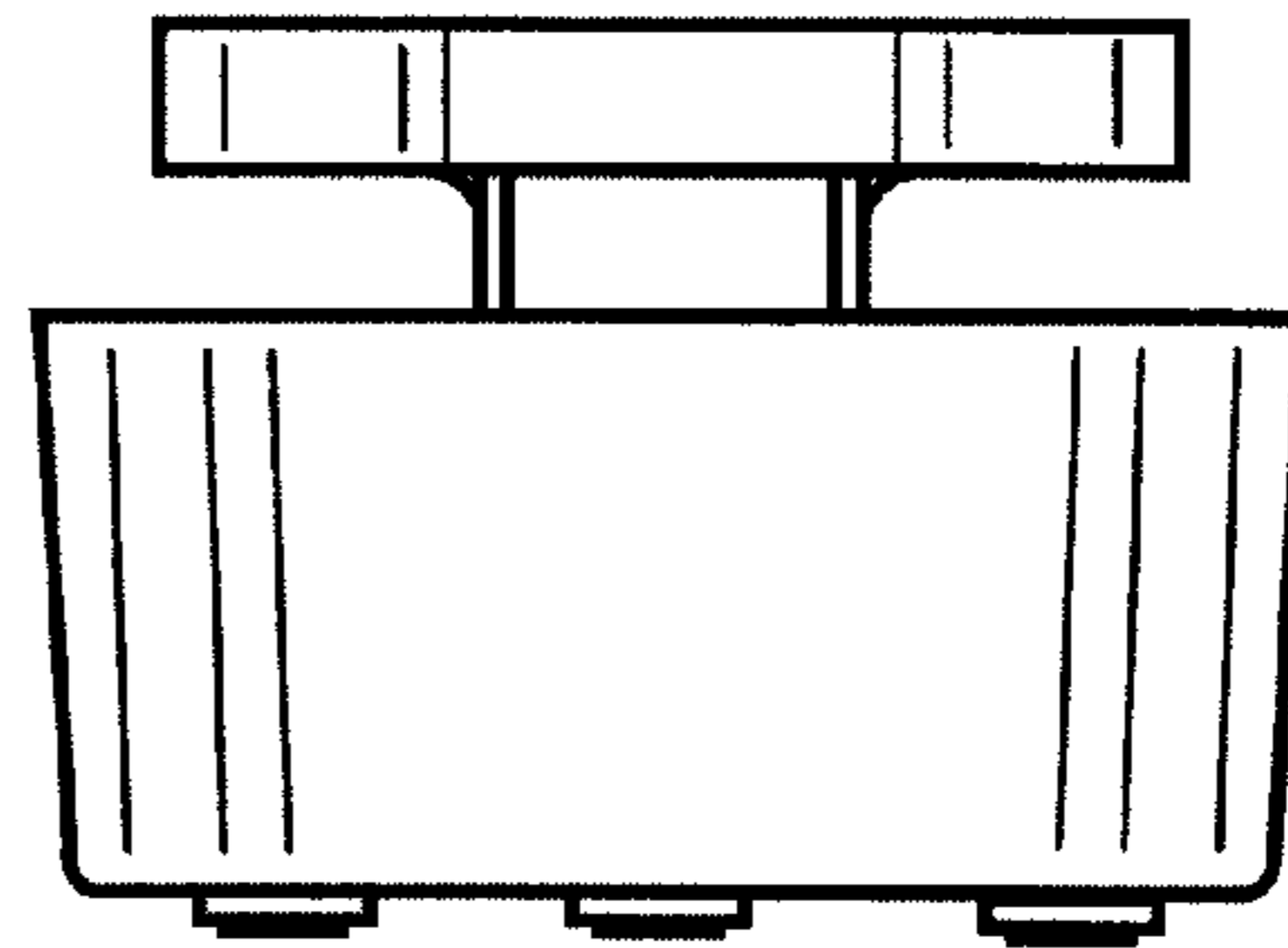


FIG. 2

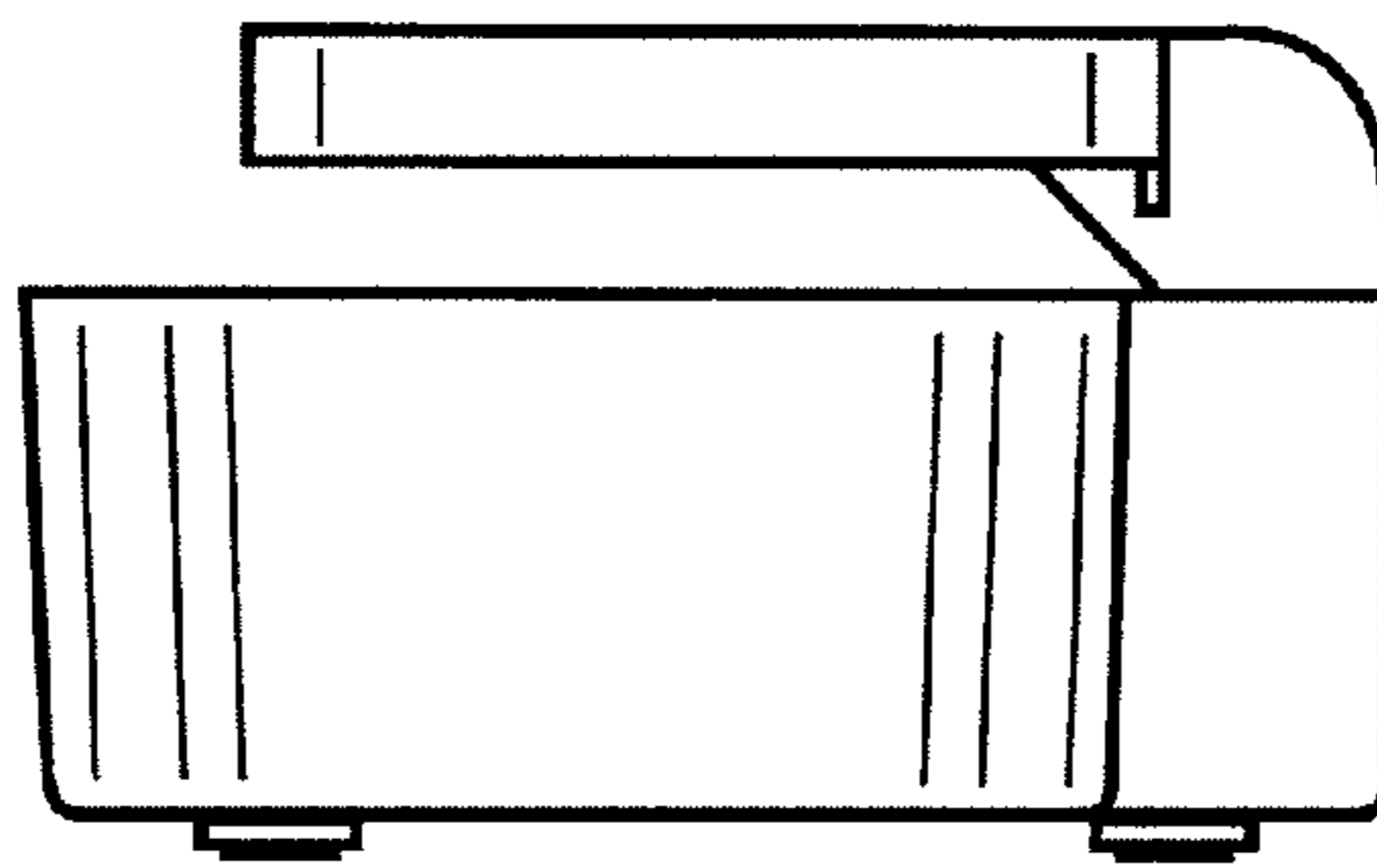


FIG. 3

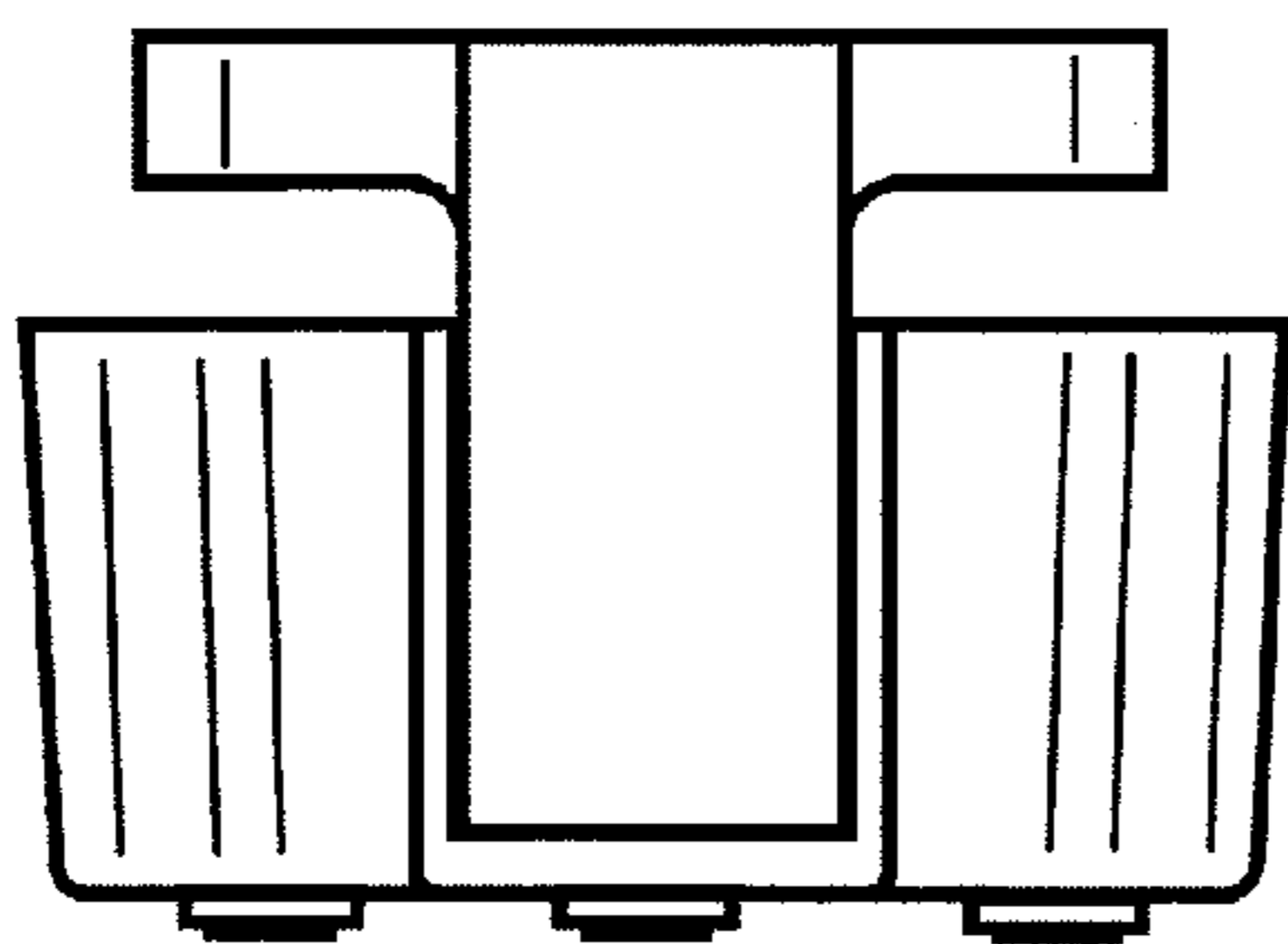


FIG. 4

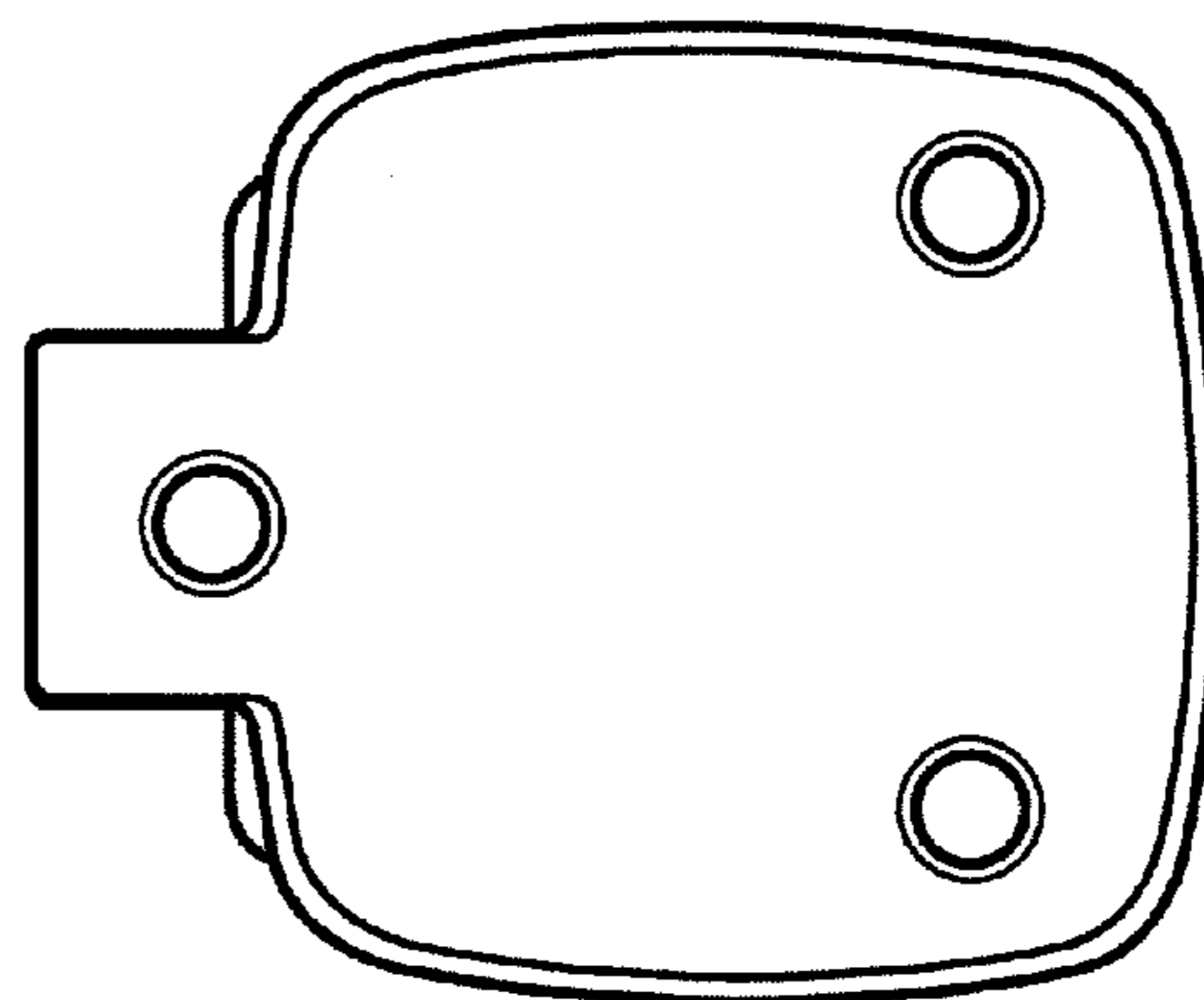


FIG. 5

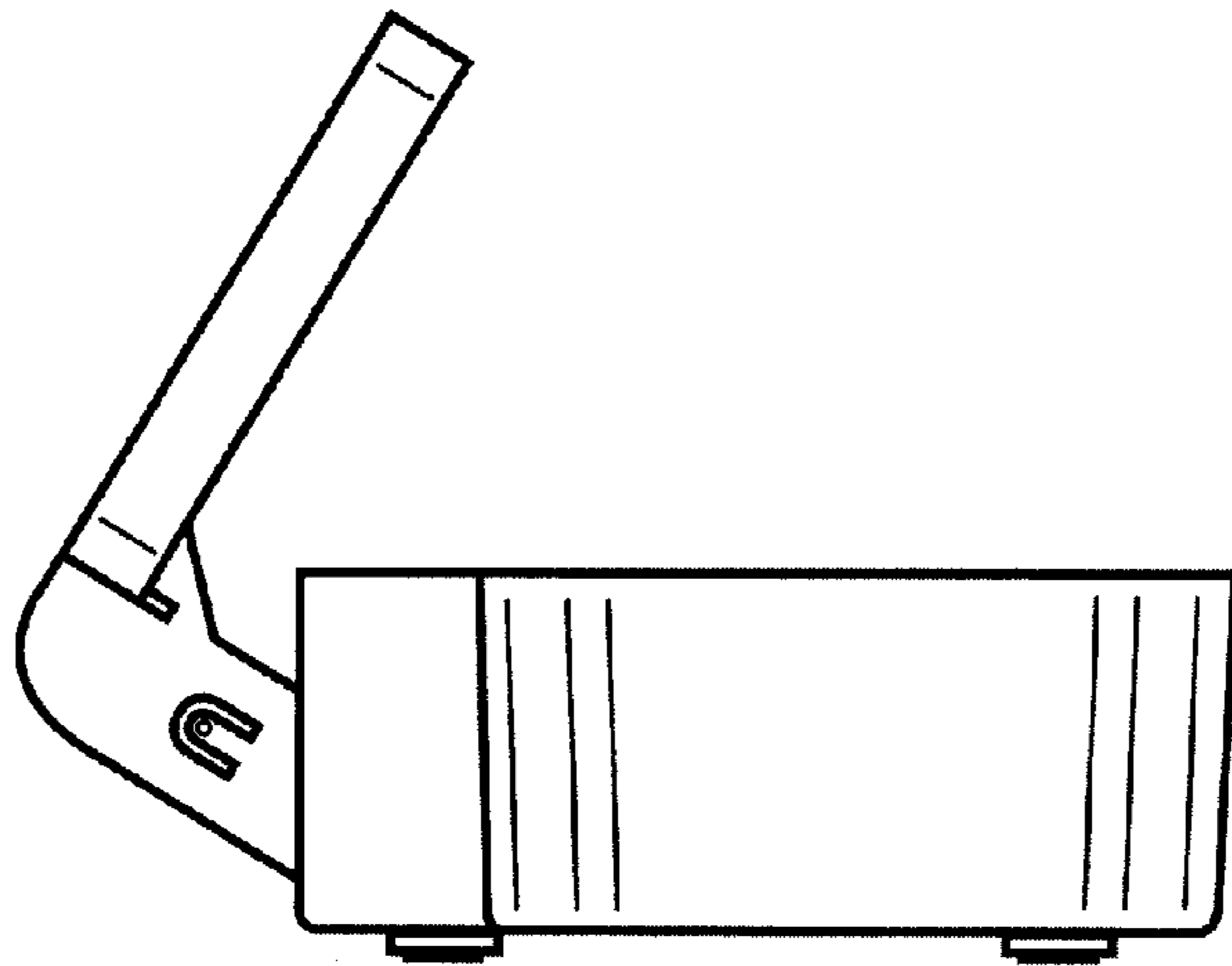


FIG. 6

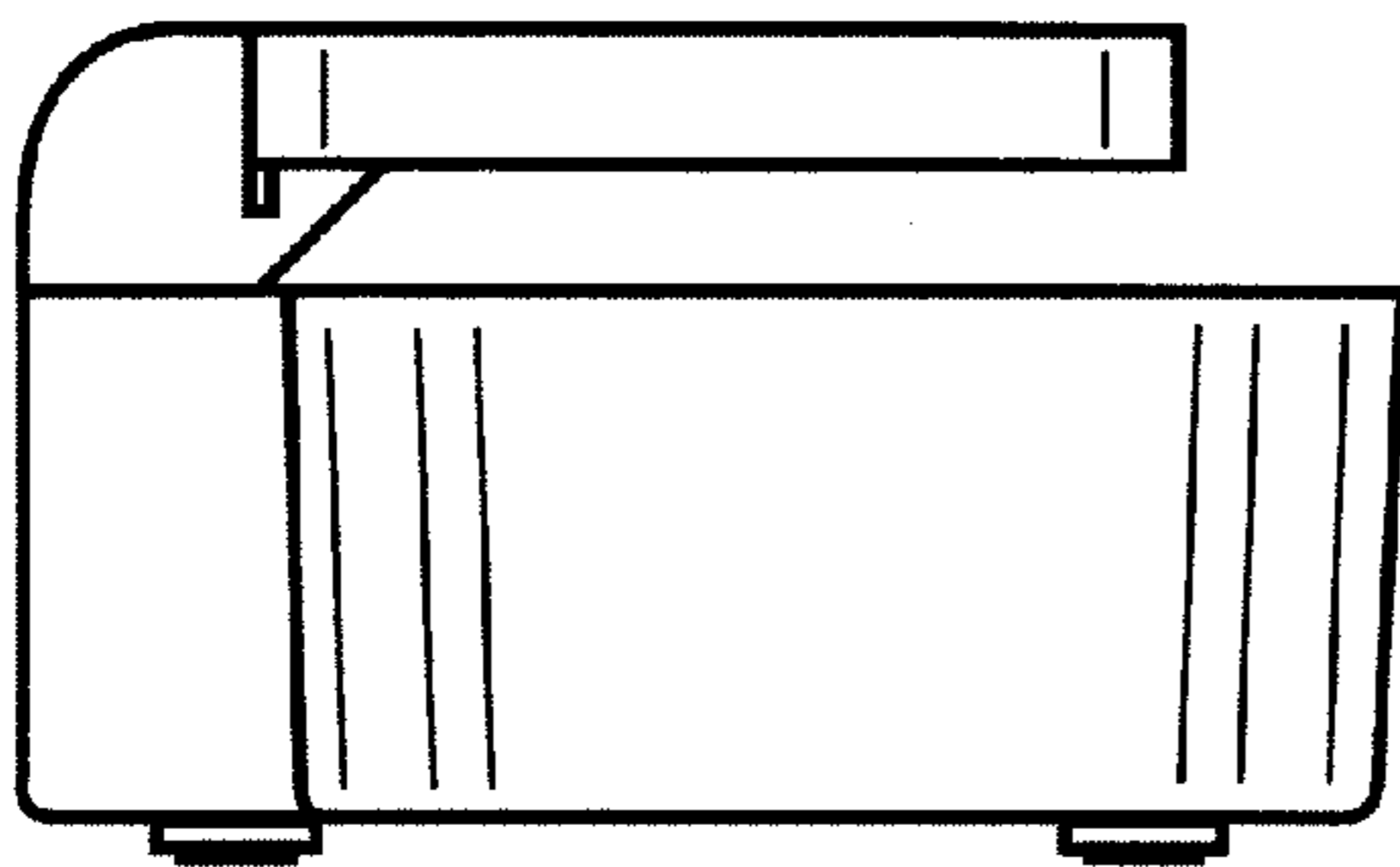


FIG. 7

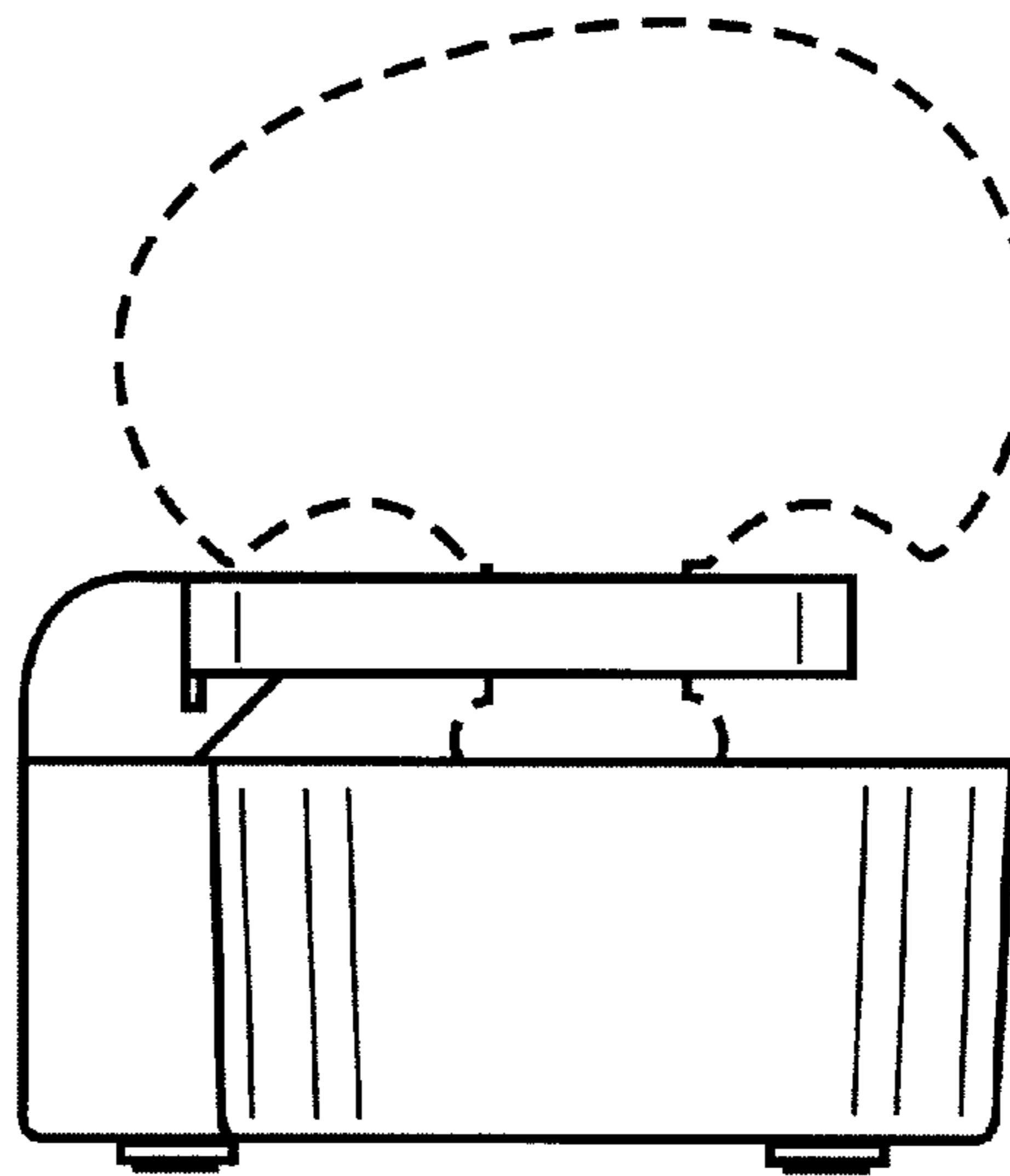


FIG. 8

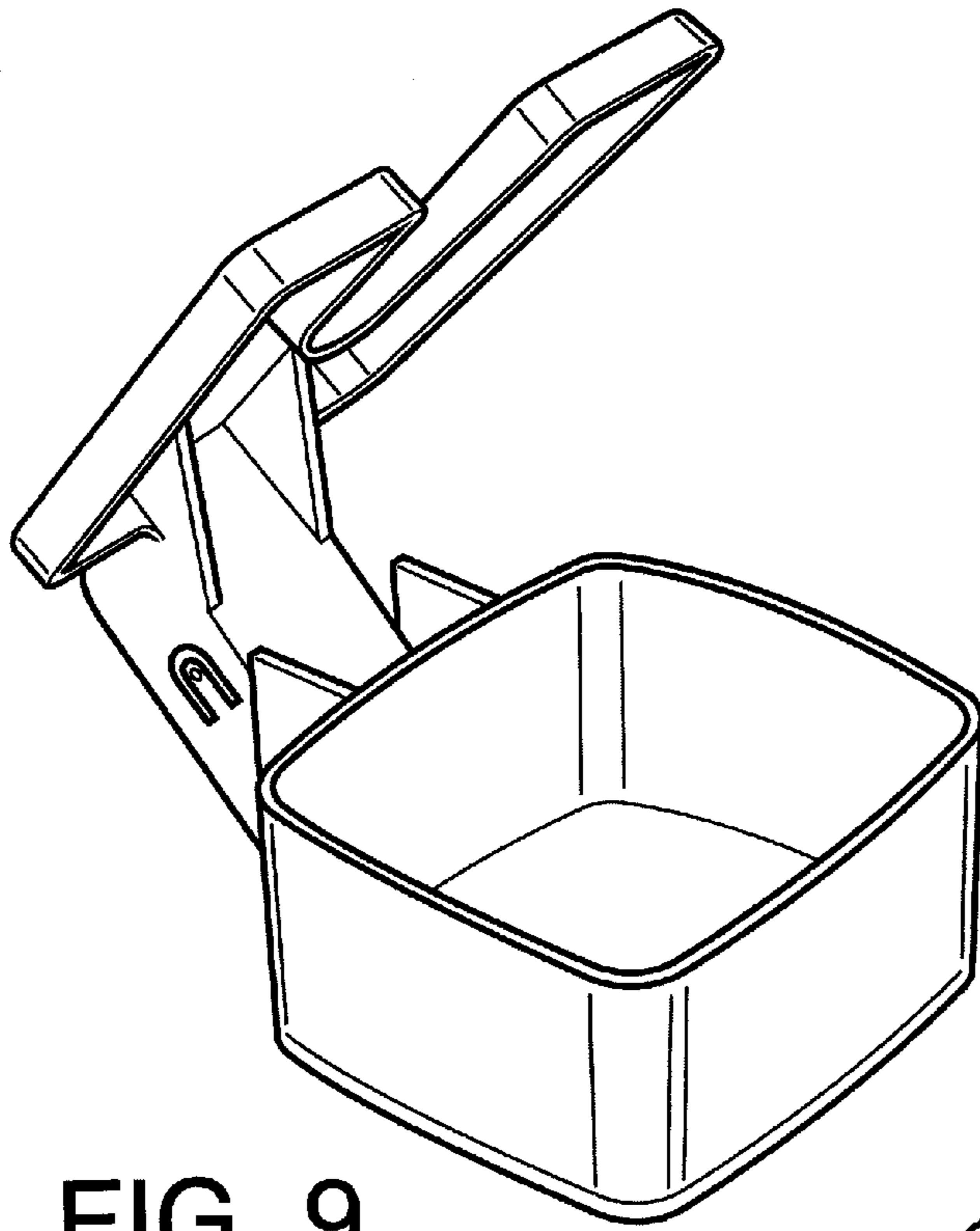


FIG. 9

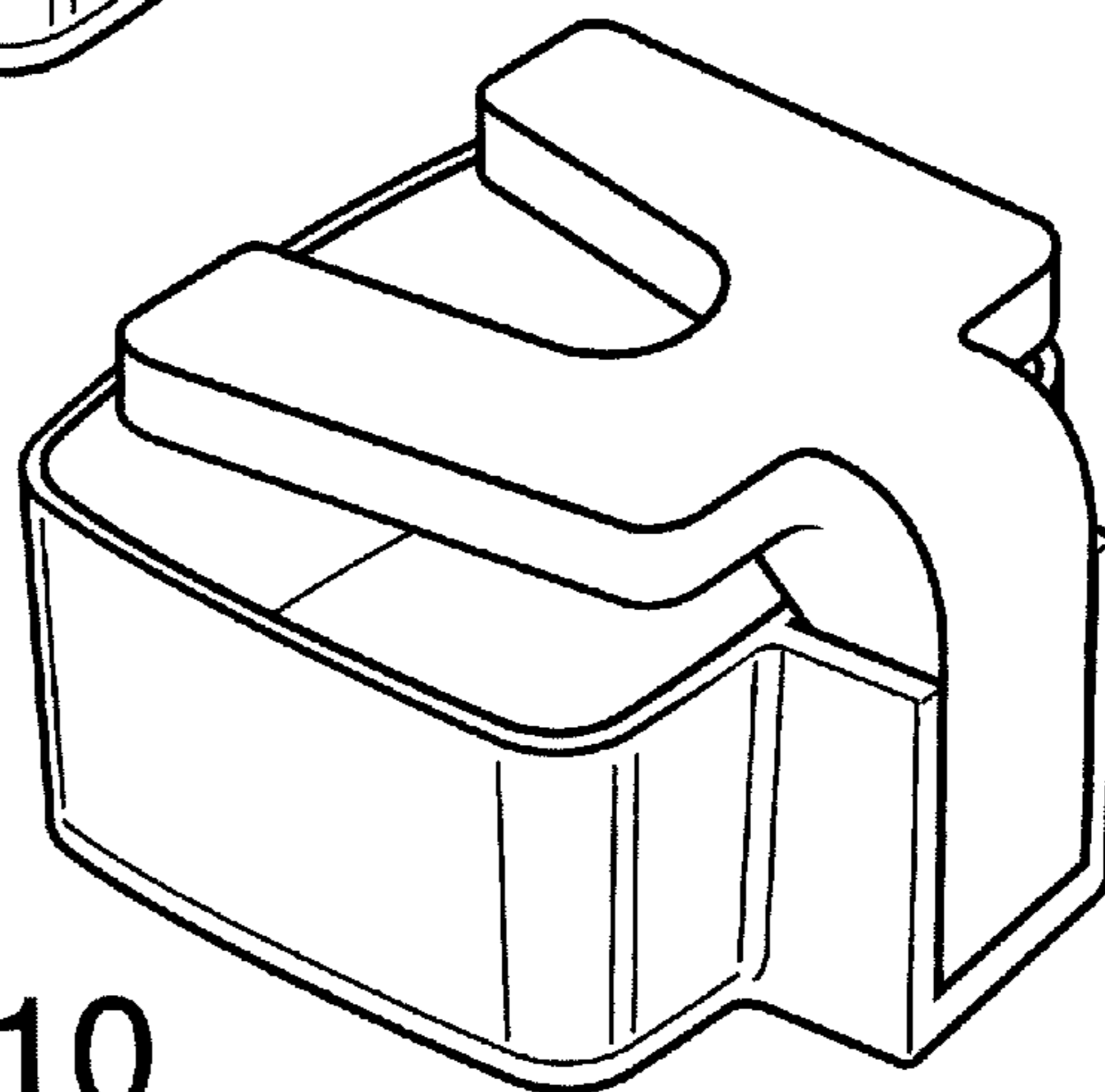


FIG. 10