



US00D761585S

(12) **United States Design Patent**
Roche et al.

(10) **Patent No.:** **US D761,585 S**
(45) **Date of Patent:** **** Jul. 19, 2016**

(54) **DISPENSER**
(71) Applicant: **Georgia-Pacific Consumer Products LP**, Atlanta, GA (US)
(72) Inventors: **Nathan Patrick Roche**, Atlanta, GA (US); **Jason Ernest Begin**, Roswell, GA (US)
(73) Assignee: **GEORGIA-PACIFIC CONSUMER PRODUCTS LP**, Atlanta, GA (US)

D543,402 S 5/2007 Goeking et al.
D543,745 S 6/2007 Goeking et al.
D547,581 S 7/2007 Cittadino et al.
D551,474 S 9/2007 Cittadino et al.
D556,482 S 12/2007 Goeking et al.
D572,058 S * 7/2008 Cittadino D6/518
D613,537 S * 4/2010 Pattberg D6/520
D623,452 S * 9/2010 McNeely D6/518
D667,661 S * 9/2012 Norton D6/520
D695,542 S * 12/2013 Niada D6/518
D719,373 S * 12/2014 Hawry D6/518

(**) Term: **15 Years**

(21) Appl. No.: **29/539,552**

(22) Filed: **Sep. 15, 2015**

(51) **LOC (10) Cl.** **20-02**

(52) **U.S. Cl.** **D6/520**
USPC

(58) **Field of Classification Search**
USPC D6/515-518, 546-550; 108/28-29; 211/13.1, 16, 60.1, 86.01, 88.04, 100, 211/105.1, 105.2, 123, 181.1, 182; 248/175, 176.1, 251, 302; 16/110.1, 16/415; 242/570, 590, 595-598
CPC A47K 10/3836; A47K 2010/3253; A47K 2010/3206

See application file for complete search history.

(56) **References Cited**

U.S. PATENT DOCUMENTS

D156,646 S * 12/1949 Mell D6/518
2,840,319 A * 6/1958 Danko A47K 10/38
242/560.3
D212,010 S * 8/1968 Tucker D6/520
D312,179 S * 11/1990 De Luca D6/518
5,813,624 A * 9/1998 Grasso A47K 10/3836
242/560
6,056,233 A * 5/2000 Von Schenk A47K 10/40
242/594.5
D441,228 S * 5/2001 Andersson D6/518

OTHER PUBLICATIONS

Compact Bath Tissue and Dispensers—Brands—Georgia-Pacific Professional [online][retrieved Dec. 14, 2015]. Retrieved from the Internet: <URL: https://www.gppro.com/brand_compact.aspx>, 3 pages.

Compact® Coreless Bathroom Tissue & Dispensers [online][retrieved Dec. 14, 2015]. Retrieved from the Internet: <URL: <https://www.catalog.gppro.com/catalog/6281>>, 8 pages.

(Continued)

Primary Examiner — David Muller

Assistant Examiner — Nathan Johnston

(74) *Attorney, Agent, or Firm* — Alston & Bird LLP

(57) **CLAIM**

We claim the ornamental design for dispenser, as shown and described.

DESCRIPTION

FIG. 1 is a perspective view of dispenser showing our new design;

FIG. 2 is a front elevation view thereof;

FIG. 3 is a rear elevation view thereof;

FIG. 4 is a left side elevation view thereof;

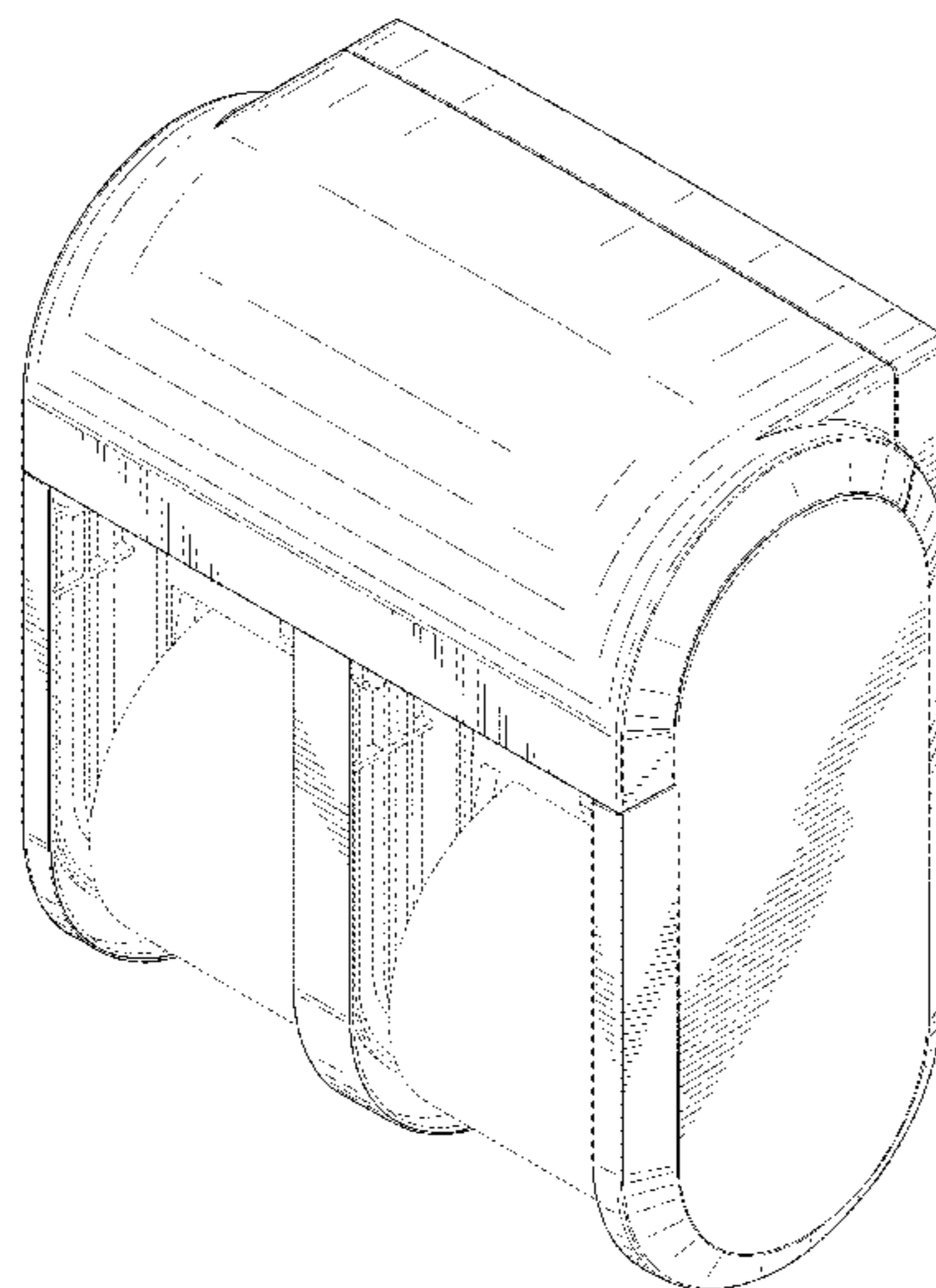
FIG. 5 is a right side elevation view thereof;

FIG. 6 is a top plan view thereof; and,

FIG. 7 is a bottom plan view thereof.

The broken lines are directed to unclaimed features and form no part of the claimed design.

1 Claim, 7 Drawing Sheets



(56)

References Cited

OTHER PUBLICATIONS

Georgia pacific tissue dispenser—*Google Search* [online][retrieved Mar. 9, 2016]. Retrieved from the Internet: <URL: https://www.google.com/search?q=georgia+pacific+toilet+paper+dispenser&source=lnms&tbm=isch&sa=X&ved=0ahUKEwiXyoq187PLAhUJKiYKHURwAaIQ_AUIC-CgC#tbm=isch&q=georgia+pacific+tissue+dispenser>, 2 pages.

Georgia pacific toilet paper dispenser—*Google Search* [online][retrieved Mar. 9, 2016]. Retrieved from the Internet: <URL:

https://www.google.com/search?q=georgia+pacific+toilet+paper+dispenser&source=lnms&tbm=isch&sa=X&ved=0ahUKEwiXyoq187PLAhUJKiYKHURwAaIQ_AUIC-CgC>, 3 pages.

Georgia-Pacific Compact 56784 Translucent Smoke Side-By-Side Double Roll Bathroom Tissue Dispenser: Toilet Paper Holders: Amazon.com [online][retrieved Dec. 14, 2015]. Retrieved from the Internet: <URL: https://www.amazon.com/gp/product/B001B0E7M0/ref=s9_al_bw_g328_il>, 7 pages.

Notice of Allowance for corresponding U.S. Appl. No. 29/539,556 dated Mar. 8, 2016.

* cited by examiner

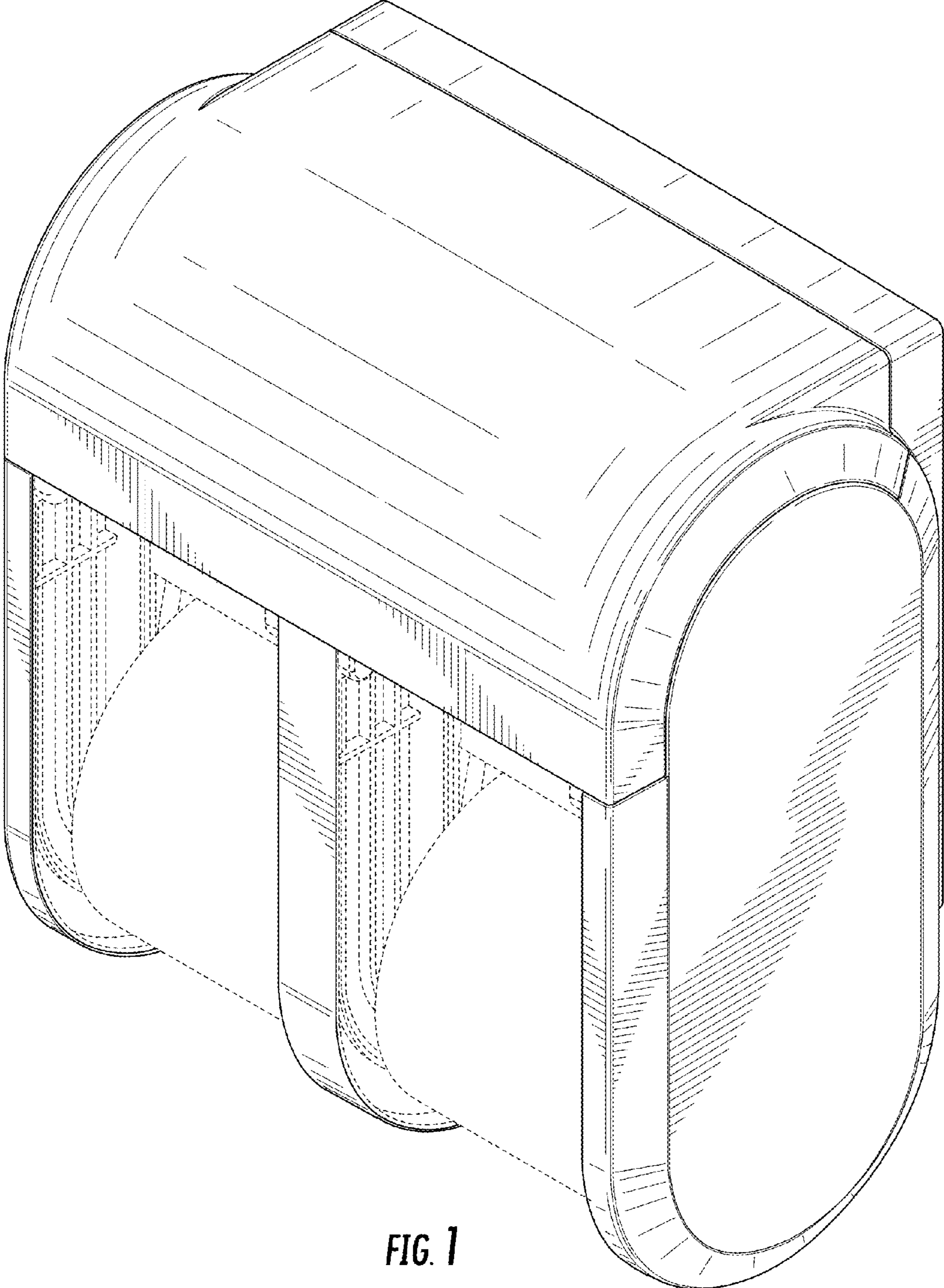


FIG. 1

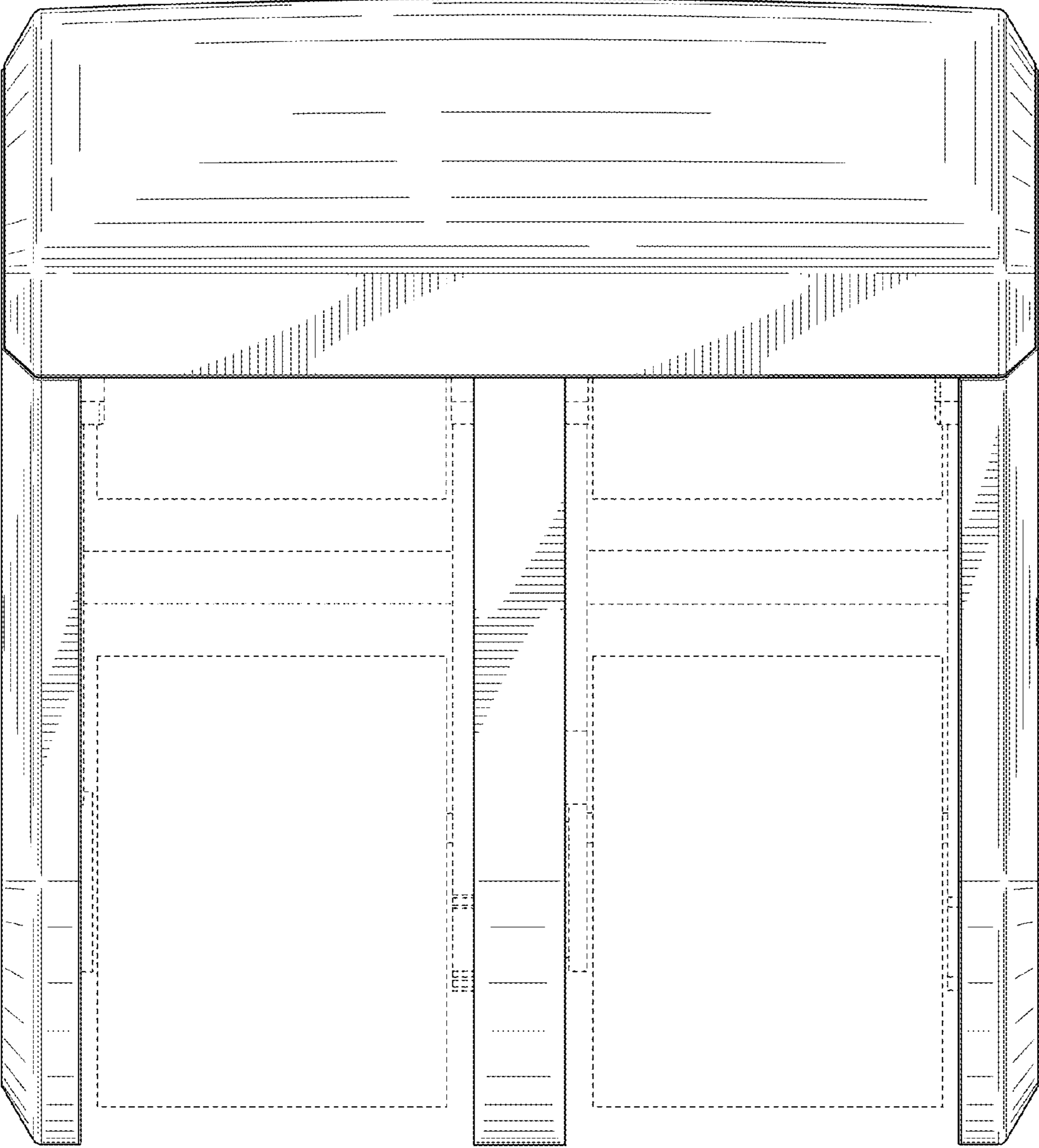


FIG. 2

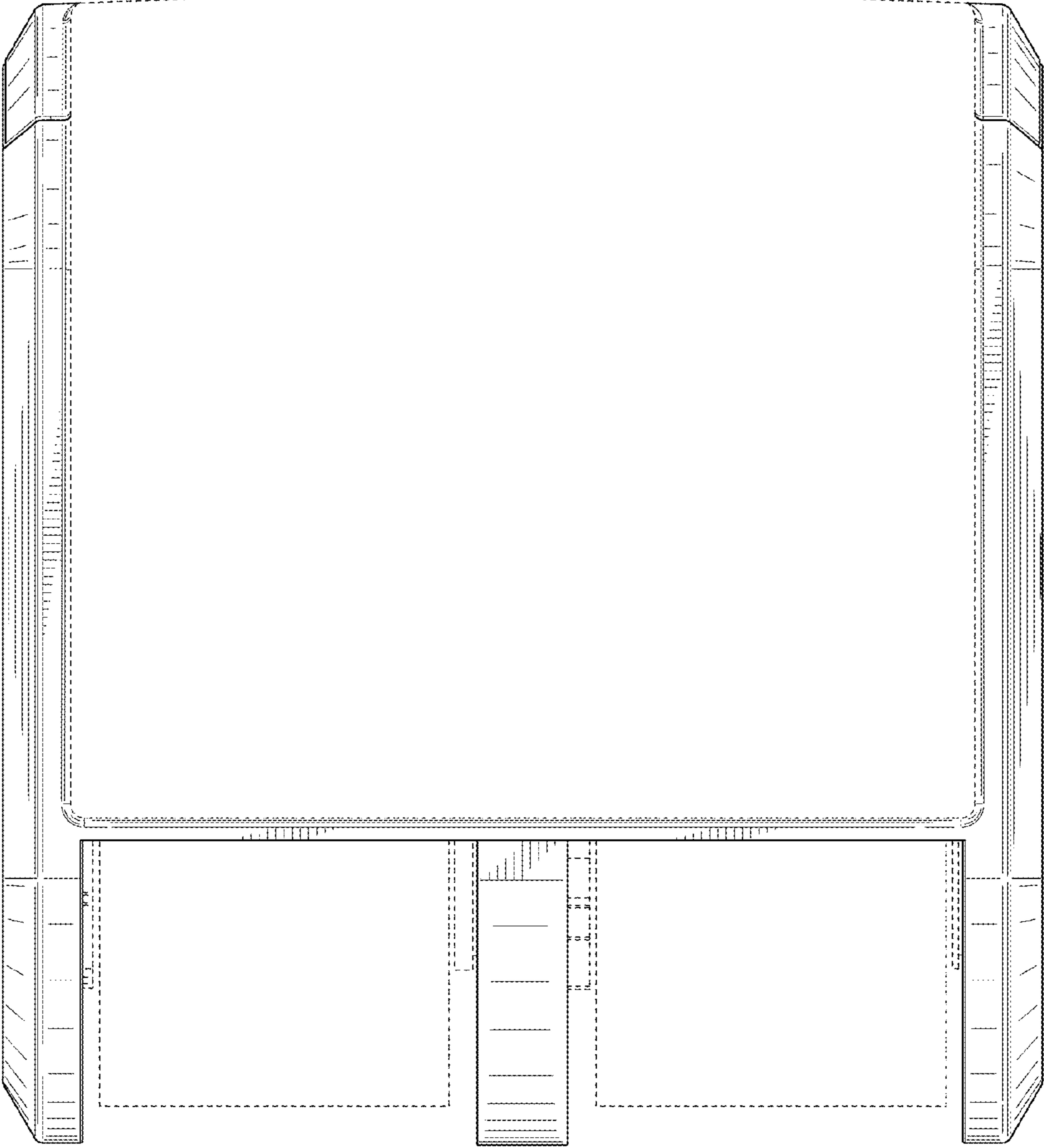


FIG. 3

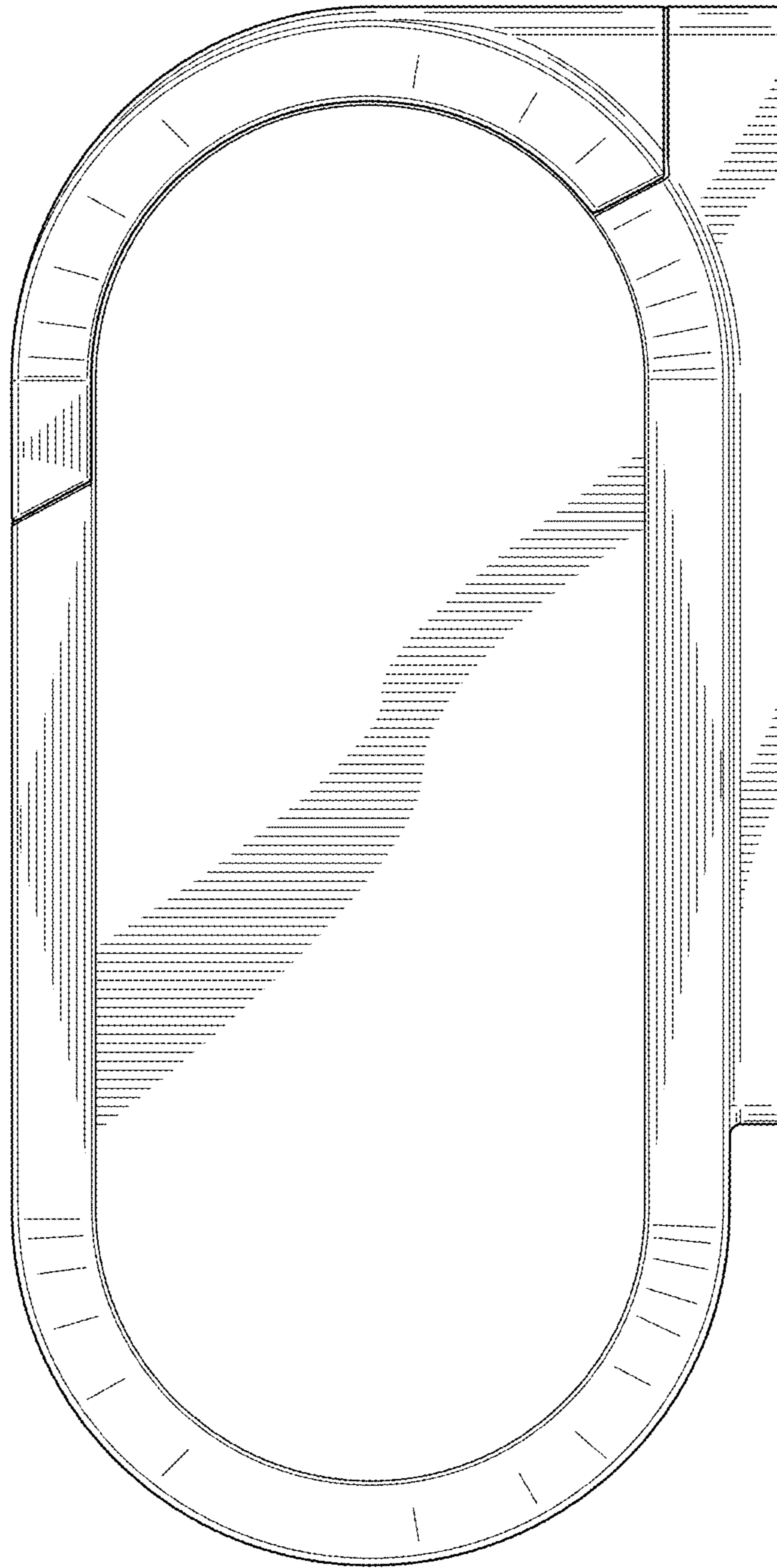


FIG. 4

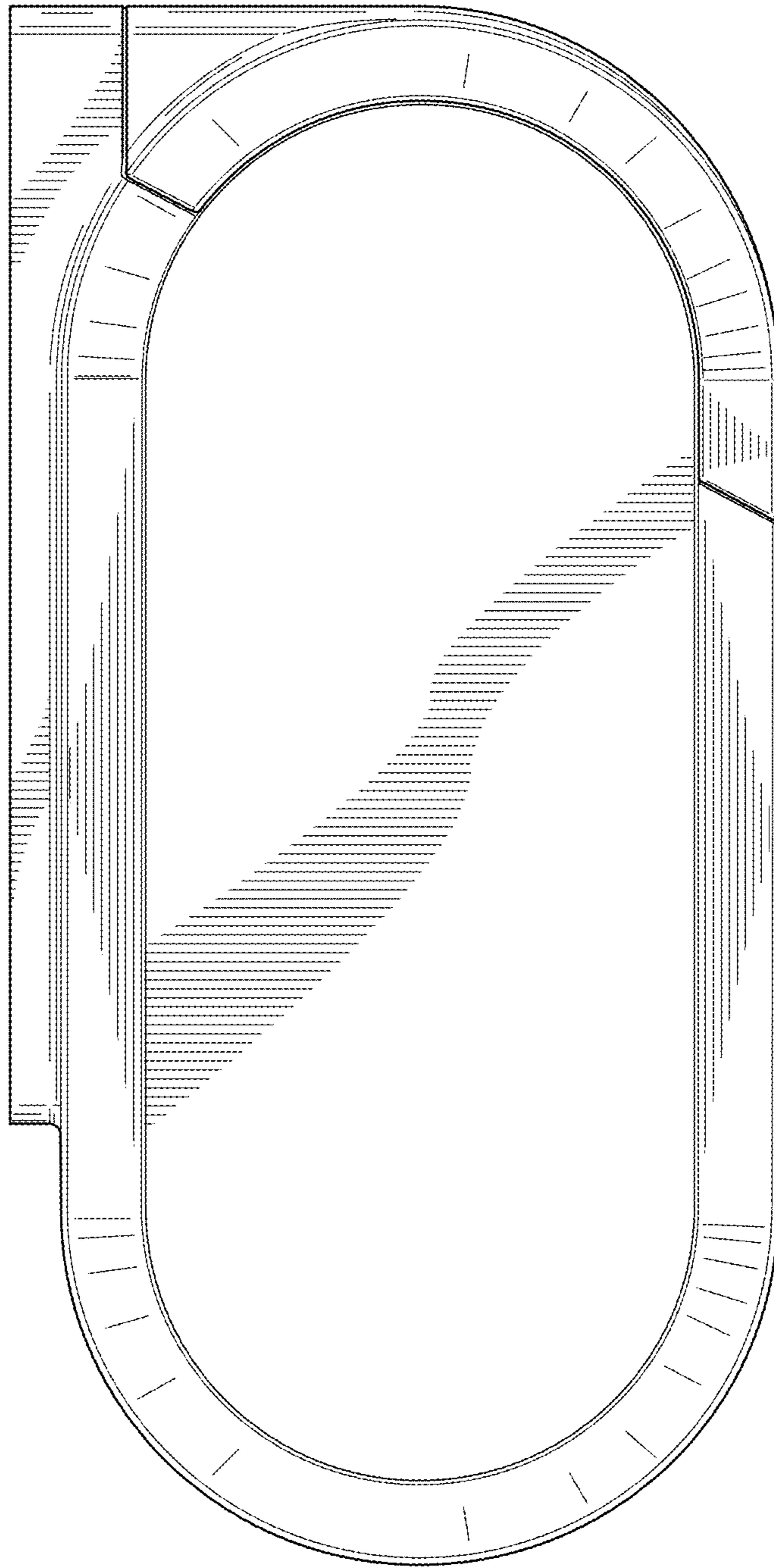


FIG. 5

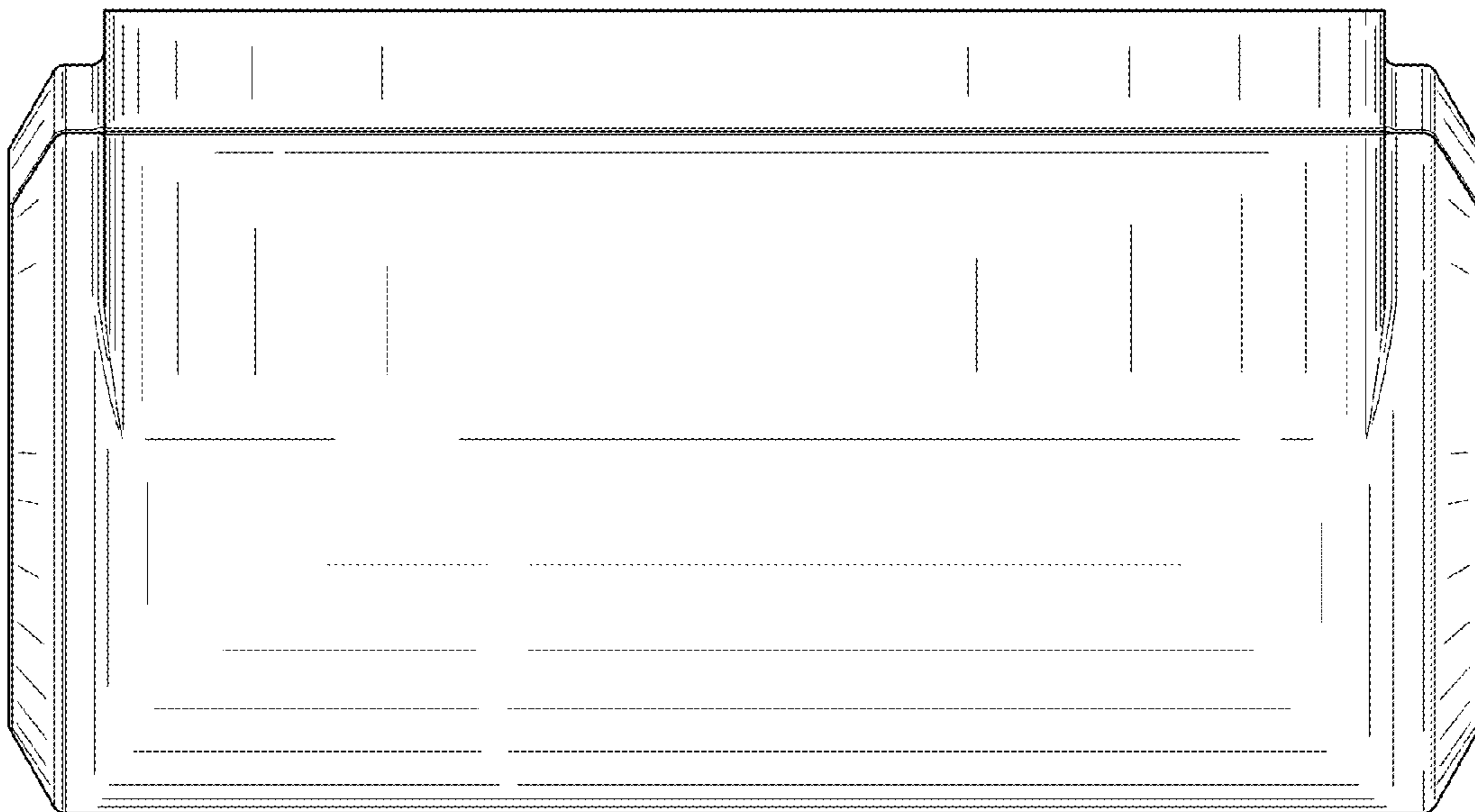


FIG. 6

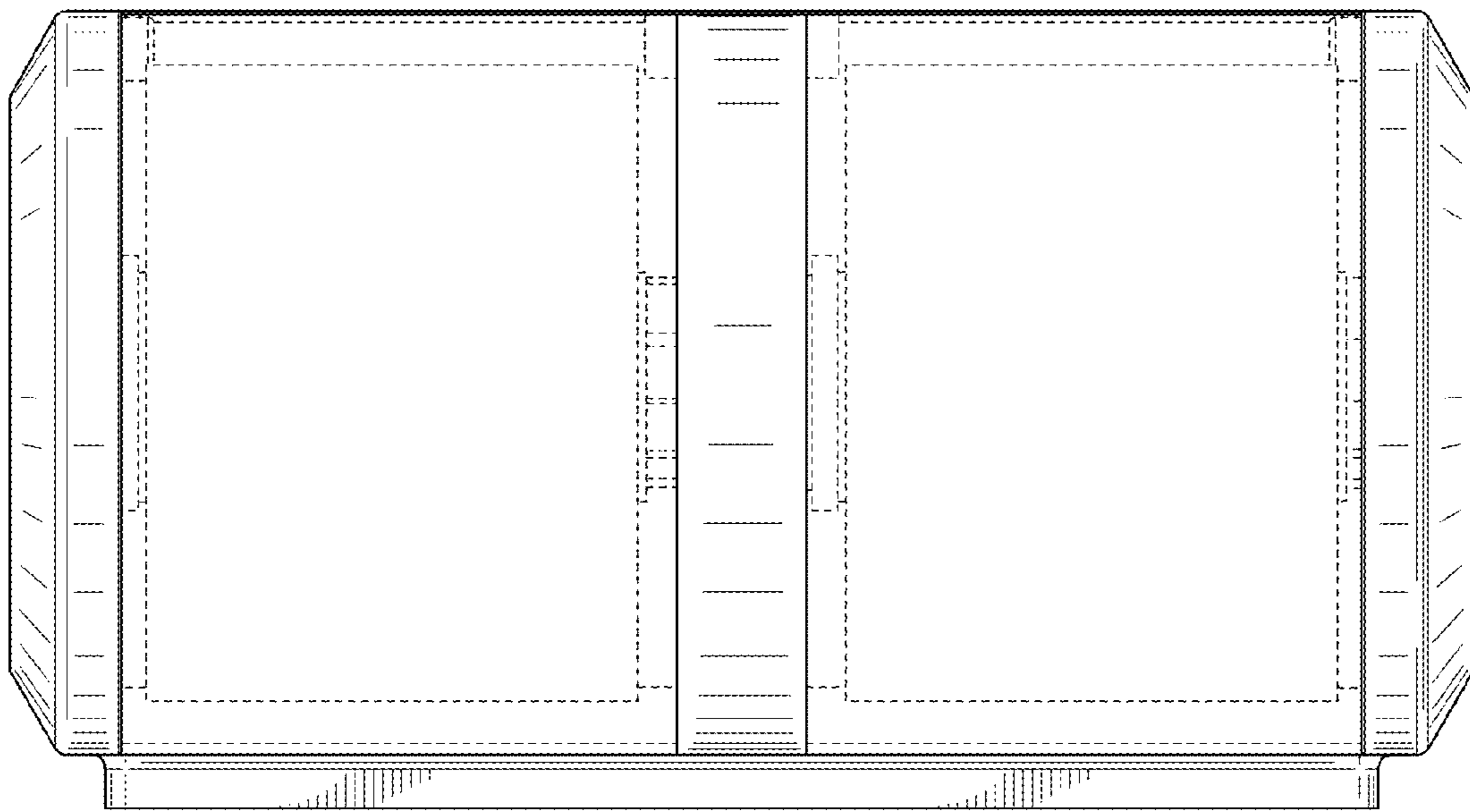


FIG. 7