



US00D761581S

(12) **United States Design Patent**
Frankel et al.

(10) **Patent No.:** **US D761,581 S**
(45) **Date of Patent:** **** Jul. 19, 2016**

(54) **ELASTIC BELT CHAIR**

(71) Applicant: **Zenithen USA LLC**, Diamond Bar, CA (US)

(72) Inventors: **Andrew David Frankel**, Yorba Linda, CA (US); **Shi-Ping Zheng**, Fuzhou (CN); **Tian-Xia Zheng**, Fujian (CN)

(73) Assignee: **Zenithen USA LLC**, Diamond Bar, CA (US)

(**) Term: **14 Years**

(21) Appl. No.: **29/526,191**

(22) Filed: **May 7, 2015**

(51) **LOC (10) Cl.** **06-01**

(52) **U.S. Cl.**
USPC **D6/368**

(58) **Field of Classification Search**
USPC D6/334–336, 368, 370, 371, 373, 375,
D6/379, 380, 716, 716.1, 716.2, 716.3,
D6/716.4

CPC A47C 3/12; A47C 4/00; A47C 4/28;
A47C 4/42; A47C 4/44; A47C 4/48; A47C
4/50; A47C 5/04; A47C 5/10

See application file for complete search history.

(56) **References Cited**

U.S. PATENT DOCUMENTS

D224,635	S	*	8/1972	Yuenger	D6/370
3,694,030	A	*	9/1972	Grosfillex	A47C 3/12 297/440.22
D292,048	S	*	9/1987	Shaffer	D6/363
D338,114	S	*	8/1993	Morin	D6/370
D417,104	S	*	11/1999	Chalmers	D6/370
5,976,664	A	*	11/1999	Lohmeyer	A47C 7/44 297/445.1
D475,860	S	*	6/2003	Yang	D6/367

D499,258	S	*	12/2004	Tseng	D6/368
6,877,814	B2	*	4/2005	Lin	A47C 5/10 297/440.1
6,938,951	B1	*	9/2005	Tseng	A47C 4/48 297/16.1
7,000,983	B1	*	2/2006	Tsai	A47C 4/50 297/56
D555,378	S	*	11/2007	Tsai	D6/368
D608,104	S	*	1/2010	Vonnegut	D6/370
8,801,090	B2	*	8/2014	Akkad	A47C 4/48 297/46
D718,549	S	*	12/2014	Akkad	D6/368
2003/0234561	A1	*	12/2003	Zheng	A47C 5/10 297/45
2004/0245810	A1	*	12/2004	Tseng	A47C 4/50 297/56
2007/0187998	A1	*	8/2007	Chen	A47C 4/44 297/45
2010/0164256	A1	*	7/2010	Salisbury	A47C 4/28 297/16.2

* cited by examiner

Primary Examiner — Mimoso De

(74) *Attorney, Agent, or Firm* — Merek, Blackmon & Voorhees, LLC

(57) **CLAIM**

The ornamental design for an elastic belt chair, as shown and described.

DESCRIPTION

FIG. 1 is a front elevational view of our elastic belt chair; FIG. 2 is a right side perspective view of the elastic belt chair shown in FIG. 1, with the left side perspective view being a mirror image thereof; FIG. 3 is a right side elevational view of the elastic belt chair, with the left side elevational view being a mirror image thereof; FIG. 4 is a rear elevational view of the elastic belt chair; FIG. 5 is a bottom plan view of the elastic belt chair; and, FIG. 6 is a top plan view of the elastic belt chair.

1 Claim, 6 Drawing Sheets

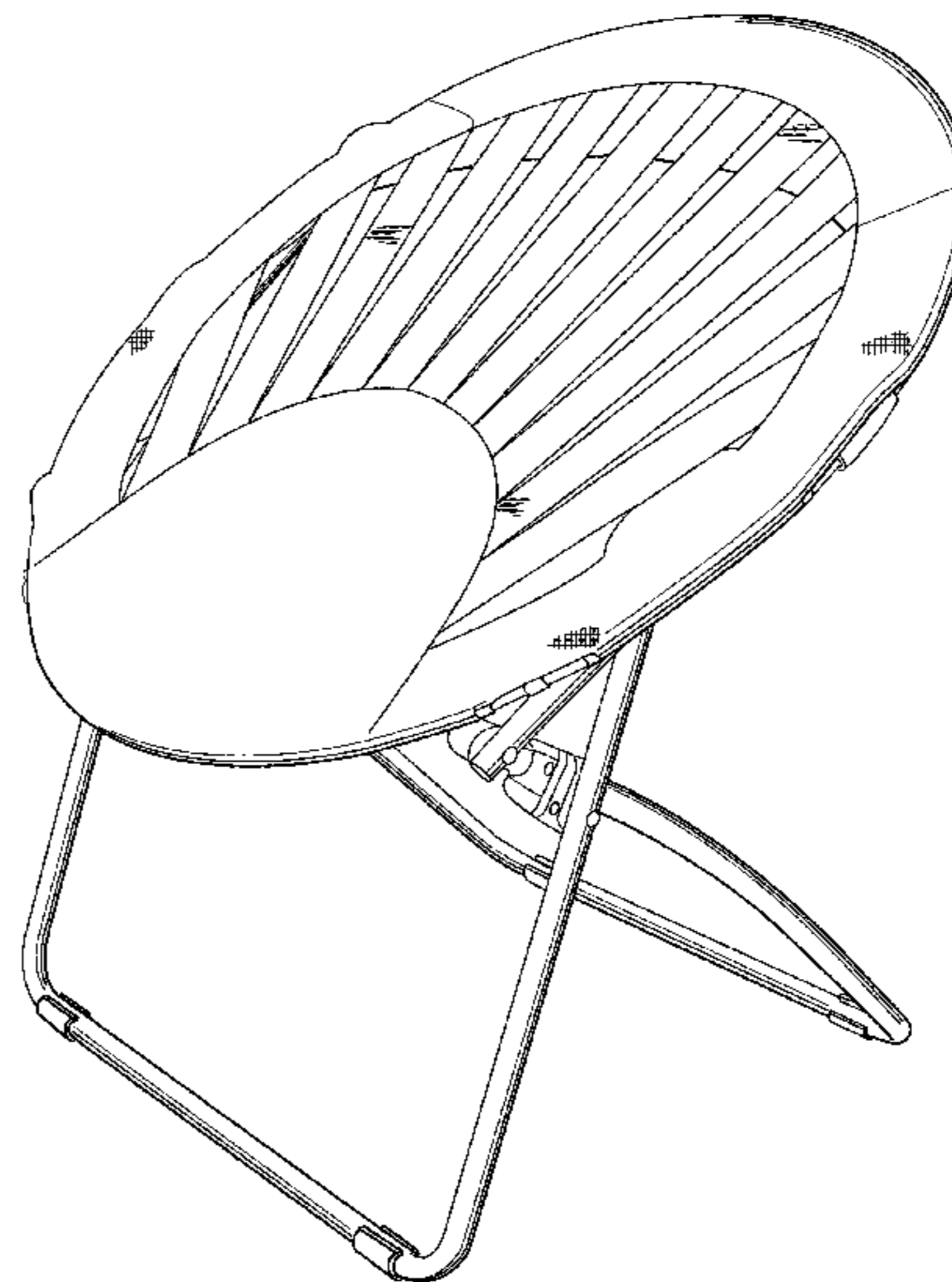
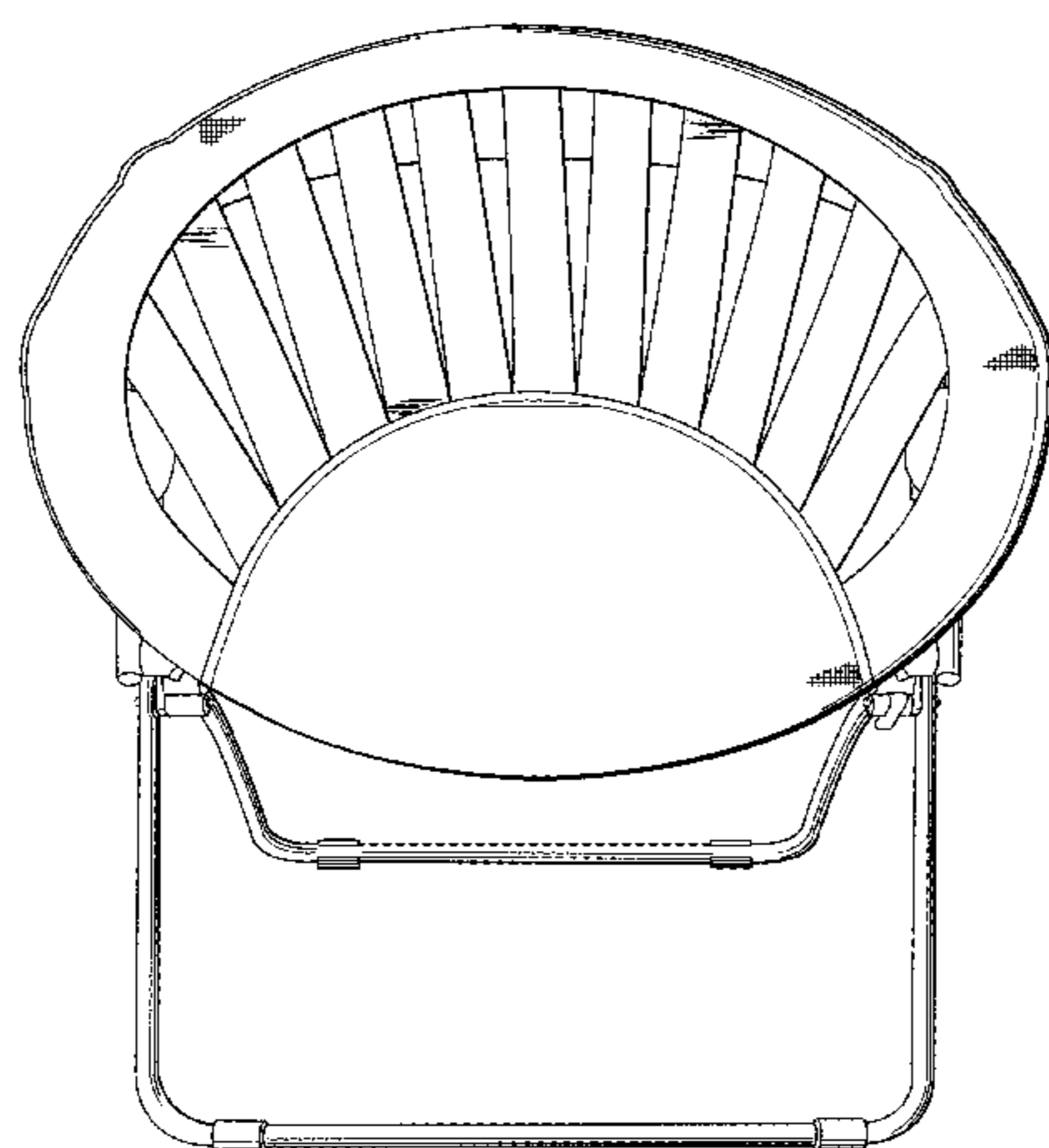


Fig. 1

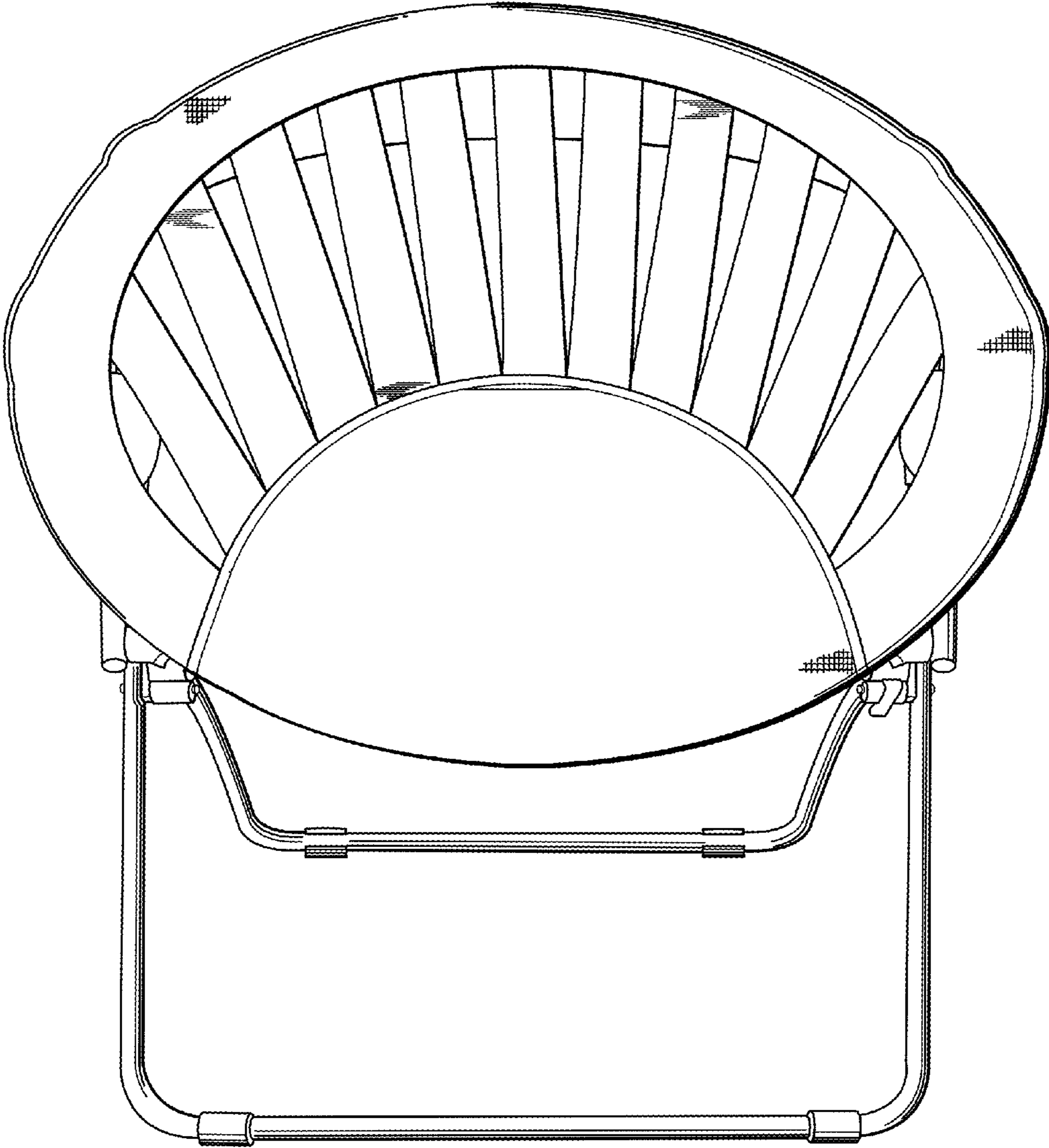


Fig. 2

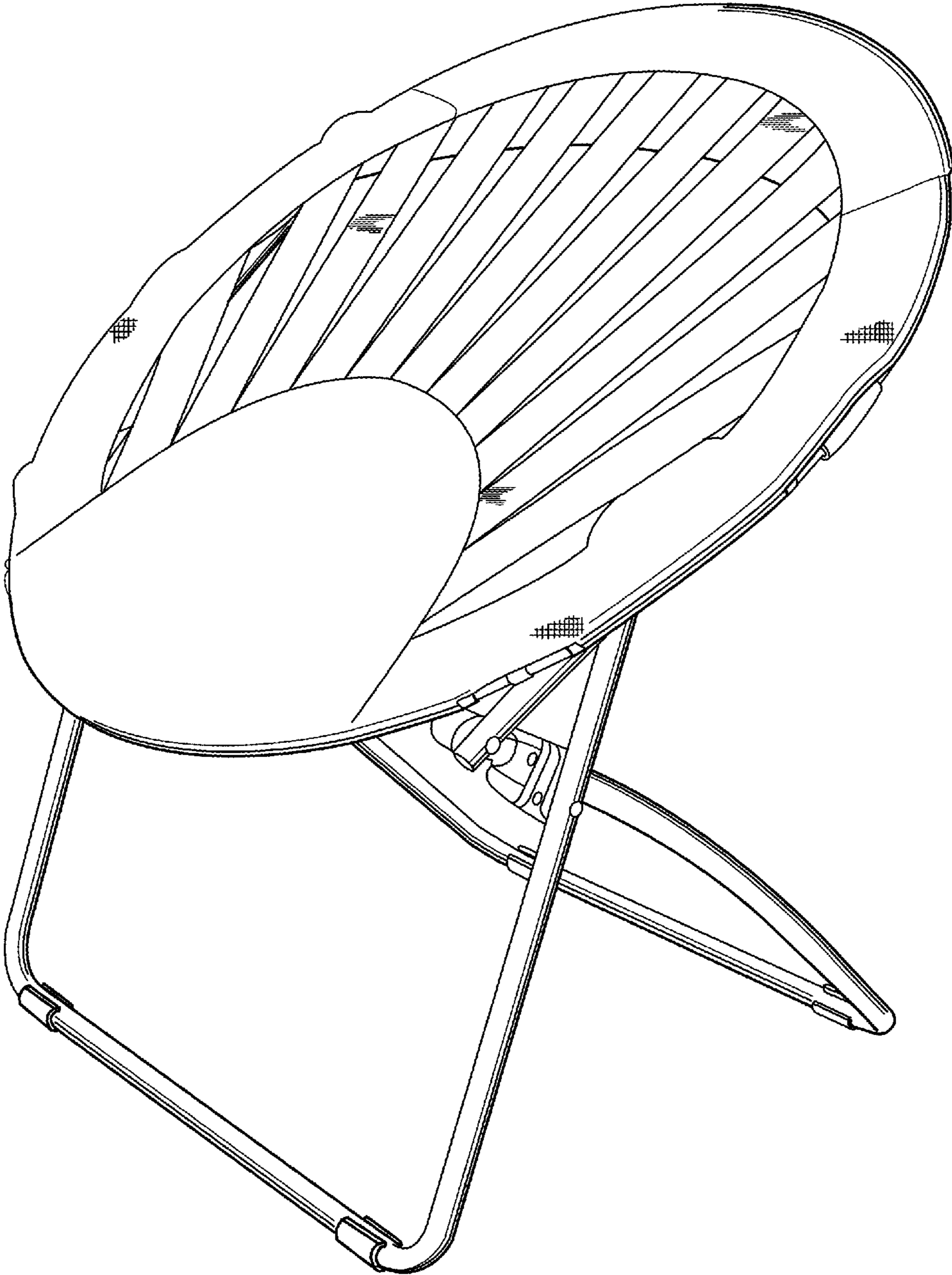


Fig. 3

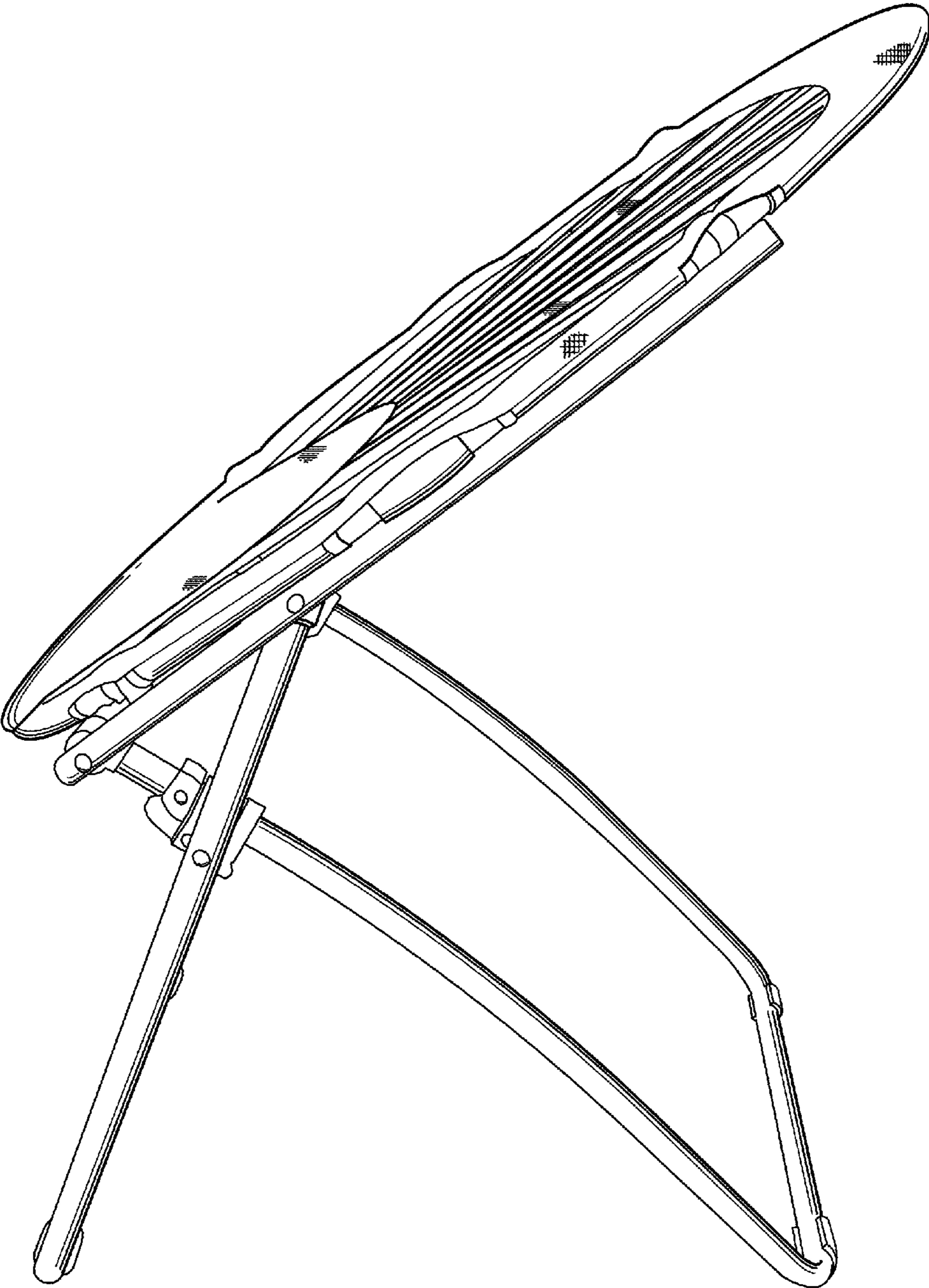


Fig. 4

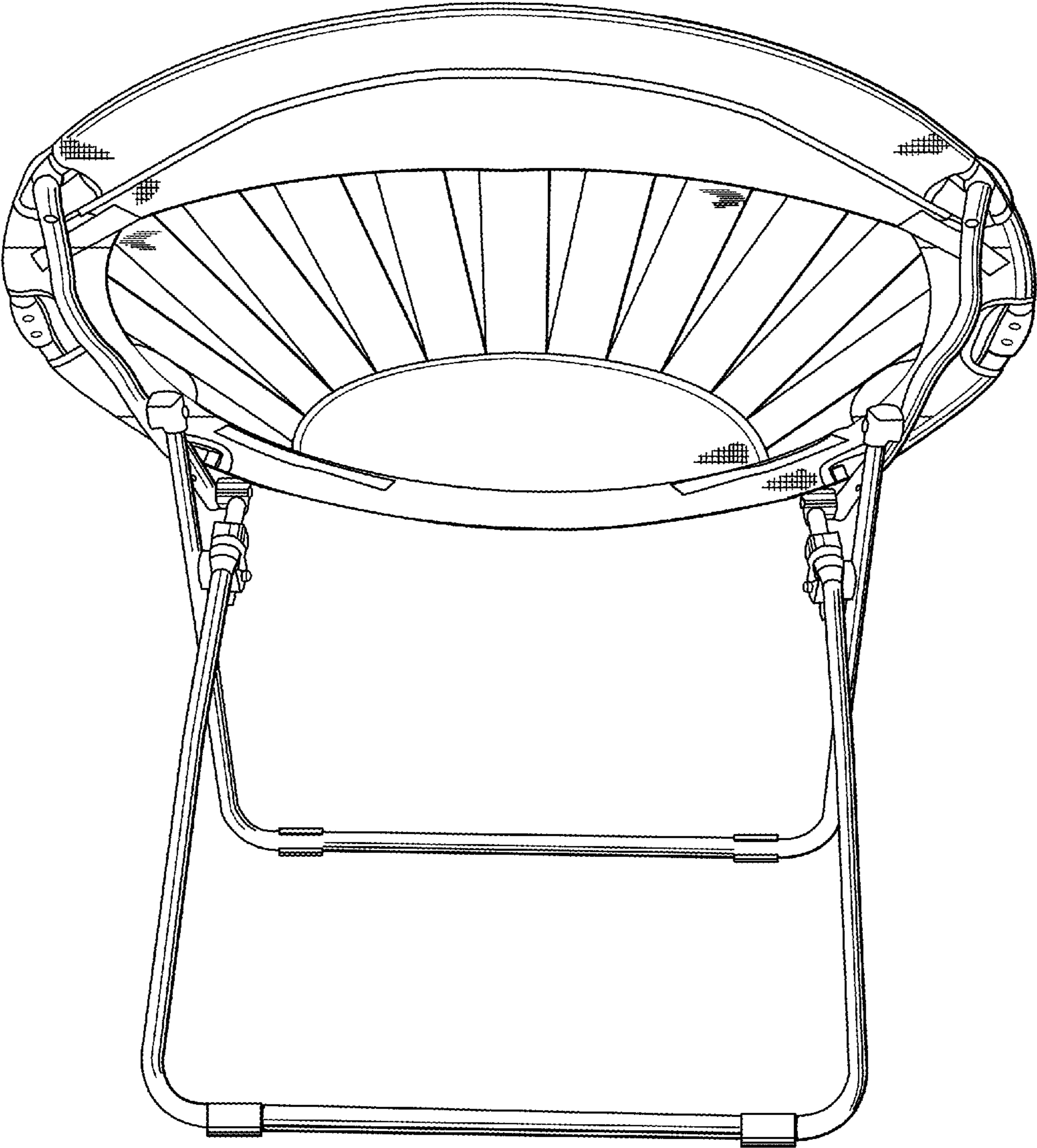


Fig. 5

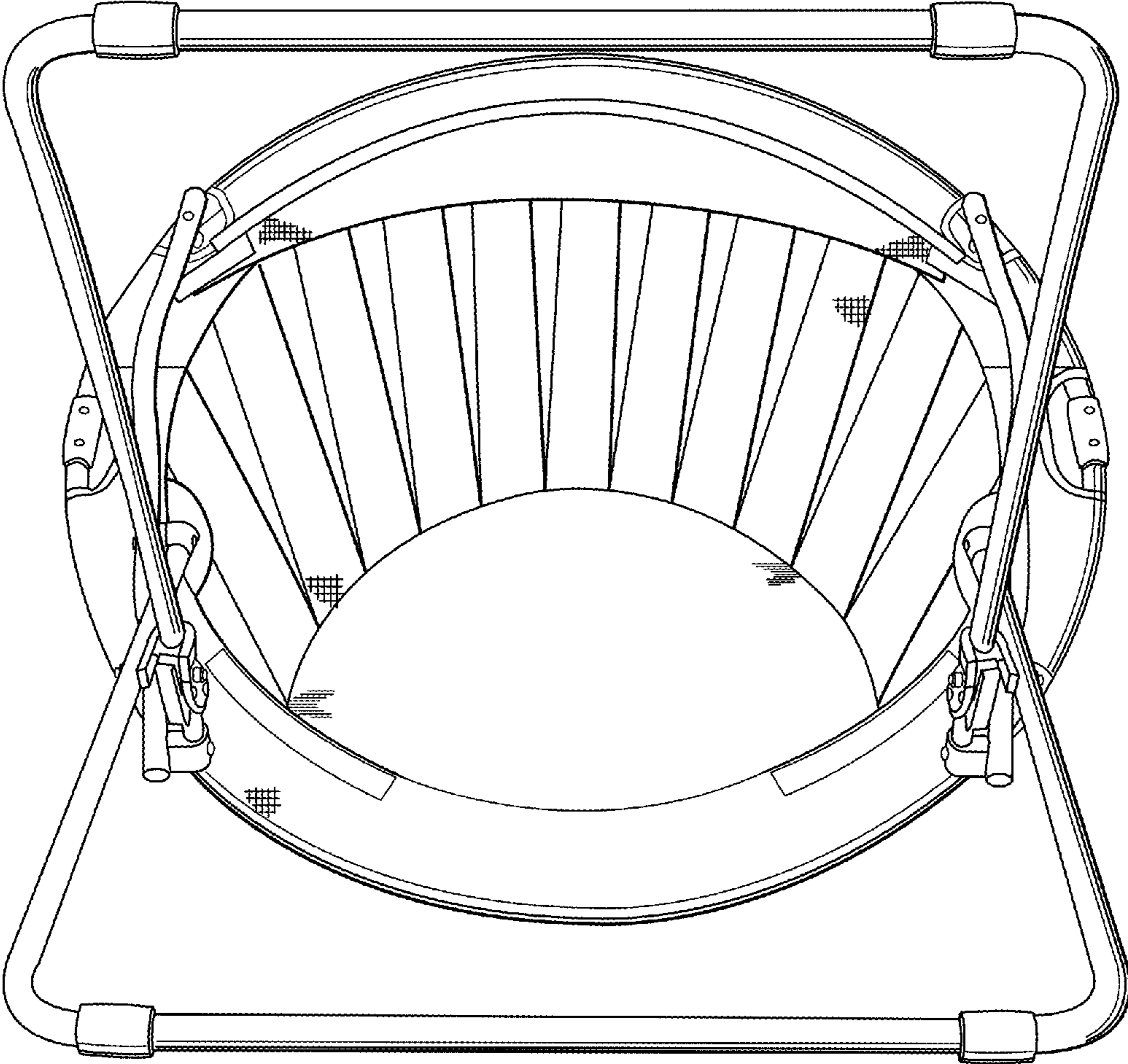


Fig. 6

