

US00D761579S

(12) **United States Design Patent**
Lievore et al.

(10) **Patent No.:** **US D761,579 S**
(45) **Date of Patent:** **** Jul. 19, 2016**

(54) **OFFICE CHAIR**

(56) **References Cited**

(71) Applicant: **ARPER S.p.A.**, Monastier di Treviso
(Treviso) (IT)
(72) Inventors: **Alberto Lievore**, Monastier di Treviso
(IT); **Jeannette Altherr**, Monastier di
Treviso (IT); **Manel Molina**, Monastier
di Treviso (IT)
(73) Assignee: **ARPER S.p.A.**, Monastier di Treviso
(Treviso) (IT)

U.S. PATENT DOCUMENTS

D233,638	S	*	11/1974	Offredi	D6/366
D297,600	S	*	9/1988	Wilson	D6/366
D337,442	S	*	7/1993	Baker	D6/366
D423,261	S	*	4/2000	Ritch	D6/366
D607,672	S	*	1/2010	Kubryk	D6/366
D623,447	S	*	9/2010	Kubryk	D6/716
D649,796	S	*	12/2011	Lievore	D6/366
D657,151	S	*	4/2012	Lievore	D6/366
D683,979	S	*	6/2013	Miller	D6/366
D734,632	S	*	7/2015	Hara	D6/366
D738,658	S	*	9/2015	Bellin	D6/375

* cited by examiner

(**) Term: **14 Years**
(21) Appl. No.: **29/523,913**
(22) Filed: **Apr. 15, 2015**

Primary Examiner — Mimoso De
(74) *Attorney, Agent, or Firm* — Thomas | Horstemeyer,
LLP

(30) **Foreign Application Priority Data**

Oct. 17, 2014 (WO) 846242301

(51) **LOC (10) Cl.** **06-01**

(52) **U.S. Cl.**
USPC **D6/366**

(58) **Field of Classification Search**
USPC D6/334–336, 364, 365, 366, 374, 375,
D6/379, 380, 716, 716.1, 716.2, 716.4
CPC A47C 7/16; A47C 7/54; A47C 7/022;
A47C 7/40; A47C 7/18; A47C 7/22; A47C
7/24

See application file for complete search history.

(57) **CLAIM**
The ornamental design for an office chair, as shown and
described.

DESCRIPTION

FIG. 1 is a perspective view of my new office chair;
FIG. 2 is a perspective view of my new office chair from a
back opposite that of FIG. 1;
FIG. 3 is a front elevational view of my new office chair of
FIG. 1;
FIG. 4 is a rear elevational view of my new office chair,
opposite that of FIG. 3;
FIG. 5 is a side elevational view of my new office chair of FIG.
1;
FIG. 6 is a side elevational view of my new office chair from
a side opposite that of FIG. 5;
FIG. 7 is a top view of my new office chair; and,
FIG. 8 is a bottom view of my new office chair.

1 Claim, 8 Drawing Sheets

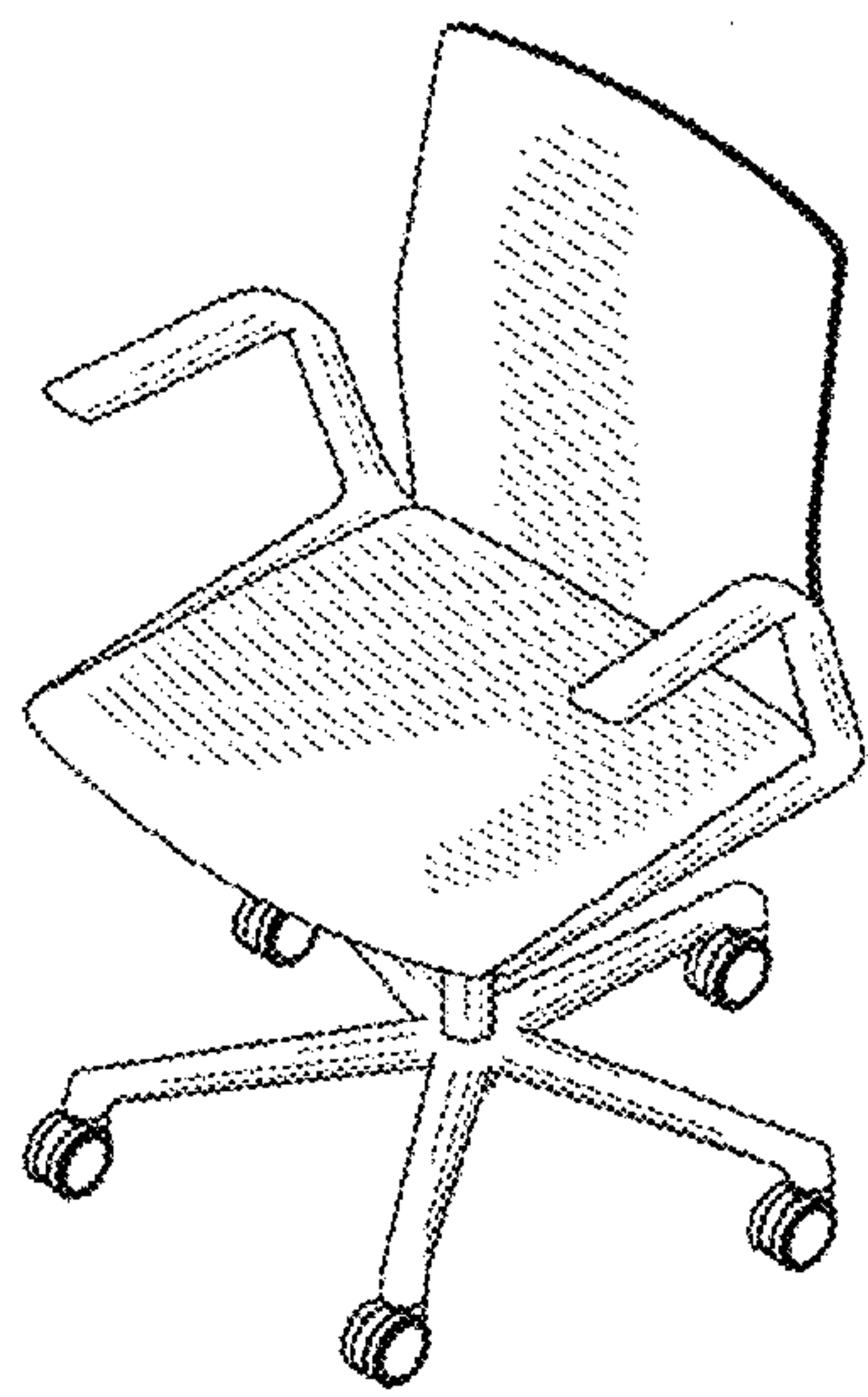




FIG. 1

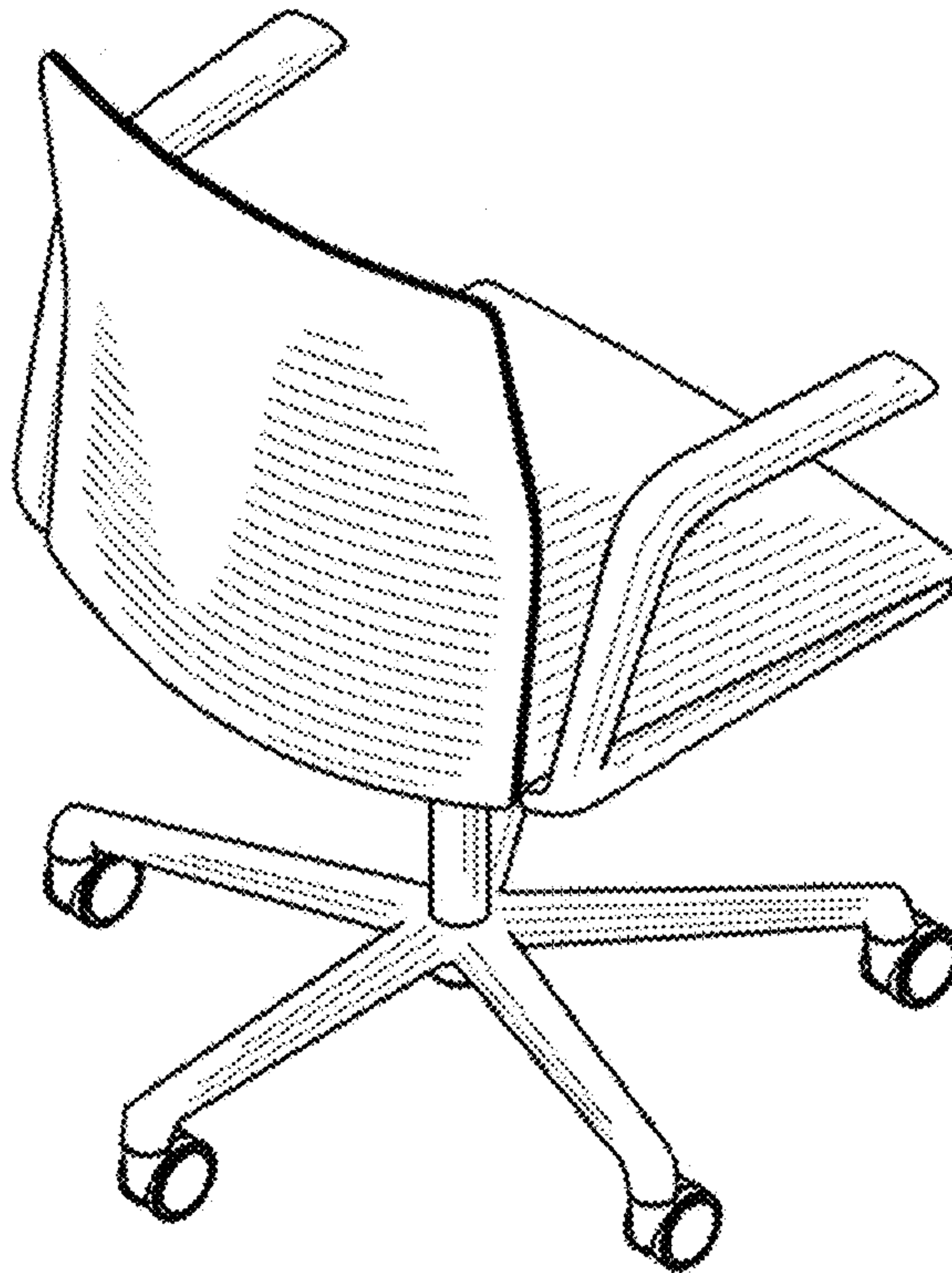


FIG. 2

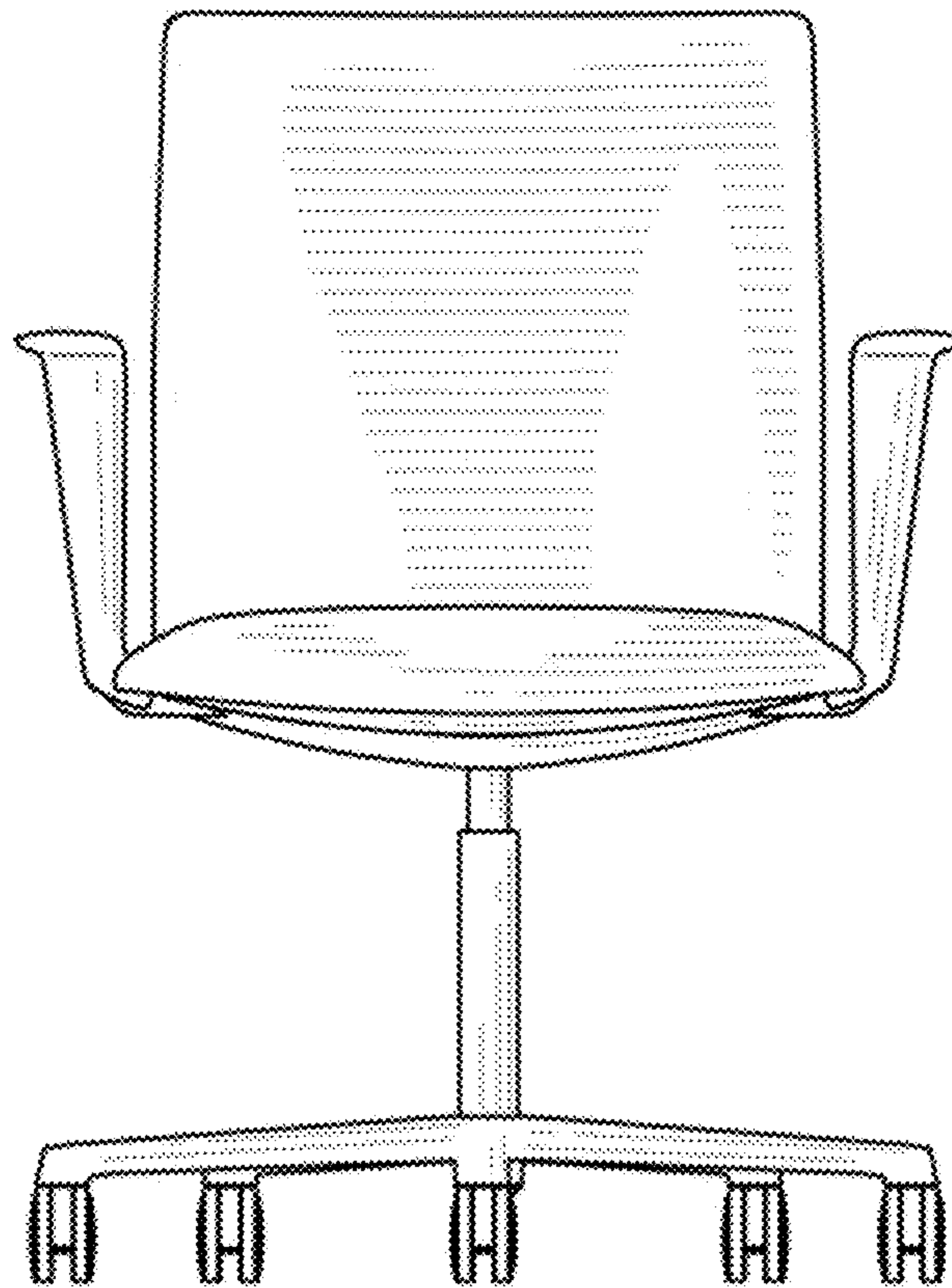


FIG. 3

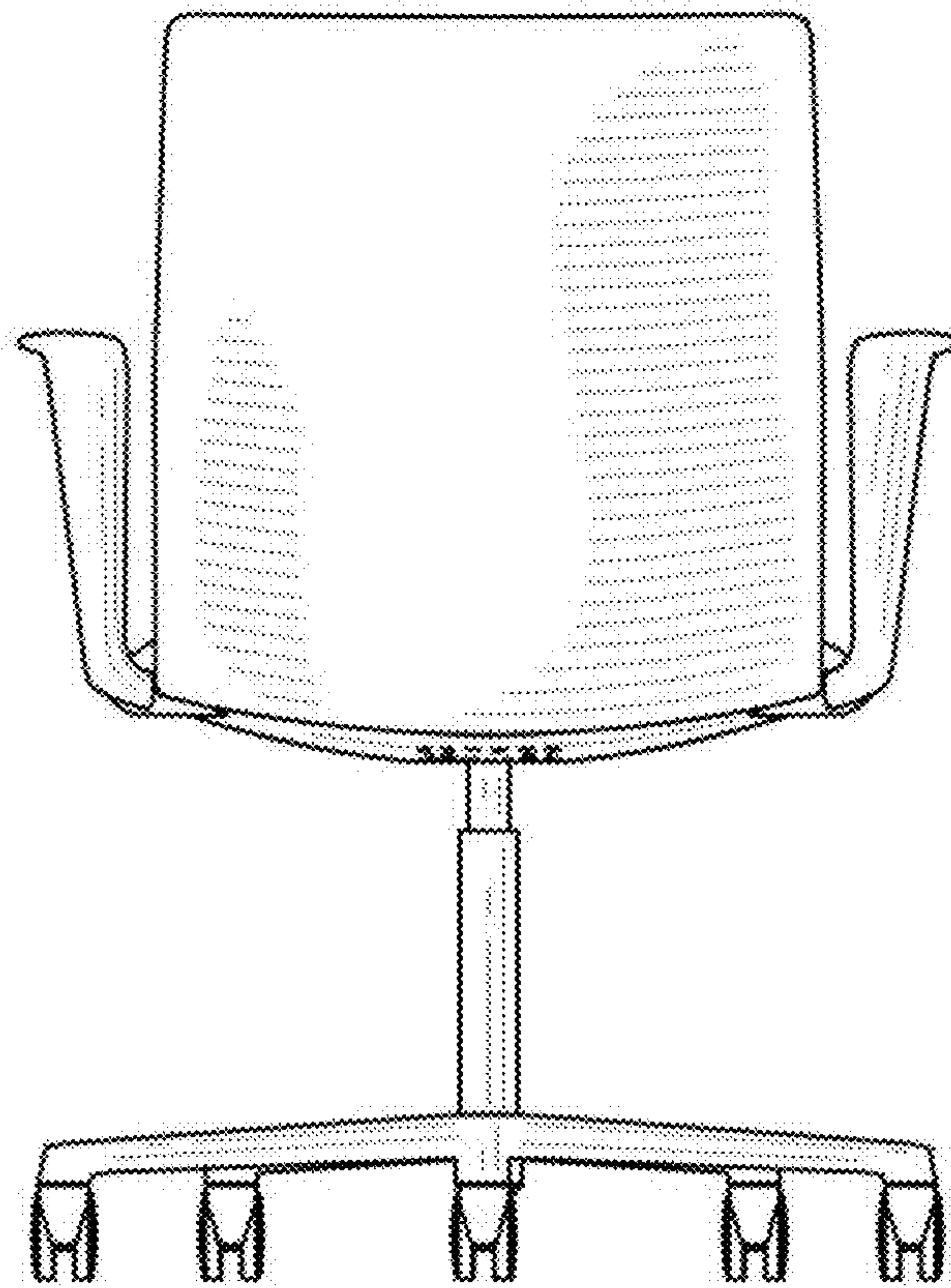


FIG. 4

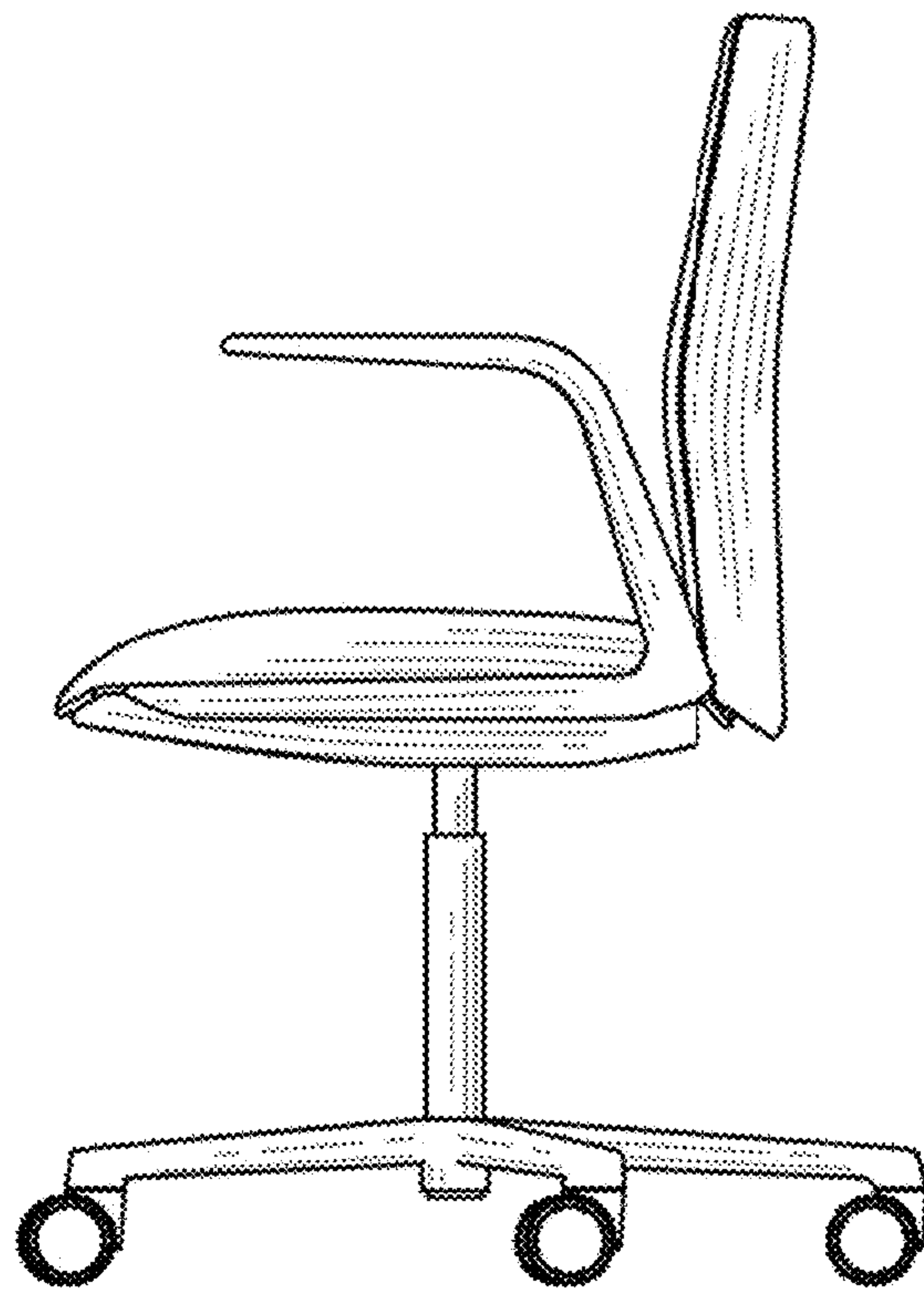


FIG. 5

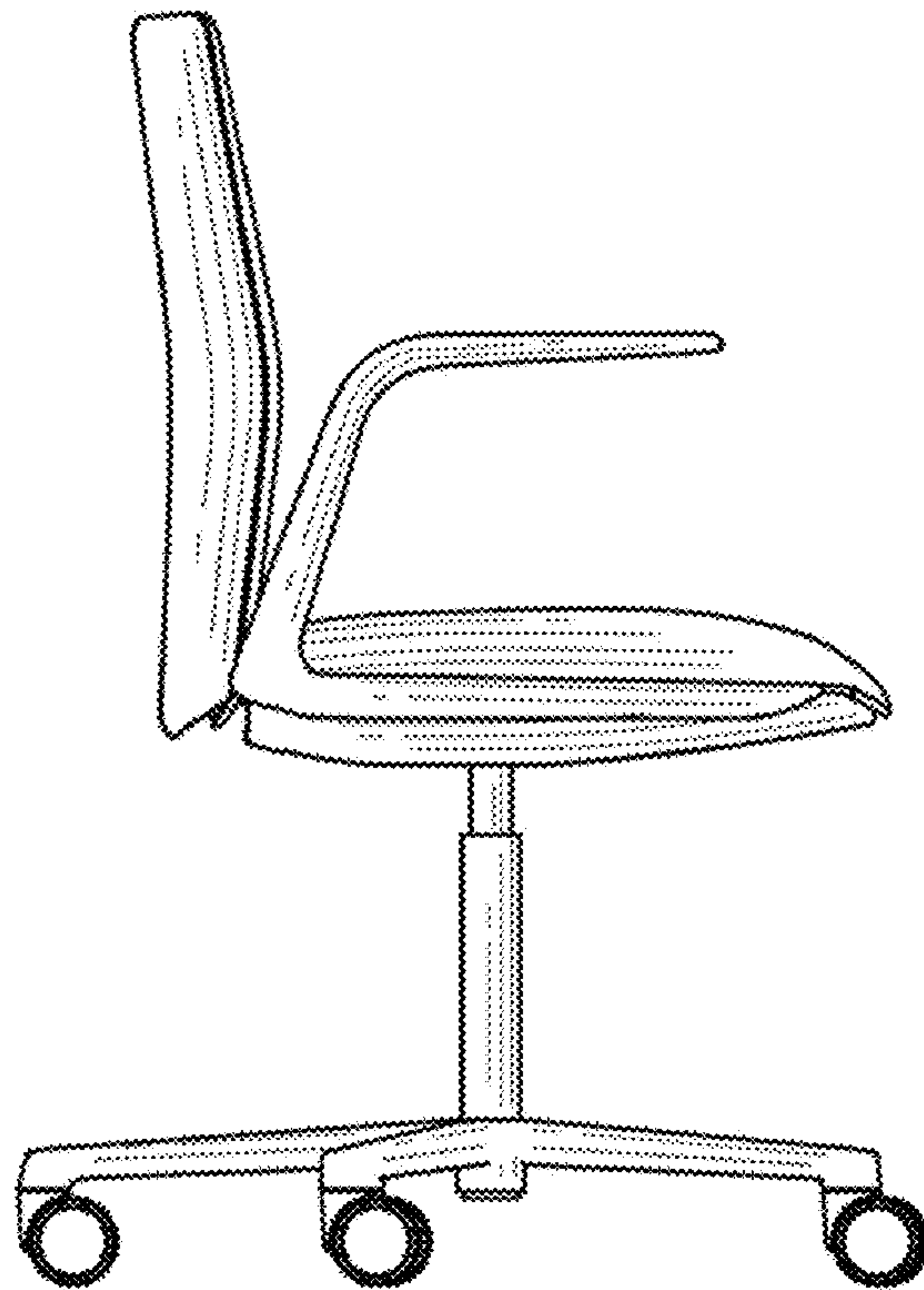


FIG. 6

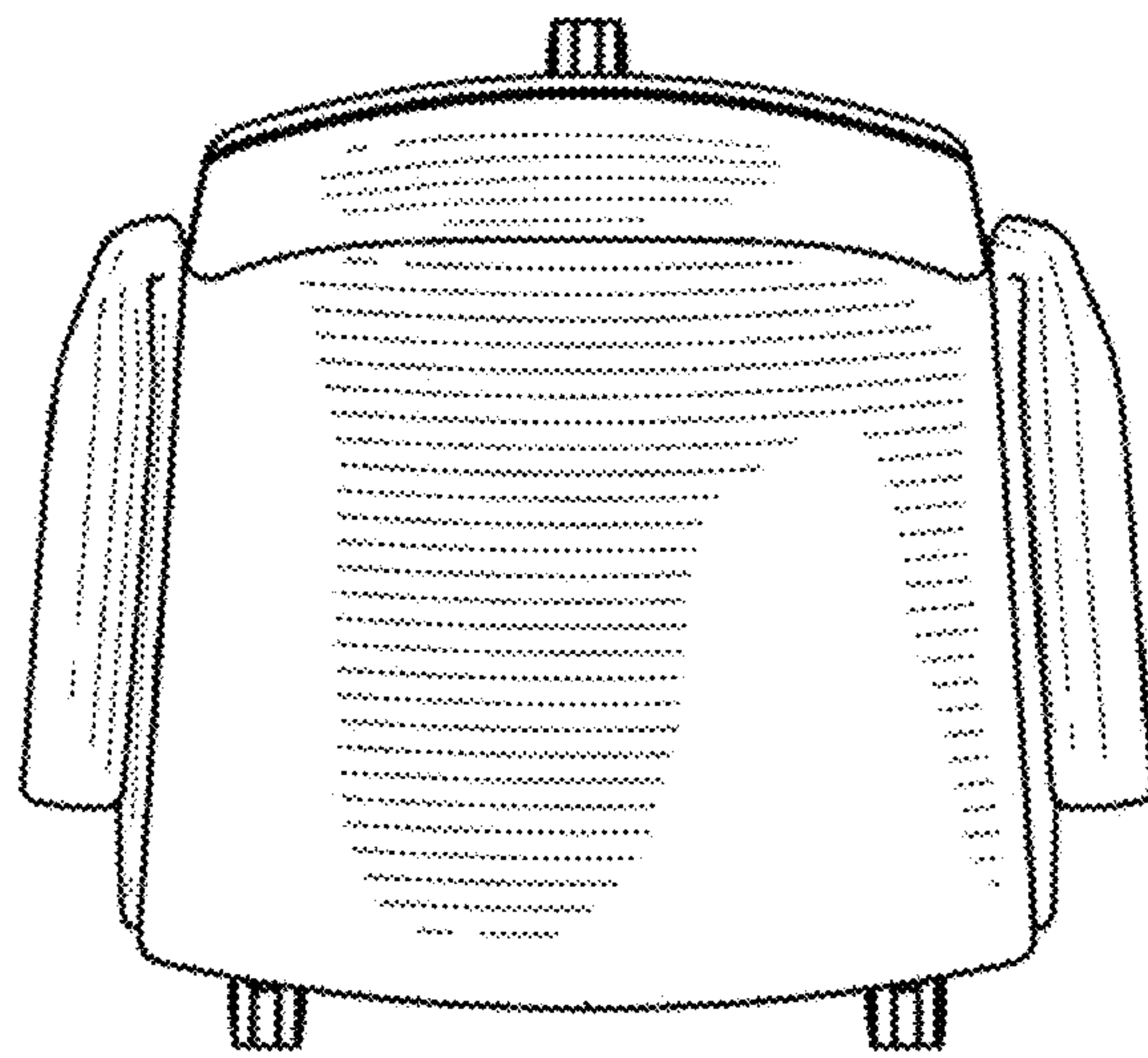


FIG. 7

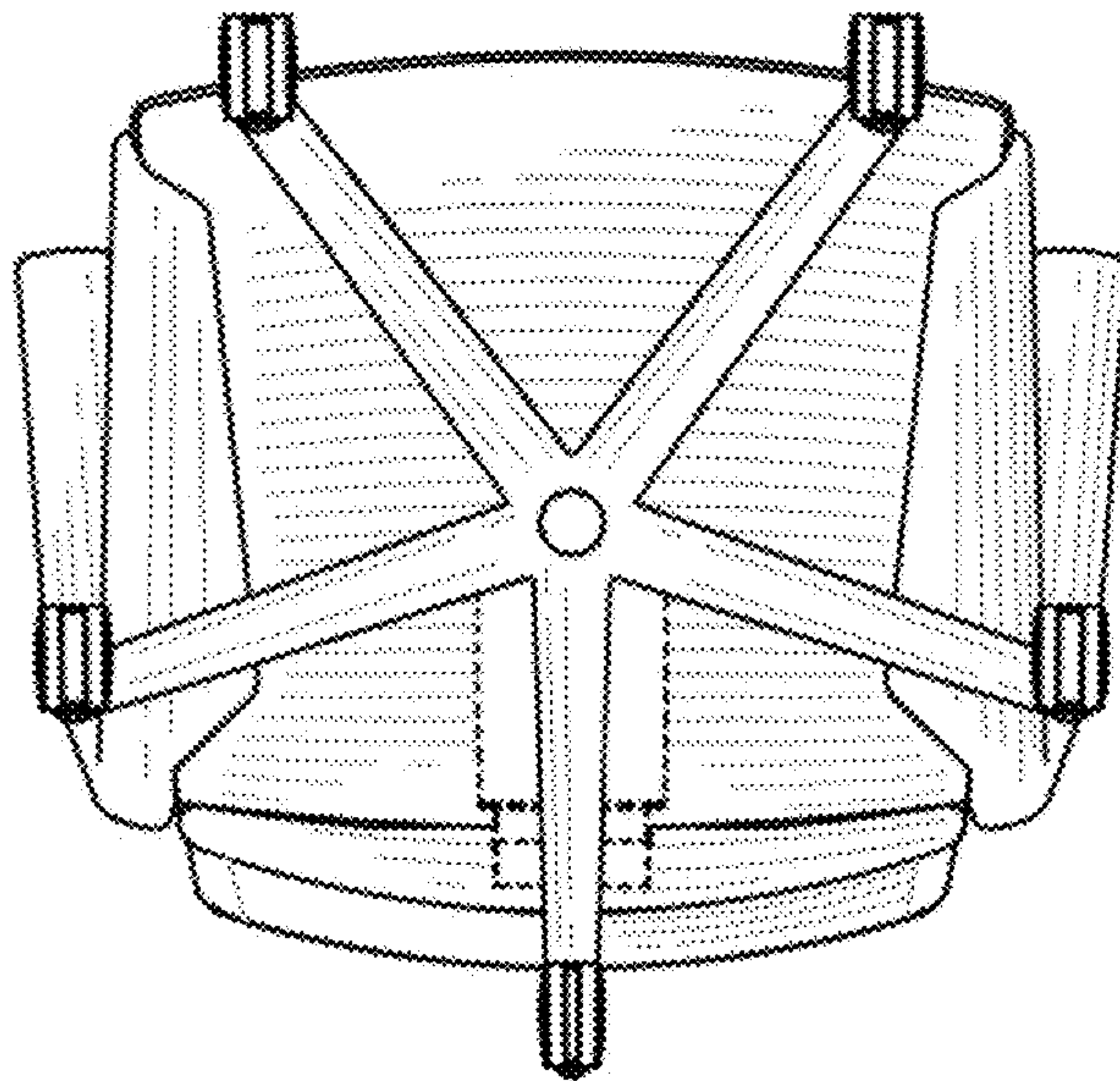


FIG. 8